



US00D371040S

# United States Patent [19]

Matoba et al.

[11] Patent Number: **Des. 371,040**

[45] Date of Patent: **\*\*Jun. 25, 1996**

[54] MICROWAVE OVEN

[75] Inventors: **Hisayoshi Matoba**, Nara; **Norikazu Ozaki**, Kashiba; **Tatsuyoshi Asawa**, Yamatokoriyama, all of Japan

[73] Assignee: **Matsushita Electric Industrial Co., Ltd.**, Osaka, Japan

[\*\*] Term: **14 Years**

[21] Appl. No.: **30,119**

[22] Filed: **Nov. 1, 1994**

### [30] Foreign Application Priority Data

May 6, 1994 [JP] Japan ..... 6-12905

[52] U.S. Cl. .... **D7/351**

[58] Field of Search ..... D7/350, 351; 126/275 R, 126/275 E, 19 M, 21 A; 219/391, 402, 10.55 R, 10.55 A, 756-758

### [56] References Cited

#### U.S. PATENT DOCUMENTS

- D. 302,227 7/1989 Kubo et al. .... D7/351
- D. 304,150 10/1989 Kubo et al. .... D7/351

- D. 305,087 12/1989 Ichihara et al. .... D7/351
- D. 312,944 12/1990 Kubo et al. .... D7/351
- D. 312,945 12/1990 Kubo et al. .... D7/351
- D. 321,454 11/1991 Matoba et al. .
- D. 353,074 12/1994 Ozaki et al. .... D7/351
- D. 353,510 12/1994 Nakamura ..... D7/351
- D. 353,511 12/1994 Saimen ..... D7/351

*Primary Examiner*—Ruth McInroy  
*Attorney, Agent, or Firm*—Sughrue, Mion, Zinn, Macpeak & Seas

### [57] CLAIM

The ornamental design for a microwave oven, as shown.

### DESCRIPTION

FIG. 1 is a perspective view of the top, front and right side of a microwave oven showing our new design; FIG. 2 is a front elevational view thereof; FIG. 3 is a right side elevational view thereof; FIG. 4 is a left side elevational view thereof; FIG. 5 is a top plan view thereof; FIG. 6 is a rear elevational view thereof; and, FIG. 7 is a bottom plan view thereof.

**1 Claim, 4 Drawing Sheets**

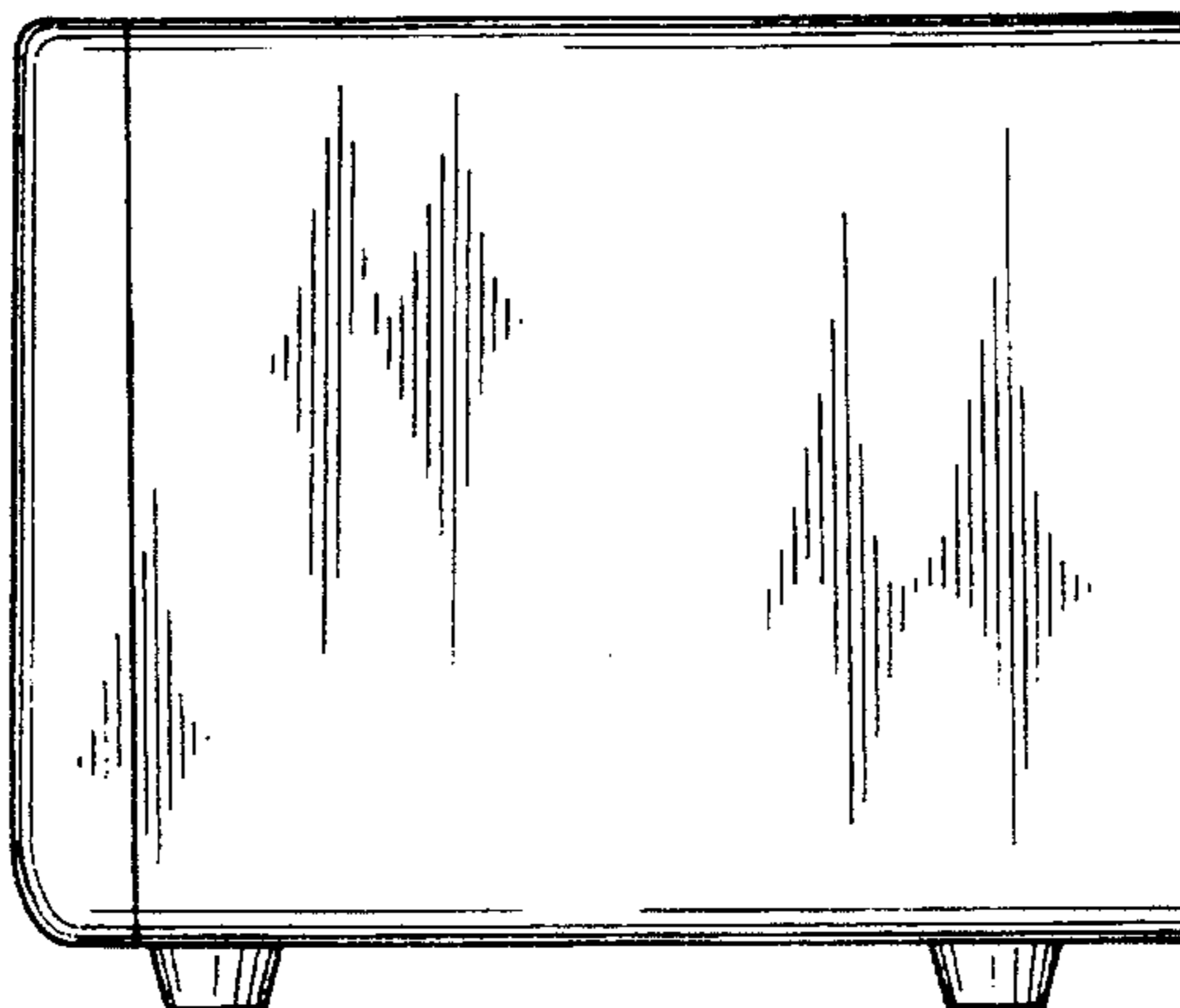
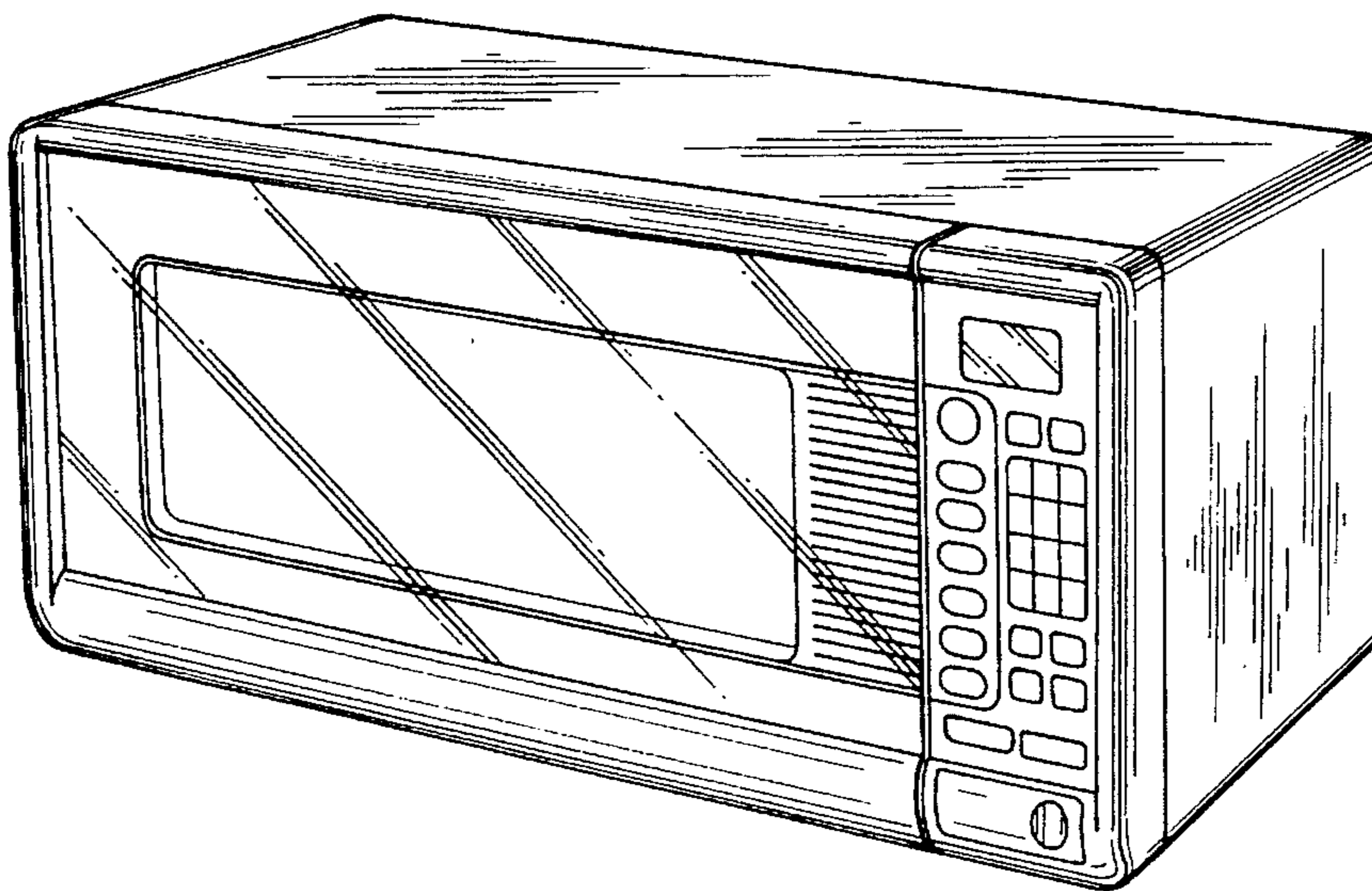


FIG. 1

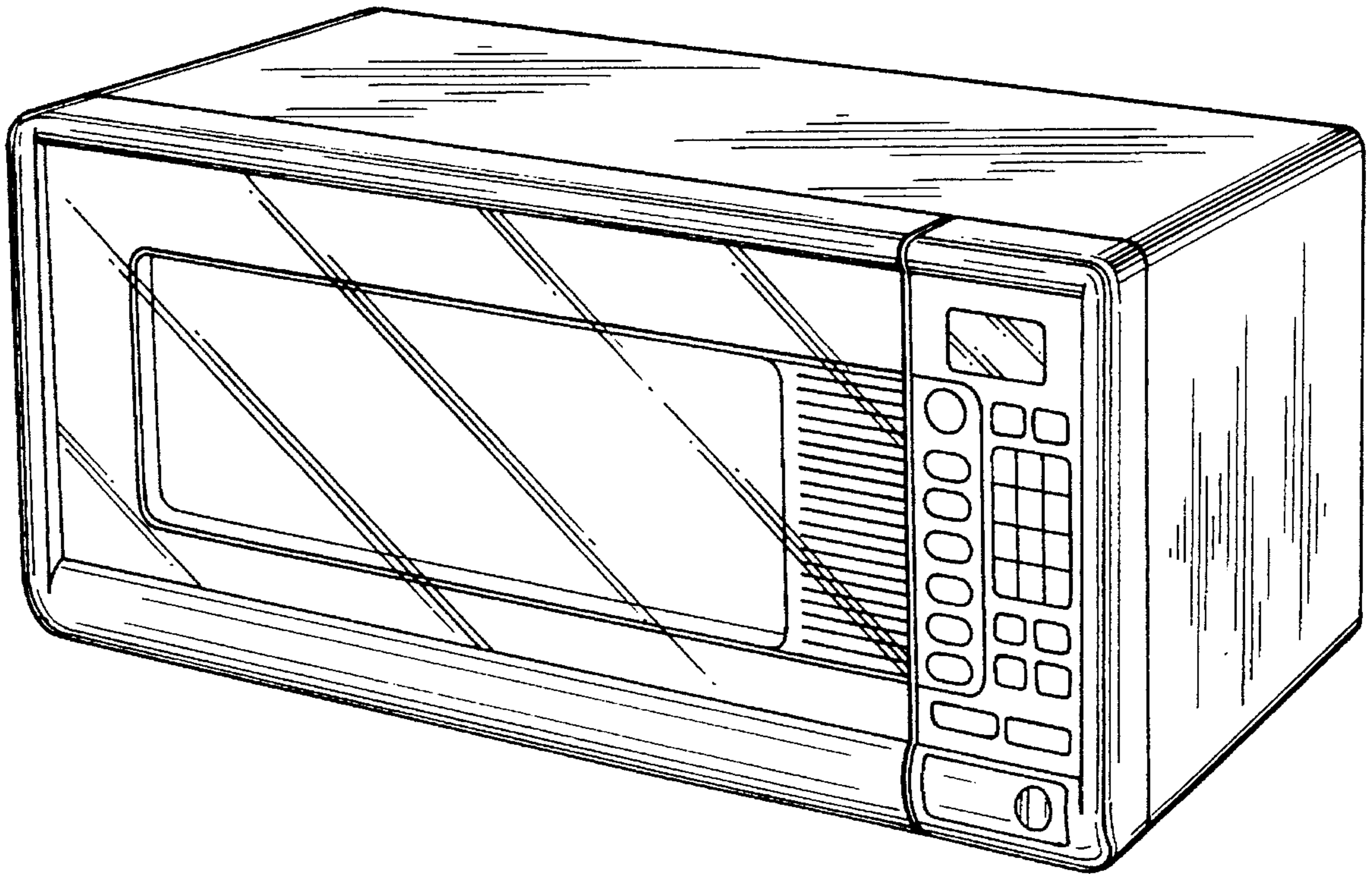
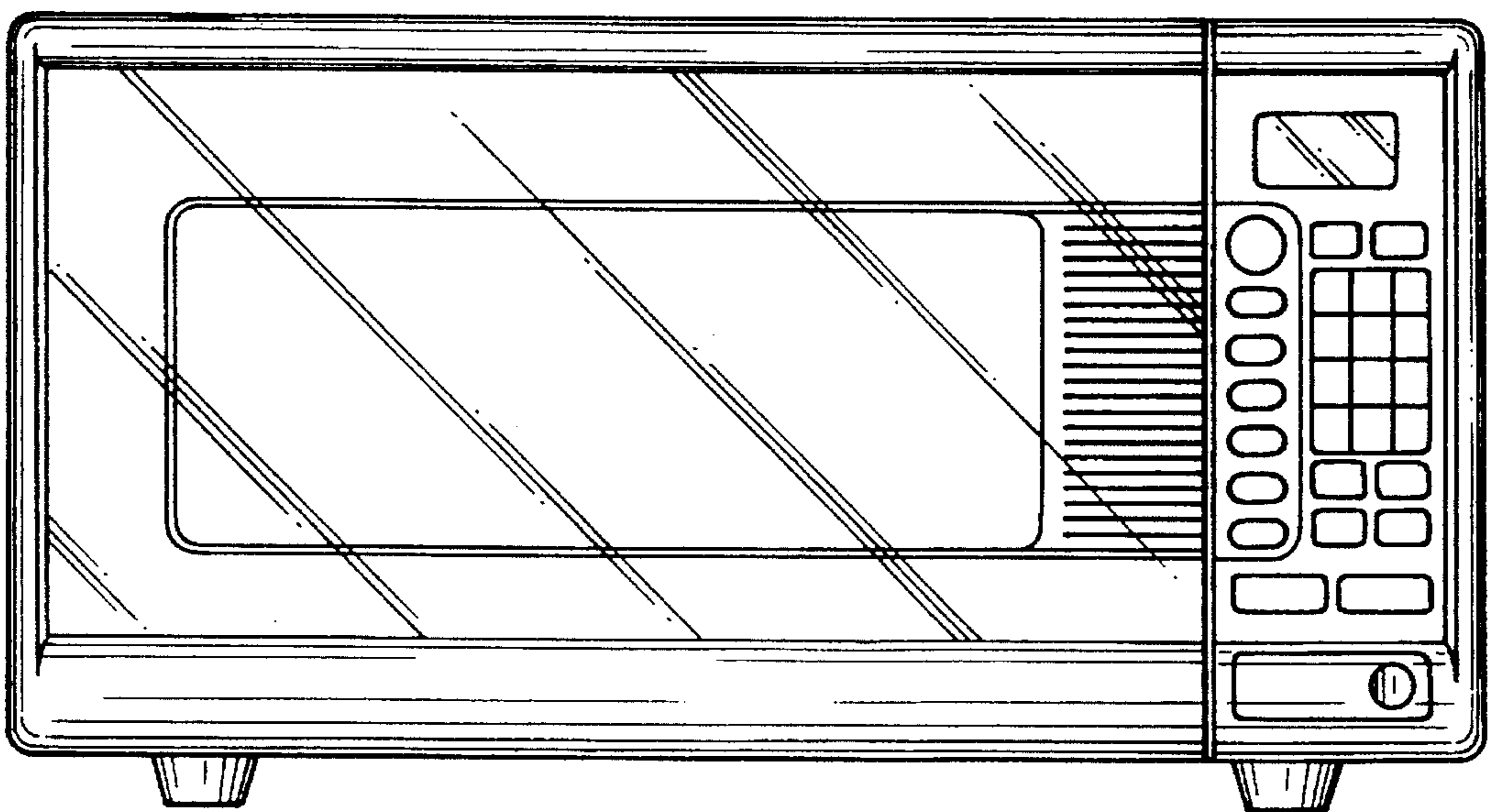
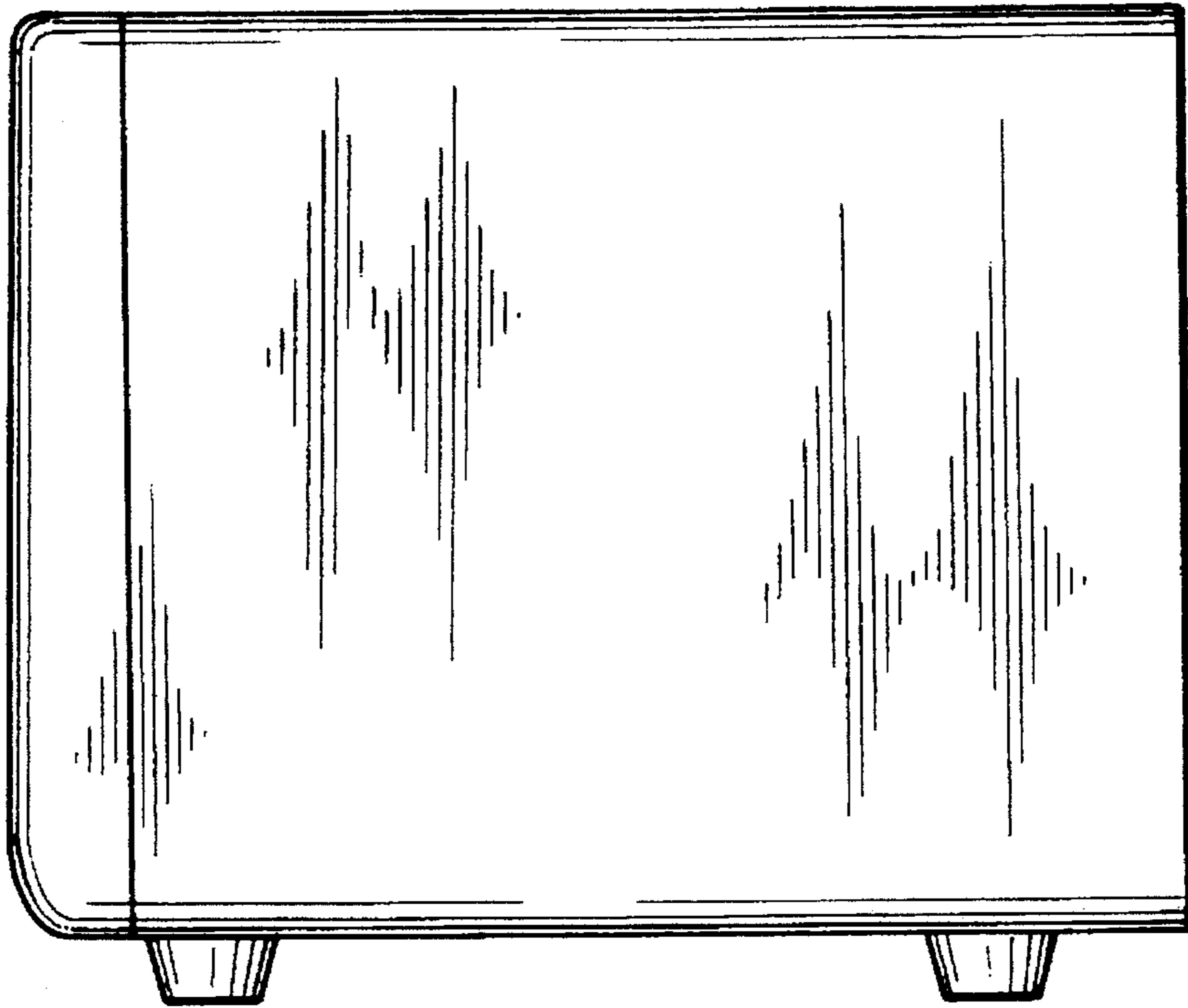


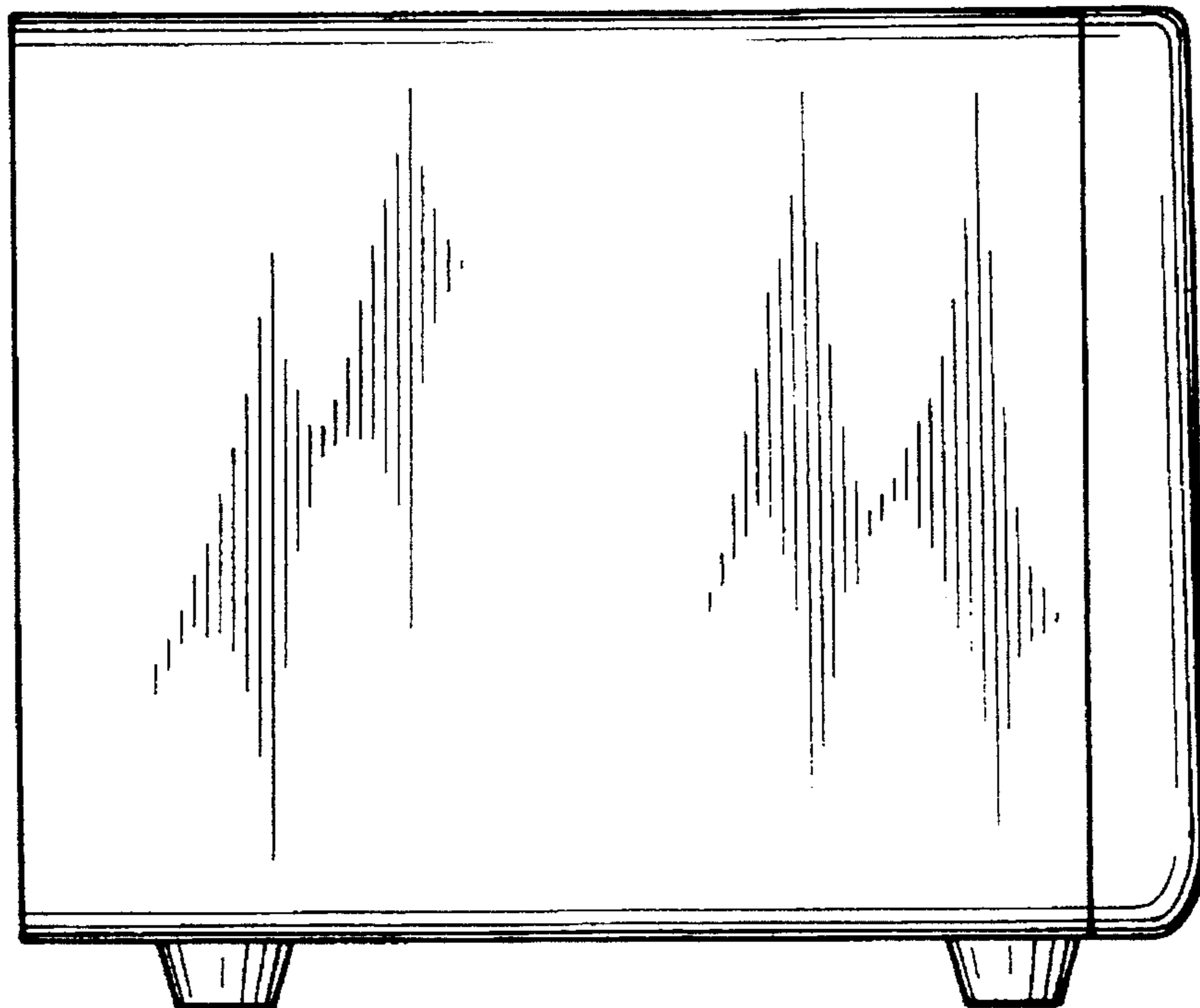
FIG. 2



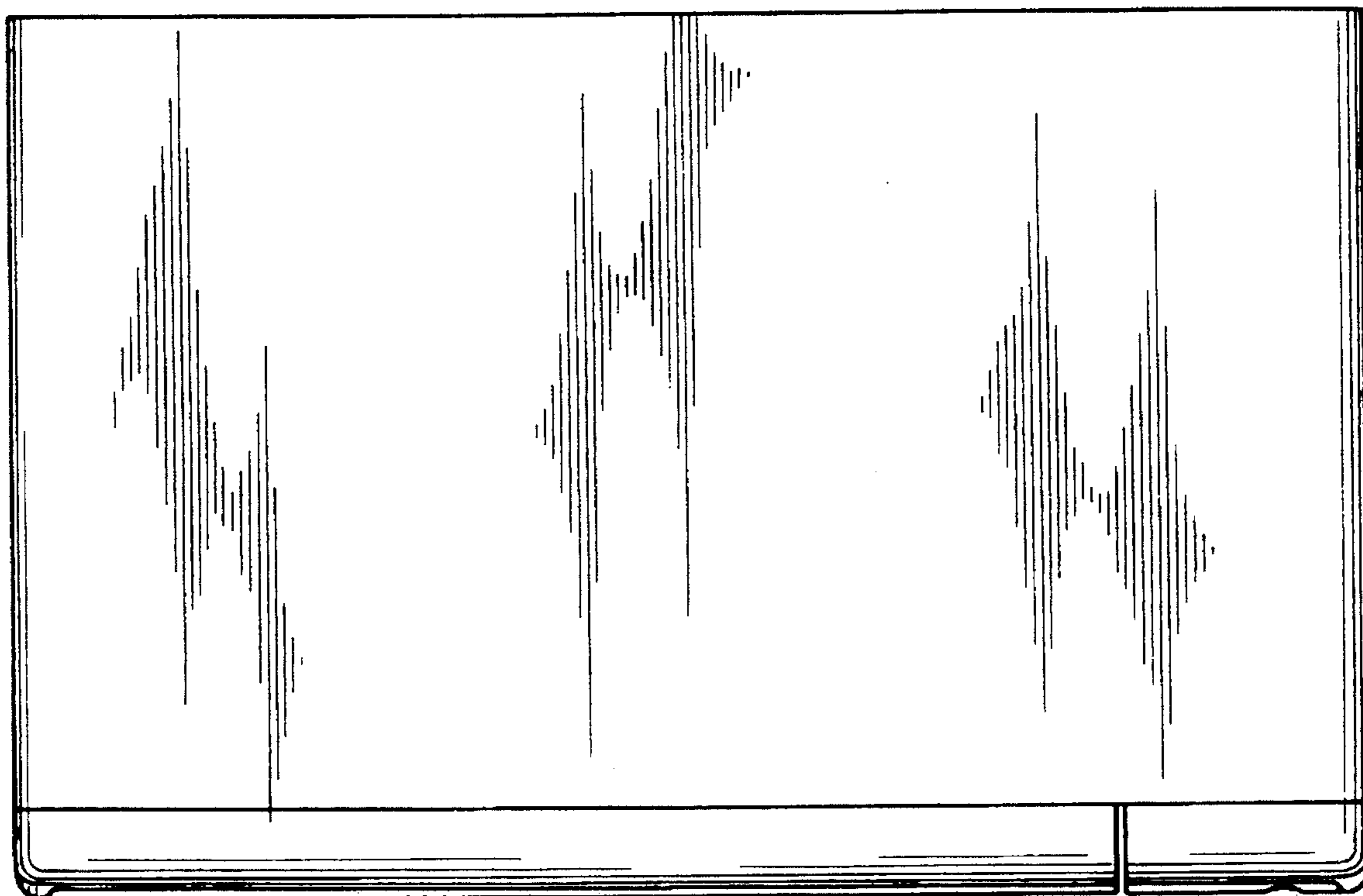
*FIG. 3*



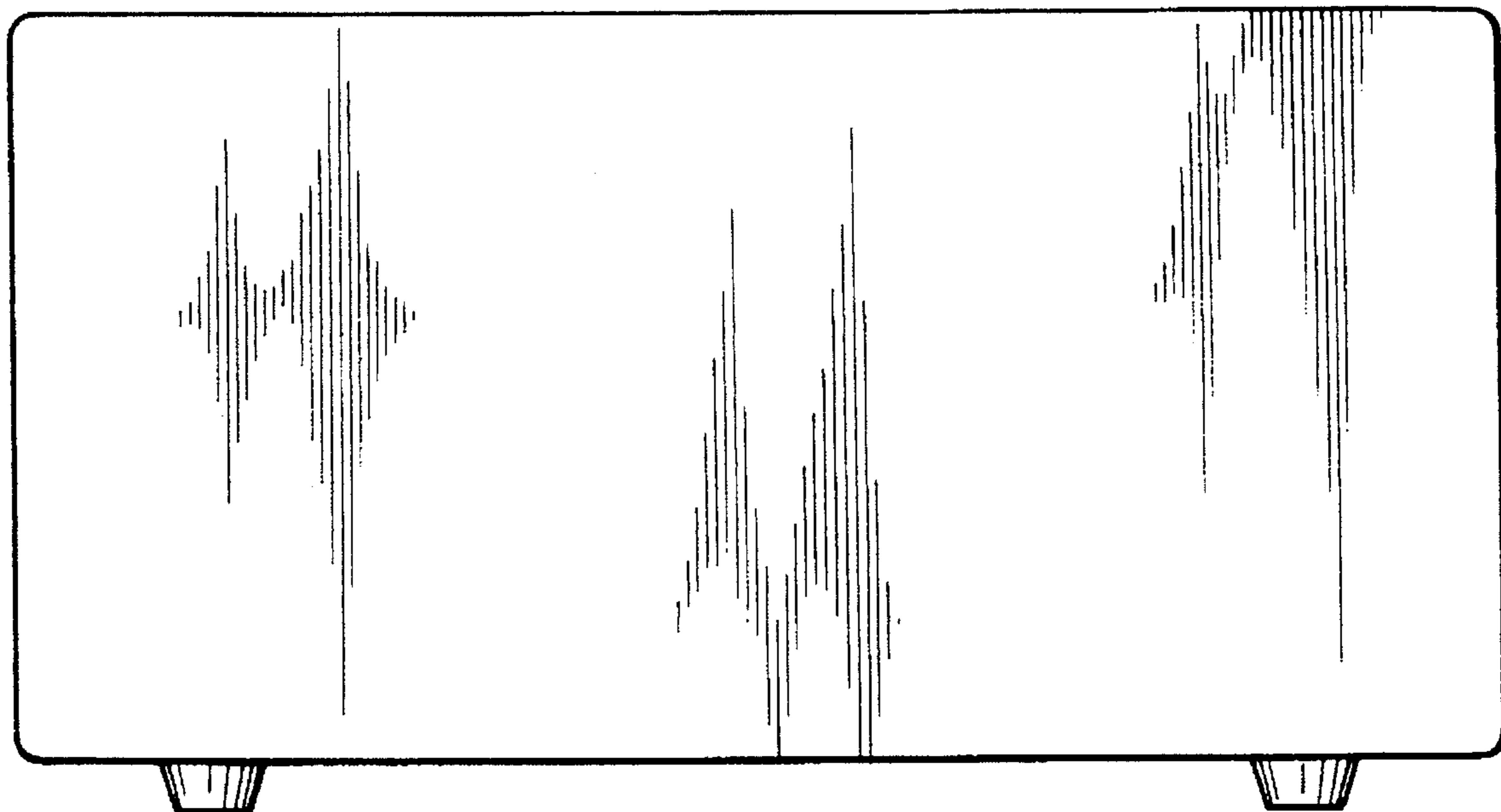
*FIG. 4*



*FIG. 5*



*FIG. 6*



*FIG. 7*

