



US00D371036S

United States Patent [19] Sandberg

[11] Patent Number: **Des. 371,036**

[45] Date of Patent: ****Jun. 25, 1996**

[54] **HOLDER FOR CD RECORDS**

[76] Inventor: **Ove Sandberg**, Bultgatan 22, S-442 40 Kungälv, Sweden

[**] Term: **14 Years**

[21] Appl. No.: **18,652**

[22] Filed: **Feb. 14, 1994**

[30] **Foreign Application Priority Data**

Aug. 11, 1993 [SE] Sweden 93-1763

[52] U.S. Cl. **D6/629**

[58] Field of Search D6/396, 405, 407, D6/626, 629, 630, 462, 466, 467, 468, 477, 478, 479; D14/120, 121; D19/8, 27, 75, 76, 91; 206/387; 211/40, 41, 42

[56] **References Cited**

U.S. PATENT DOCUMENTS

D. 306,663	3/1990	Larsen	D6/407
D. 333,225	2/1993	Robinson	D6/450 X
D. 342,395	12/1993	Huang	D6/407
3,889,817	6/1975	Berkman	211/40 X
5,195,642	3/1993	Dardashti	211/41

Primary Examiner—Alan P. Douglas

Assistant Examiner—S. Snapp

Attorney, Agent, or Firm—Evenson, McKeown, Edwards & Lenahan

[57] **CLAIM**

The ornamental design for a holder for cd records, as shown and described.

DESCRIPTION

FIG. 1 is a perspective view of a holder for CD records embodying my new design;

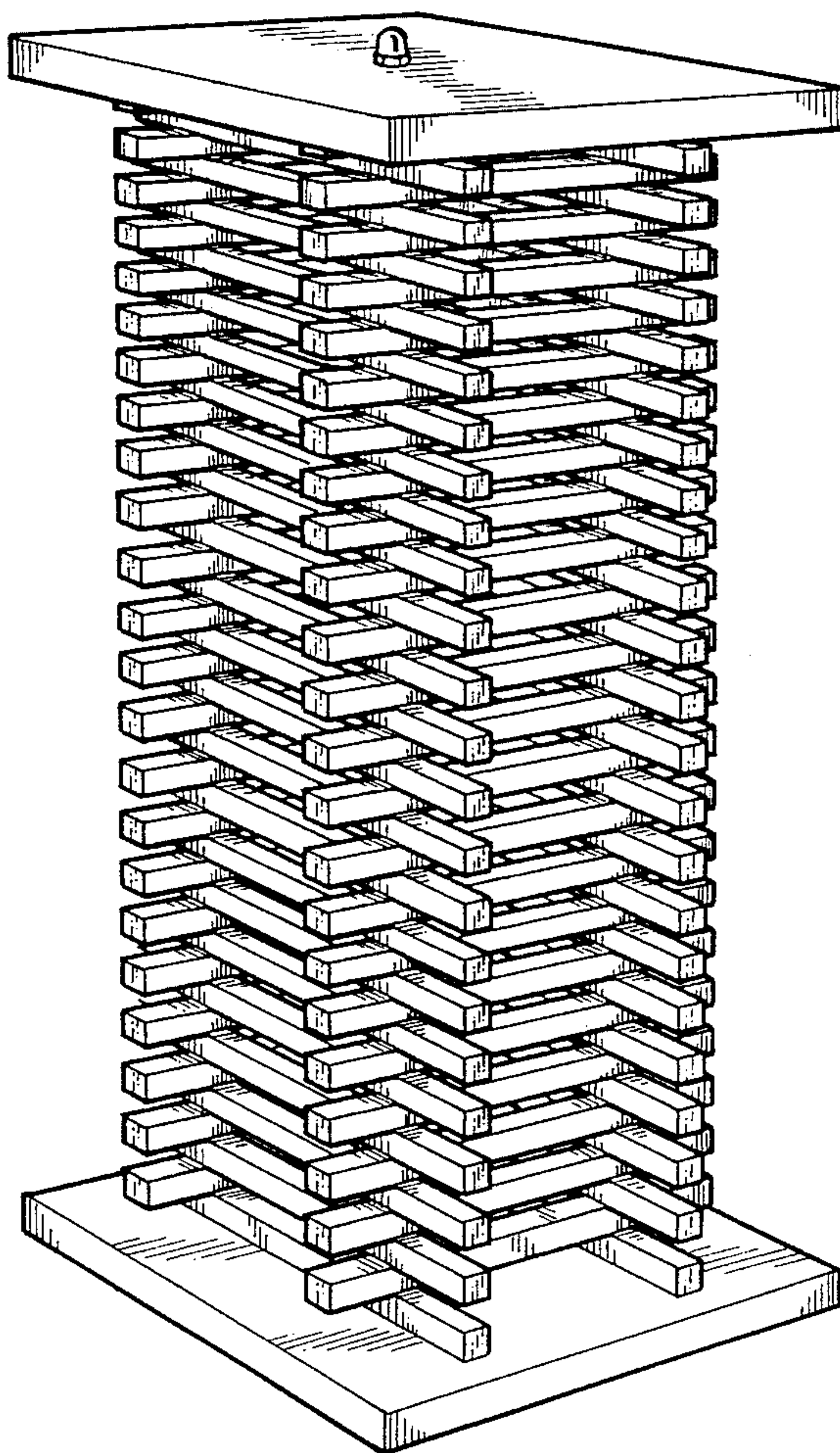
FIG. 2 is a perspective view of another embodiment of a holder for CD records embodying my new design;

FIG. 3 is a perspective view of a completing part for a holder for CD records, with the square plates which are located on the top and bottom of the complete holder for CD records not shown for ease of illustration; and,

FIG. 4 is a perspective view of a basic part for constructing a holder for CD records, with the square plates which are located on the top and bottom of the complete holder for CD records not shown for ease of illustration.

The “completing part” of FIG. 3 is made of three “basic parts” as shown in FIG. 4 mounted together. The completed holder for CD records has square formed plates at the top and bottom, with a central pin bolt fastening the complete assembly.

1 Claim, 4 Drawing Sheets



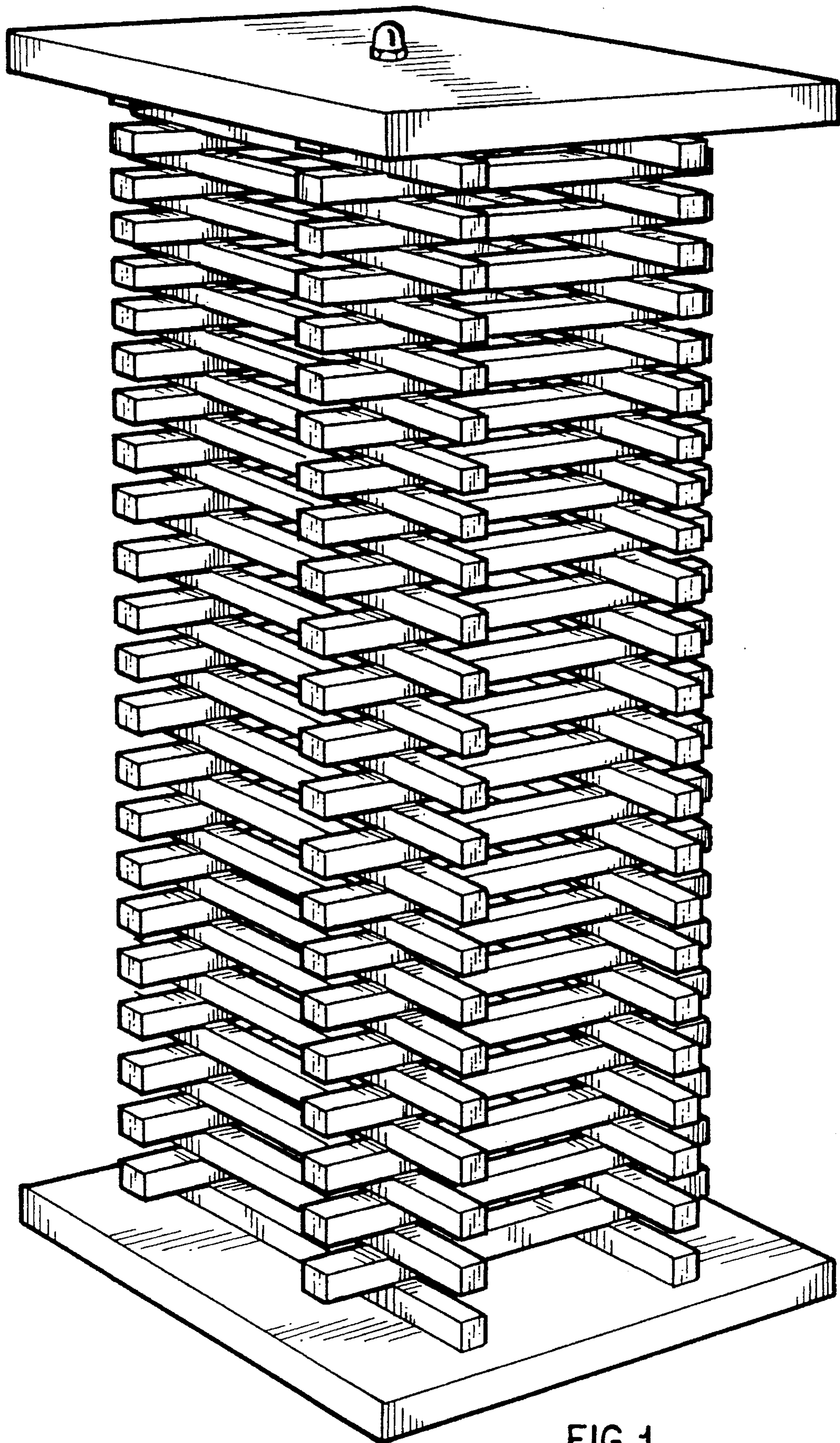


FIG. 1

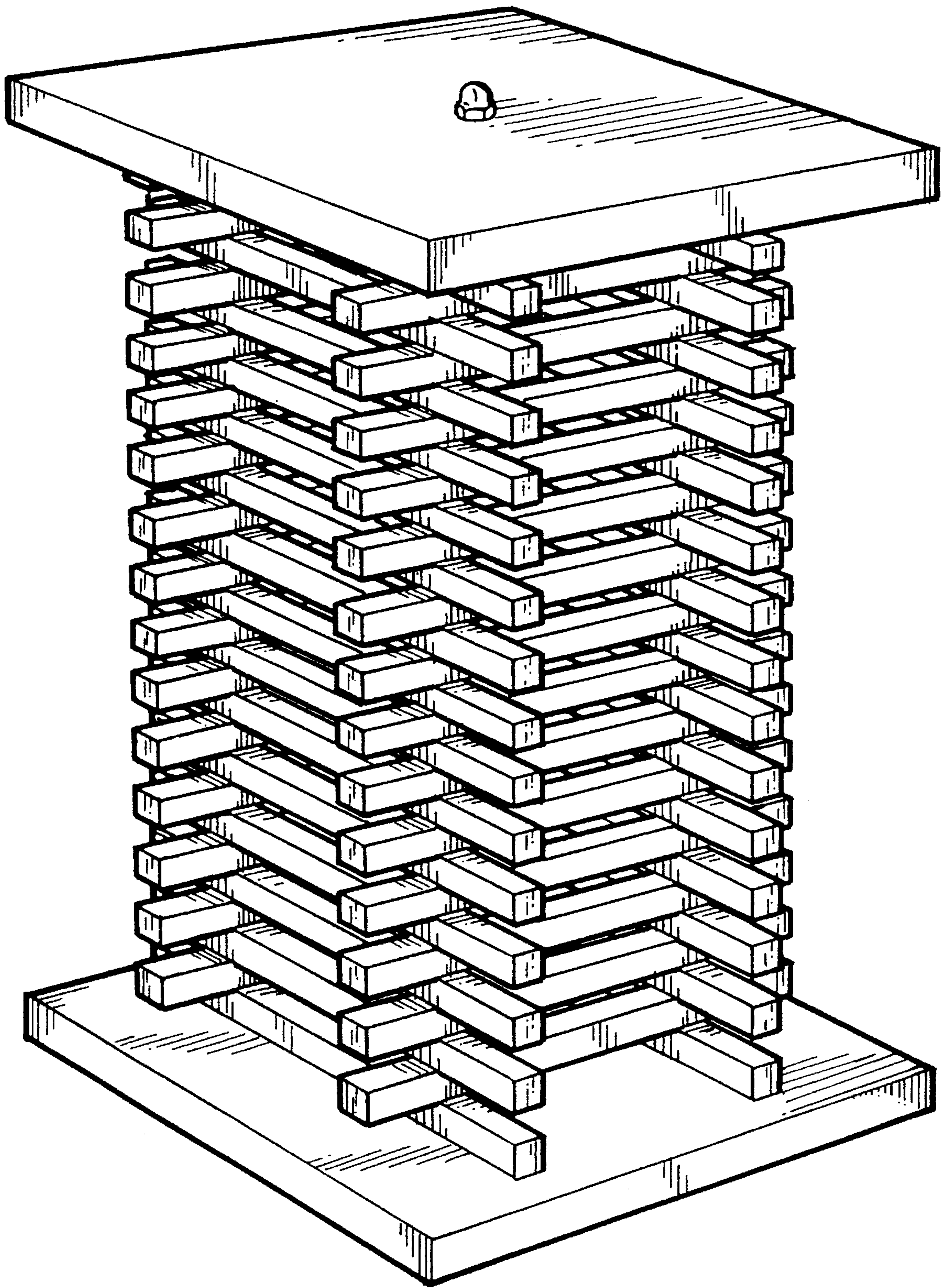


FIG. 2

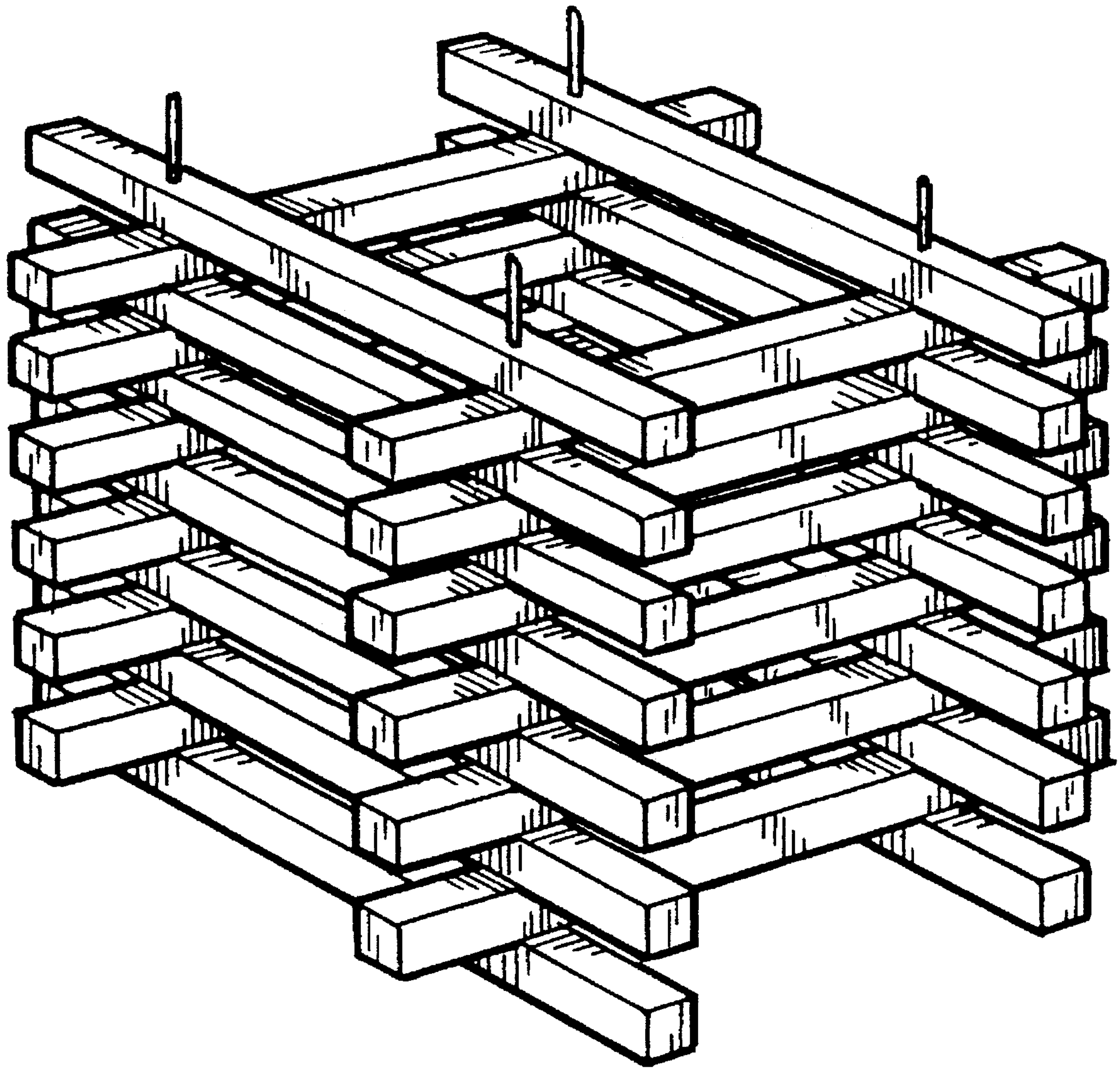


FIG. 3

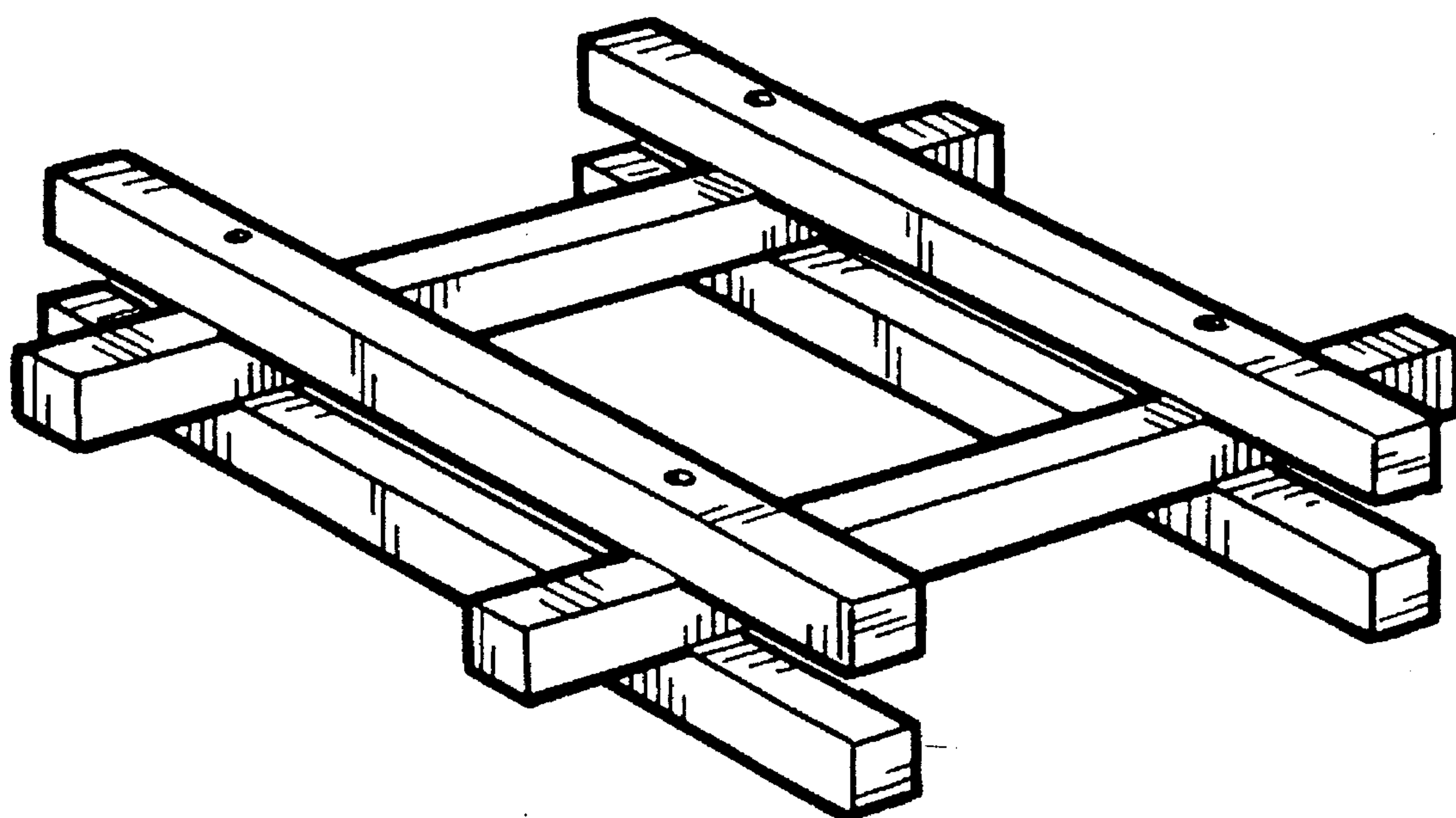


FIG. 4