



US00D371031S

United States Patent [19]

[11] Patent Number: **Des. 371,031**

Munoz et al.

[45] Date of Patent: ****Jun. 25, 1996**

[54] **SHOWER CADDY**

[75] Inventors: **Raul Munoz**, Chicago, Ill.; **Robert P. Welsh**, Wilmington, Del.; **Robert W. Matthes**, Mechanicsville, Pa.

[73] Assignee: **Selfix, Inc.**, Chicago, Ill.

[**] Term: **14 Years**

[21] Appl. No.: **42,369**

[22] Filed: **Aug. 9, 1995**

[52] U.S. Cl. **D6/525**

[58] Field of Search D6/524-525, 566;
211/88, 106, 113, 119, 181

[56] **References Cited**

U.S. PATENT DOCUMENTS

D. 251,522	4/1979	Chapman	D6/525
D. 294,902	3/1988	Sussman	D6/525
D. 315,840	4/1991	Emery	D6/525
D. 320,134	9/1991	Emery	D6/525
D. 340,604	10/1993	Conaway et al.	D6/525
3,789,996	2/1974	Stroh	211/181

Primary Examiner—Brian N. Vinson
Attorney, Agent, or Firm—Dressler, Goldsmith, Shore & Milnamow, Ltd.

[57] **CLAIM**

The ornamental design for a shower caddy, as shown and described.

DESCRIPTION

FIG. 1 is a perspective view of a shower caddy showing our new design;
FIG. 2 is a front elevational view of the shower caddy shown in FIG. 1;
FIG. 3 is a rear elevational view of the shower caddy shown in FIG. 1;
FIG. 4 is a right side elevational view of the shower caddy shown in FIG. 1, the left side elevational view being the mirror image thereof;
FIG. 5 is a top plan view of the shower caddy shown in FIG. 1; and,
FIG. 6 is a bottom plan view of the shower caddy shown in FIG. 1.

1 Claim, 5 Drawing Sheets

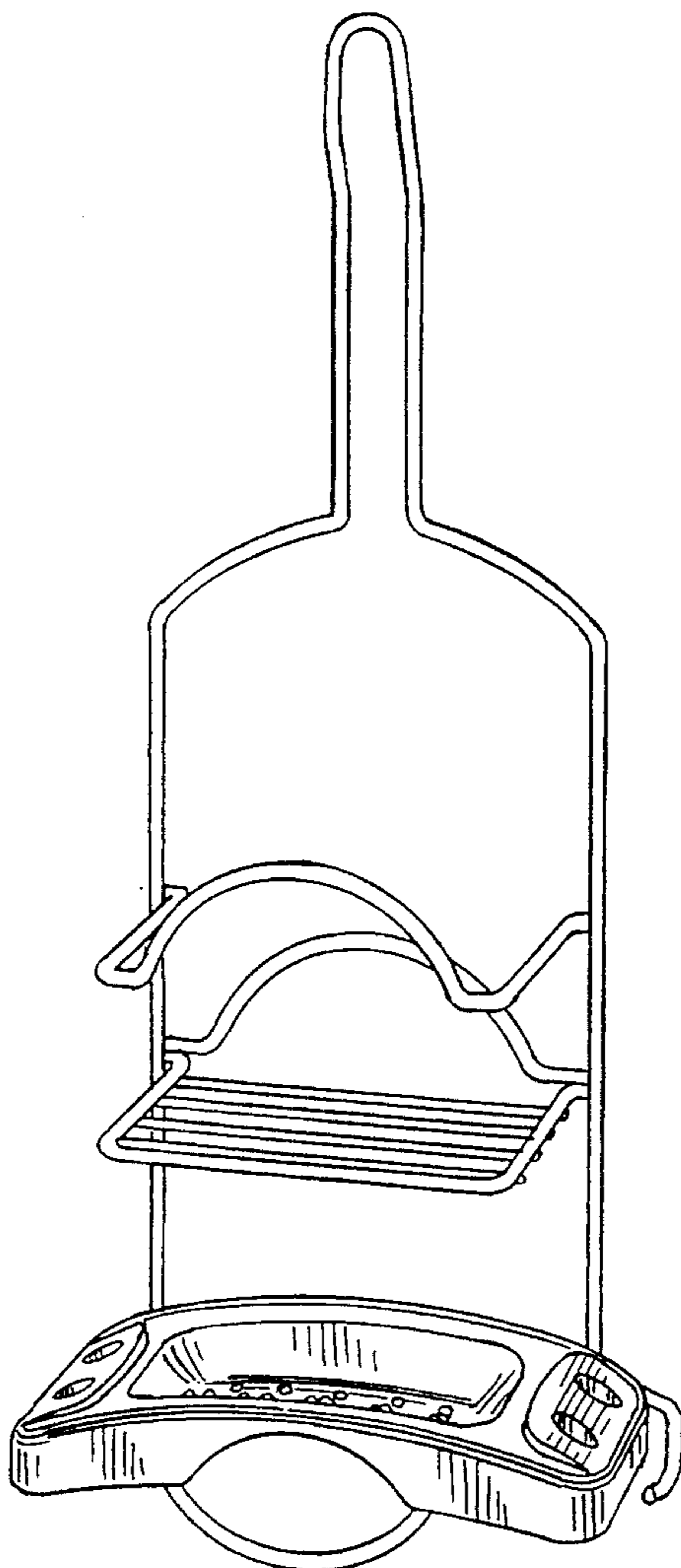


FIG. 1

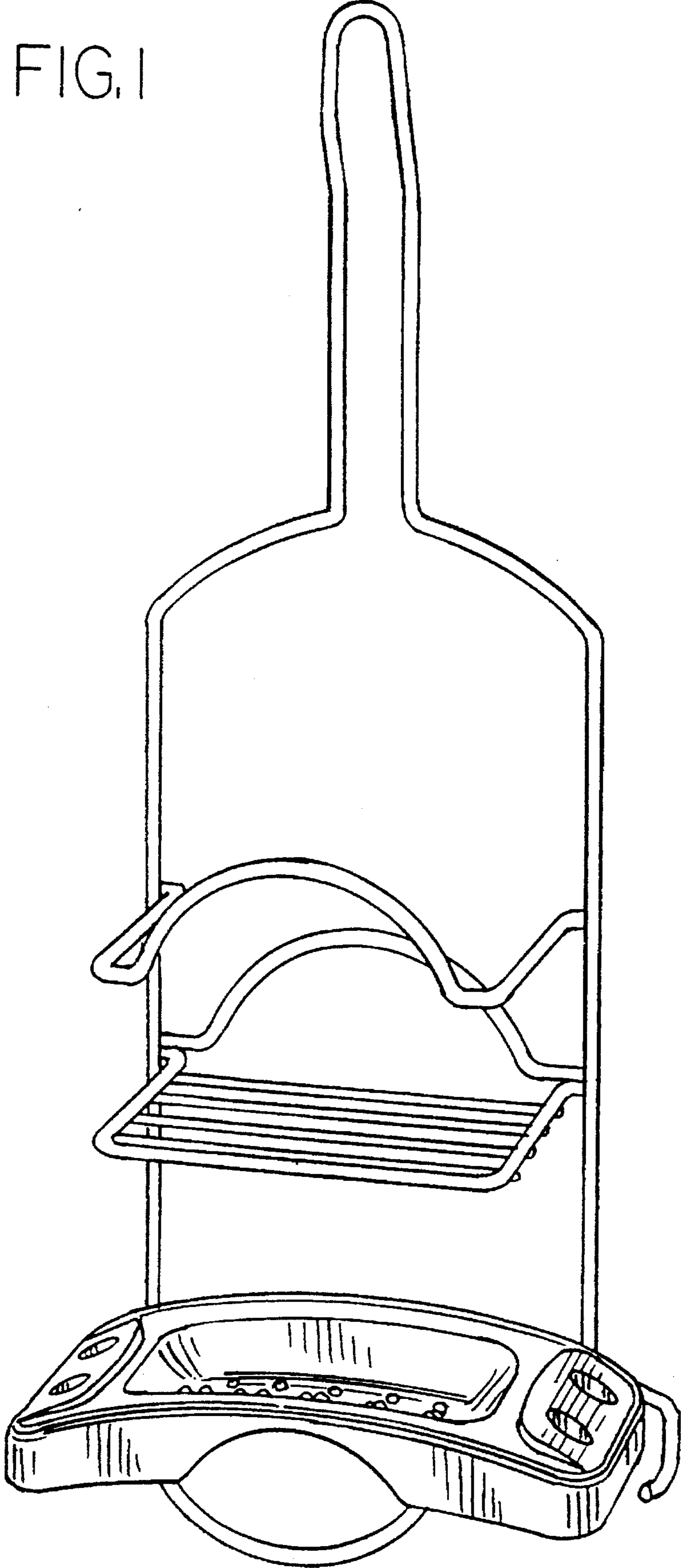


FIG. 2

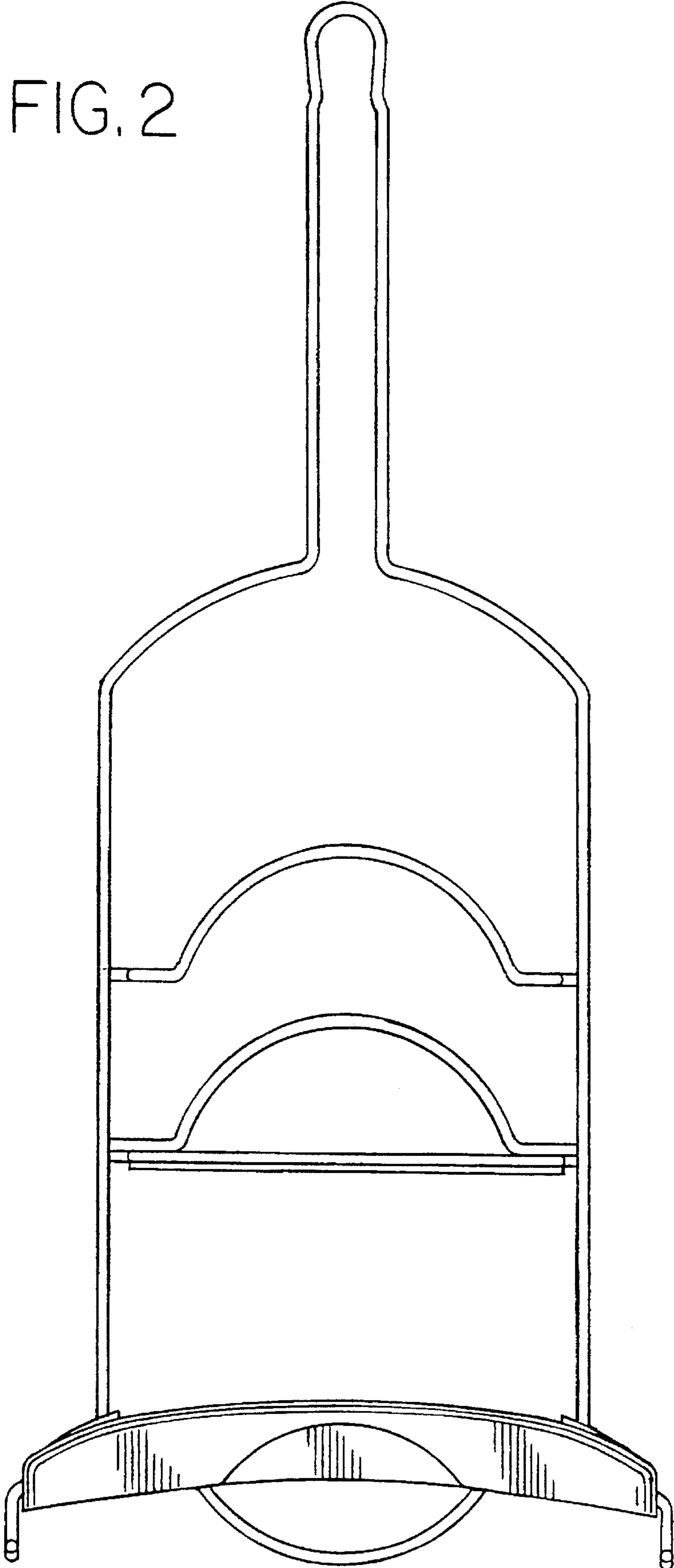


FIG. 3

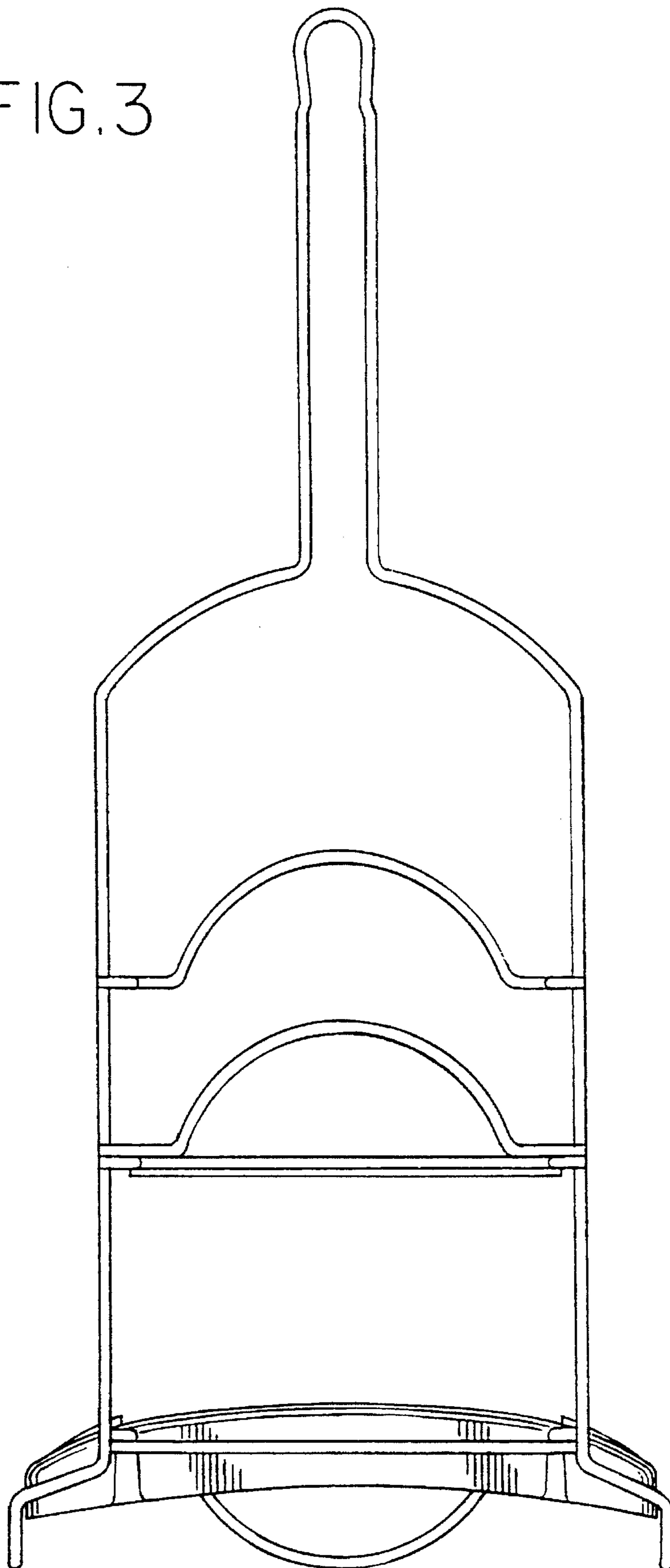


FIG. 4

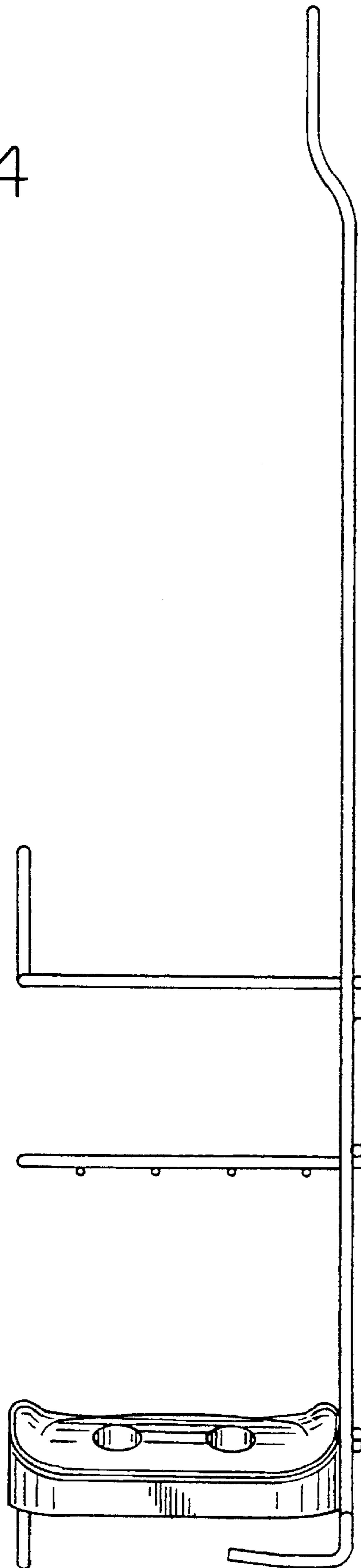


FIG. 5

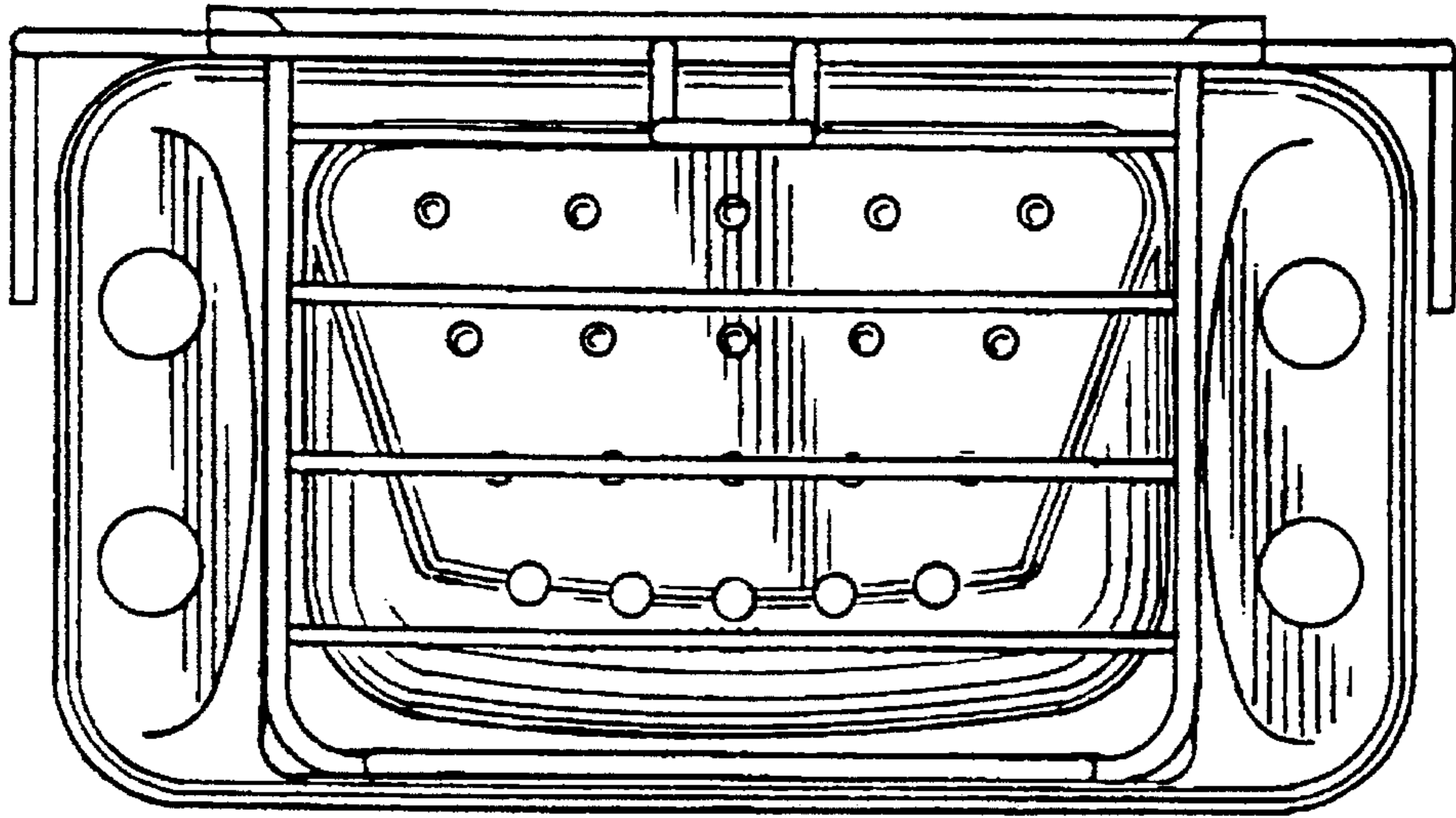


FIG. 6

