



US00D371029S

United States Patent [19]
Pagett

[11] **Patent Number: Des. 371,029**

[45] **Date of Patent: **Jun. 25, 1996**

[54] **CORNER DESK FOR COMPUTER AIDED DESIGN**

[76] Inventor: **Michael G. Pagett**, 88 Cottage St., Trumbull, Conn. 06611-2830

[**] Term: **14 Years**

[21] Appl. No.: **25,791**

[22] Filed: **Jul. 11, 1994**

[52] U.S. Cl. **D6/511; D6/482**

[58] **Field of Search** D6/480-489, 495, D6/498, 499, 511, 429, 422-428; 108/153, 156, 161; 248/188, 188.1

[56] **References Cited**

U.S. PATENT DOCUMENTS

D. 220,802	5/1971	Hedges et al.	D6/480
D. 331,678	12/1992	McCann, Jr.	D6/482
D. 346,913	5/1994	Lechman et al.	D6/427
D. 353,959	1/1995	Kovacevic	D6/482

OTHER PUBLICATIONS

G. F. Furniture Systems, Open Plan Solutions, ©1986, inside rear cover, Arc Table at top right.
Micro Computer Access., by Rubbermaid, © 1991, "L" with printer workstation at bottom and center.

All-Steel, 8900 series, ©1985, workstation.
Advertisement by Mayline/Hamilton, Sheboygan WI, Apr. 1991.

Advertisement by Hon. Date unknown.
Advertisement by M&M. Date unknown.
Advertisement by Marvel. Date unknown.

Primary Examiner—Janice E. Seeger
Attorney, Agent, or Firm—John H. Crozier

[57] **CLAIM**

The ornamental design for a corner desk for computer aided design, as shown and described.

DESCRIPTION

FIG. 1 is a front/top/right side/left side isometric view of a corner desk for computer aided design showing my new design;

FIG. 2 is a top plan view thereof;

FIG. 3 is a bottom plan view view thereof;

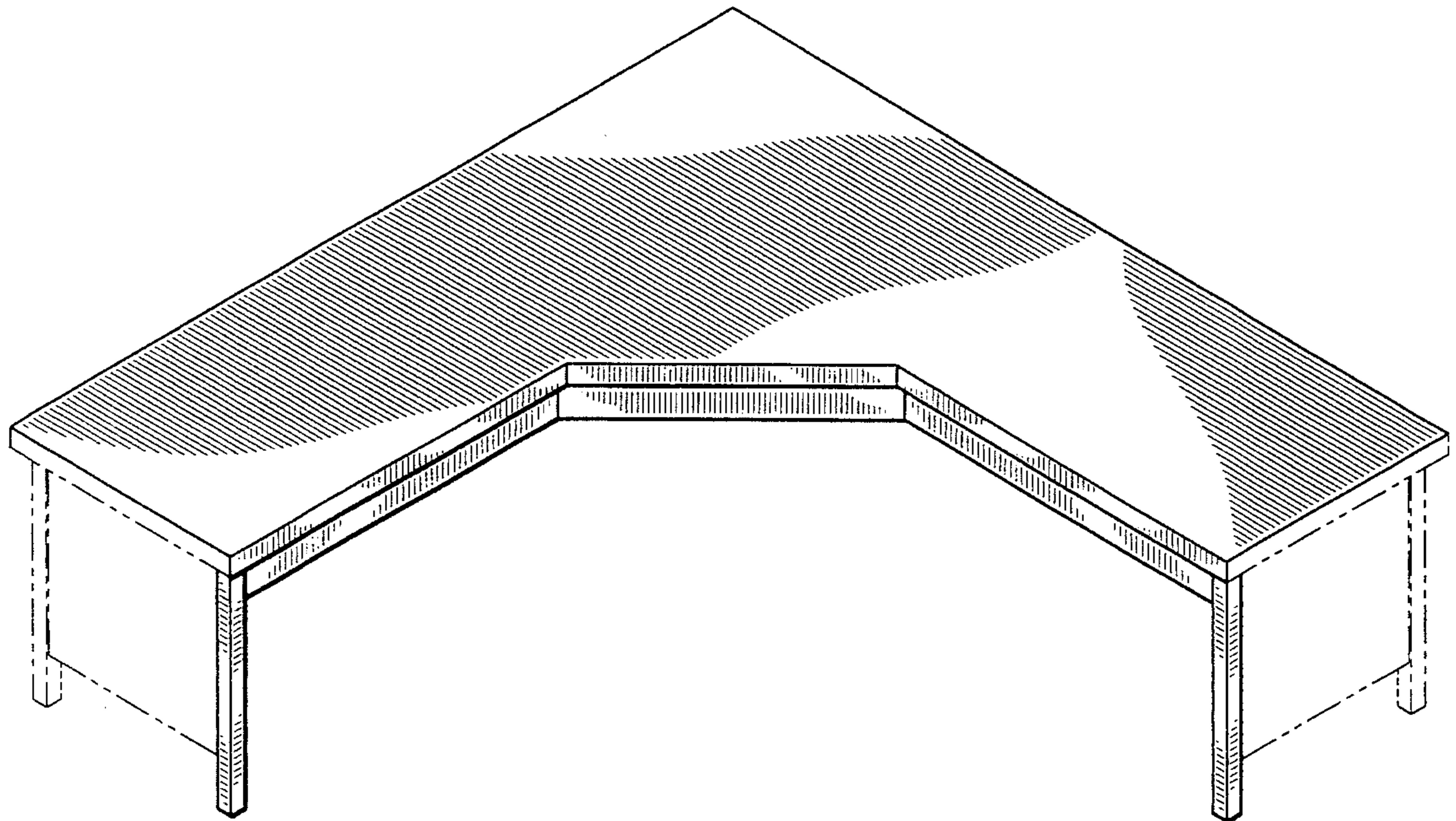
FIG. 4 is a front elevational view thereof;

FIG. 5 is a right side elevational view thereof; and,

FIG. 6 is a left side elevational view thereof.

The broken lines are for environmental purposes only and form no part of the claimed design.

1 Claim, 4 Drawing Sheets



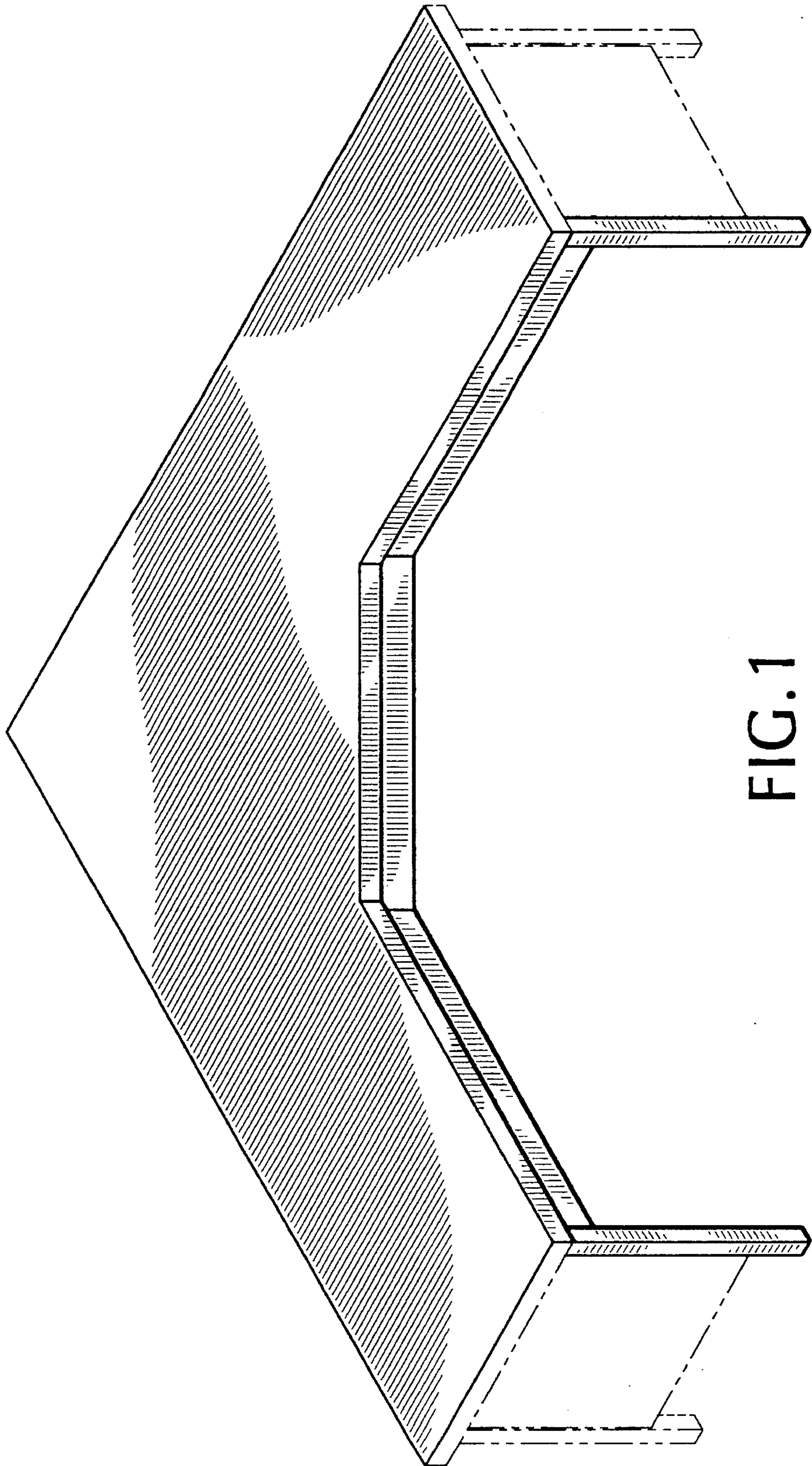


FIG. 1

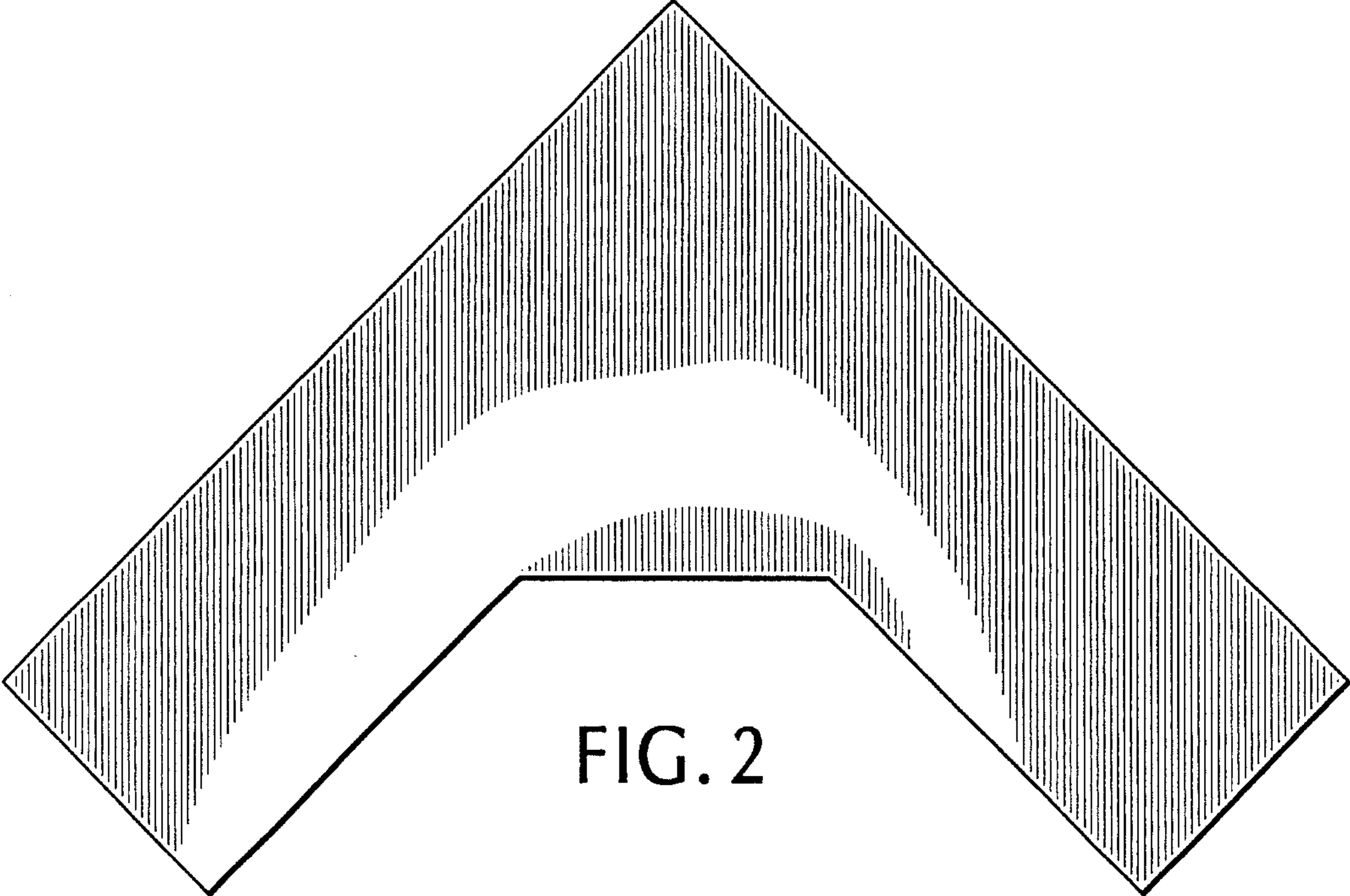


FIG. 2

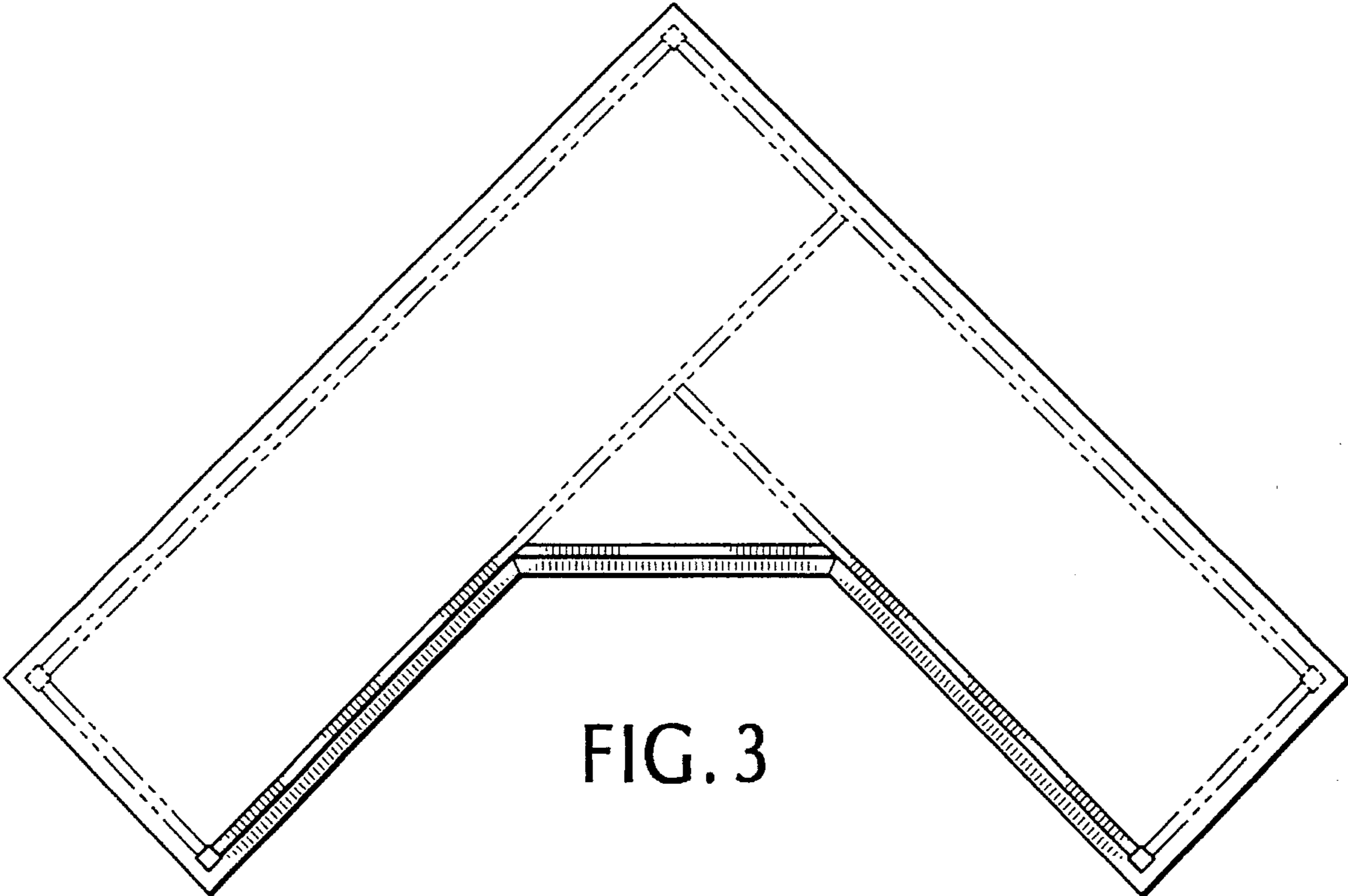


FIG. 3

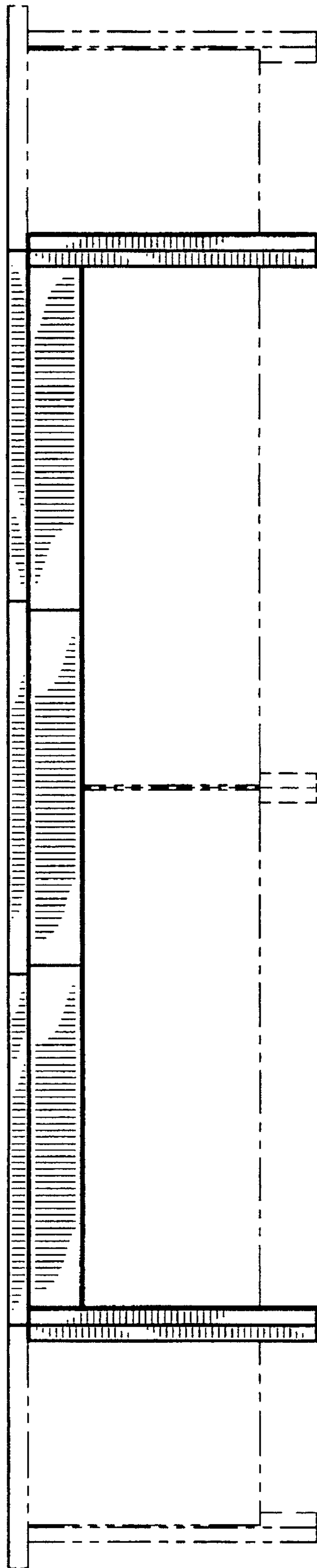


FIG. 4

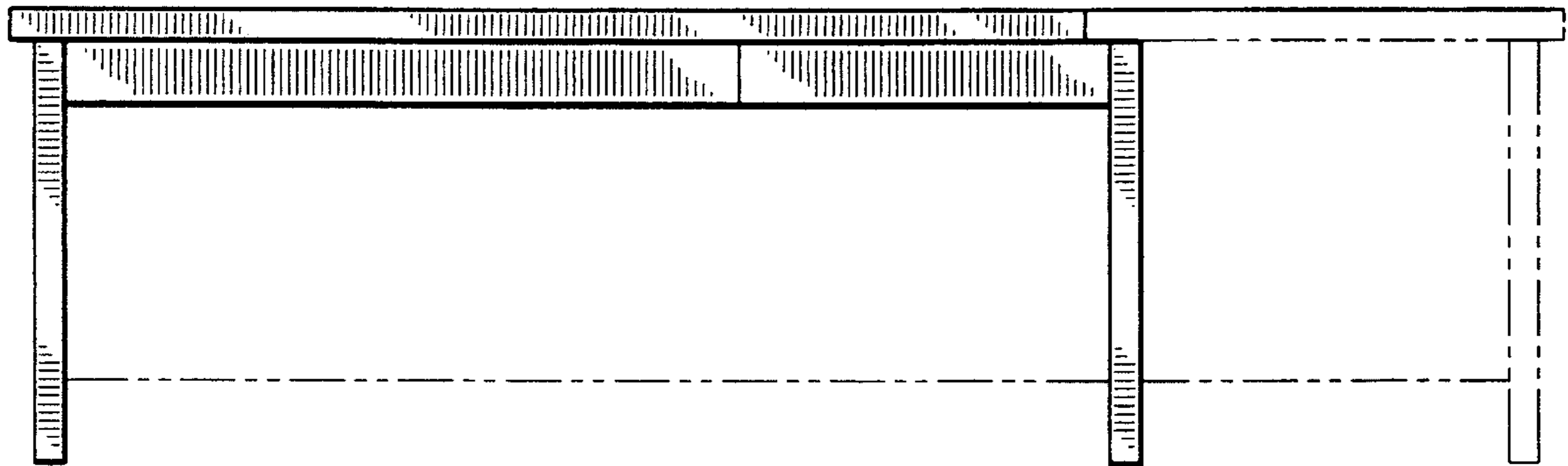


FIG. 5

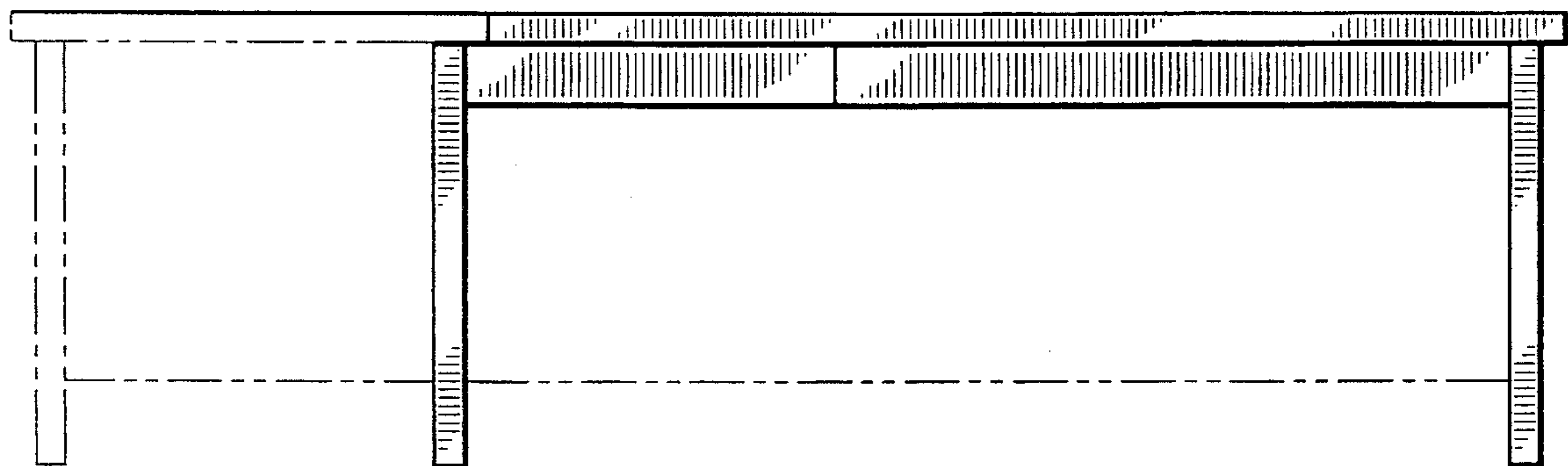


FIG. 6