



US00D371028S

United States Patent [19]

[11] **Patent Number: Des. 371,028**

Keller et al.

[45] **Date of Patent: **Jun. 25, 1996**

[54] **FURNITURE PANEL**

[57] **CLAIM**

[75] Inventors: **H. Thomas Keller; Tim O'Hare**, both of High Point, N.C.

The ornamental design for furniture panel, as shown and described.

[73] Assignee: **Pennsylvania House, Inc.**, Lewisburg, Pa.

DESCRIPTION

[**] Term: **14 Years**

FIG. 1 is a front perspective view of my new furniture panel; FIG. 2 is a front elevational view of the furniture panel of FIG. 1.

[21] Appl. No.: **37,548**

FIG. 3 is a side elevational view of the furniture panel of FIG. 1.

[22] Filed: **Apr. 17, 1995**

FIG. 4 is a front perspective view of a second embodiment of my new furniture panel;

[52] U.S. Cl. **D6/505**; D6/492

FIG. 5 is a front elevational view of the furniture panel of FIG. 4;

[58] Field of Search D6/382-384, 388, D6/390-395, 505-508; 5/53.1, 279.1, 280, 907

FIG. 6 is a side elevational view of the furniture panel of FIG. 4;

[56] **References Cited**

U.S. PATENT DOCUMENTS

D. 116,244	8/1939	Shurcliff	D6/393
D. 277,909	3/1985	West	D6/507
D. 340,372	10/1993	Ball	D6/505
D. 341,498	11/1993	Ball	D6/393
2,806,228	9/1957	Ziegenfuss	5/2.1

FIG. 7 is a rear elevational view of the furniture panel of FIG. 4;

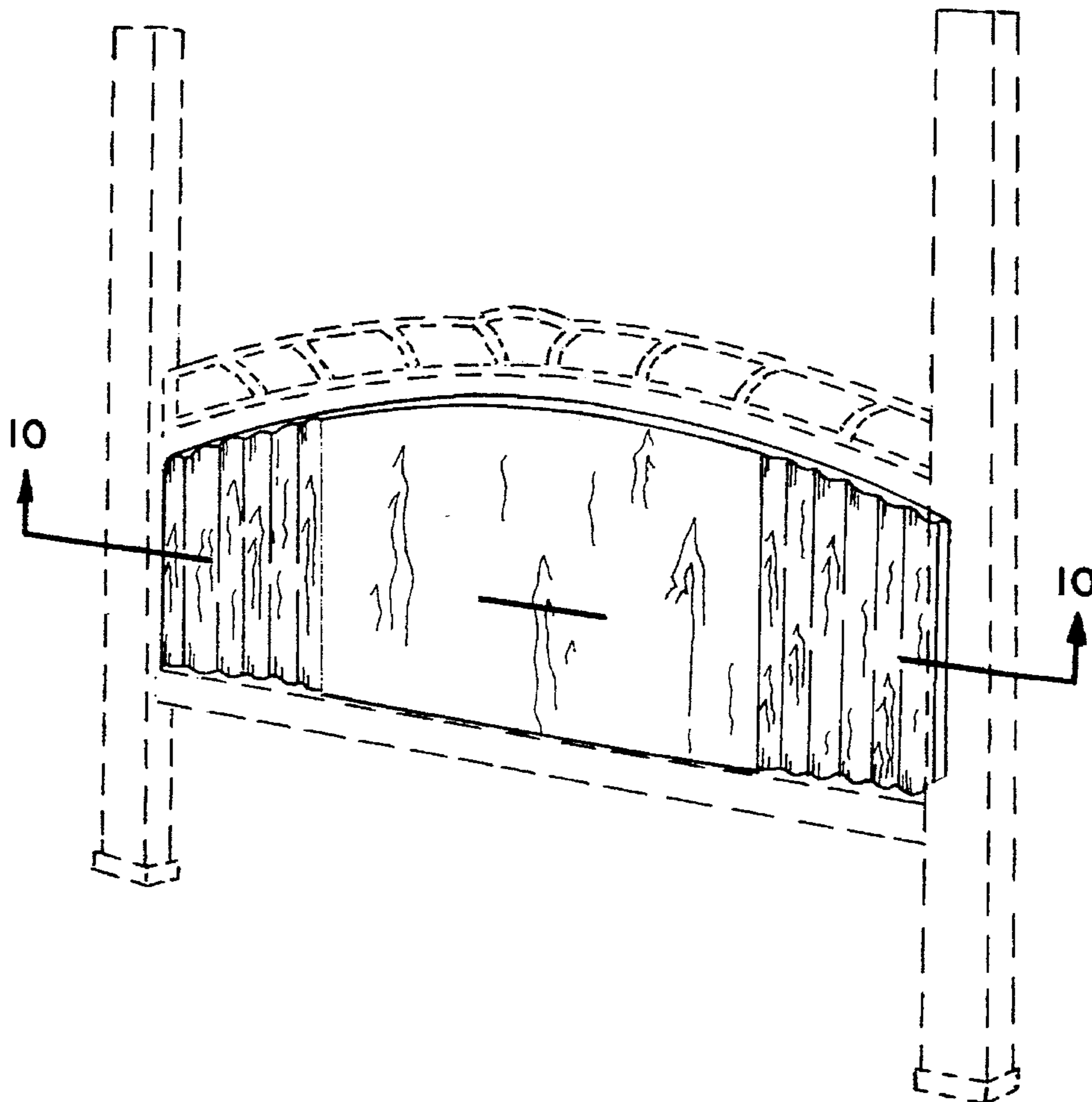
FIG. 8 is a rear elevational view of the furniture panel of FIG. 1;

FIG. 9 is a sectional view of the furniture panel of FIG. 4; and,

FIG. 10 is a sectional view of the furniture panel of FIG. 1. The structure shown in broken lines is for illustration purposes only and forms no part of the claimed design.

Primary Examiner—Janice E. Seeger
Attorney, Agent, or Firm—Petree Stockton

1 Claim, 4 Drawing Sheets



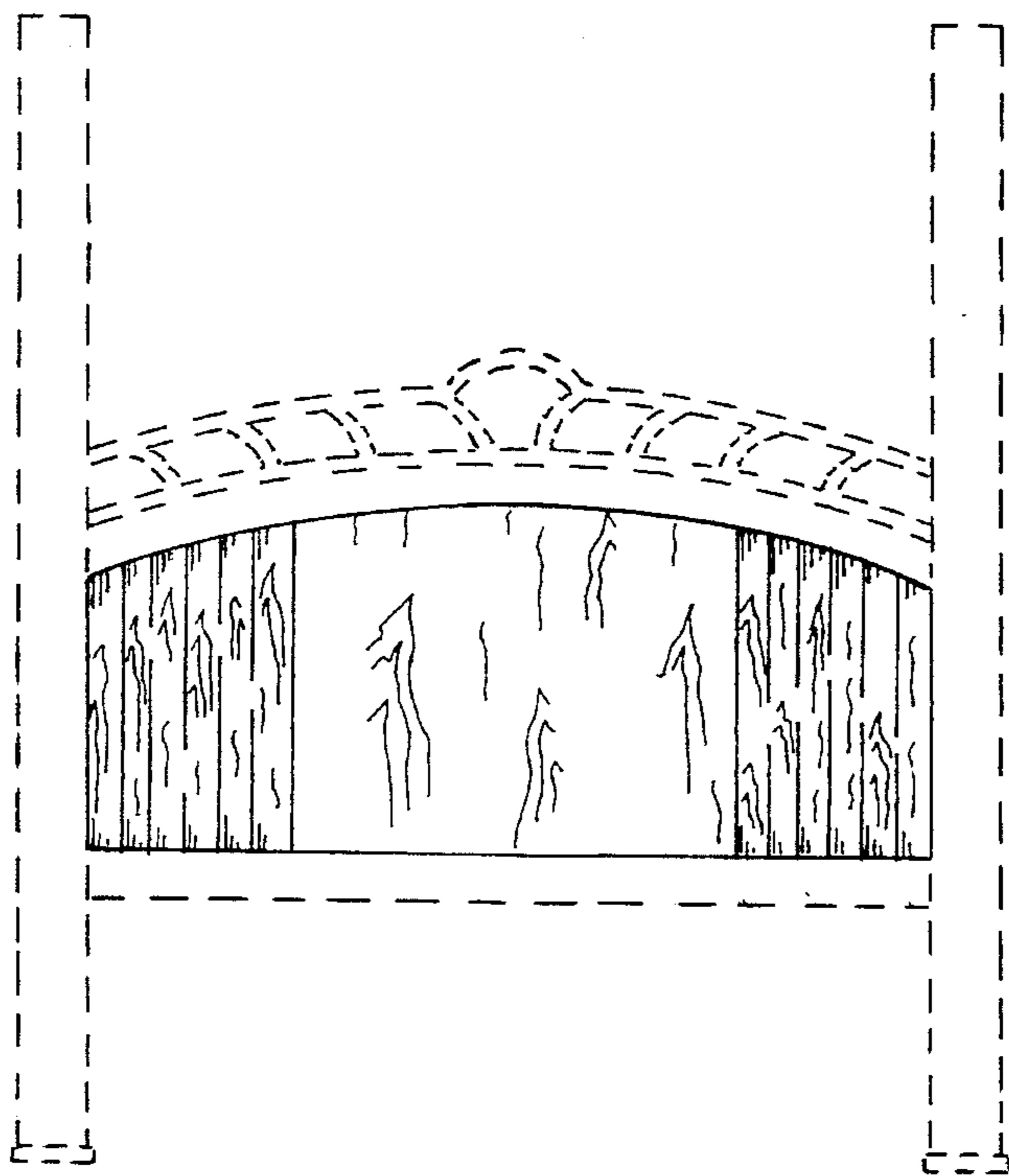
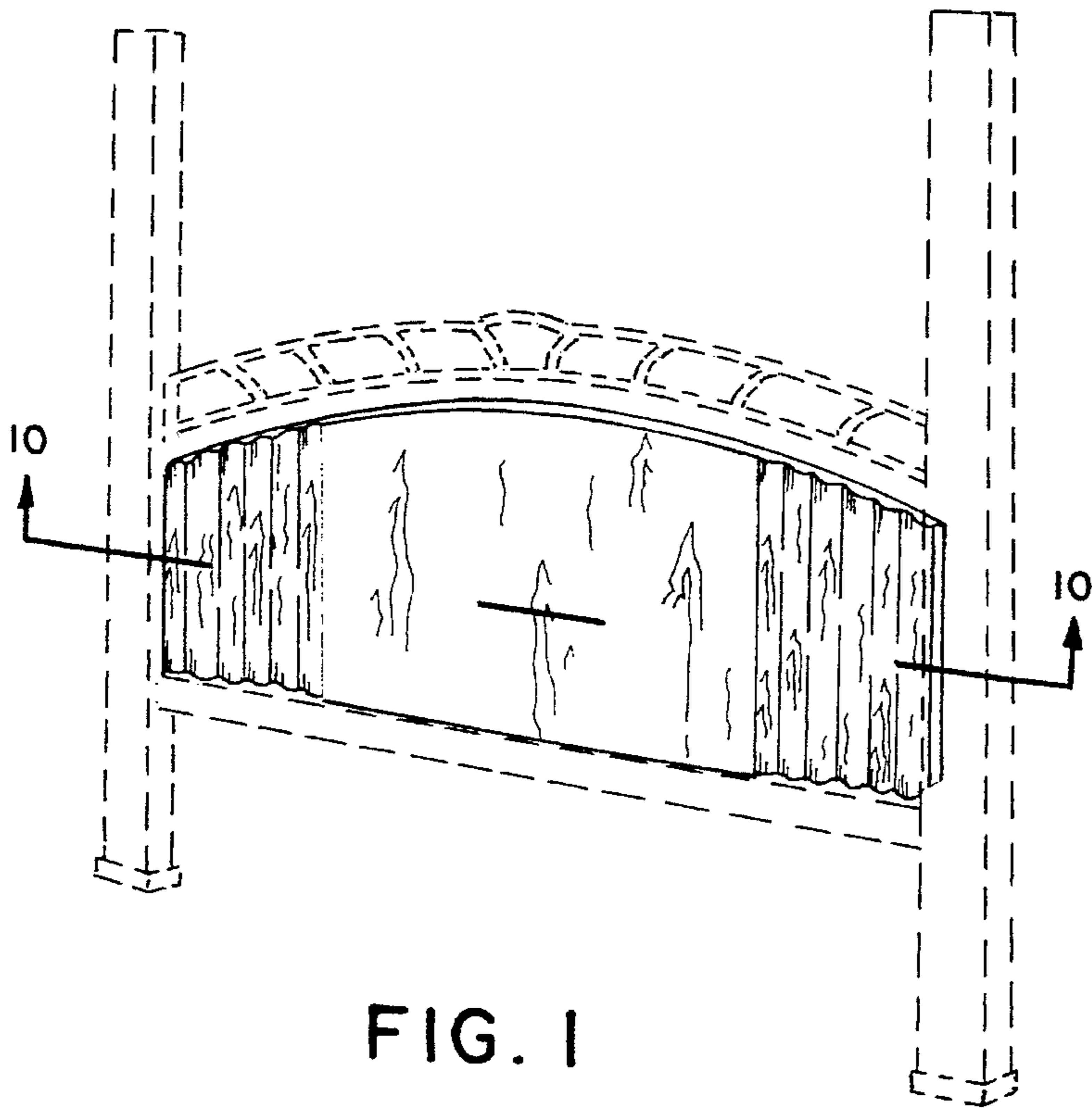


FIG. 2



FIG. 3

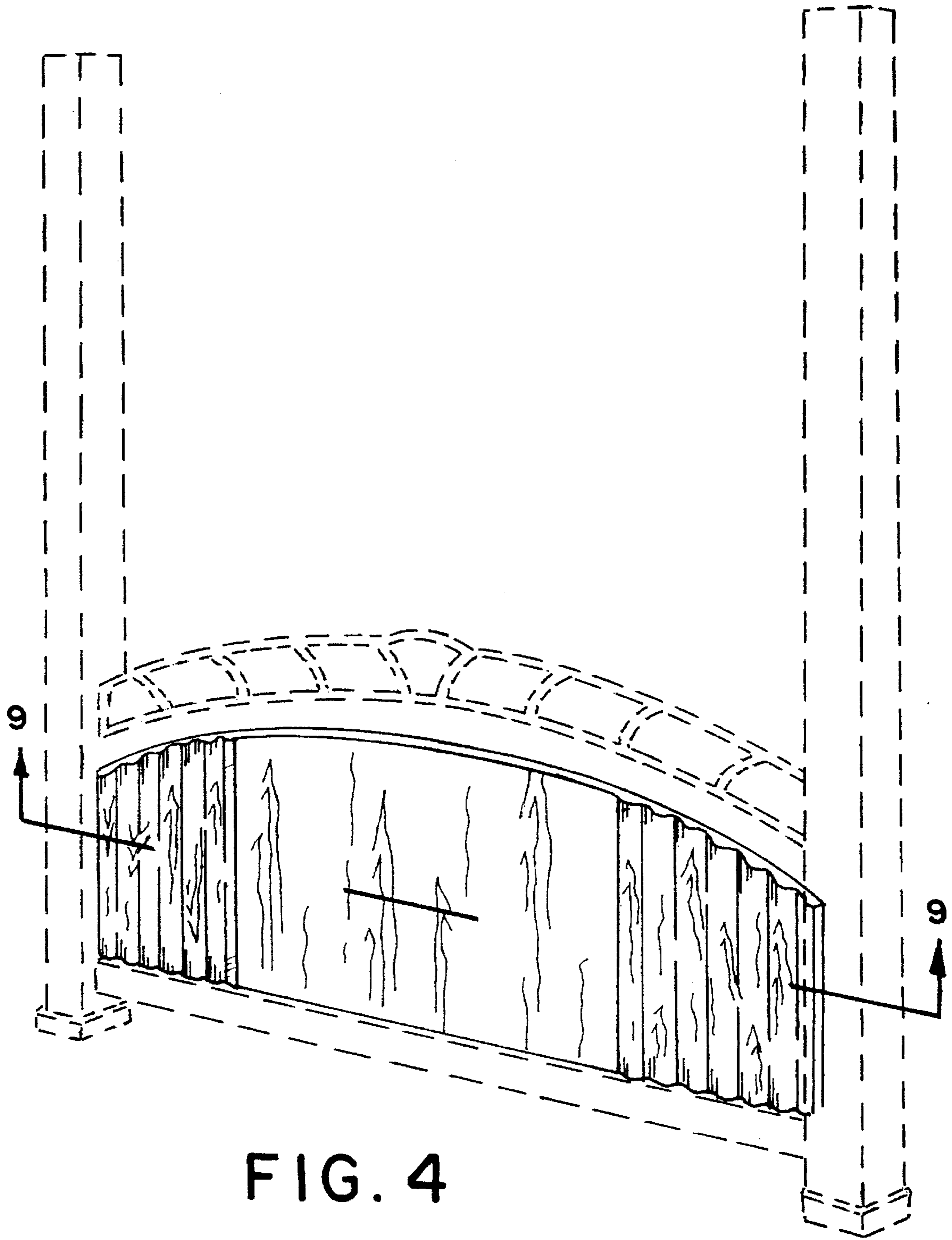


FIG. 4

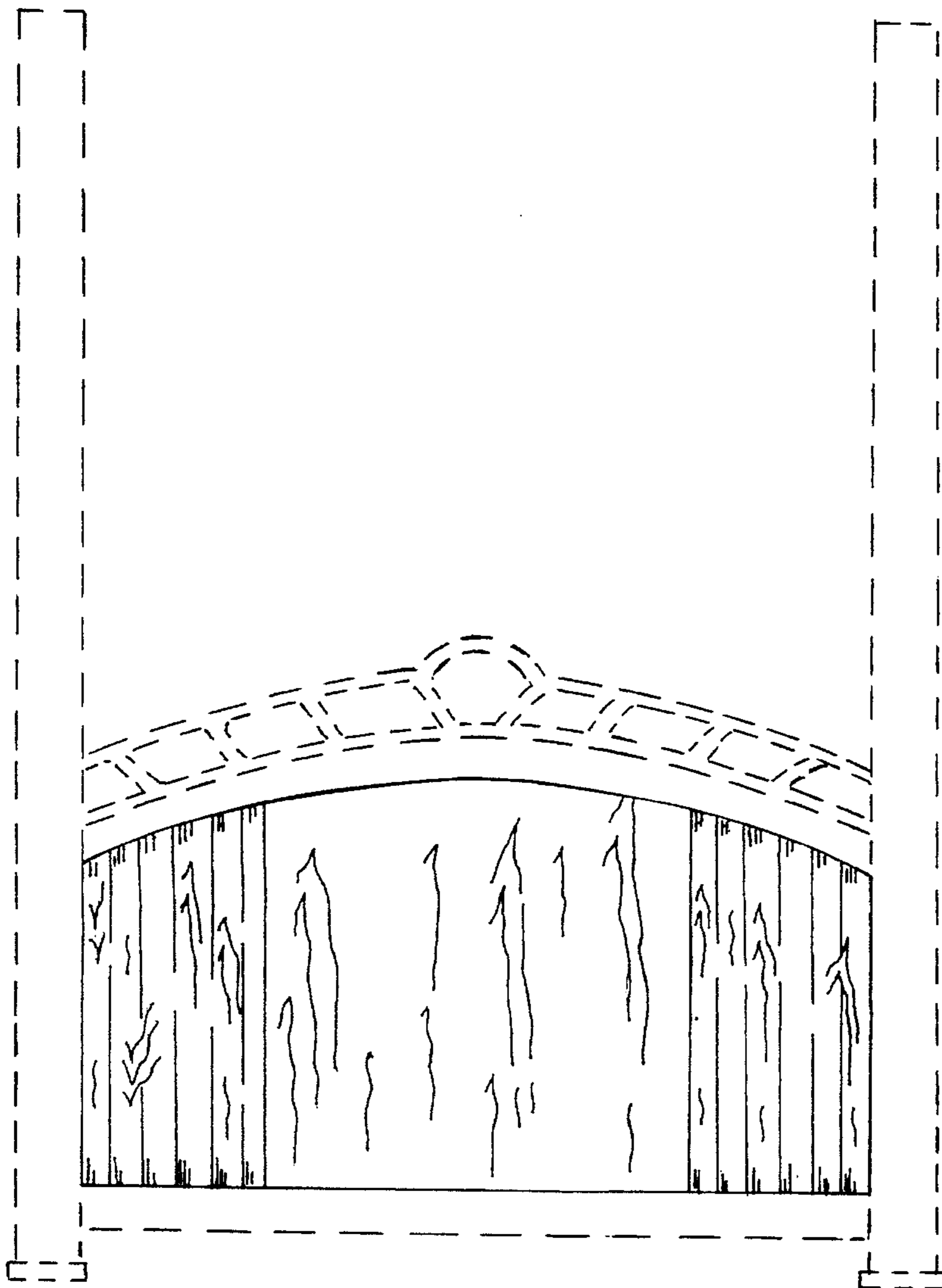


FIG. 5

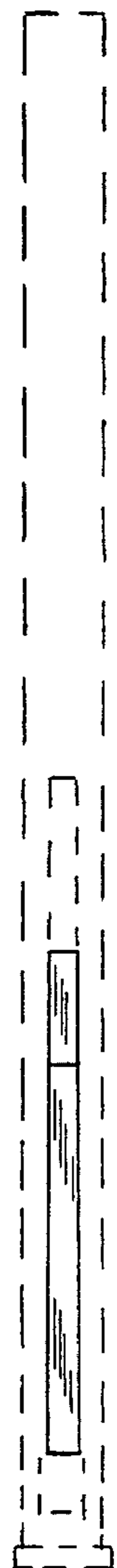


FIG. 6

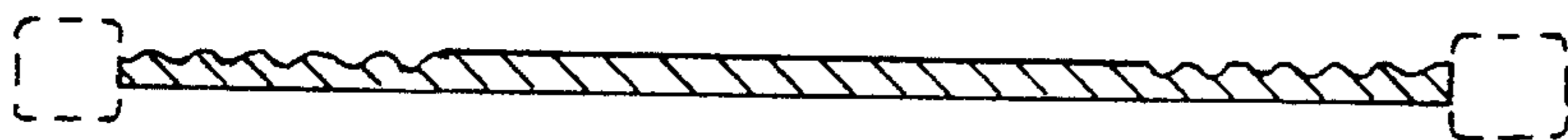


FIG. 9



FIG. 10

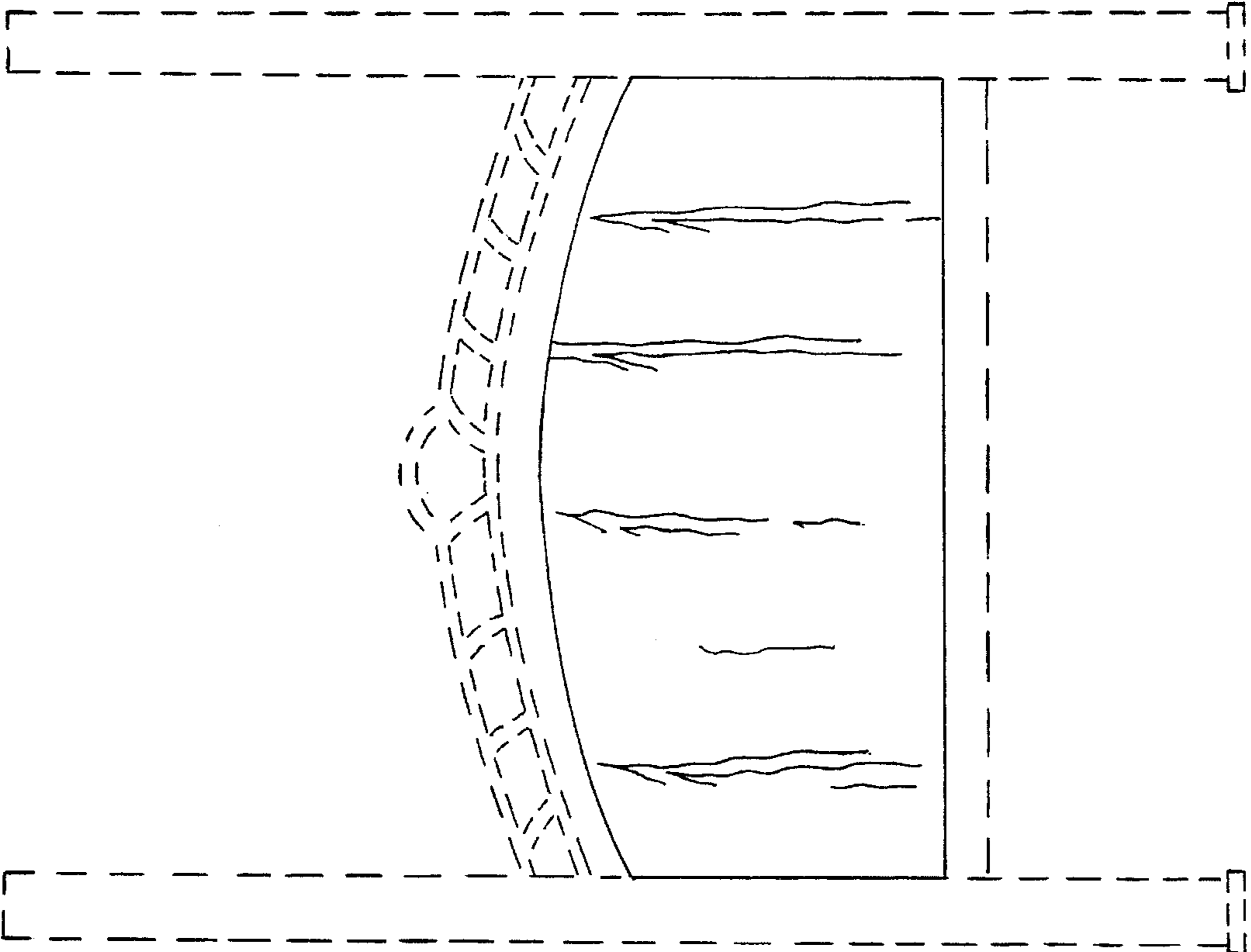


FIG. 7

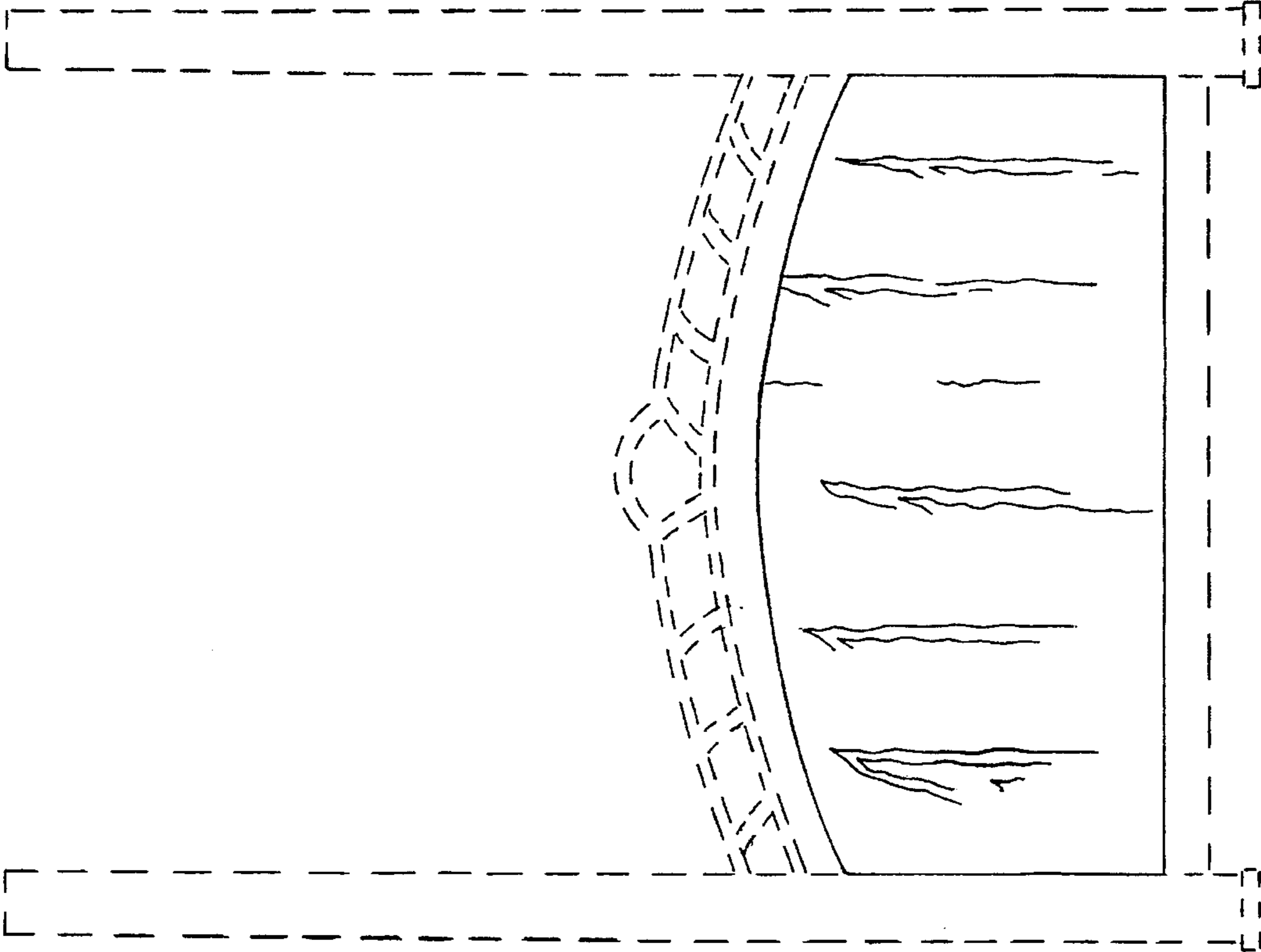


FIG. 8