



US00D371027S

United States Patent [19]
Skurman

[11] **Patent Number: Des. 371,027**

[45] **Date of Patent: **Jun. 25, 1996**

[54] **TABLE LEG**

4,023,682 5/1977 Niece 211/184
5,353,717 11/1984 Taylor D6/480 X

[75] Inventor: **Andrew Skurman**, Belvedere, Calif.

[73] Assignee: **Andy Designs, Ltd.**, Belvedere, Calif.

[**] Term: **14 Years**

Primary Examiner—Janice E. Seeger
Attorney, Agent, or Firm—Janis Biksa

[21] Appl. No.: **31,382**

[22] Filed: **Nov. 23, 1994**

[52] **U.S. Cl.** **D6/499**

[58] **Field of Search** D6/480-495, 429,
D6/495-499; 248/188.8, 217.1; 108/150,
153, 156, 161, 65, 66, 127; 248/217.1;
211/184, 43

[57] **CLAIM**

The ornamental design for a table leg, as shown and described.

DESCRIPTION

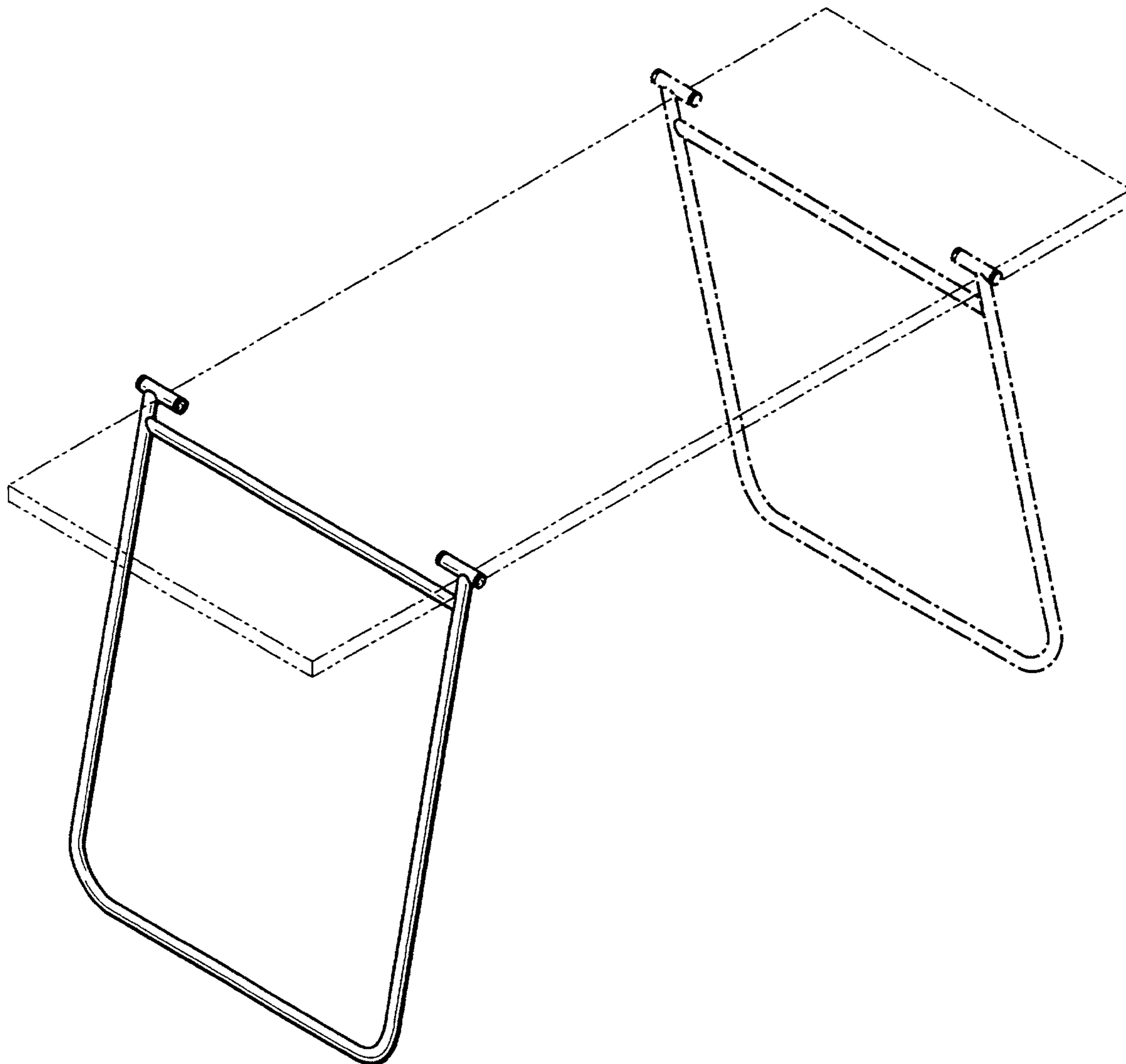
FIG. 1 is a perspective view of a table leg, showing my new design, the broken lines are for environmental purposes only and form no part of the claimed design;
FIG. 2 is a right side view of the invention which is identical to a left-sided view;
FIG. 3 is a front view of the invention;
FIG. 4 is a top view of the invention; and,
FIG. 5 is a bottom view of the invention.

[56] **References Cited**

U.S. PATENT DOCUMENTS

D. 91,315 1/1934 Brown D6/487 X
D. 168,941 3/1953 Kuehne, Jr. D6/499
3,063,567 11/1962 Campbell 211/43

1 Claim, 2 Drawing Sheets



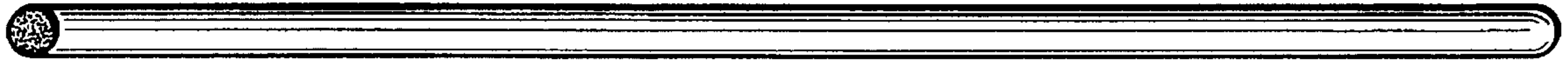


FIG.--2

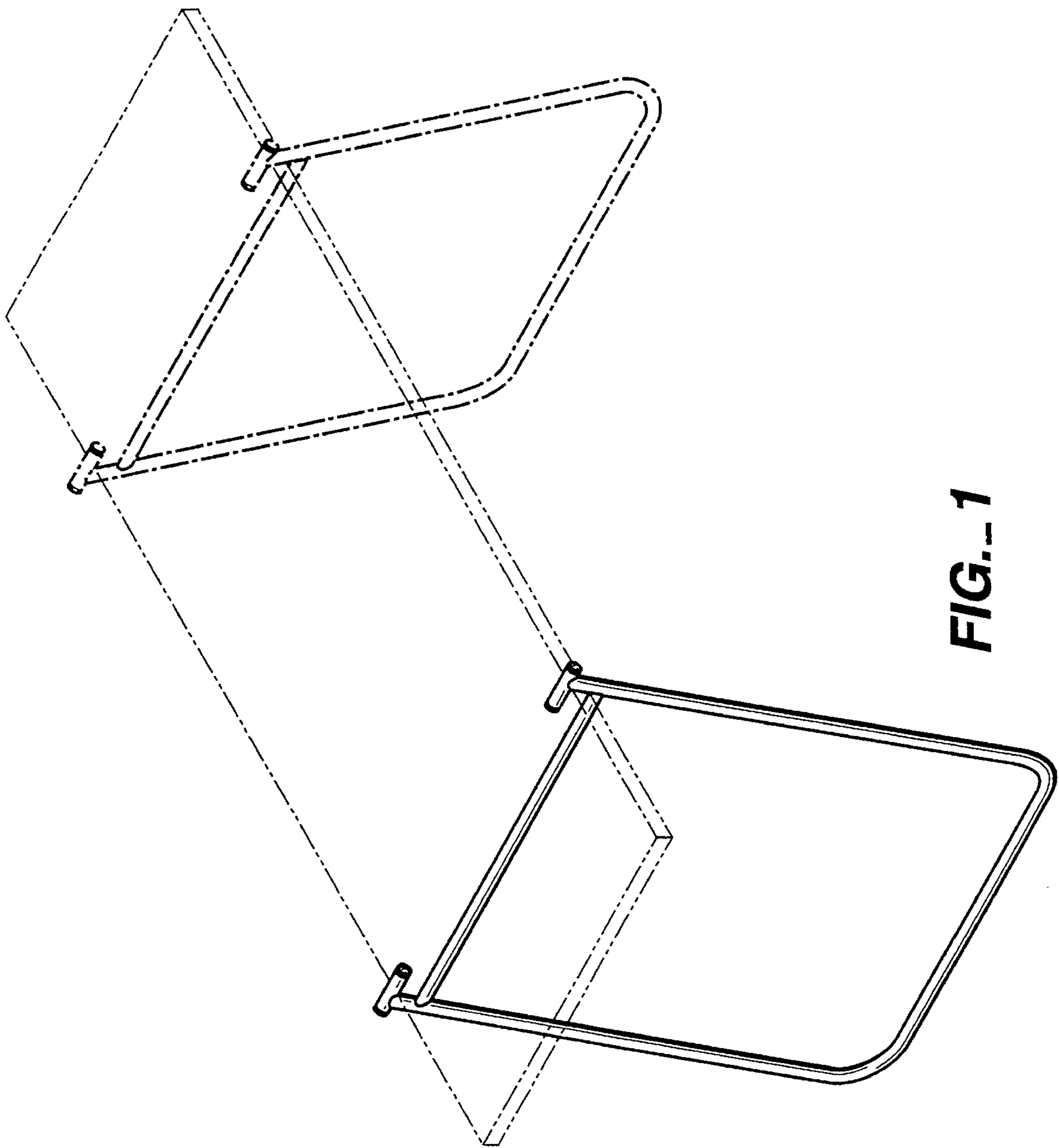


FIG.--1

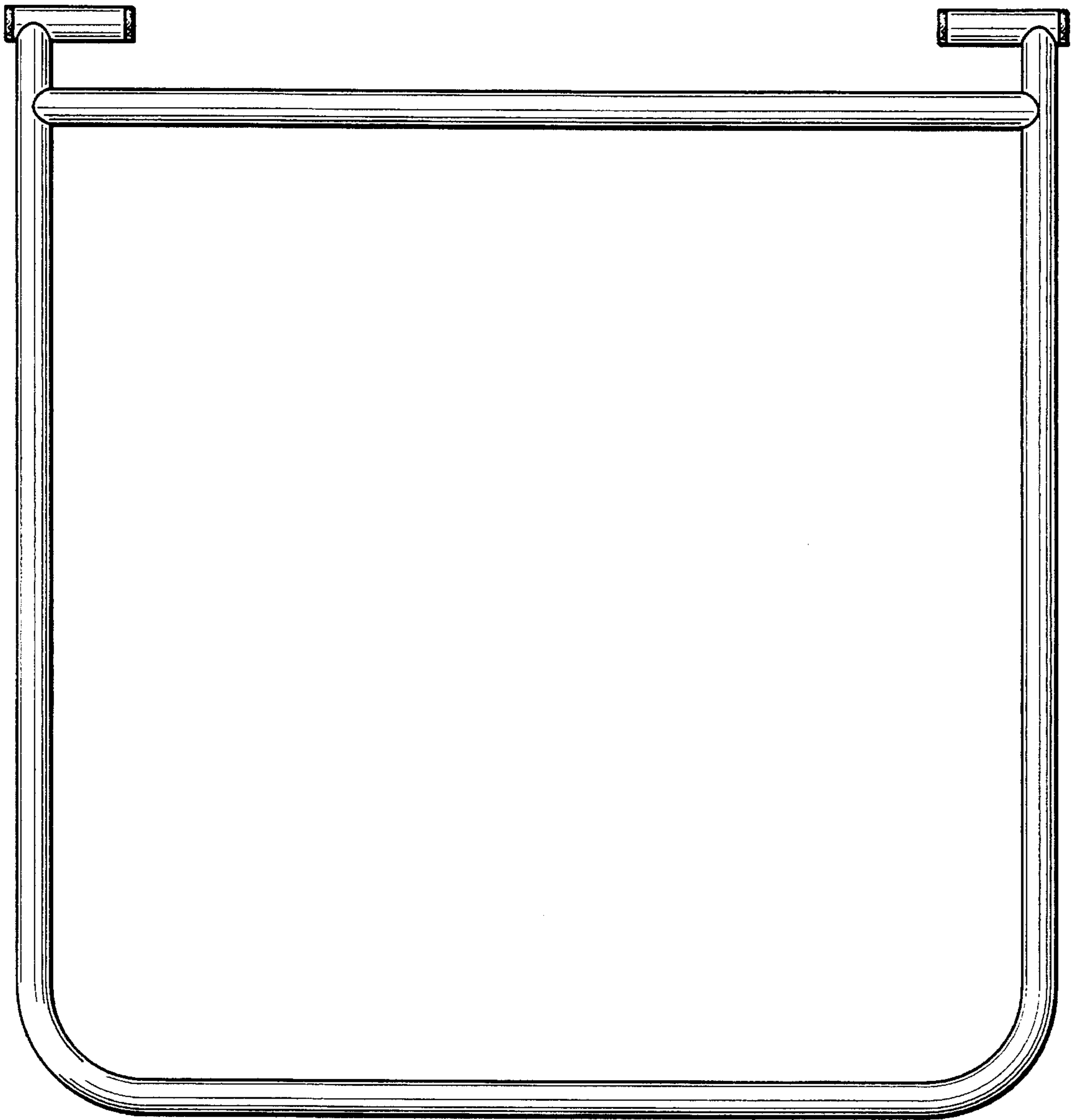


FIG._3

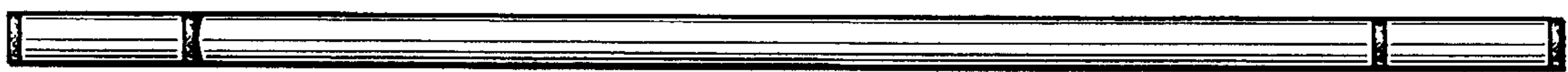


FIG._4

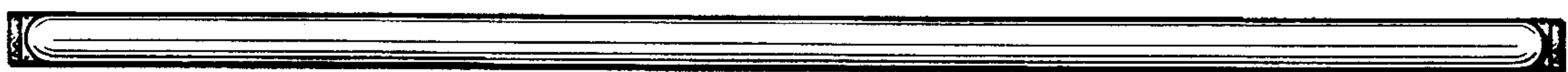


FIG._5