



US00D371022S

# United States Patent [19]

[11] Patent Number: **Des. 371,022**

Saper

[45] Date of Patent: **\*\*Jun. 25, 1996**

[54] **DISPLAY AND STORAGE RACK FOR PACKAGED AND UNPACKAGED FOODS**

*Primary Examiner*—Nelson C. Holtje  
*Assistant Examiner*—S. Snapp  
*Attorney, Agent, or Firm*—W. Charles Kent; William R. Edgar

[76] Inventor: **Gerald Saper**, 209-1/2 Baribeau Street, Ottawa (Vanier), Ontario, Canada, K1L 7R5

[57] **CLAIM**

[\*\*] Term: **14 Years**

The ornamental design for a display and storage rack for packaged and unpackaged foods, as shown and described.

[21] Appl. No.: **37,341**

**DESCRIPTION**

[22] Filed: **Apr. 11, 1995**

FIG. 1 is a perspective view of the display and storage rack for packaged and unpackaged foods of the present invention; FIGS. 2 and 3 are, respectively, right and left side views of the rack of FIG. 1;

[30] **Foreign Application Priority Data**

Oct. 12, 1994 [CA] Canada ..... 1994-2033

[52] U.S. Cl. .... **D6/449**

FIG. 4 is a front view of the rack of FIG. 1;

[58] Field of Search ..... D6/449, 450, 451, D6/396; 211/86, 123

FIG. 5 is a rear view of the rack of FIG. 1;

FIG. 6 is a top plan view of the rack of FIG. 1; and,

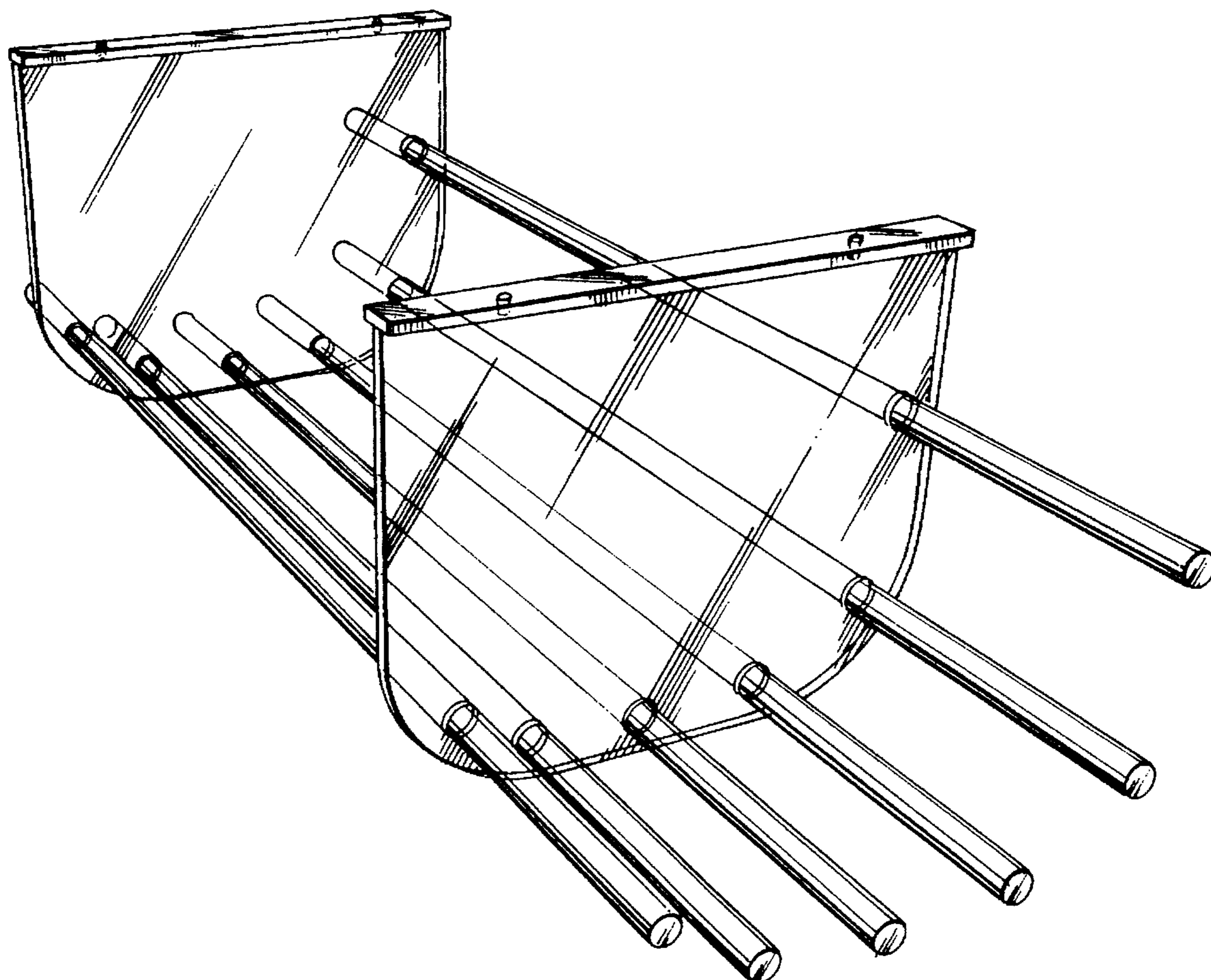
FIG. 7 is a bottom plan view of the rack of FIG. 1.

[56] **References Cited**

**U.S. PATENT DOCUMENTS**

4,901,871 2/1990 Ohm et al. .... 211/86

**1 Claim, 3 Drawing Sheets**



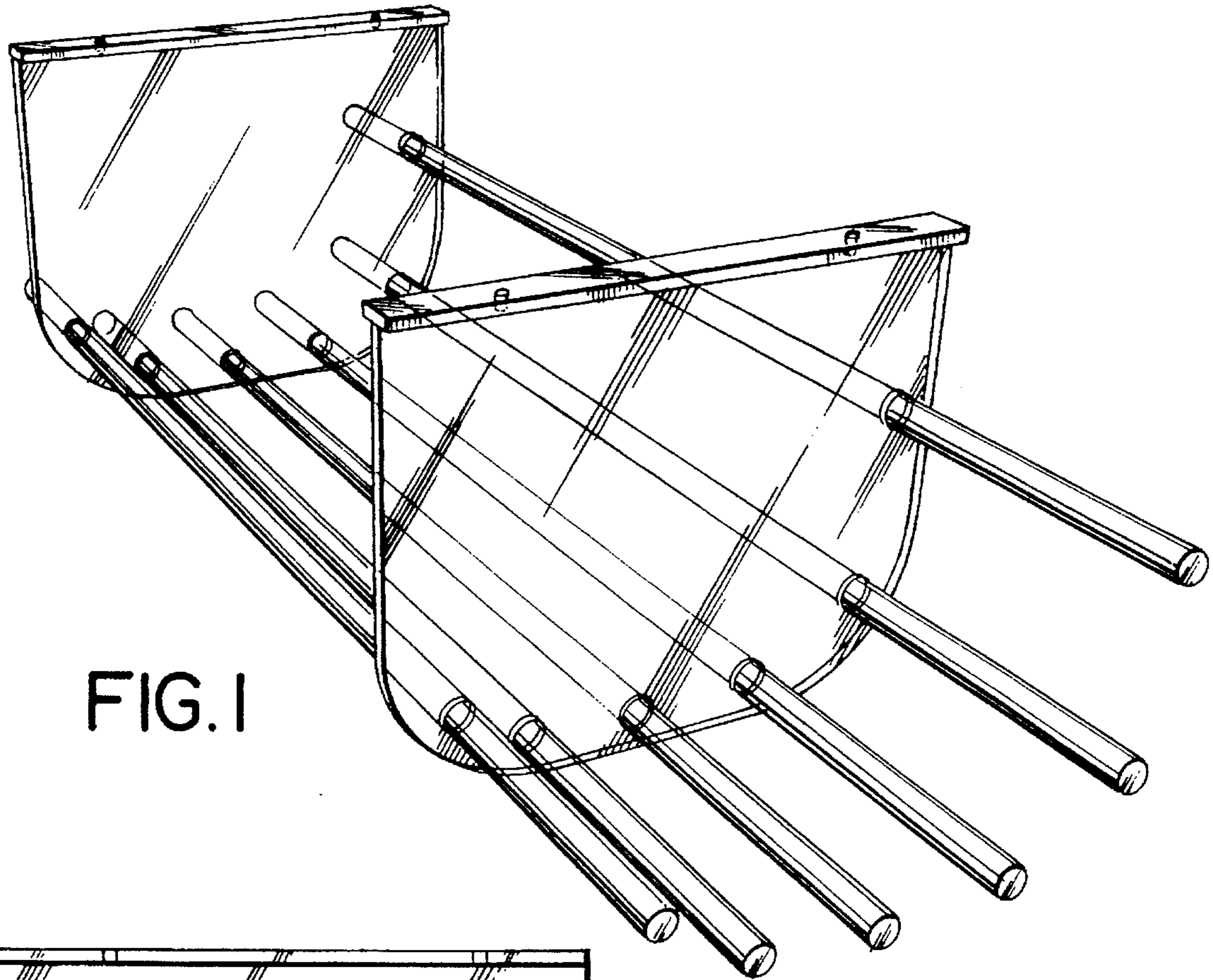


FIG. 1

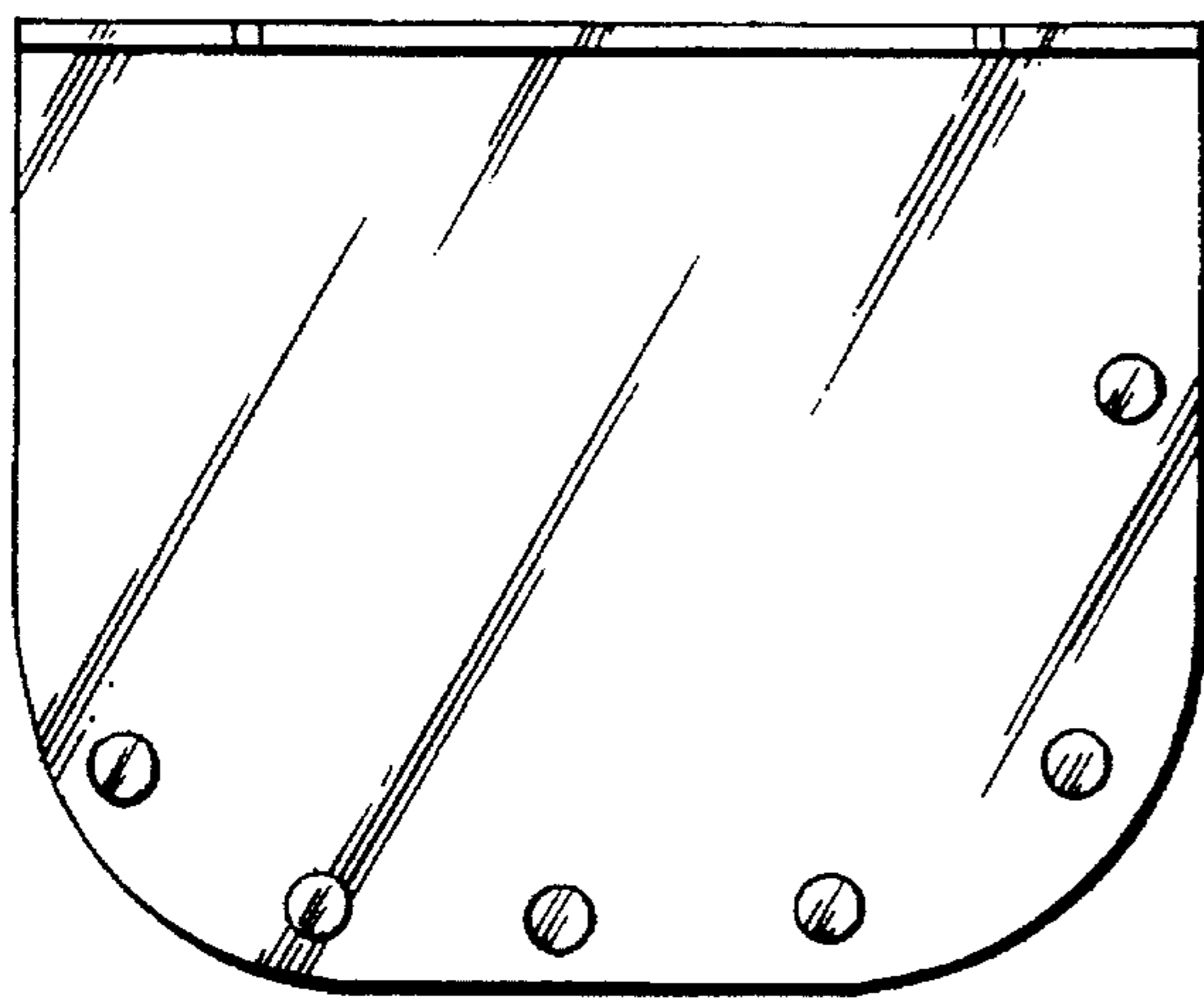


FIG. 2

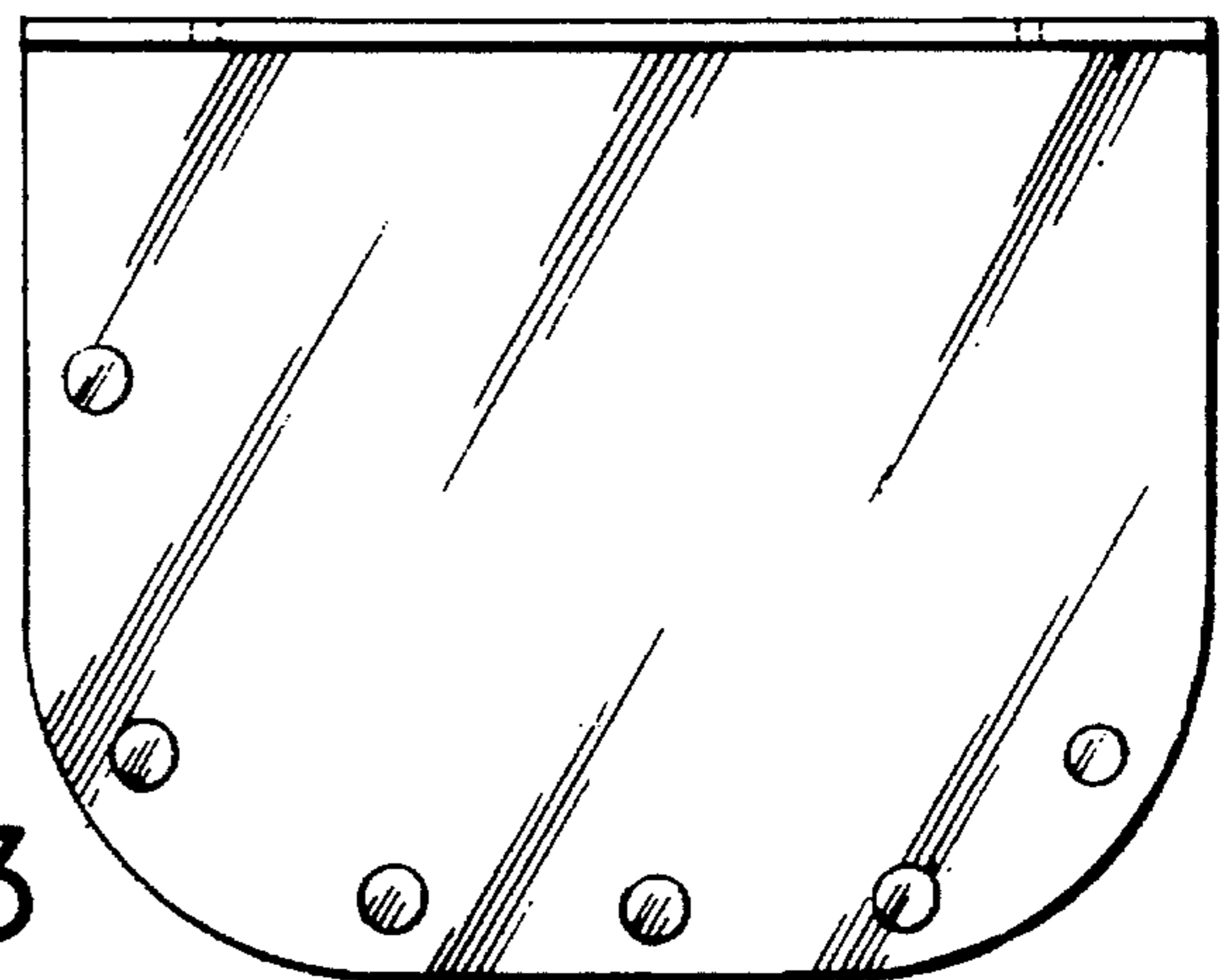


FIG. 3

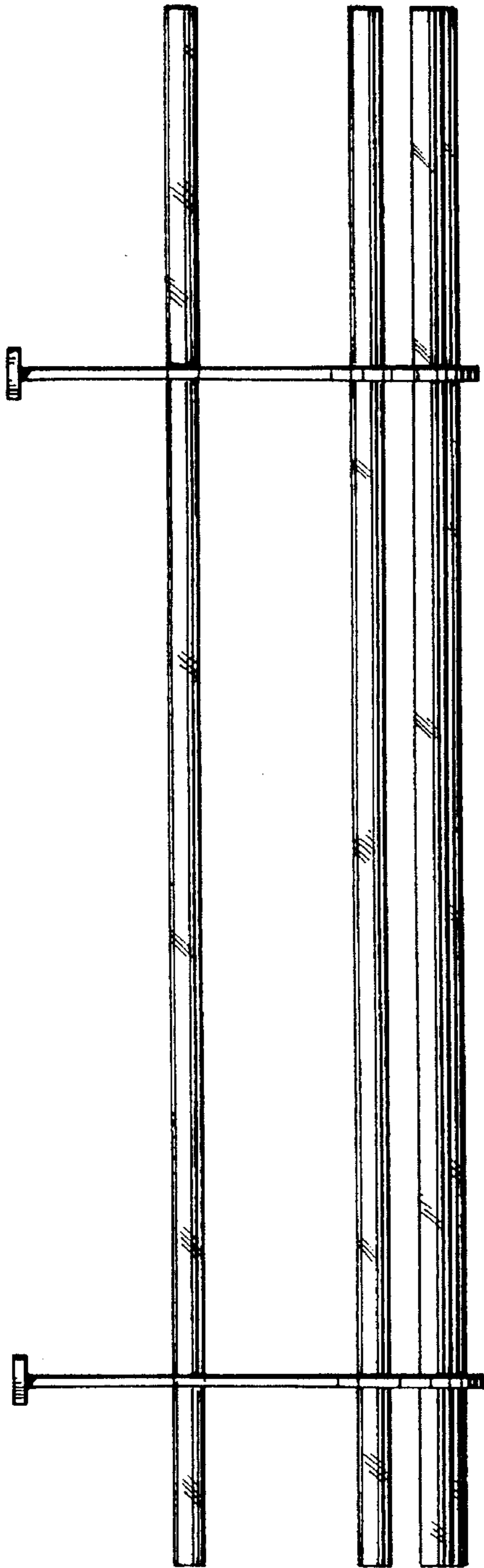


FIG. 4

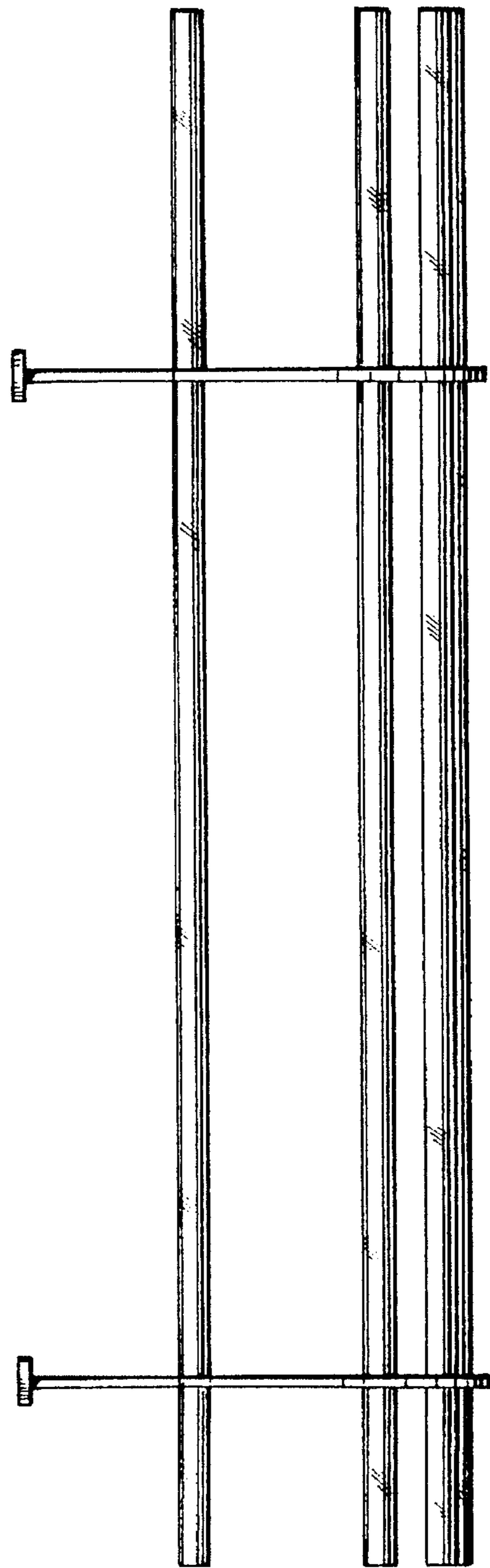


FIG. 5

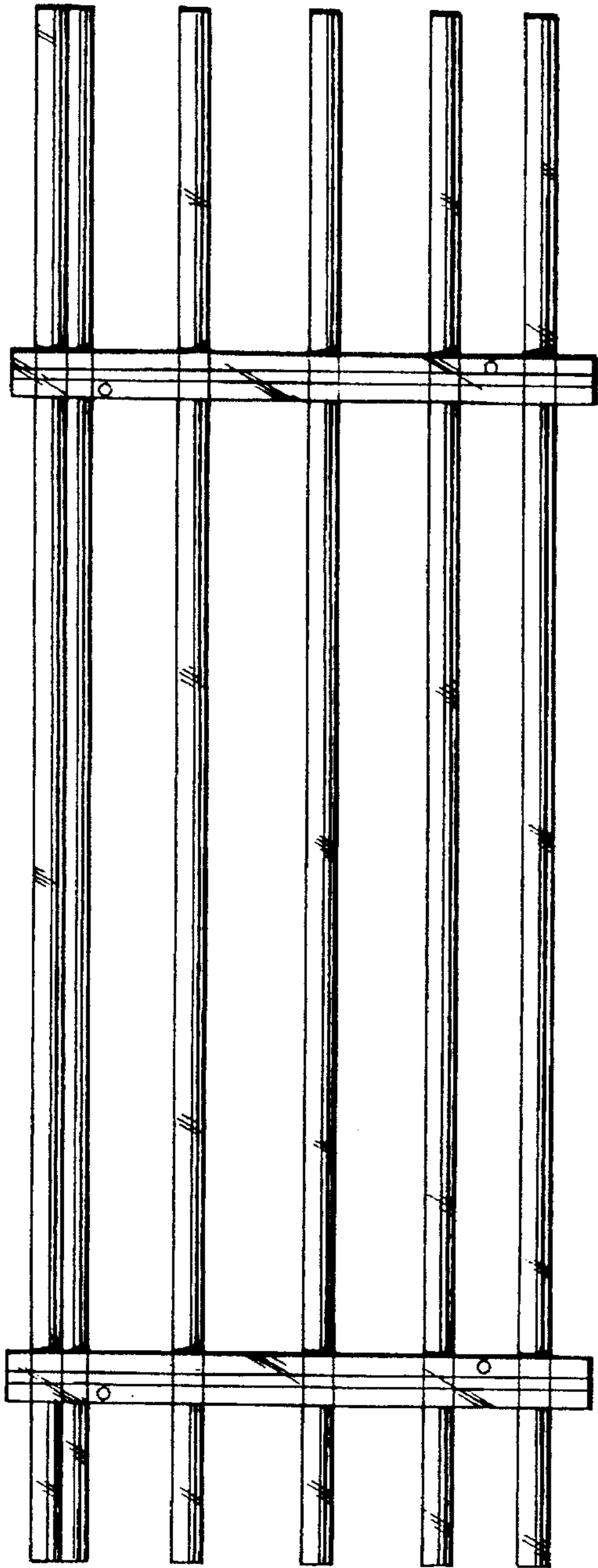


FIG. 6

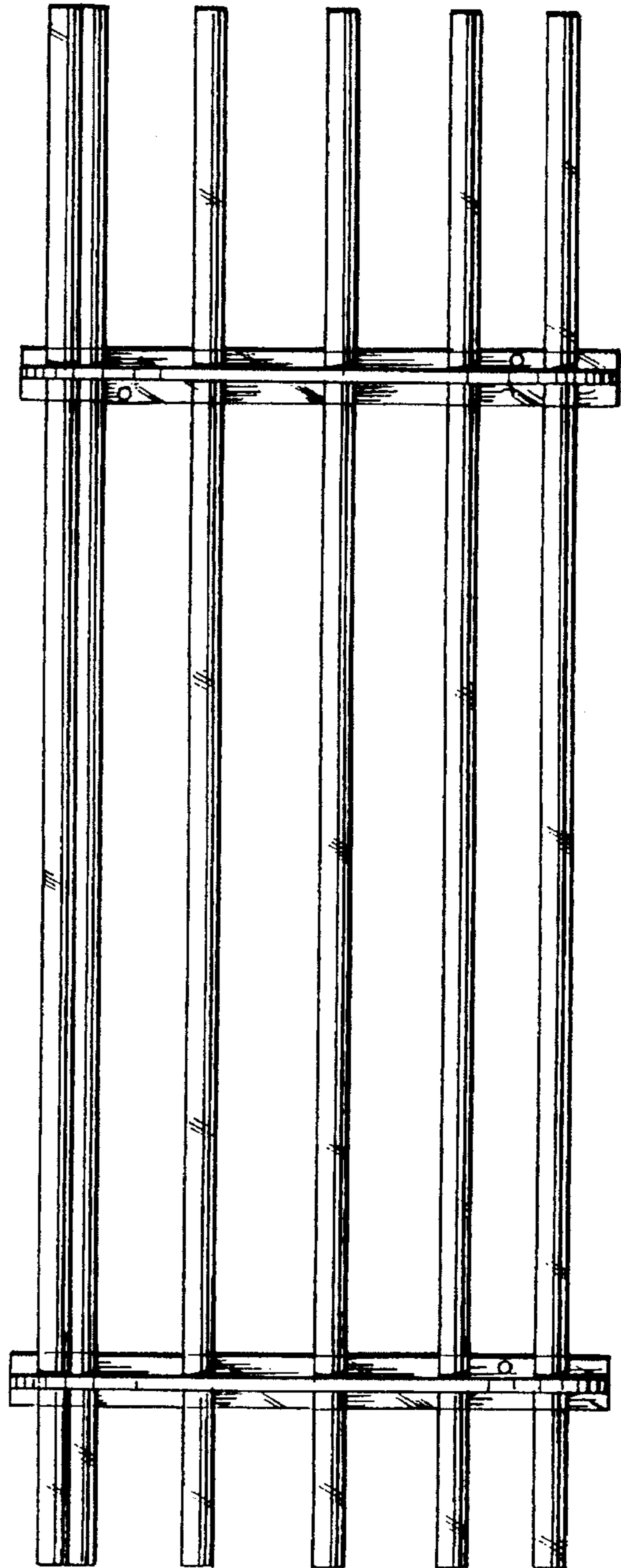


FIG. 7