



US00D371015S

United States Patent [19]

[11] Patent Number: **Des. 371,015**

Walters, III et al.

[45] Date of Patent: ****Jun. 25, 1996**

[54] **DESK**

[75] Inventors: **Guy A. Walters, III**, High Point; **Avis E. Tobin, Jr.**, Thomasville, both of N.C.

[73] Assignee: **Thomasville Furniture Industries, Inc.**, Thomasville, N.C.

[**] Term: **14 Years**

[21] Appl. No.: **29,985**

[22] Filed: **Oct. 20, 1994**

[52] U.S. Cl. **D6/433**

[58] Field of Search D6/422-428; 312/204, 312/257, 194-196, DIG. 33

[56] **References Cited**

U.S. PATENT DOCUMENTS

D. 19,746	4/1890	Roberts	D6/424
D. 63,283	11/1923	Cameron	D6/426
D. 220,440	4/1971	Beavers	D6/424

OTHER PUBLICATIONS

Furniture World Sep. 1980, p. 46; drop-lid desk bottom of page.

Schöner Wohnen Jan. 1989, p. 75; roll-top desk top right on page.

"Directions" by Woodward & Lothrop Aug. 1991, p. 4; chifferobe #0405 top left on page.

"Directions" by Woodward & Lothrop Jan. 21, 1993, p. 27; china #2710 on page.

Thomasville Santa Fe Catalog, pp. 6, 7, 8 and 12, Apr. 1984. Photograph of Desk, Possibly by Harden, date unknown; believed to be prior art.

Primary Examiner—Carmen H. Vales-Lado
Attorney, Agent, or Firm—Rhodes, Coats & Bennett

[57] **CLAIM**

The ornamental design for a desk, as shown and described.

DESCRIPTION

FIG. 1 is a front perspective view of a desk showing our new design;

FIG. 2 is a side elevational view thereof;

FIG. 3 is a front elevational view thereof;

FIG. 4 is a top view thereof;

FIG. 5 is a front perspective view thereof with the roll top closed;

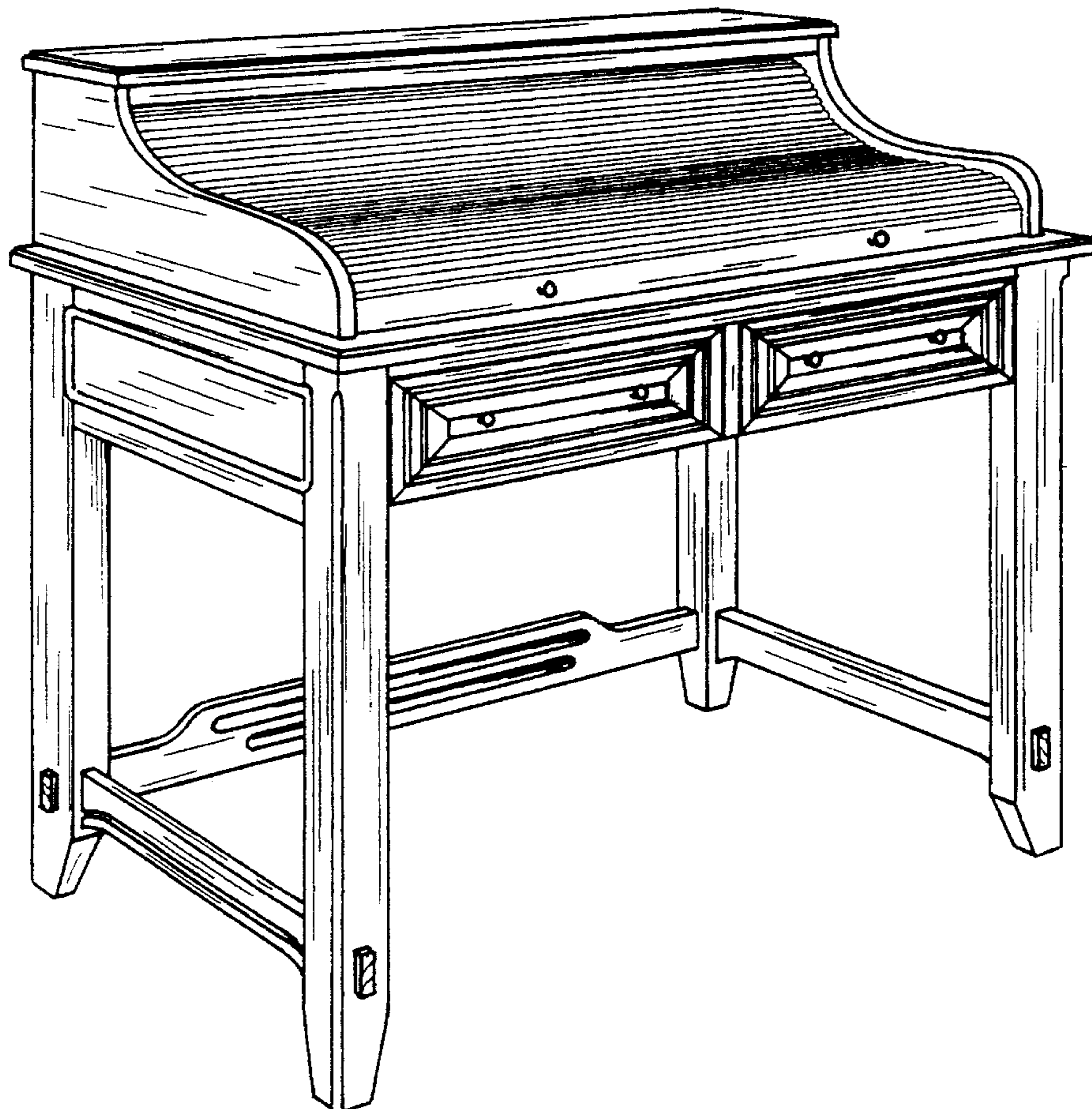
FIG. 6 is a front elevational view thereof;

FIG. 7 is a top plan view thereof; and,

FIG. 8 is a rear elevational view thereof.

The broken line showing of the interior of the desk in FIGS. 1 and 3 is for illustrative purposes only and forms no part of the claimed design.

1 Claim, 8 Drawing Sheets



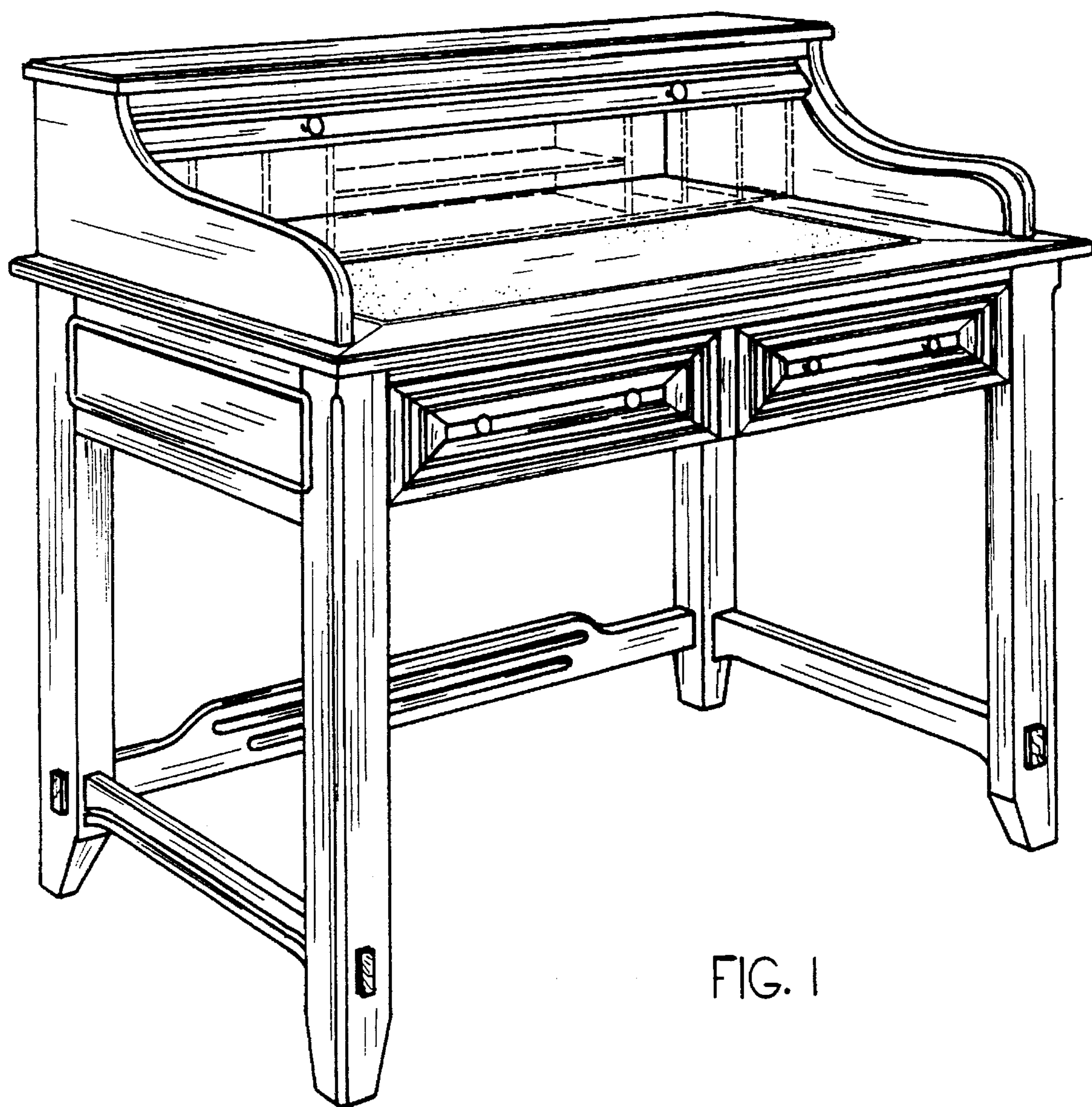


FIG. 1

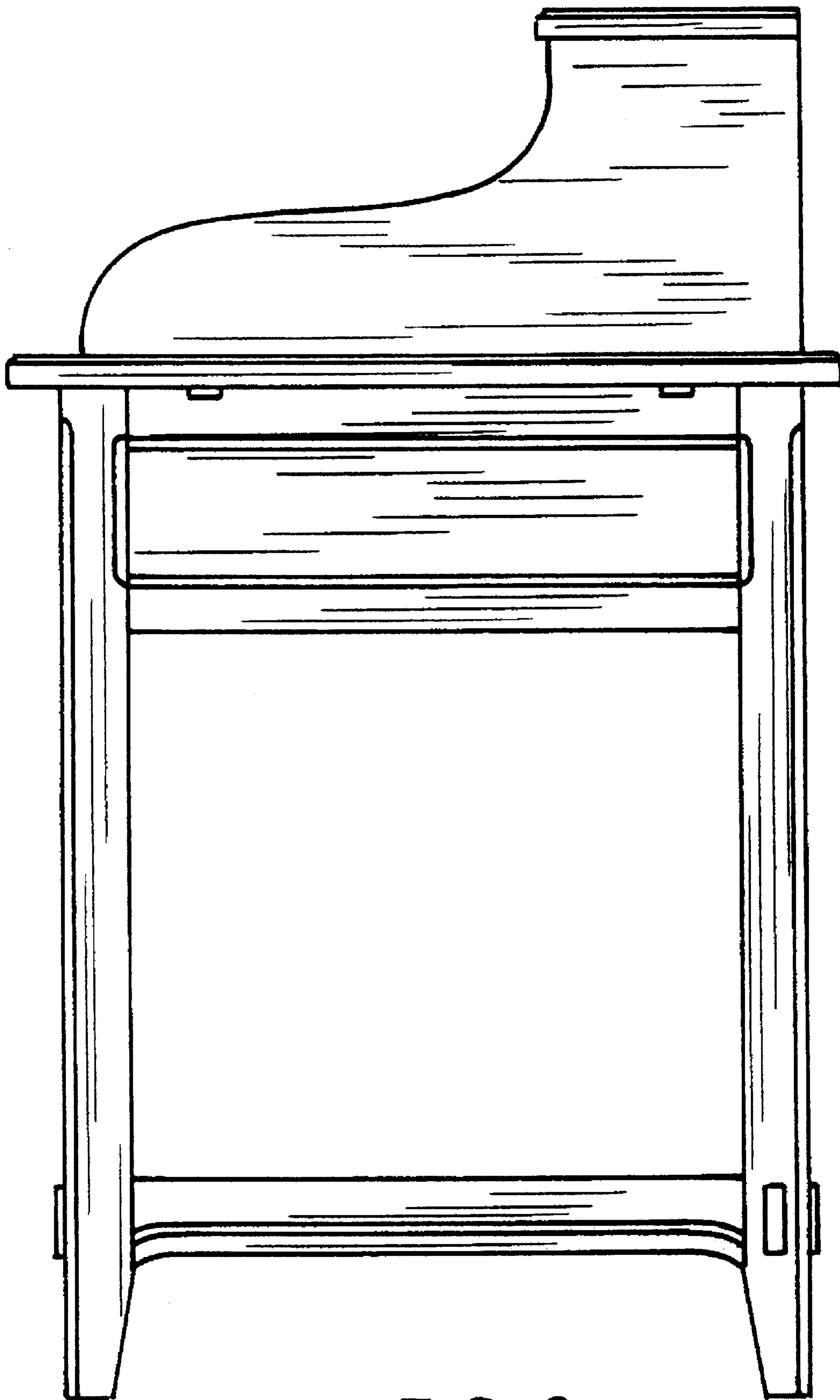


FIG. 2

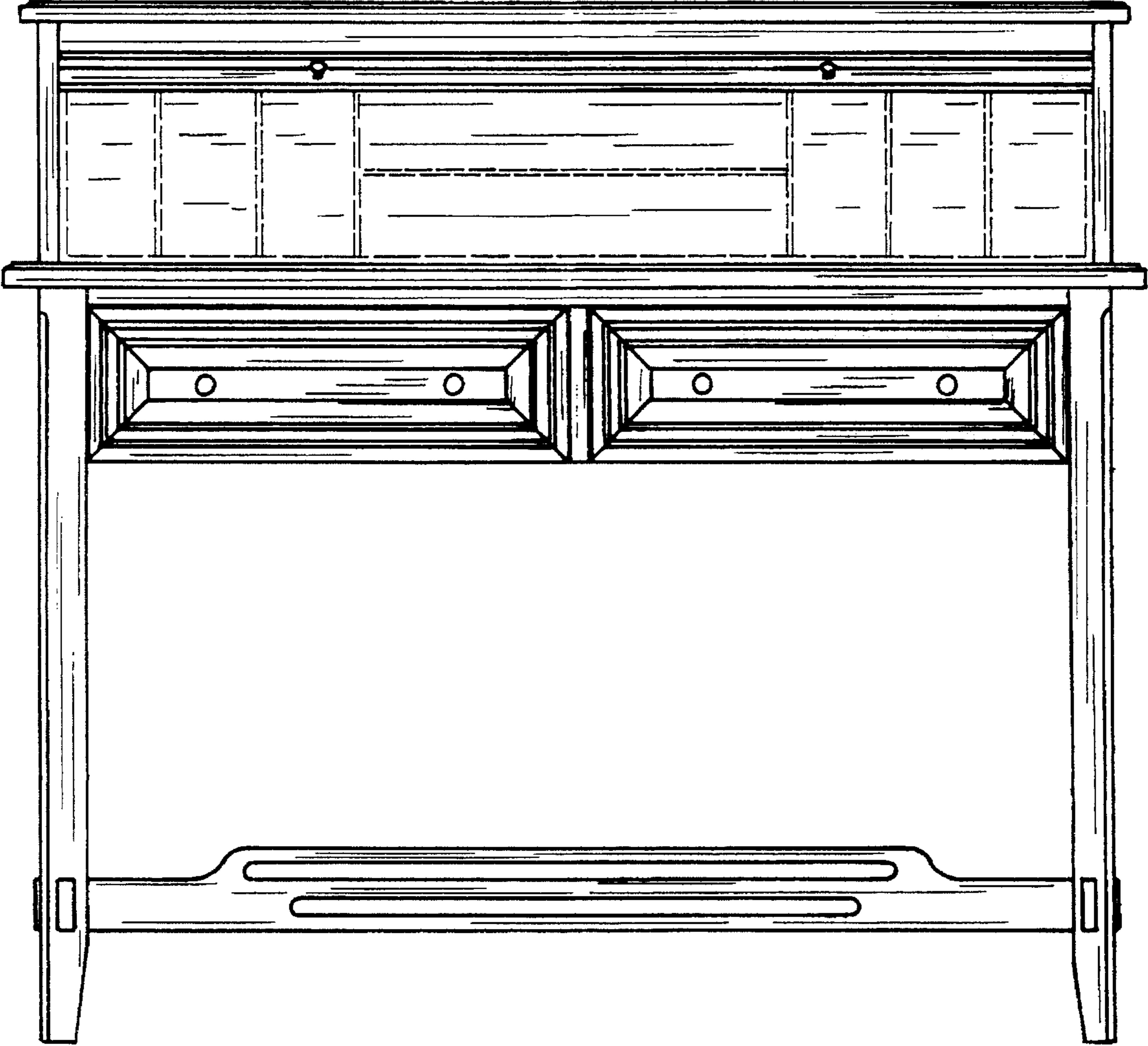


FIG. 3

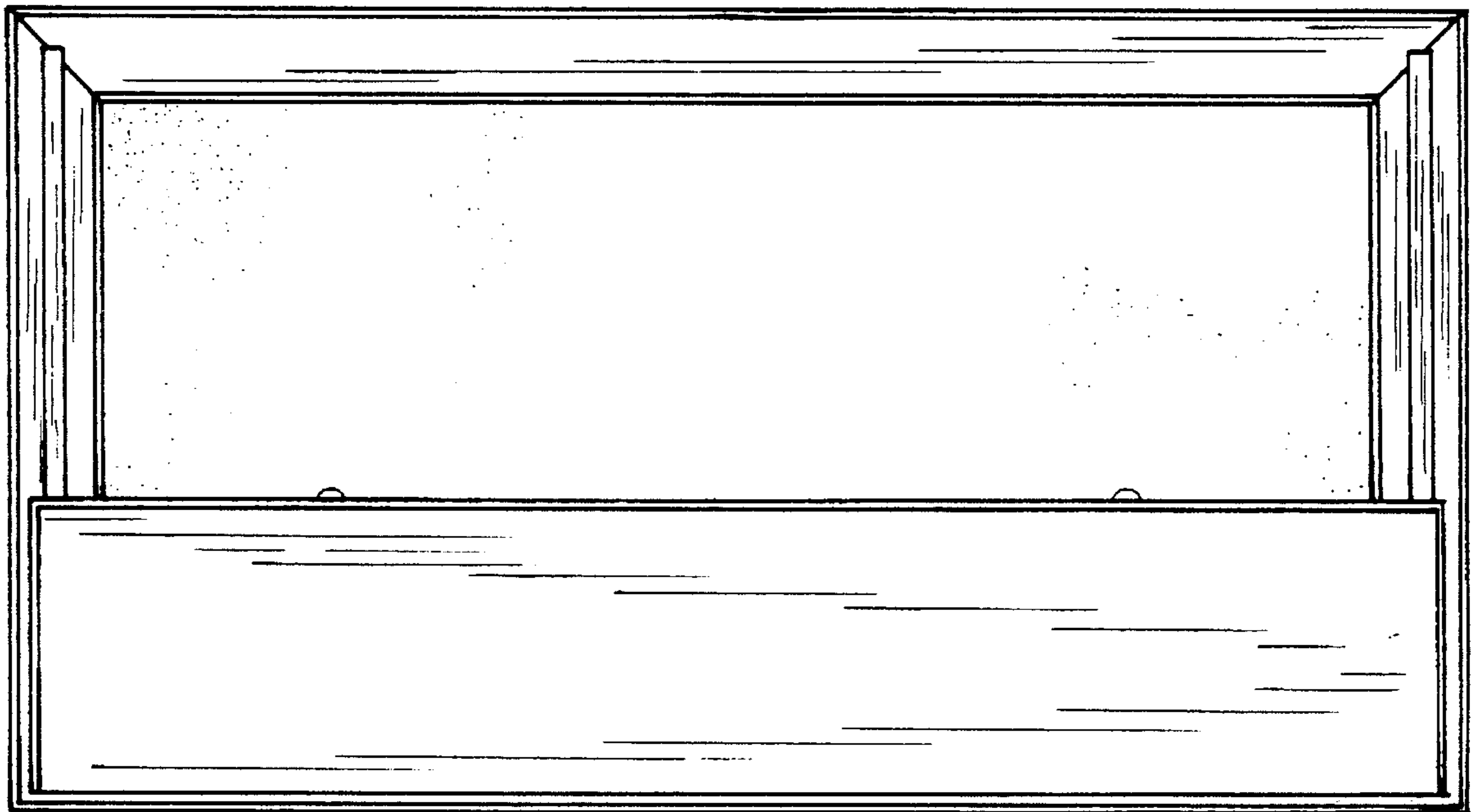


FIG. 4

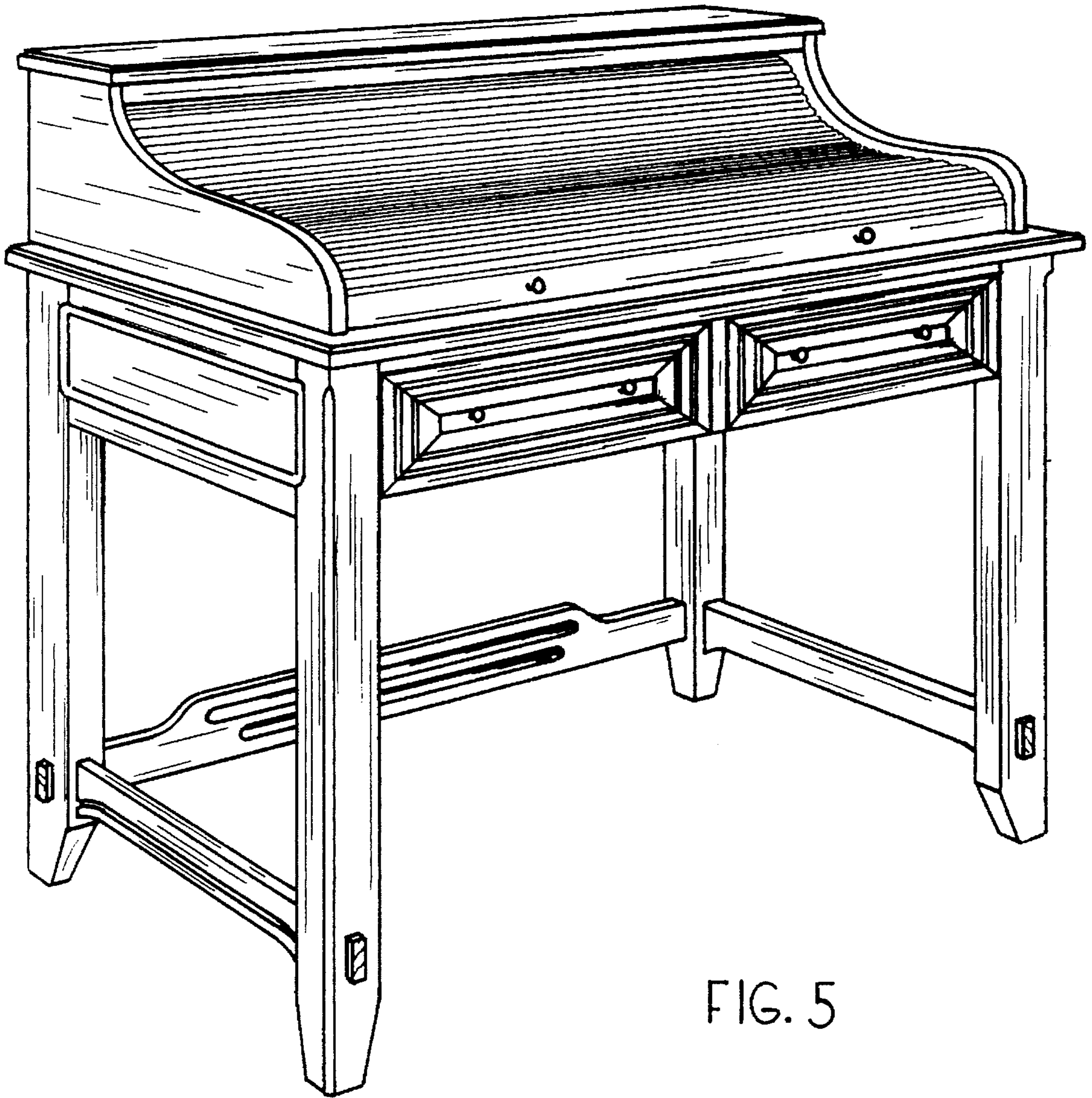


FIG. 5

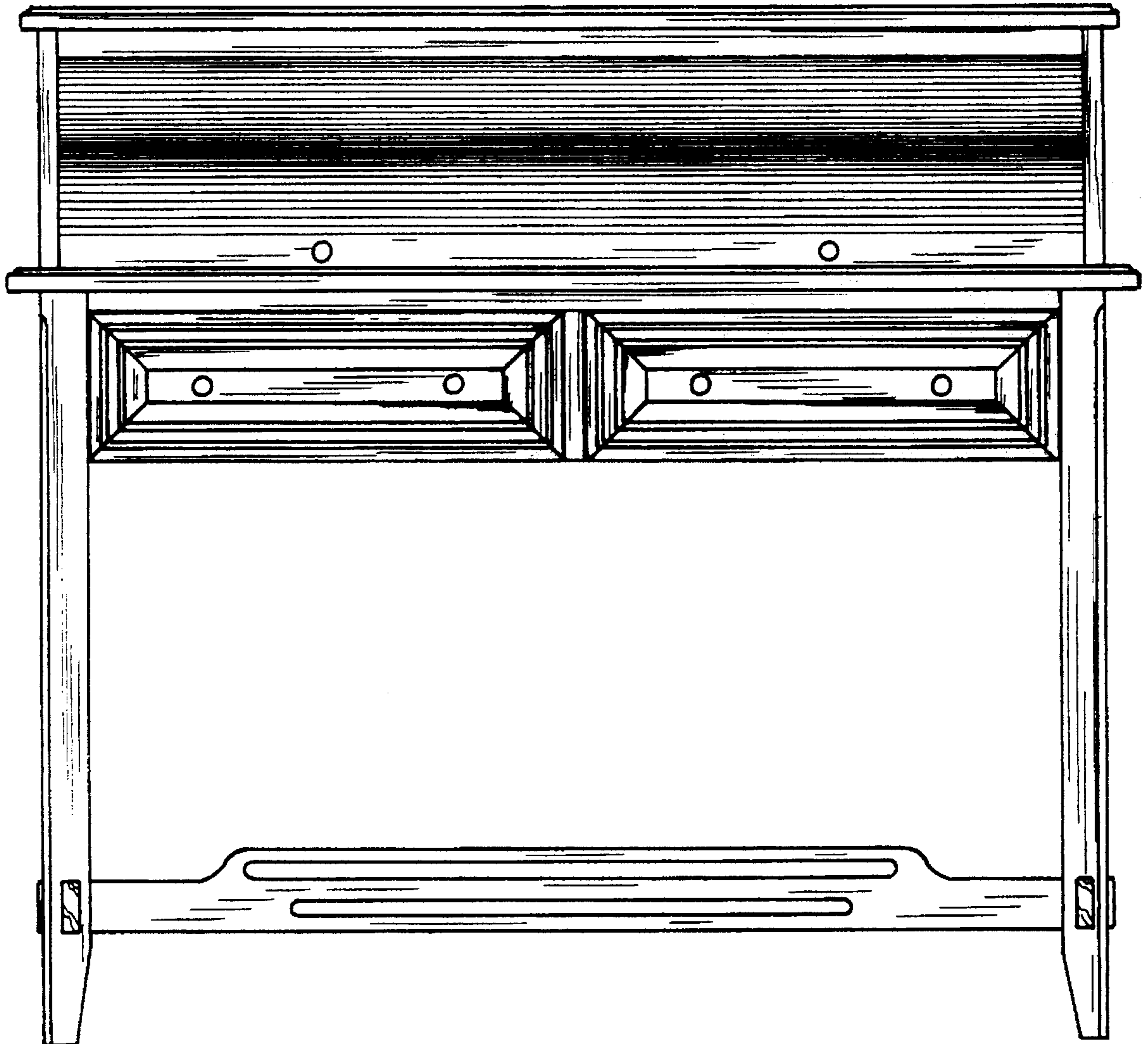


FIG. 6

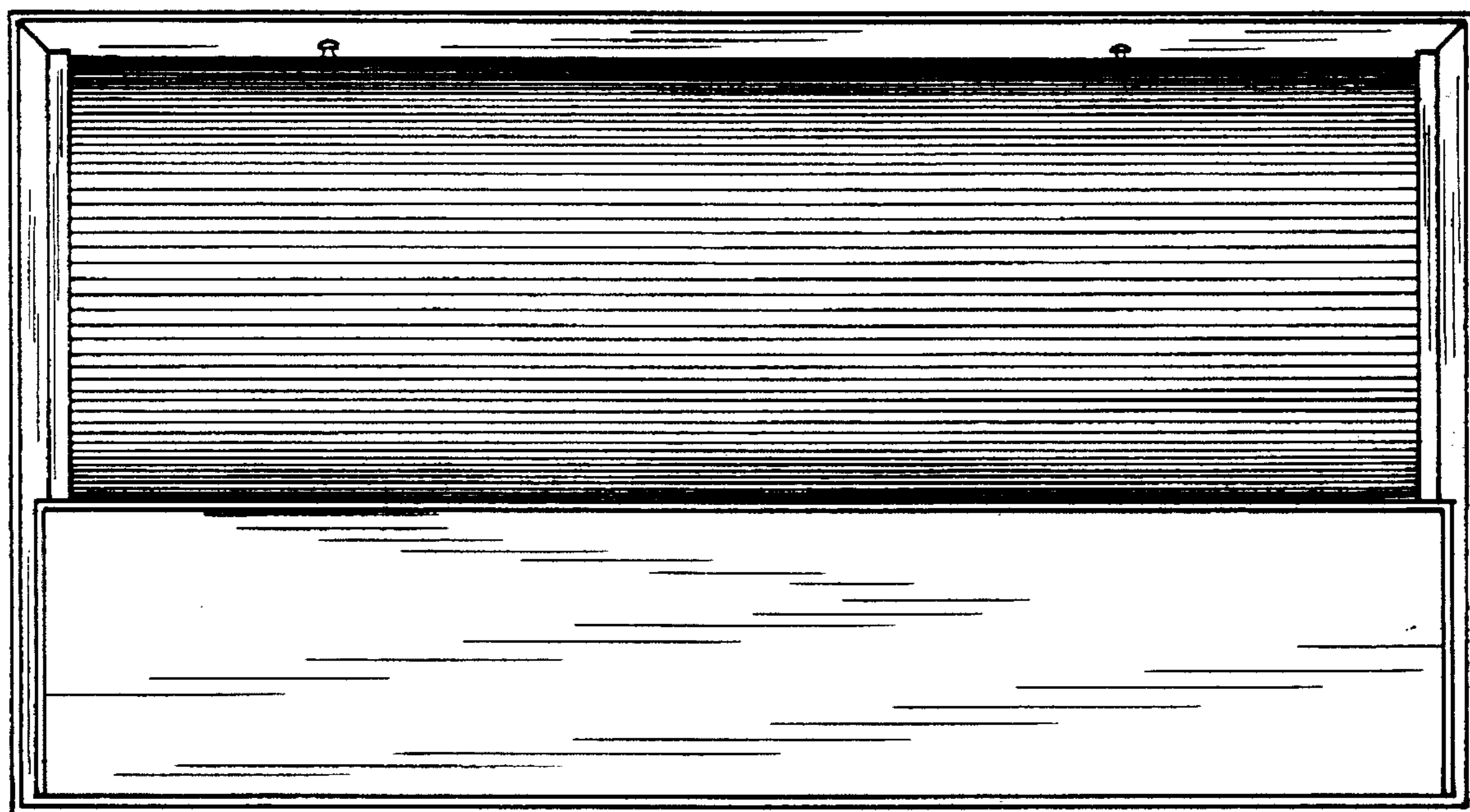


FIG. 7

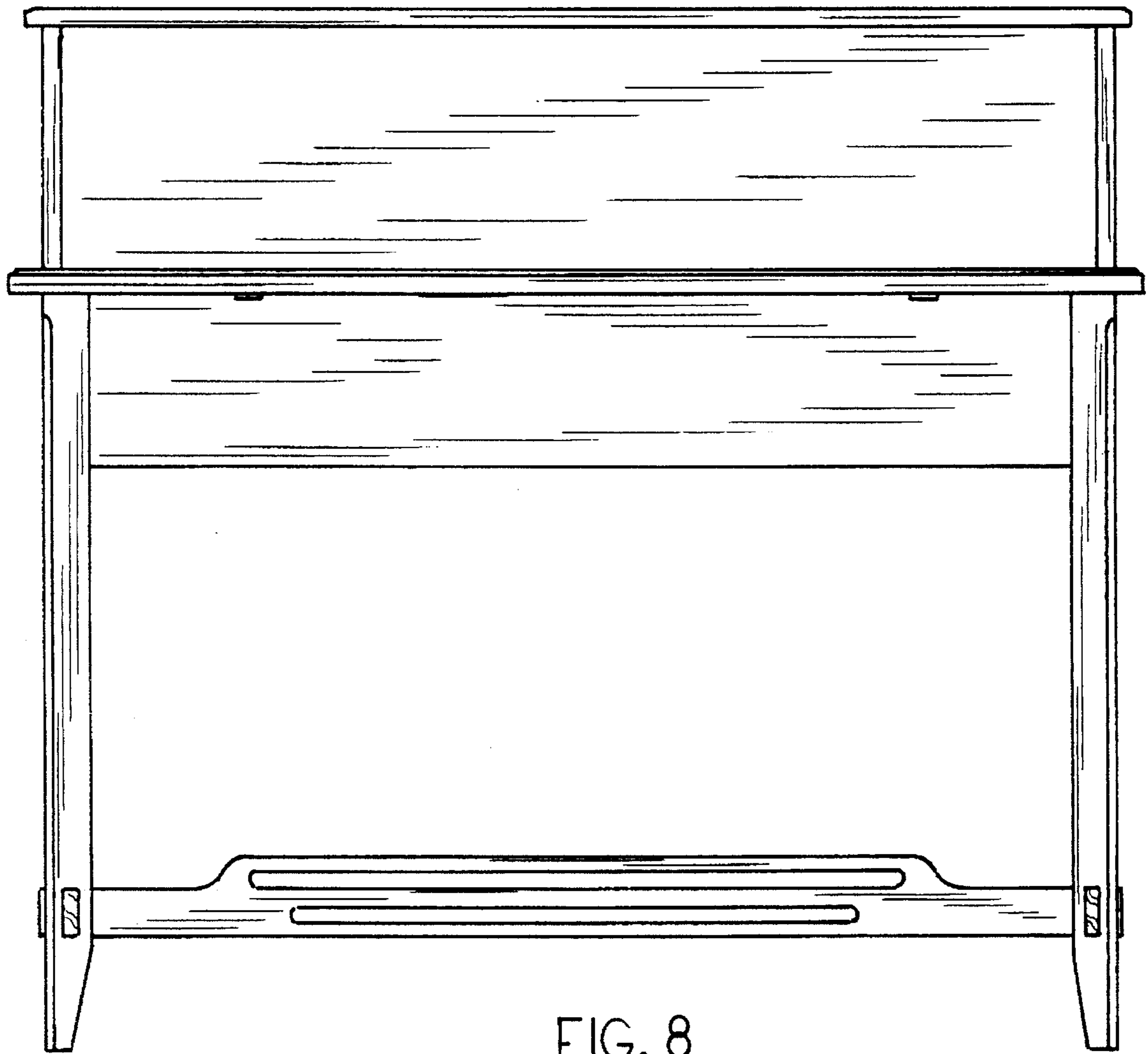


FIG. 8