



US00D371014S

United States Patent [19]

[11] Patent Number: **Des. 371,014**

Smith et al.

[45] Date of Patent: ****Jun. 25, 1996**

[54] **LAUNDRY PRODUCTS STORAGE AND DISPENSING UNIT ADJACENT TO A CLOTHES WASHER**

[76] Inventors: **Paul C. Smith**, P.O. Box 1200, Occidental, Calif. 95465; **Barbara J. Smith**, P.O. Box 120, Camp Meeker, Calif. 95419

[**] Term: **14 Years**

[21] Appl. No.: **20,810**

[22] Filed: **Apr. 4, 1994**

[52] U.S. Cl. **D6/432; D32/25**

[58] Field of Search **D6/396, 397, 432-448; D32/25; 312/204**

[56] References Cited

U.S. PATENT DOCUMENTS

D. 286,958	12/1986	Gualtieri	D6/432
D. 306,923	3/1990	Bodecker et al.	D32/25
D. 326,023	5/1992	Hurn	D6/432 X
D. 356,192	5/1995	Wolff	D32/25
3,973,813	8/1976	Nesmith, Jr.	312/204
5,335,962	8/1994	Gera	D6/397 X

Primary Examiner—Alan P. Douglas
Assistant Examiner—Cathron B. Matta

[57] CLAIM

The ornamental design for a laundry products storage and dispensing unit adjacent to a clothes washer, as shown and described.

DESCRIPTION

FIG. 1 is a perspective view of the preferred embodiment of a laundry products storage and dispensing unit showing our new design between a clothes washer and dryer;
FIG. 2 is a perspective view of a second embodiment of the laundry products storage and dispensing unit incorporating a sheet goods dispenser in the front leg;

FIG. 3 is a perspective view of a third embodiment of the laundry products storage and dispensing unit incorporating a refuse container in the front leg;

FIG. 4 is a perspective view of a fourth embodiment of the laundry products storage and dispensing unit having a sheet goods dispenser incorporated in a refuse container in the front leg;

FIG. 5 is a perspective view of a fifth embodiment of the laundry products storage and dispensing unit incorporating a sheet goods dispenser in the front of the bin;

FIG. 6 is a perspective view of a sixth embodiment of the laundry products storage and dispensing unit incorporating a sheet goods dispenser in the front of the bin and a refuse container in the front leg;

FIG. 7 is a top plan view common to FIGS. 1-6;

FIG. 8 is a back elevational view common to FIGS. 1-6;

FIG. 9 is a right side elevational view of the storage and dispensing unit of FIGS. 1 and 5;

FIG. 10 is a right side elevational view of the storage and dispensing unit of FIG. 2;

FIG. 11 is a right side elevational view of the storage and dispensing unit of FIGS. 3, 4 and 6;

FIG. 12 is a left side elevational view of the storage and dispensing unit of FIGS. 1 and 5;

FIG. 13 is a left side elevational view of the storage and dispensing unit of FIG. 2;

FIG. 14 is a left side elevational view of the storage and dispensing unit of FIGS. 3, 4, and 6;

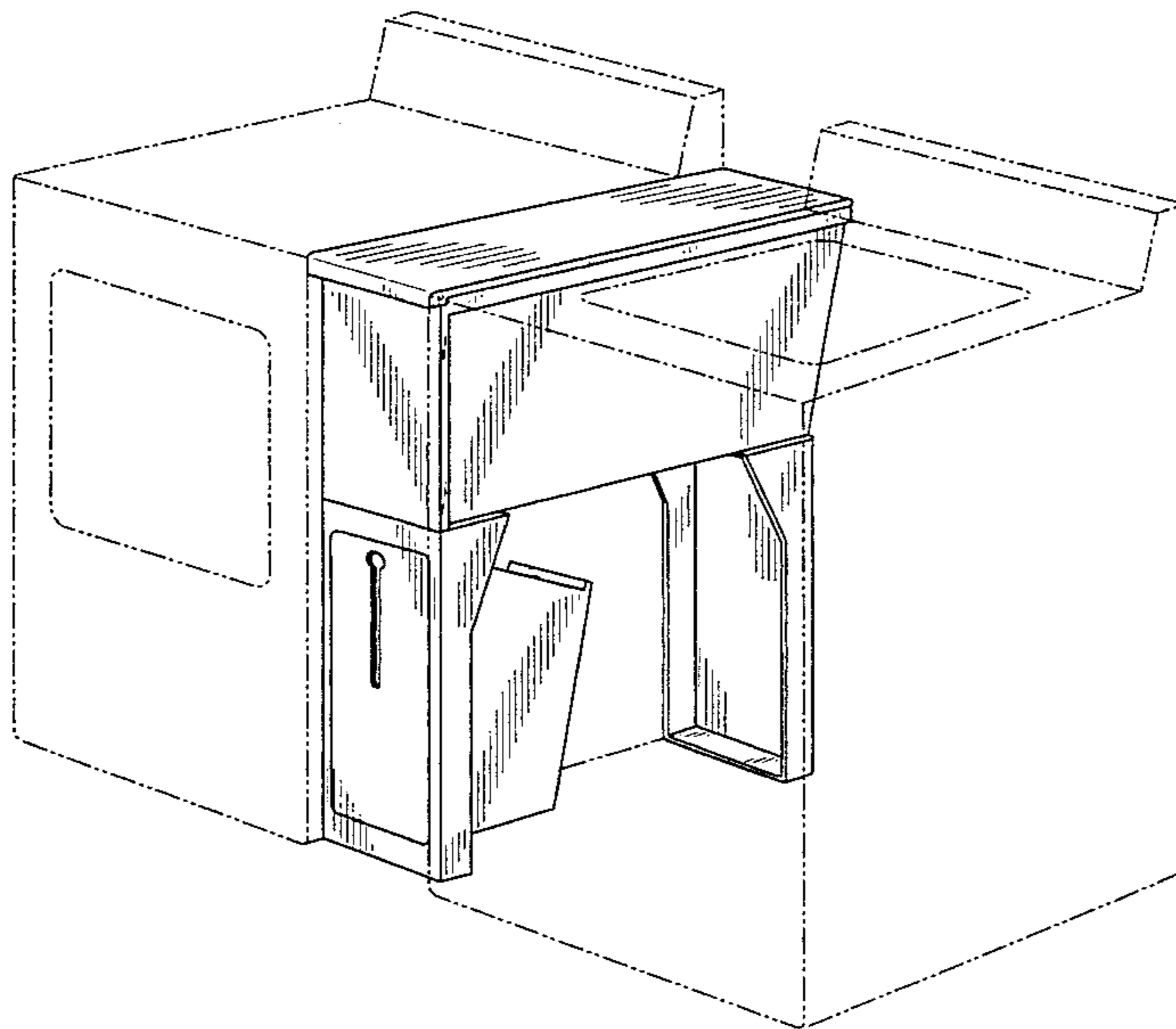
FIG. 15 is a bottom plan view of the storage and dispensing unit of FIGS. 1 and 5;

FIG. 16 is a bottom plan view of the storage and dispensing unit of FIG. 2; and,

FIG. 17 is a bottom plan view of the storage and dispensing unit of FIGS. 3, 4, and 6.

The clothes washer and dryer or portions thereof shown in broken lines in FIGS. 1-17 are shown for illustrative purposes only and form no part of the claimed design.

1 Claim, 15 Drawing Sheets



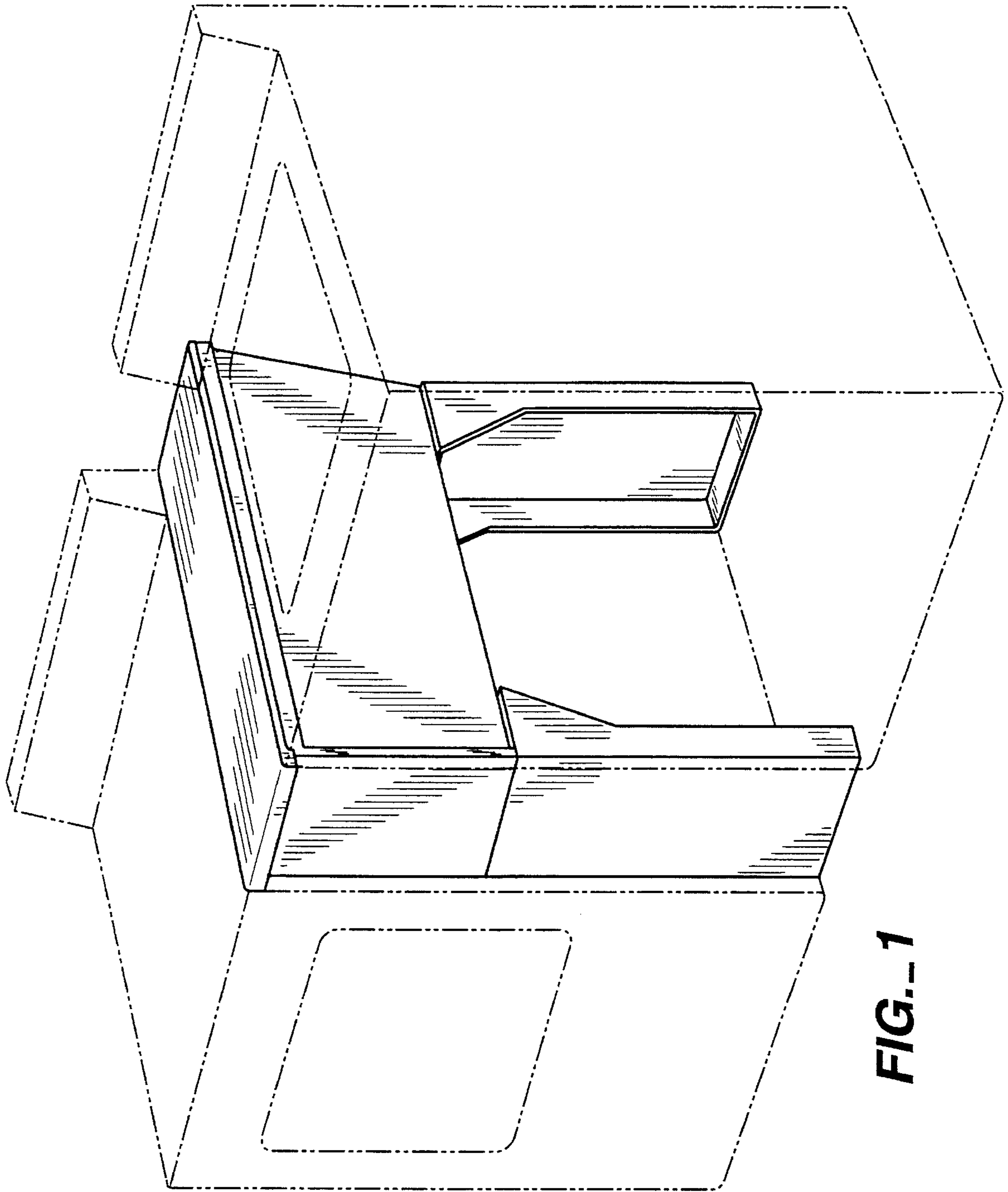


FIG. 1

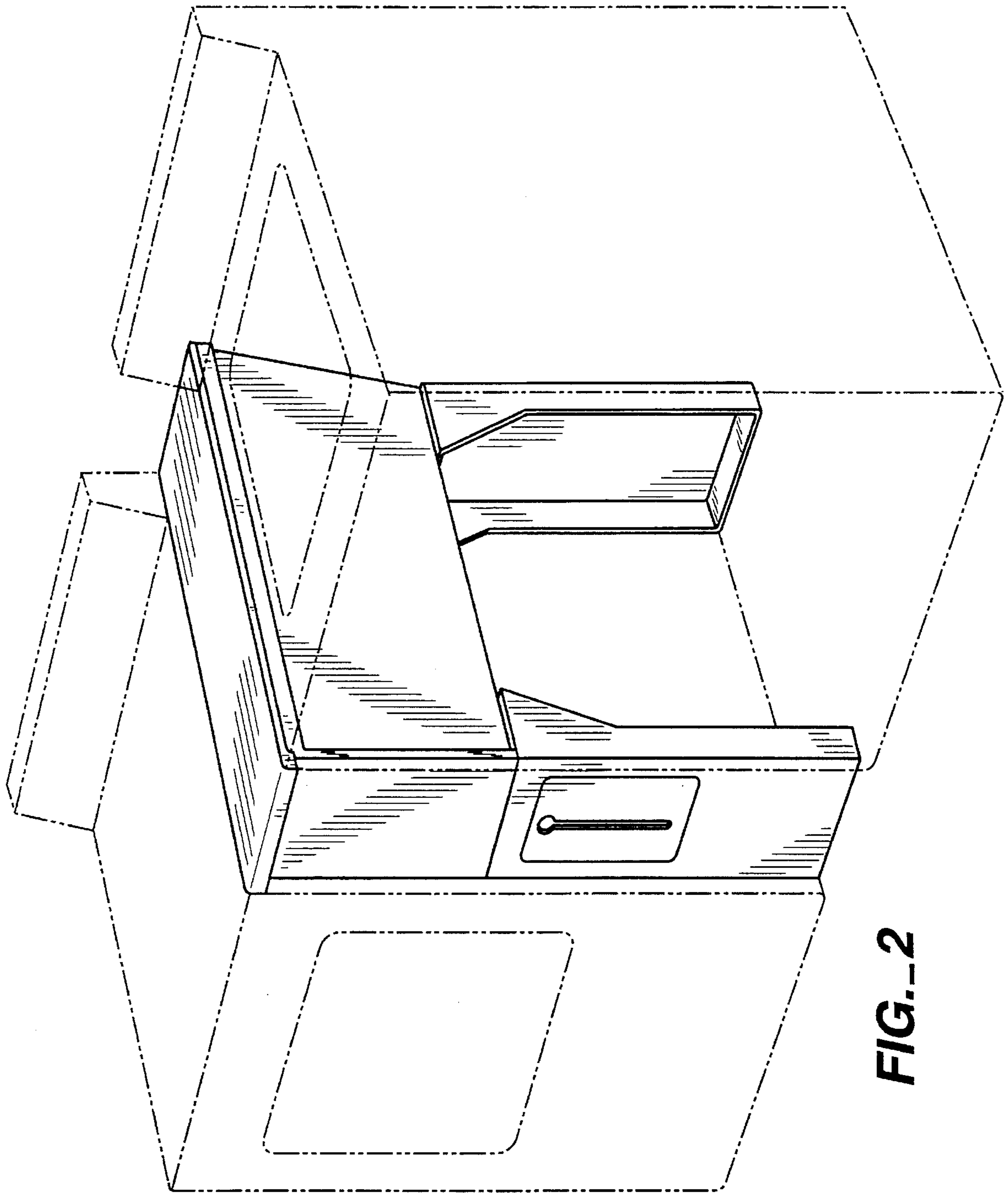


FIG.-2

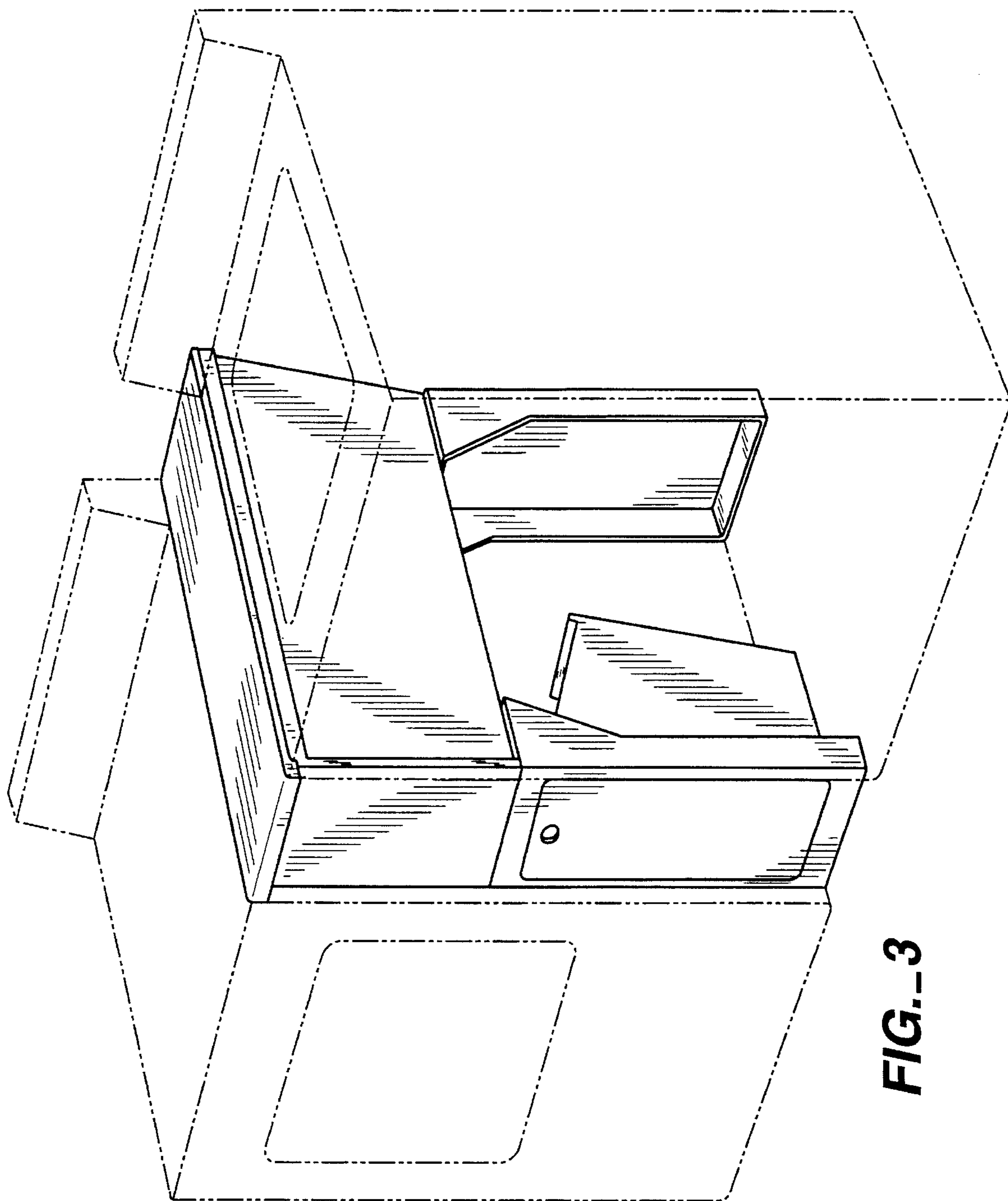


FIG.-3

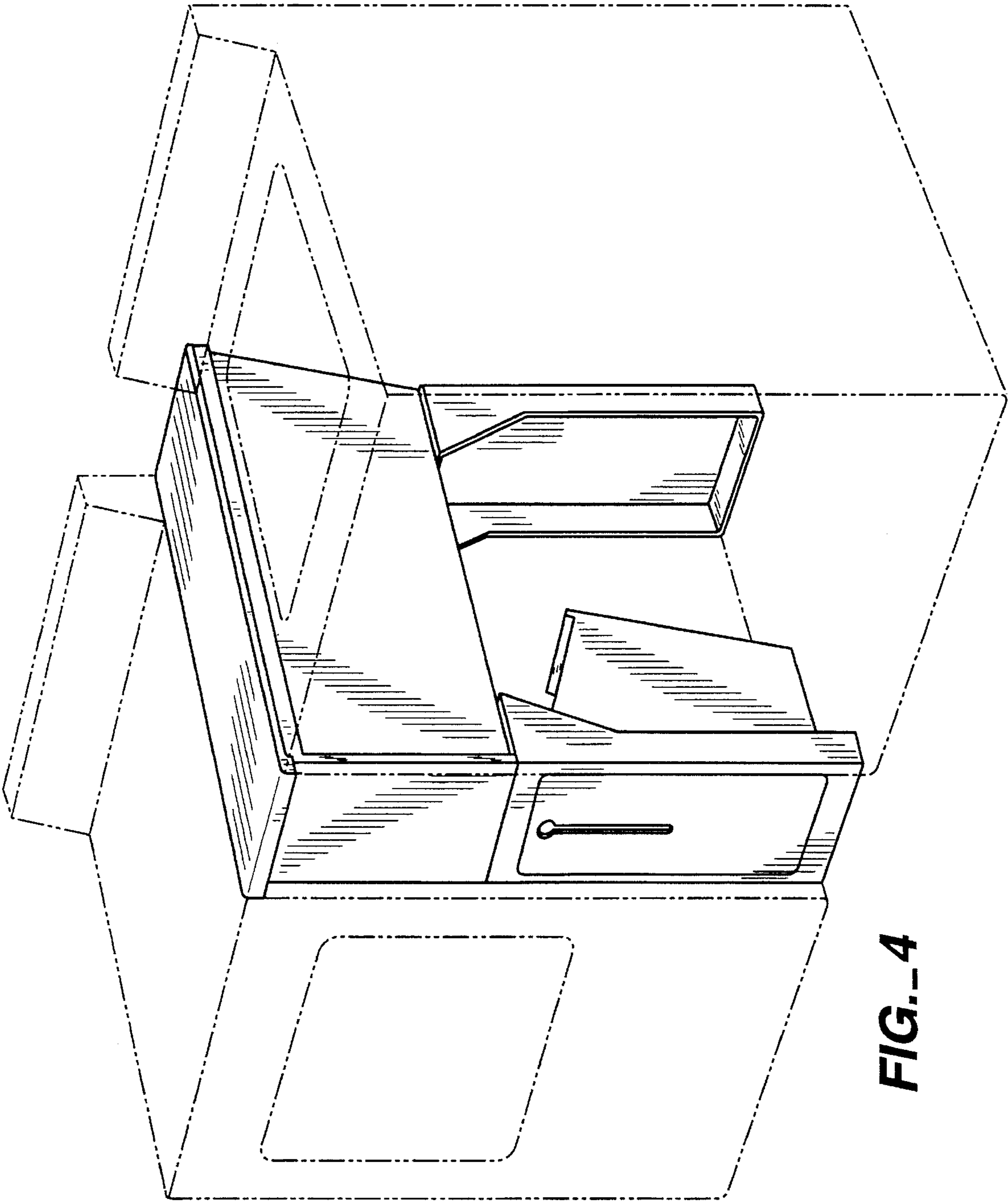


FIG. 4

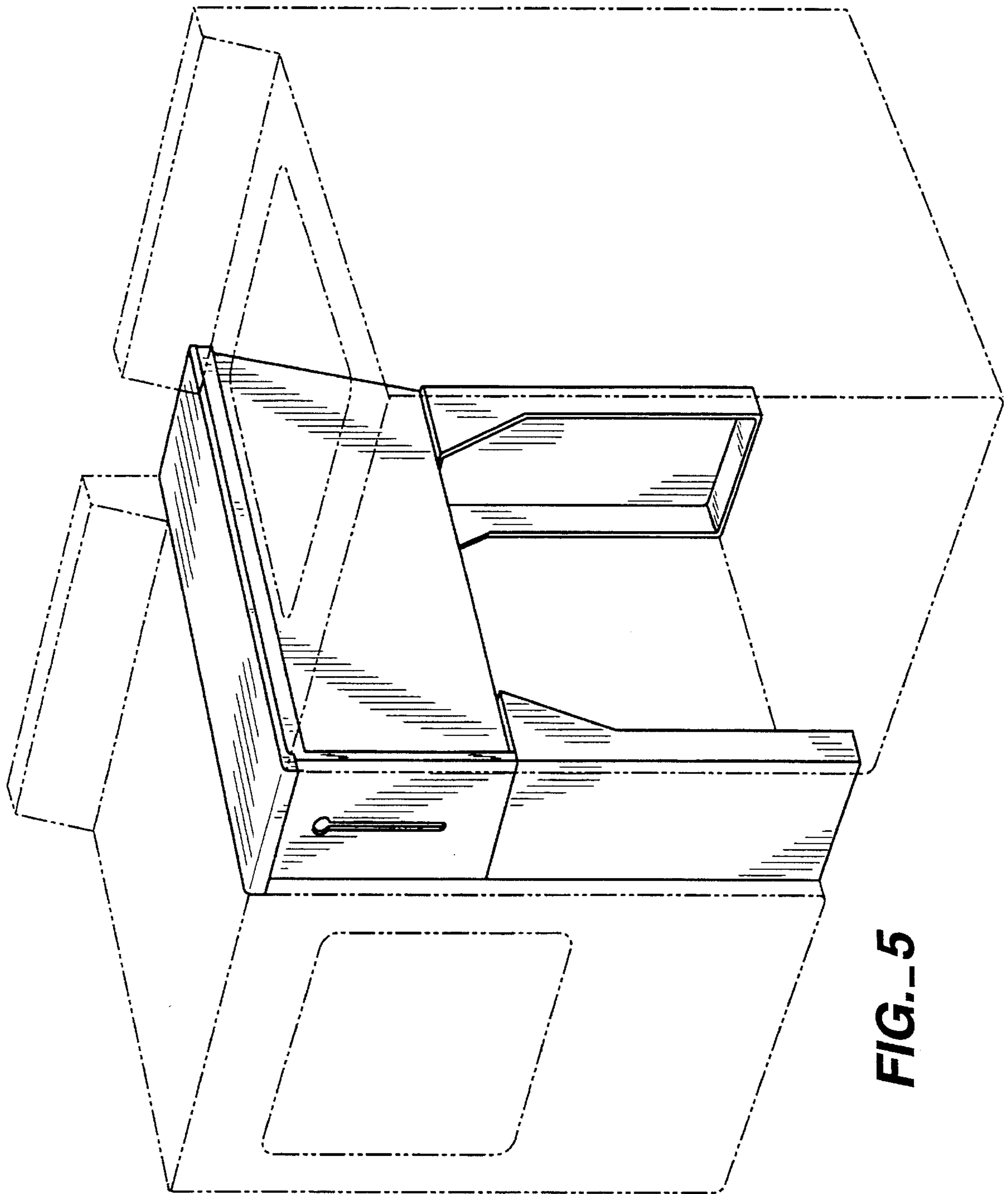


FIG.-5

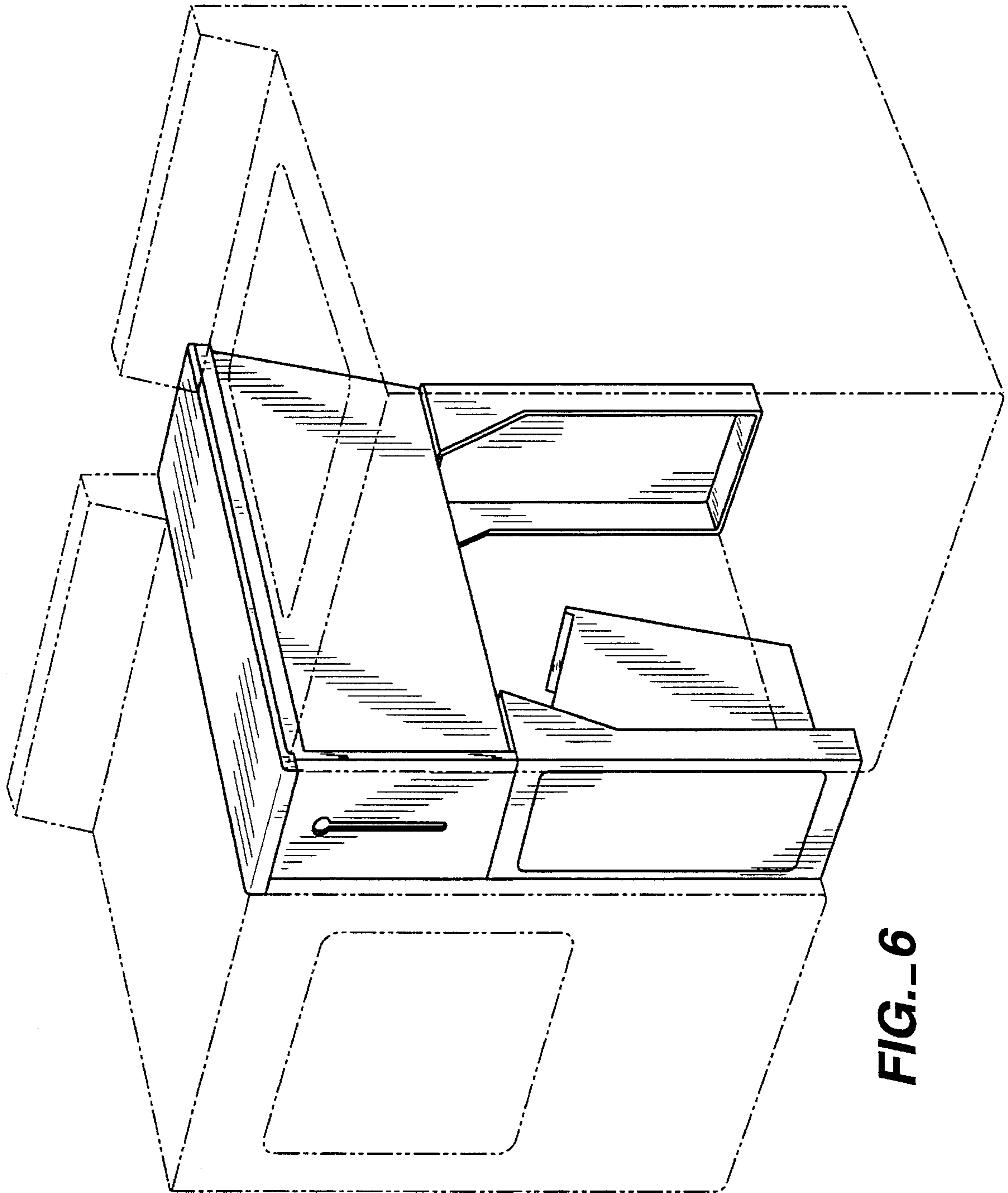


FIG. 6

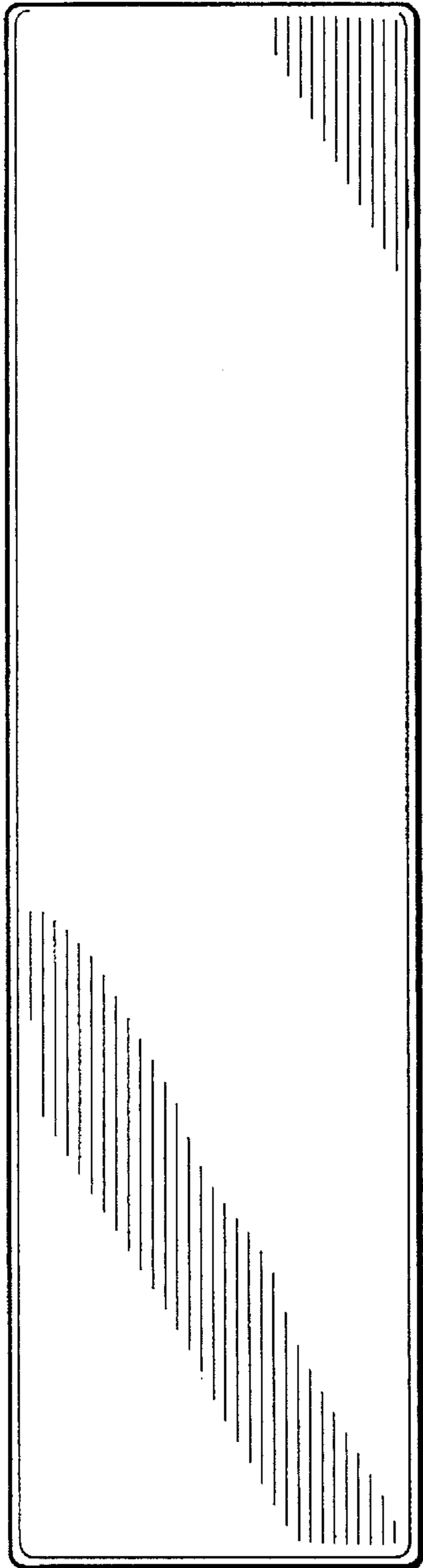


FIG. 7

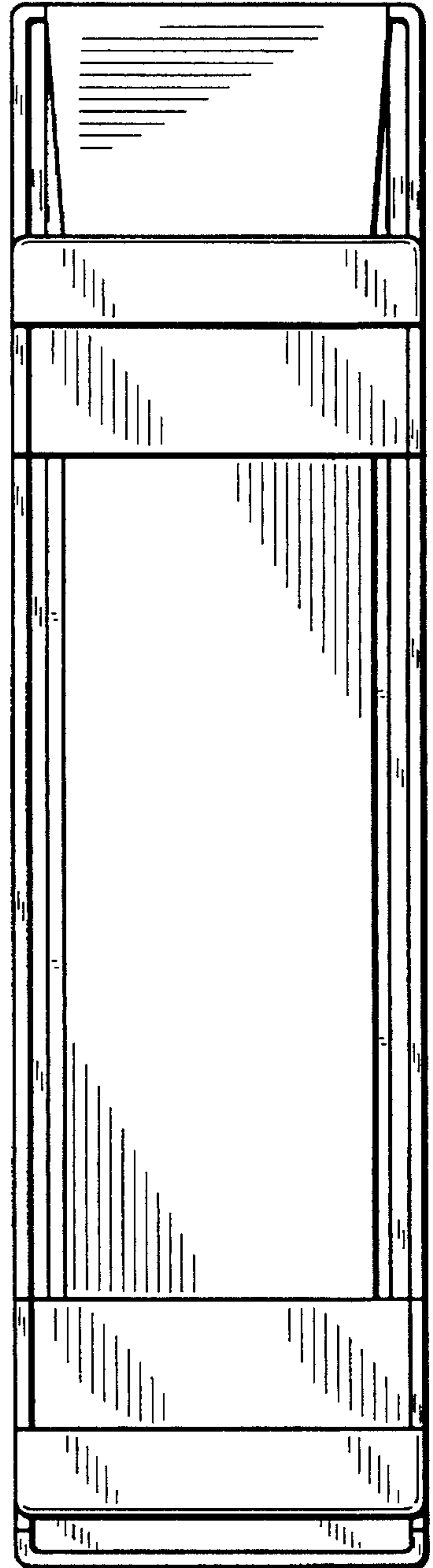


FIG. 15

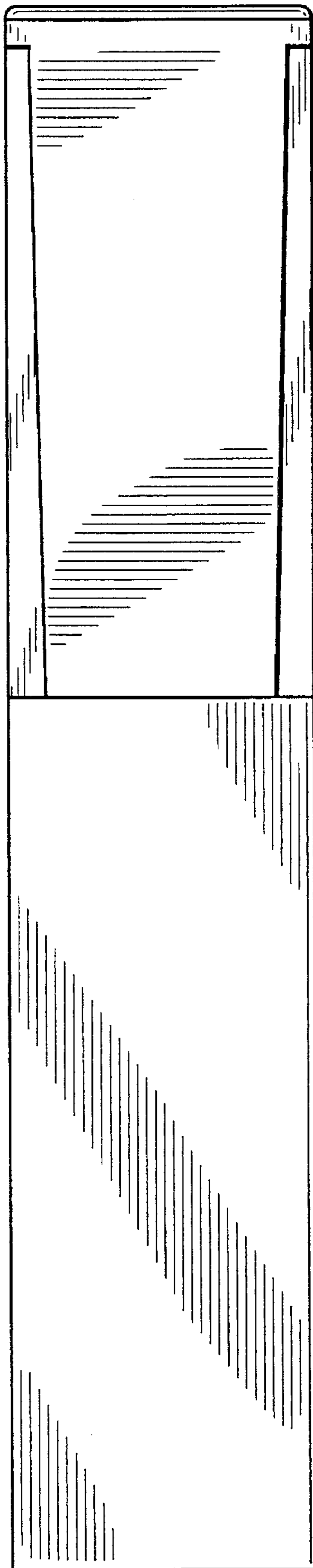


FIG. 8

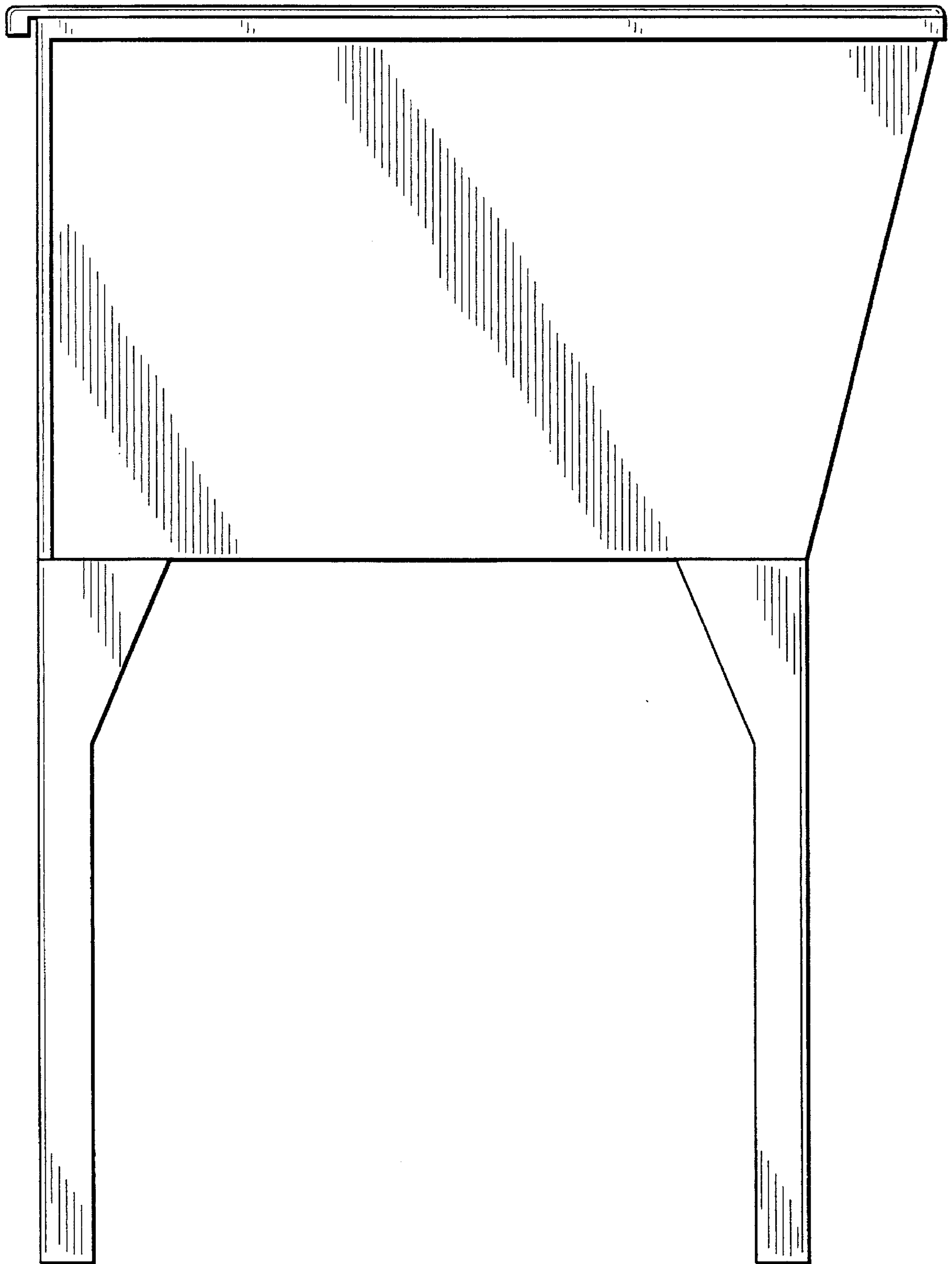


FIG. 9

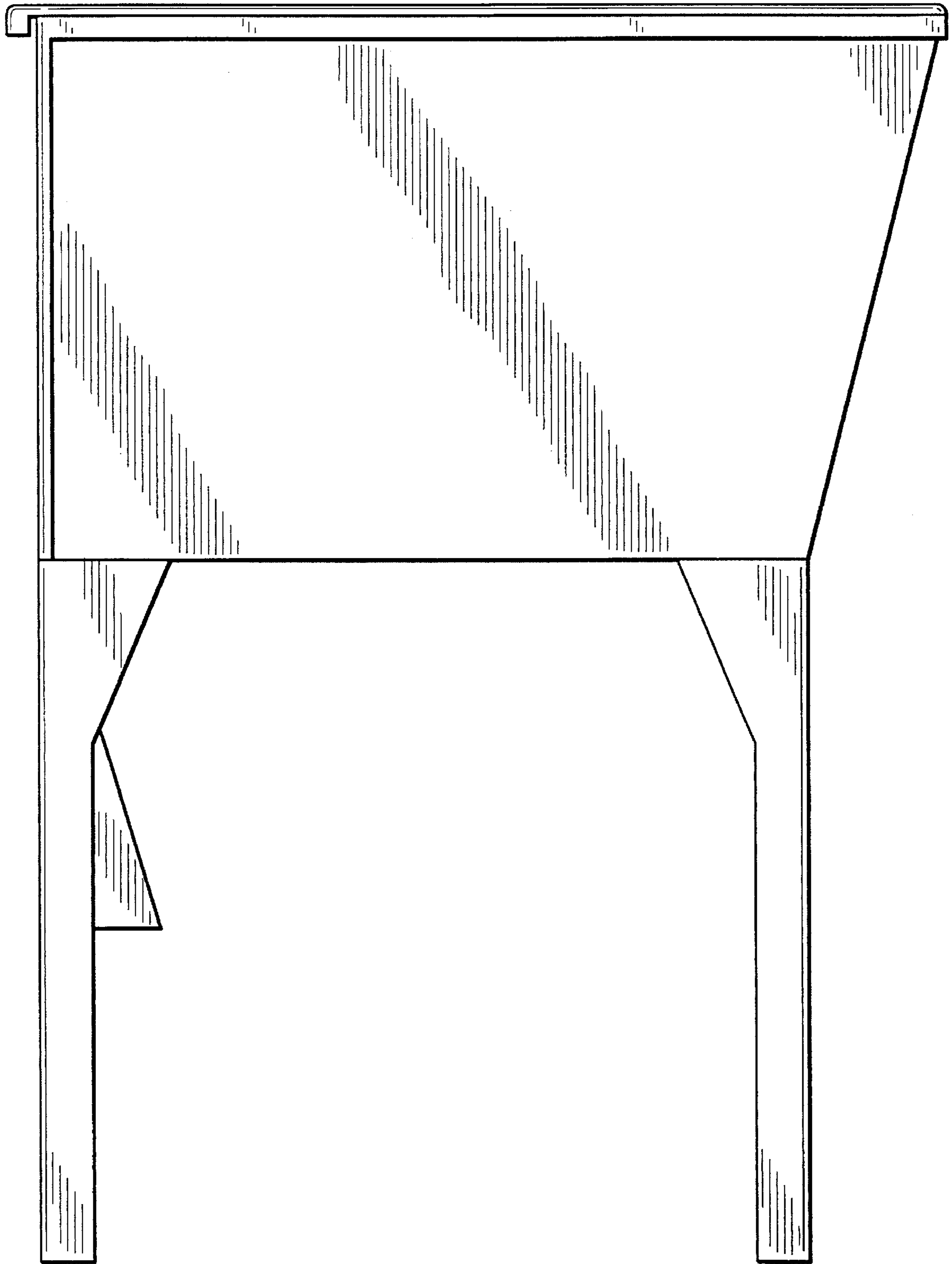


FIG. 10

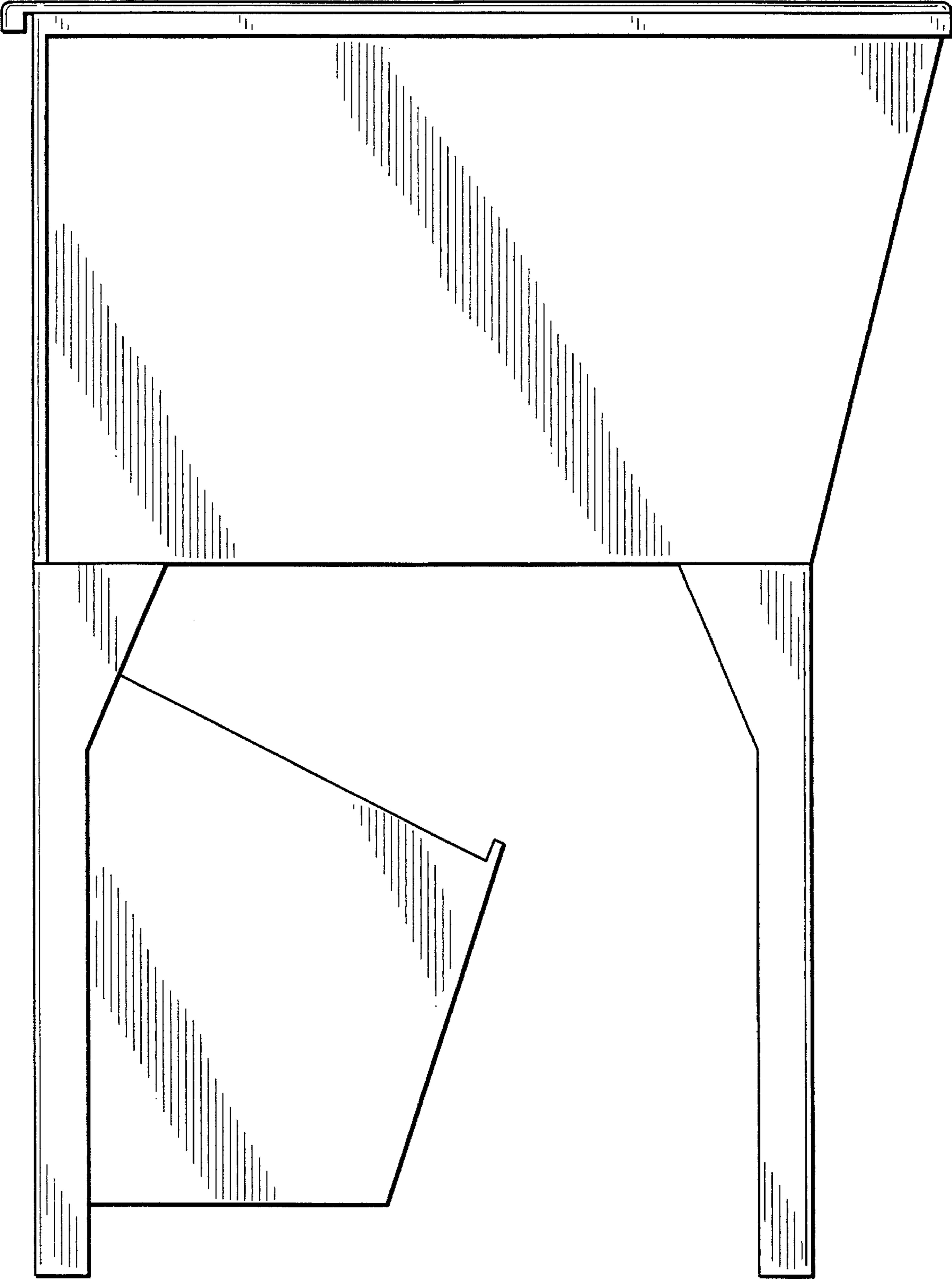


FIG. 11

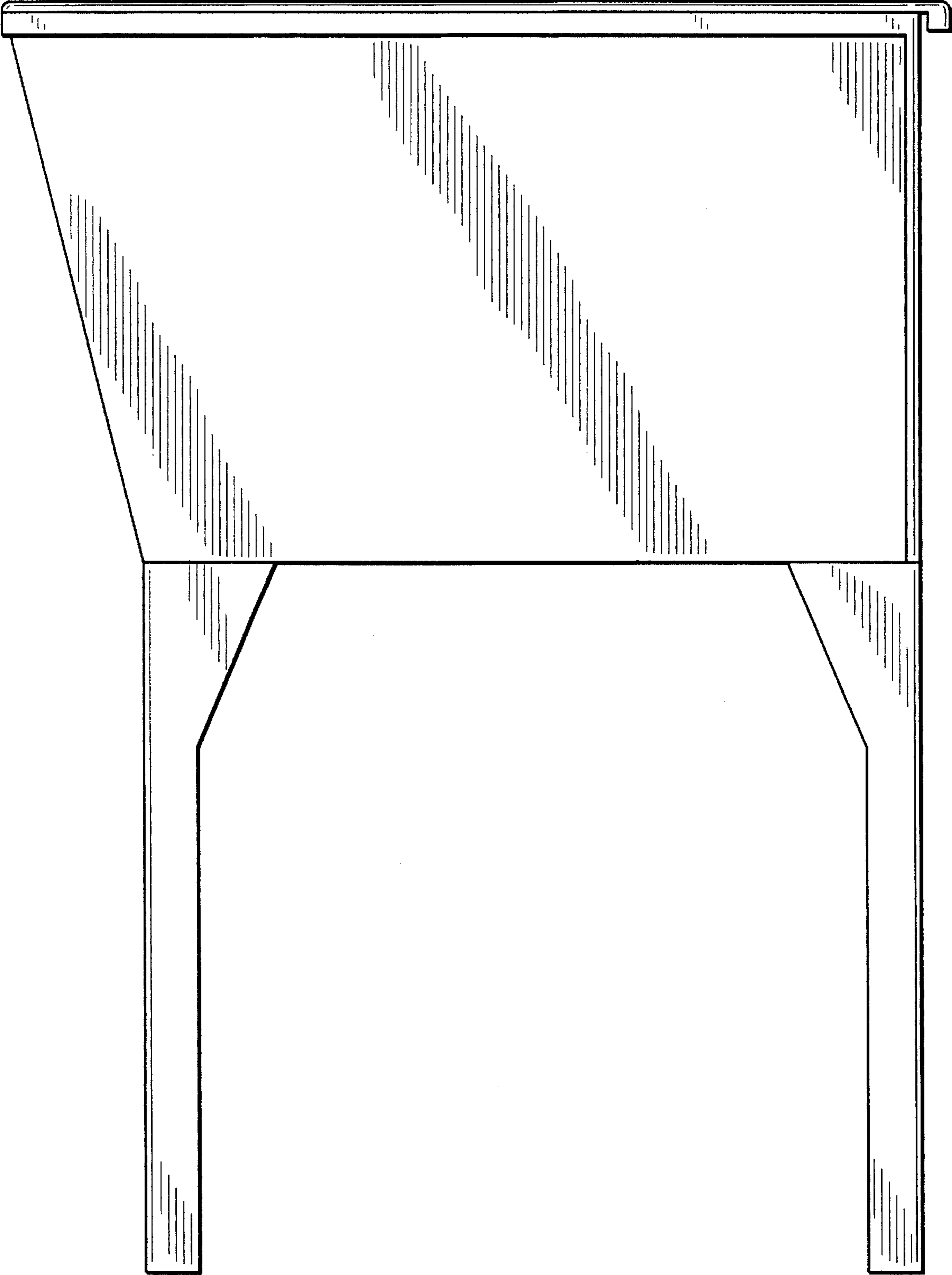


FIG. 12

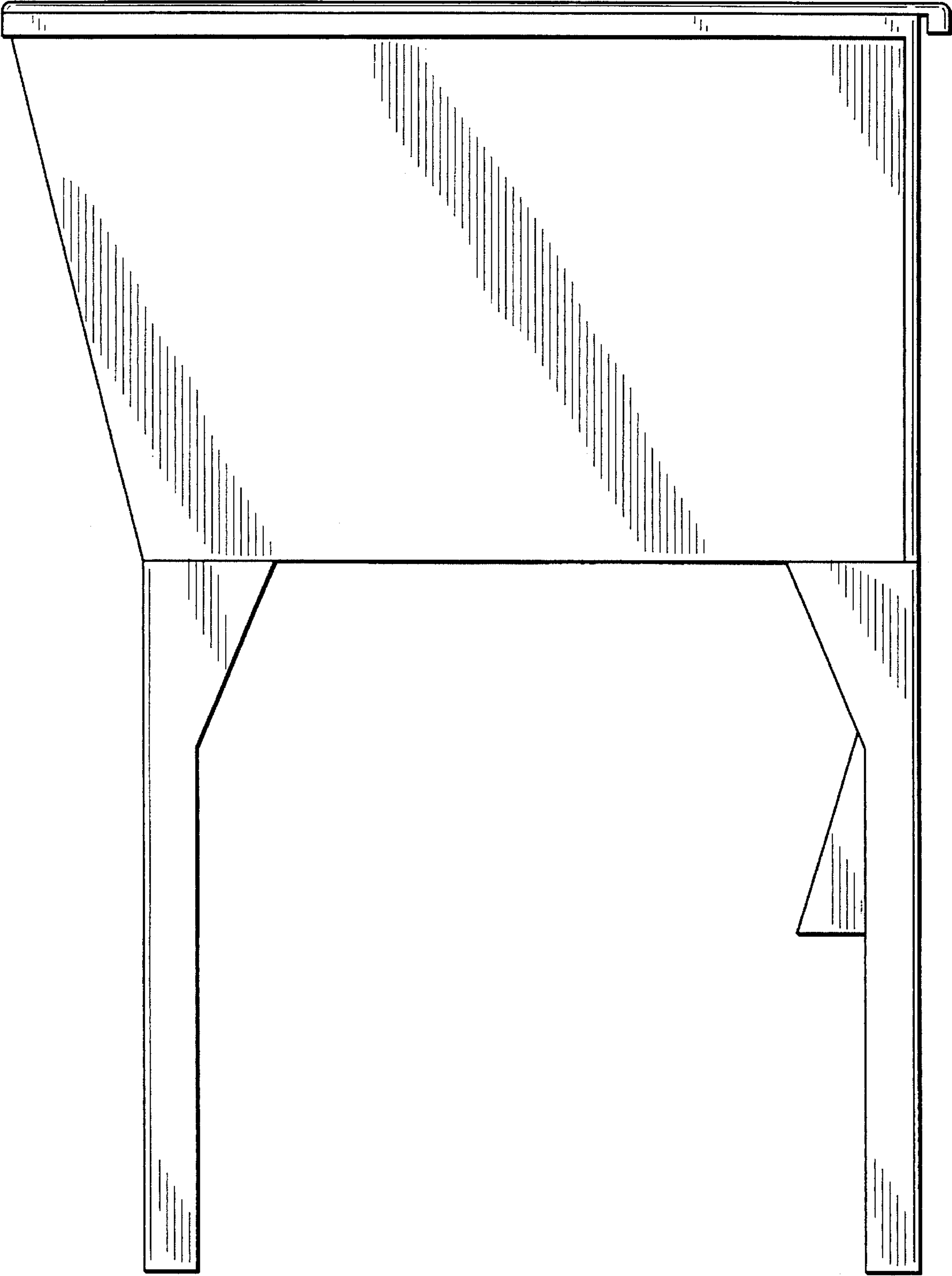


FIG. 13

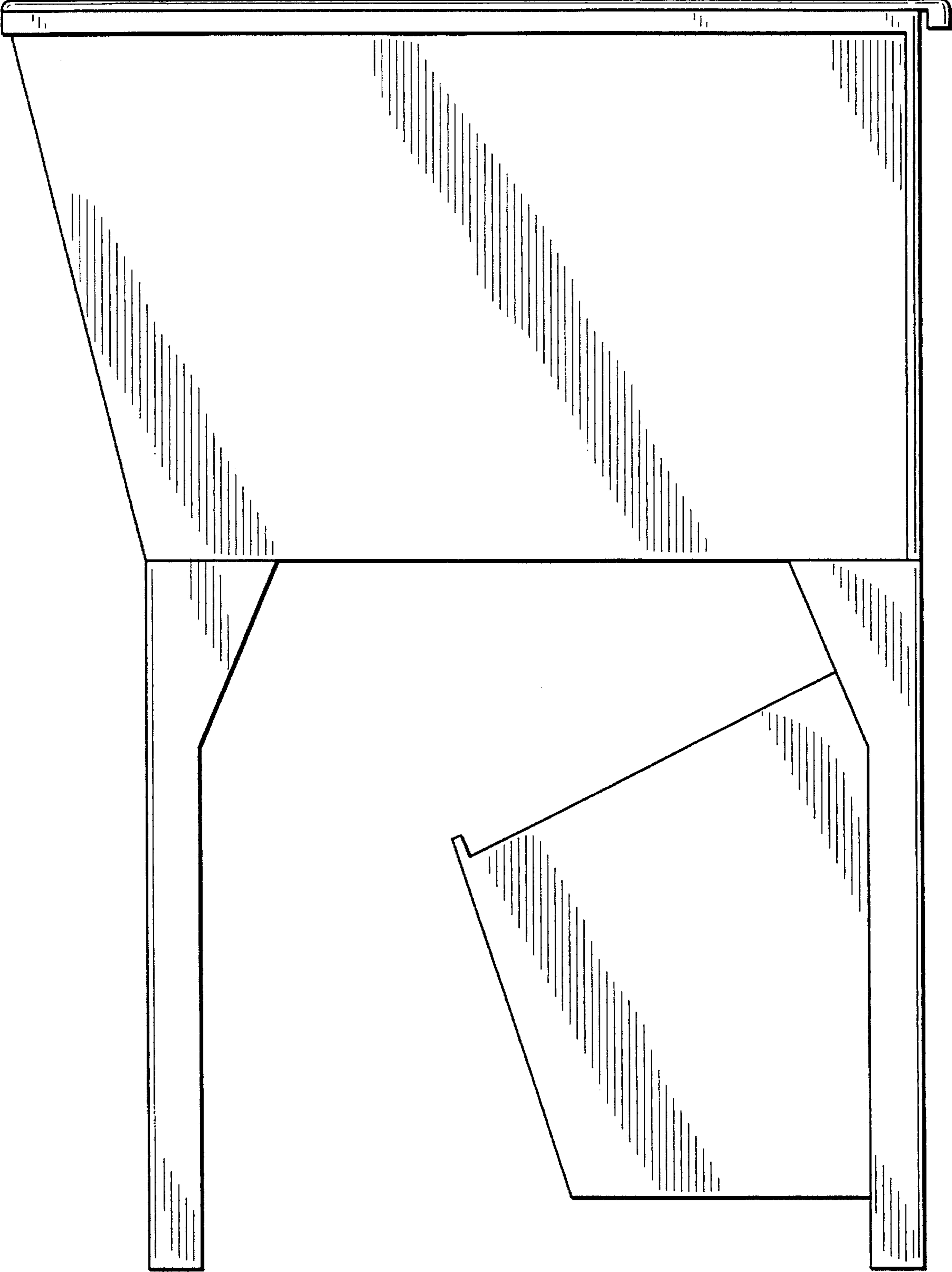


FIG. 14

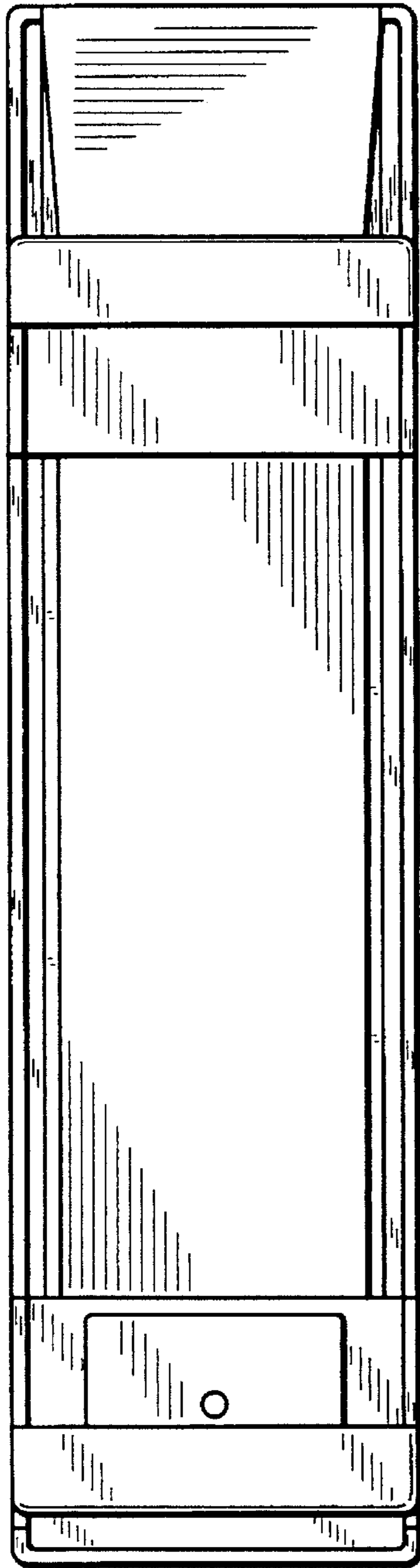


FIG. 16

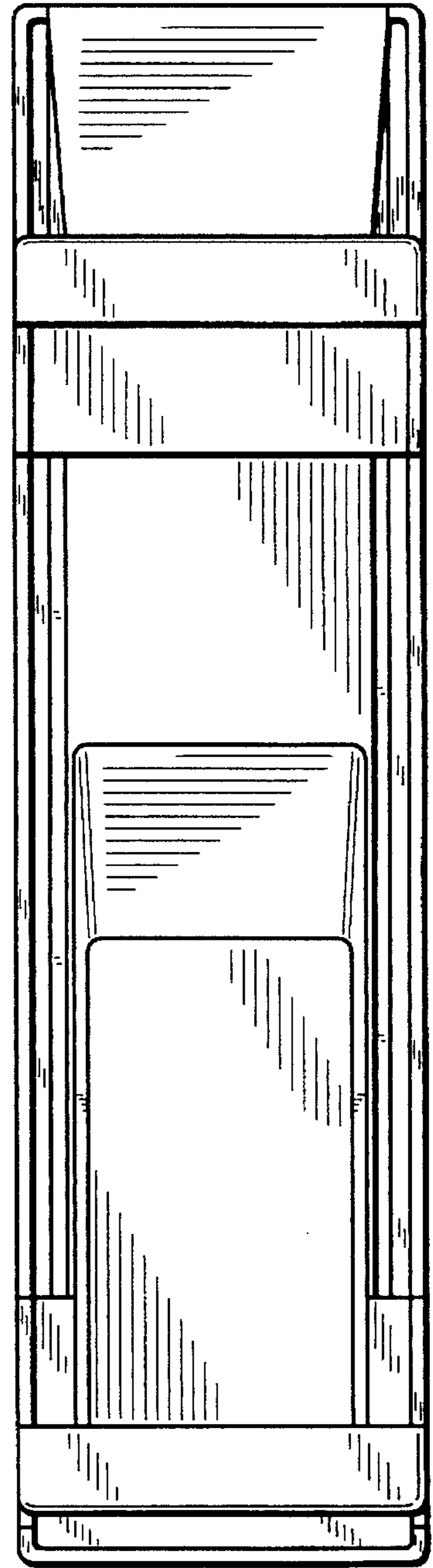


FIG. 17