



US00D371012S

United States Patent [19] Klein

[11] Patent Number: **Des. 371,012**
[45] Date of Patent: ****Jun. 25, 1996**

[54] **CHAIR**
[75] Inventor: **Richard S. Klein**, Los Angeles, Calif.
[73] Assignee: **Cal-Style Furniture Mfg. Co.**,
Compton, Calif.
[**] Term: **14 Years**
[21] Appl. No.: **36,137**
[22] Filed: **Mar. 13, 1995**

D. 276,768 12/1984 Enthoven D6/379
D. 288,635 3/1987 Vidal D6/379
D. 291,035 7/1987 Strousse et al. D6/379 X
D. 298,090 10/1988 Kaminski D6/379
4,545,615 10/1985 Kane D6/379 X

Primary Examiner—Gary D. Watson
Attorney, Agent, or Firm—Edgar A. Zarins; Malcolm L.
Sutherland

[57] **CLAIM**

The ornamental design for a chair, as shown and described.

Related U.S. Application Data

[63] Continuation of Ser. No. 12,670, Sep. 7, 1993, abandoned.
[52] U.S. Cl. **D6/373; D6/379; D6/380**
[58] Field of Search D6/334, 370, 371,
D6/373, 374, 379, 380, 500, 501, 502;
297/411.41

DESCRIPTION

FIG. 1 is a perspective view of a chair showing my new design;
FIG. 2 is a front elevational view thereof;
FIG. 3 is a left side view thereof, the opposite side being a mirror image of the side shown;
FIG. 4 is a top plan view thereof; and,
FIG. 5 is a bottom plan view thereof.

[56] **References Cited**

U.S. PATENT DOCUMENTS

D. 178,608 8/1956 Larsen D6/379

1 Claim, 3 Drawing Sheets

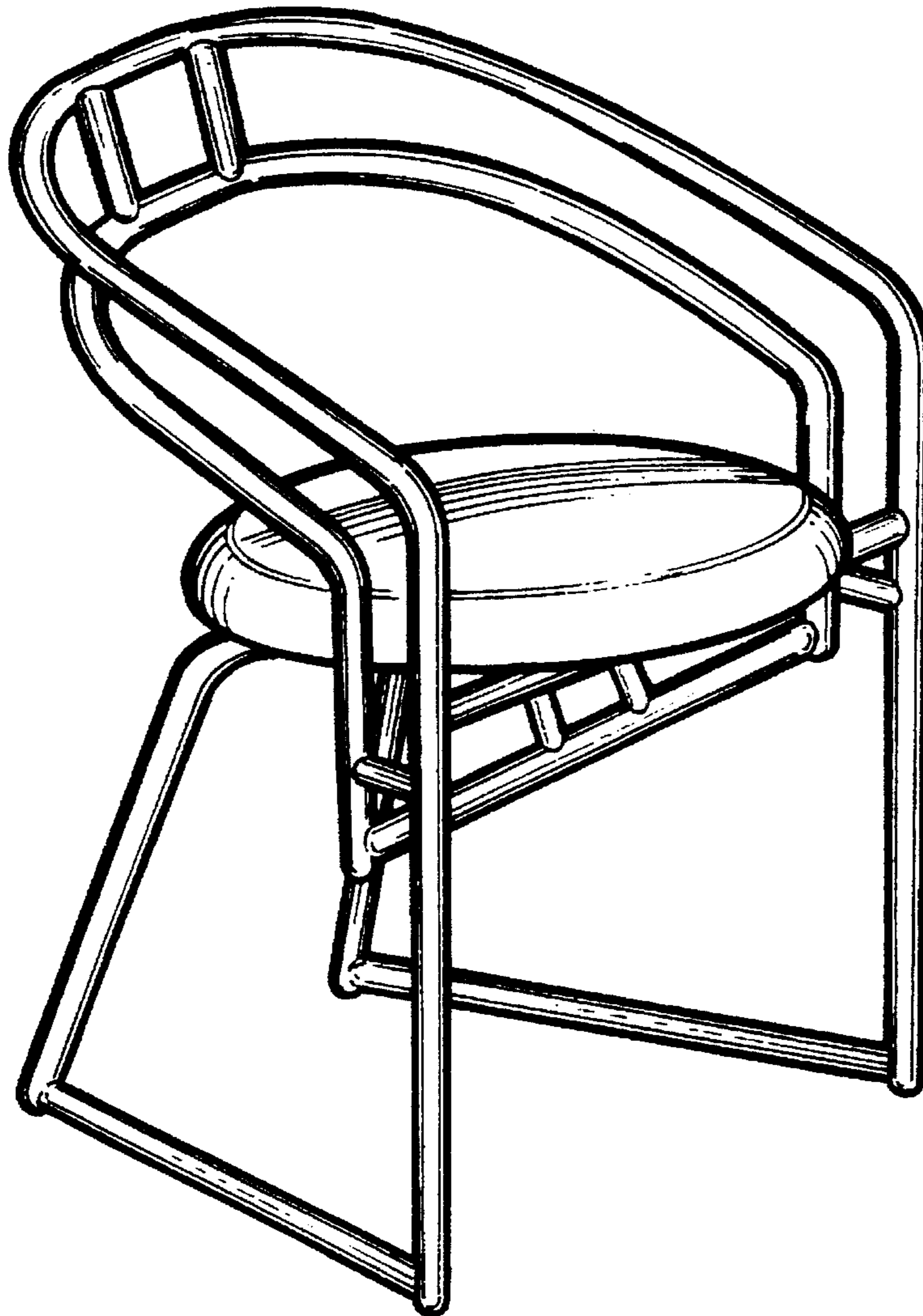


Fig-1

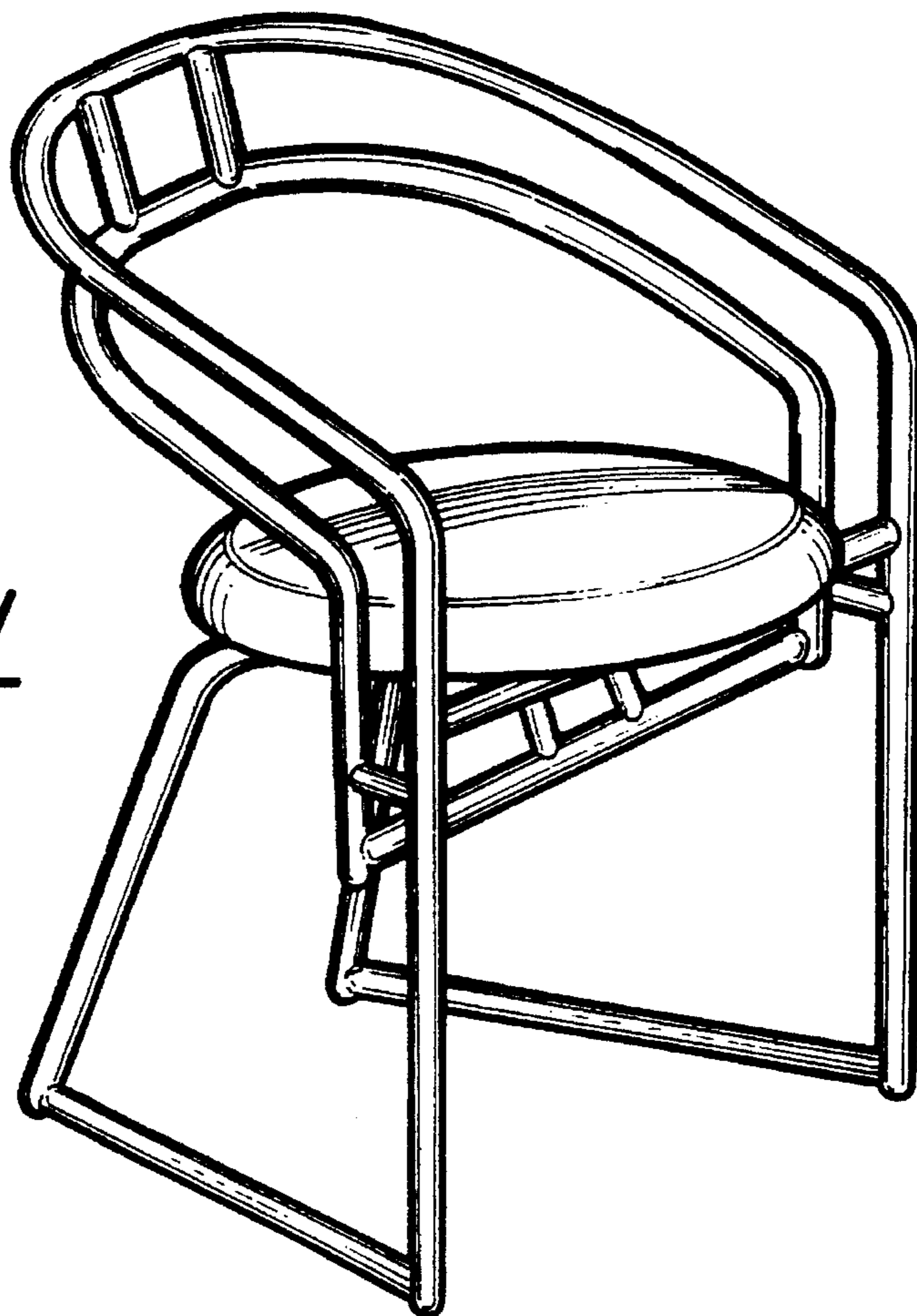
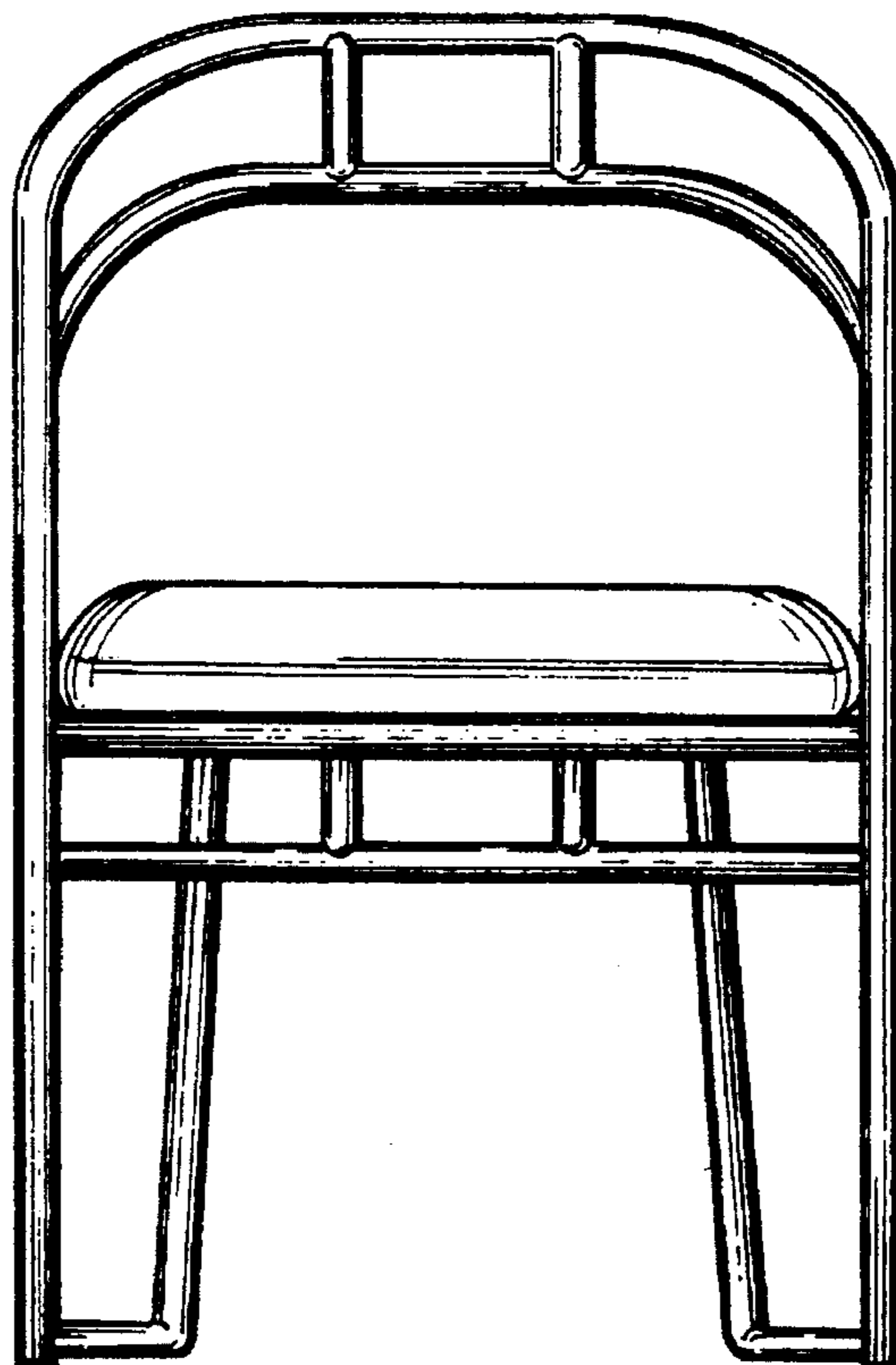


Fig-2



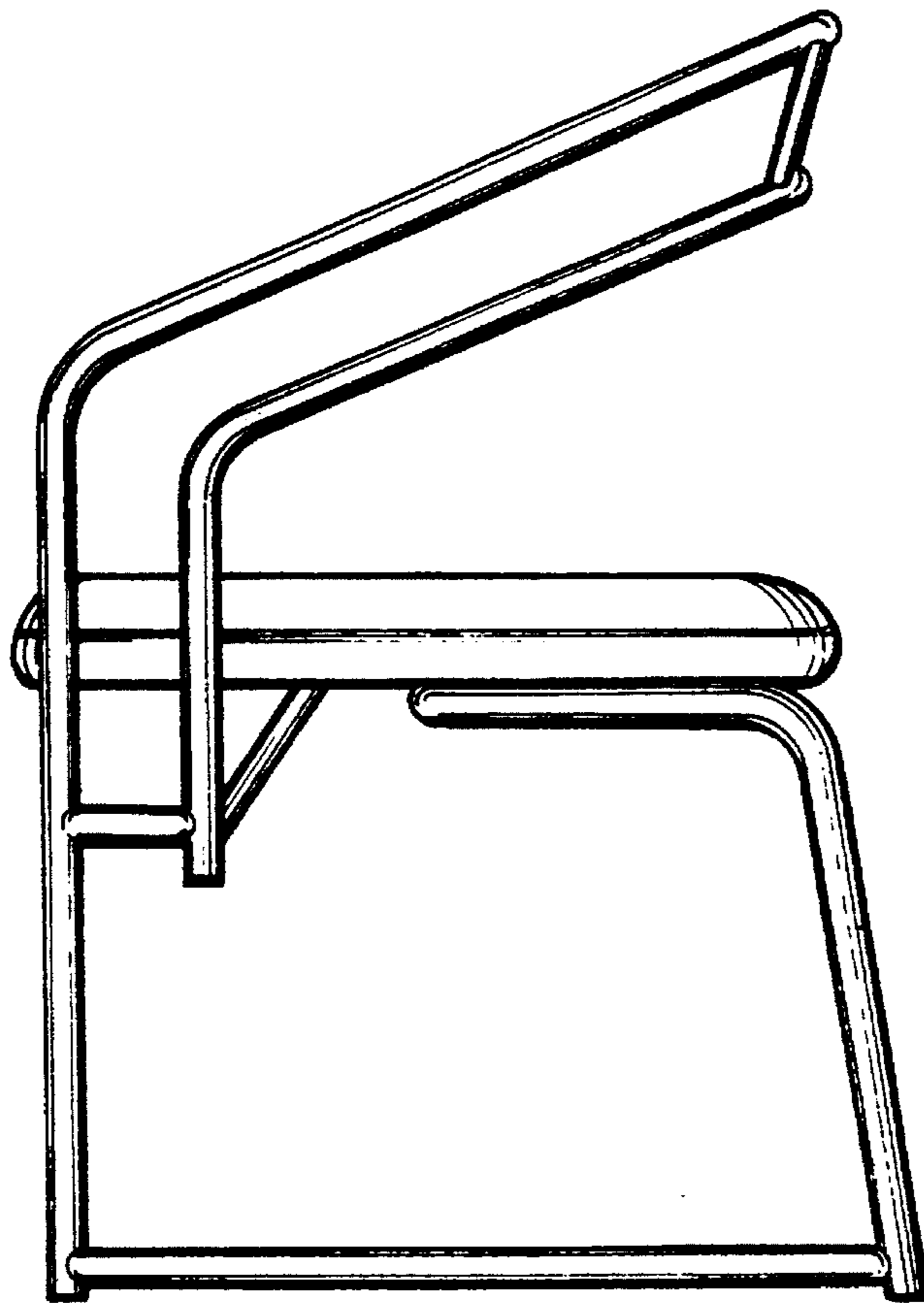


Fig-3

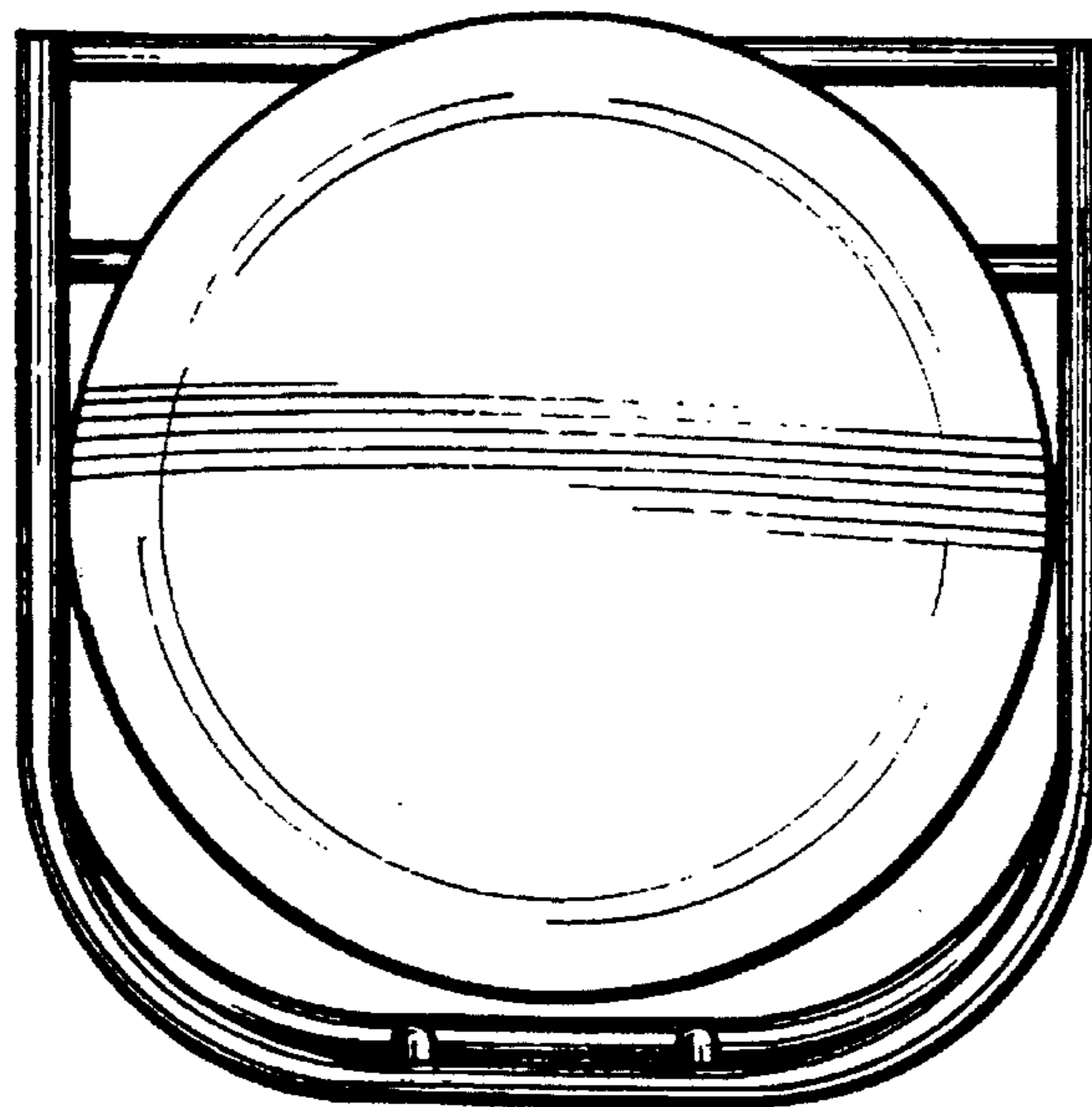


Fig-4

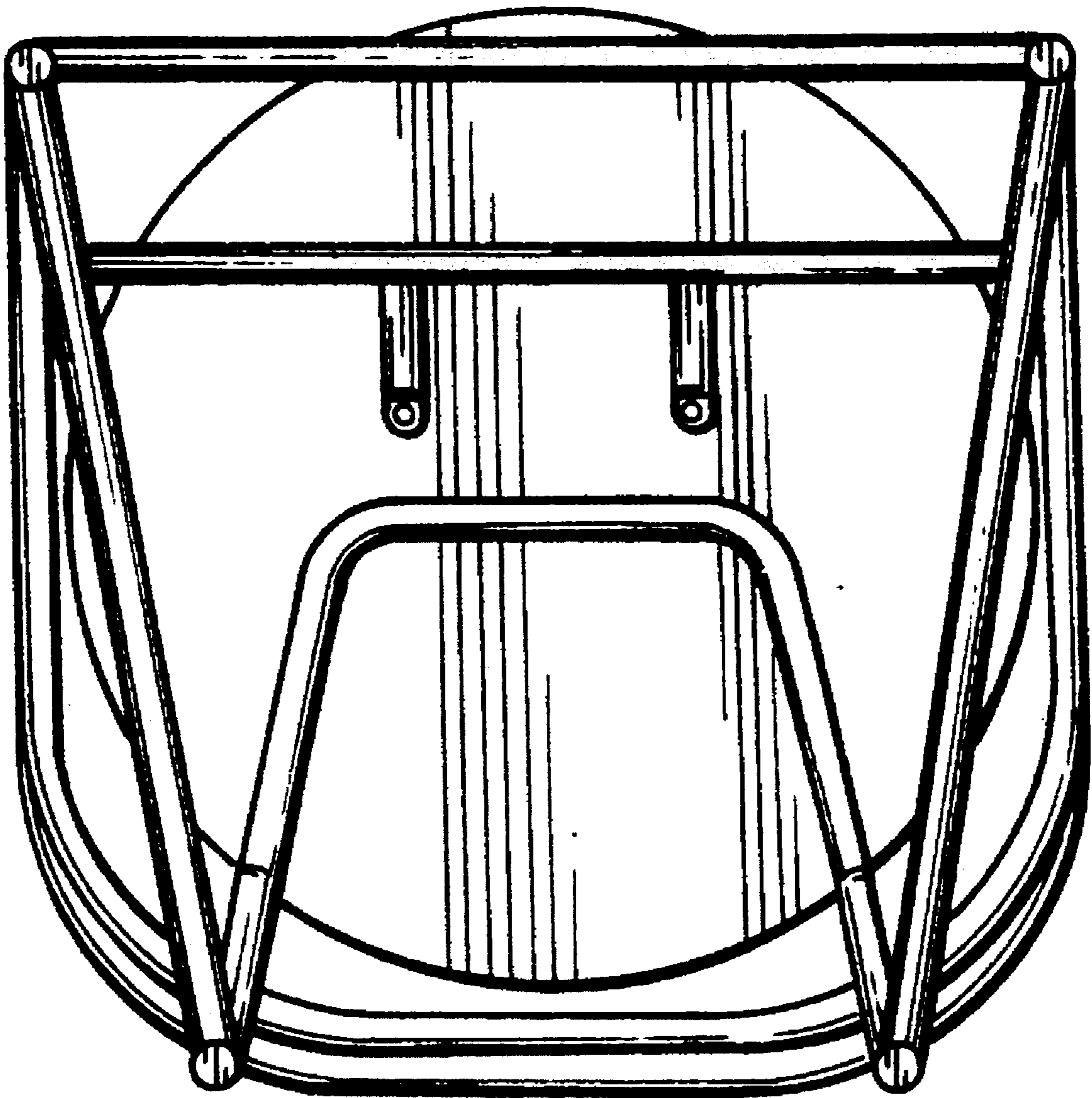


Fig-5