



US00D371010S

**United States Patent** [19]  
**Barile**

[11] **Patent Number: Des. 371,010**

[45] **Date of Patent: \*\*Jun. 25, 1996**

[54] **CHAIR FRAME**

[75] Inventor: **Peter Barile**, Hamblen County, Tenn.

[73] Assignee: **Shelby Williams Industries, Inc.**,  
Morristown, Tenn.

[\*\*] Term: **14 Years**

[21] Appl. No.: **40,704**

[22] Filed: **Jun. 23, 1995**

[52] U.S. Cl. .... **D6/370; D6/380**

[58] **Field of Search** ..... D6/334, 370, 374,  
D6/376, 380, 500, 501, 502; 297/447.3

[56] **References Cited**

**U.S. PATENT DOCUMENTS**

D. 102,978	2/1937	Baum	.....	D6/370
D. 233,811	12/1974	Noda et al.	.....	D6/380
D. 338,783	8/1993	de Armas	.....	D6/370
D. 362,758	10/1995	Saiger	.....	D6/370

**OTHER PUBLICATIONS**

Thinline, p. 7, chair #2861-40 at bottom left.

*Primary Examiner*—Gary D. Watson  
*Attorney, Agent, or Firm*—Pitts & Brittan

[57] **CLAIM**

The ornamental design of a chair frame, as shown and described.

**DESCRIPTION**

FIG. 1 illustrates a front elevation view of a chair frame showing my new design;

FIG. 2 illustrates a rear elevation view thereof;

FIG. 3 illustrates a left side elevation view thereof, the right side elevation view being a mirror image thereof;

FIG. 4 illustrates a top plan view thereof; and,

FIG. 5 illustrates a bottom plan view thereof.

**1 Claim, 3 Drawing Sheets**

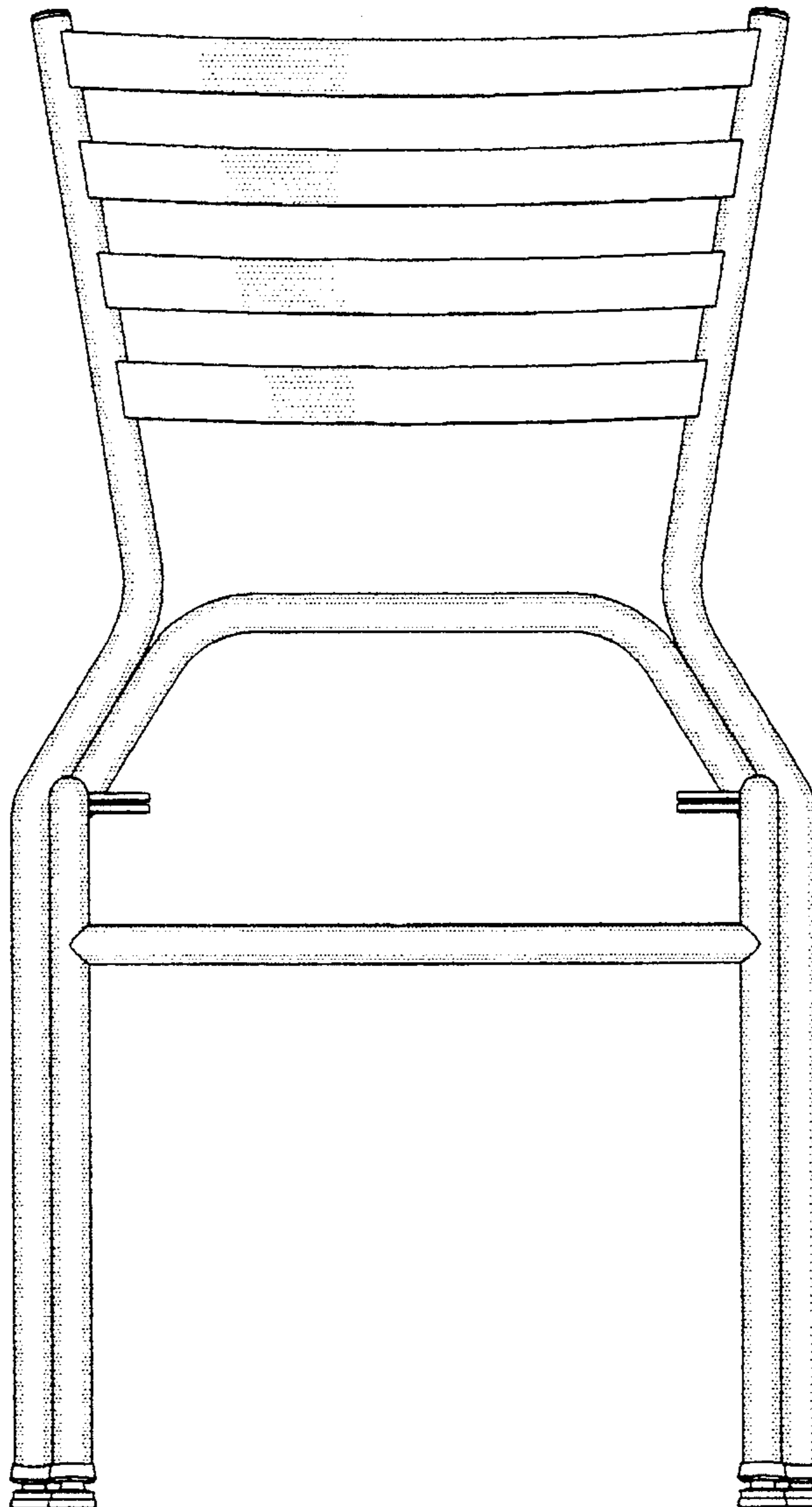


Fig. 1

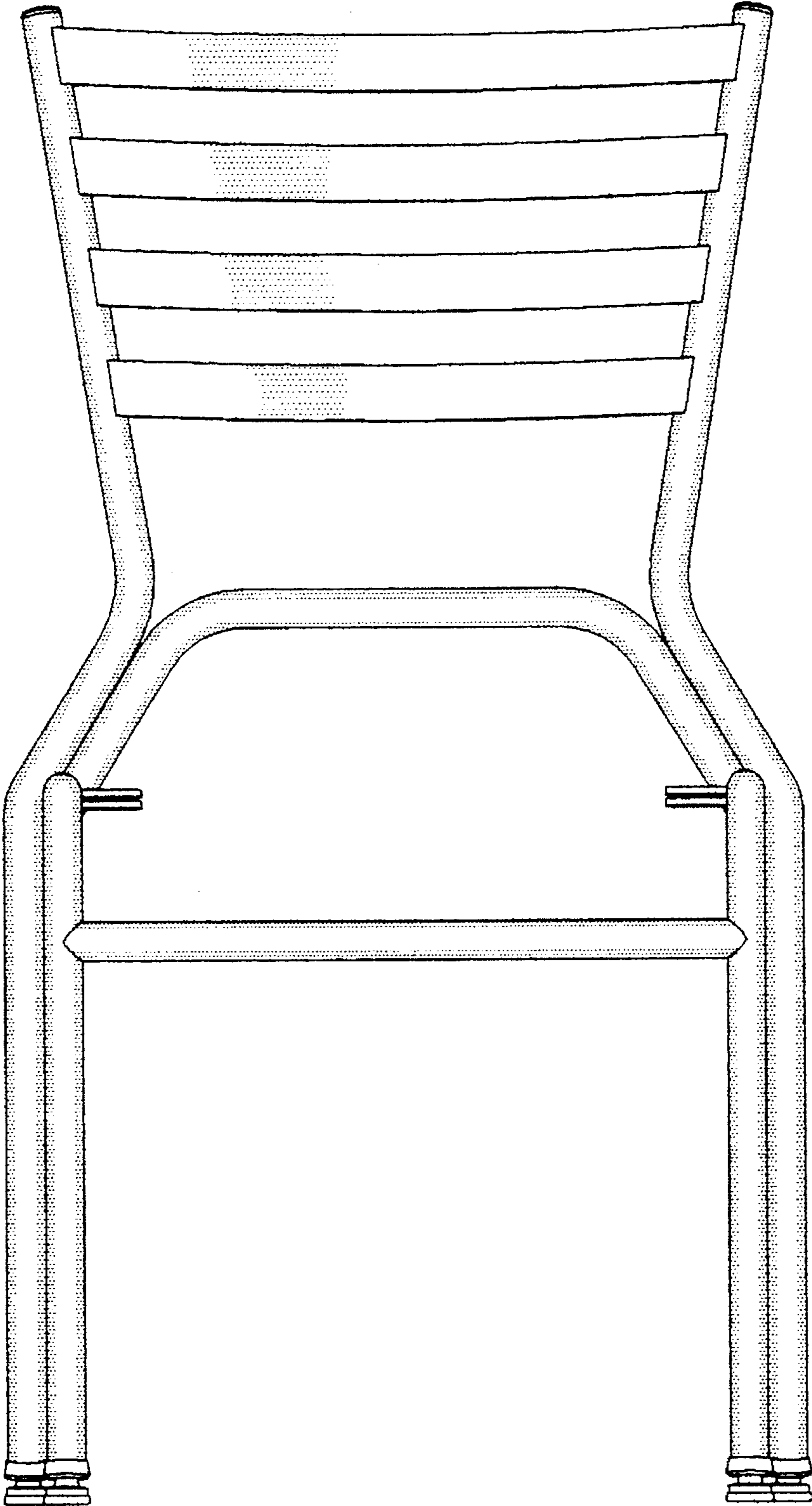


Fig. 3

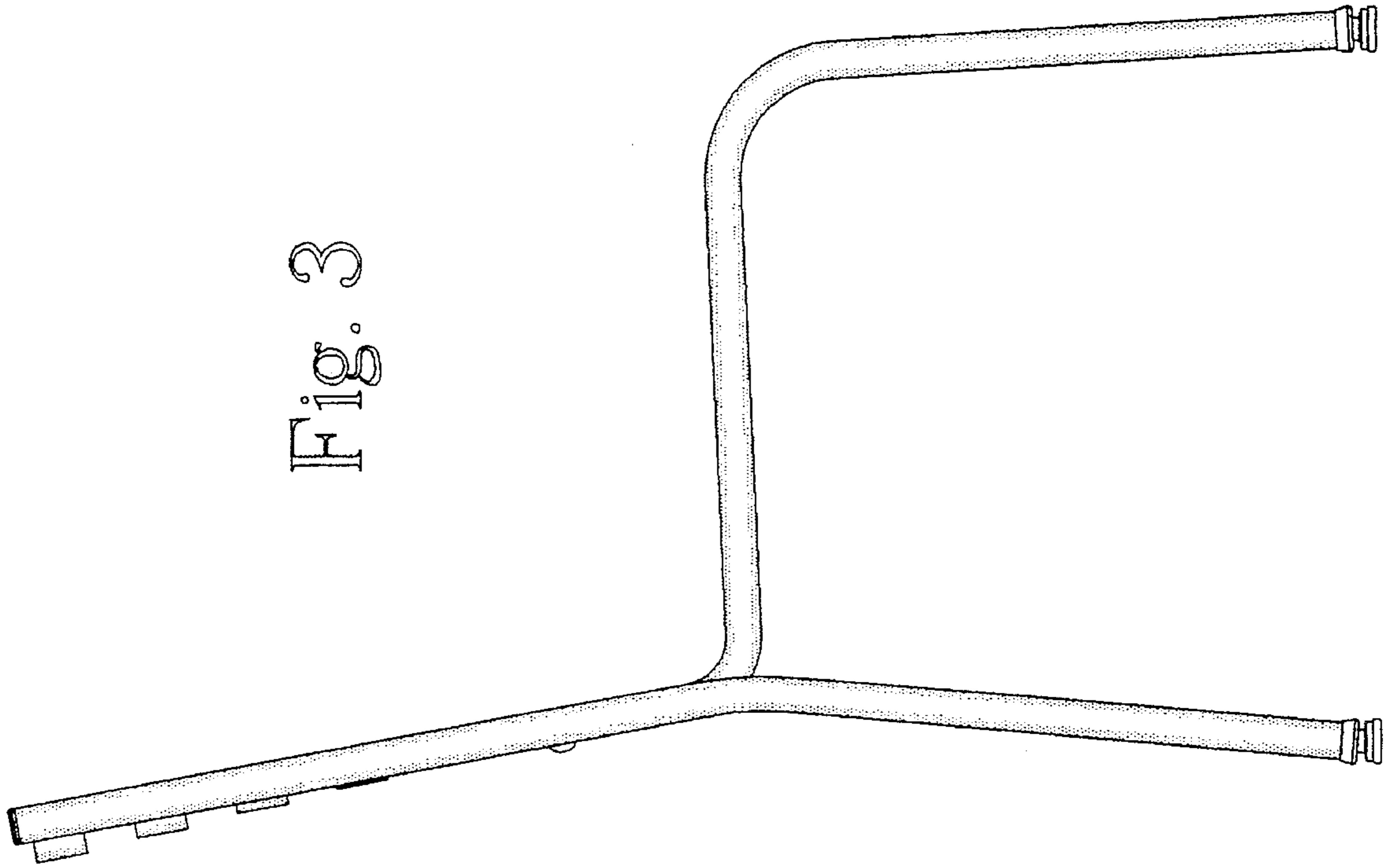
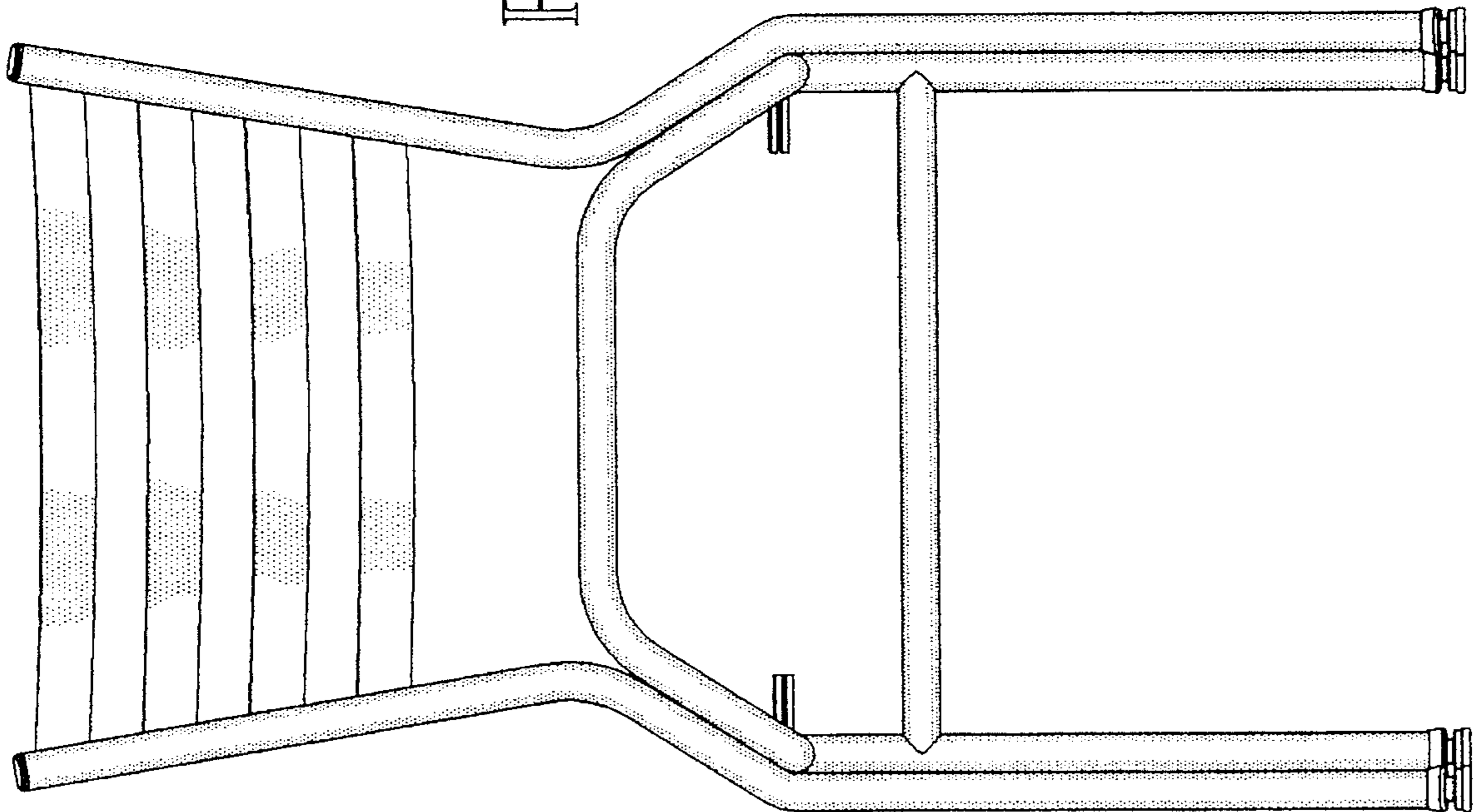


Fig. 2



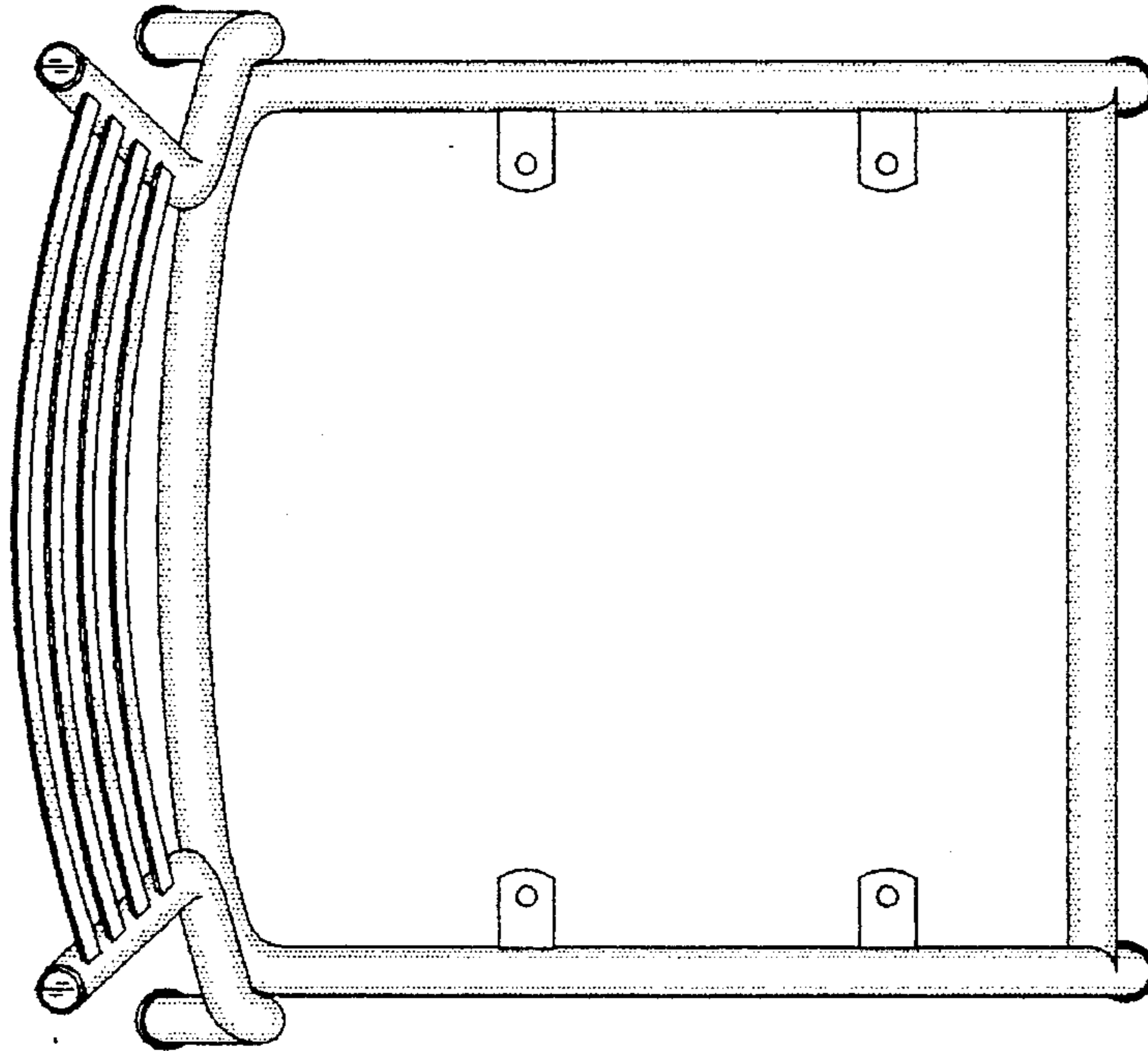


Fig. 4

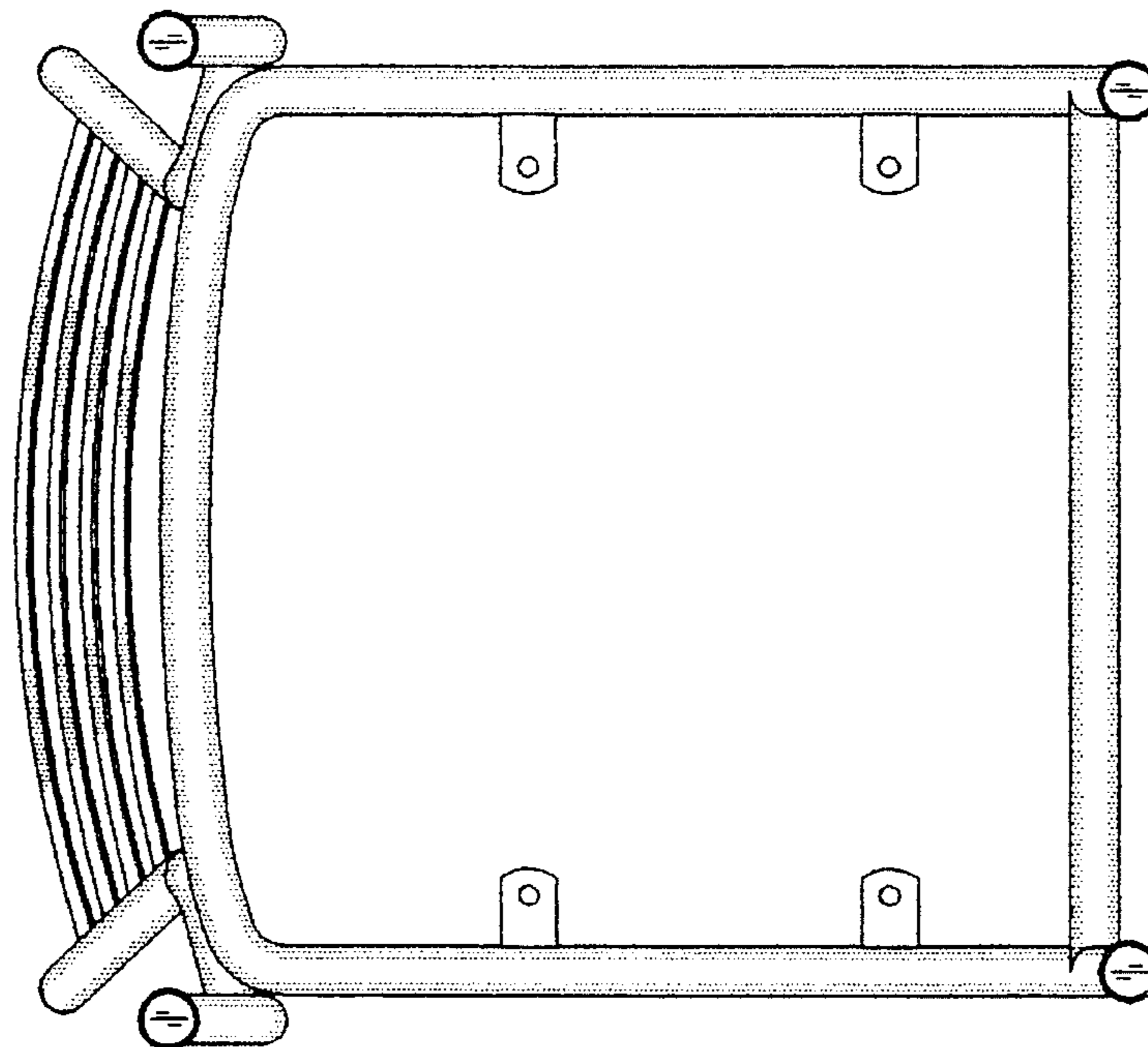


Fig. 5