



US00D370997S

United States Patent [19]

[11] **Patent Number: Des. 370,997**

Hsieh

[45] **Date of Patent: **Jun. 25, 1996**

[54] **TOW FRAME FOR SUITCASE**

5,447,217 9/1995 Chou 190/18 A

[76] Inventor: **Hung-Hsin Hsieh**, 15F, No.83, Sec.1,
Chung-Hsiao East Rd., Taipei, Taiwan

Primary Examiner—Louis S. Zarfes
Assistant Examiner—Monica A. Hannon
Attorney, Agent, or Firm—Erik M. Arnhem

[**] Term: **14 Years**

[57] **CLAIM**

[21] Appl. No.: **39,042**

The ornamental design for tow frame for suitcase, as shown and described.

[22] Filed: **May 19, 1995**

[52] **U.S. Cl.** **D3/318; D3/201; D3/315**

[58] **Field of Search** D3/201, 273, 274,
D3/276, 279, 315, 318; D8/375, 14, 107;
16/112, 124; 190/18 A, 18 R, 24; 280/37,
47.27

DESCRIPTION

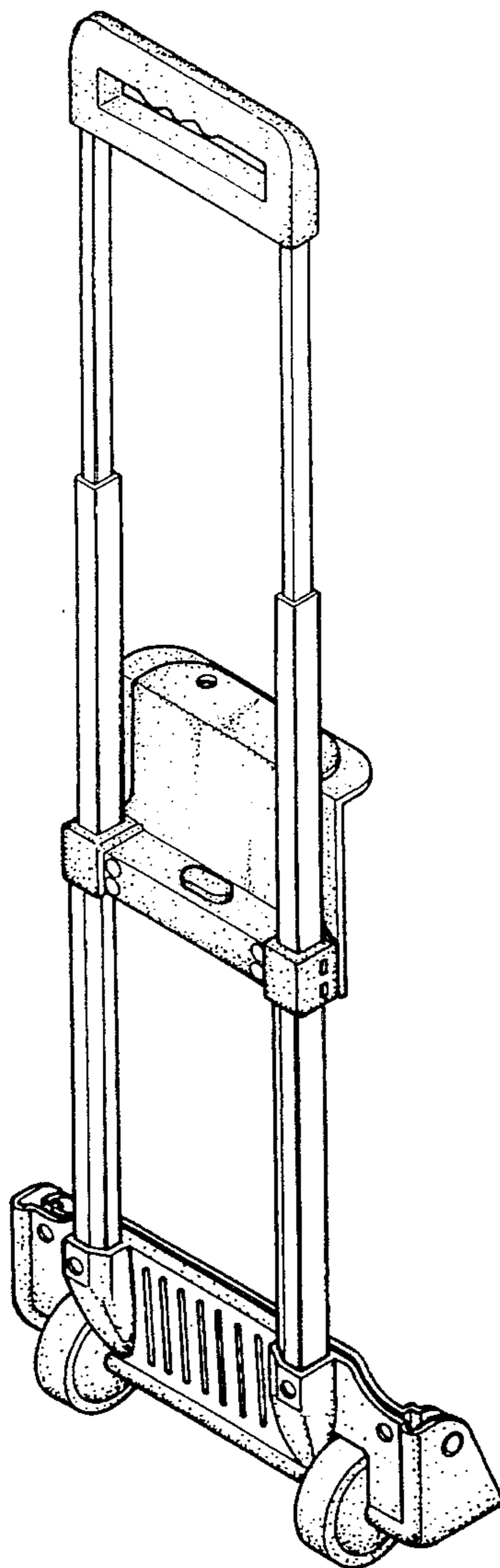
FIG. 1 is a perspective view of tow frame for suitcase showing my design;
FIG. 2 is a front elevational view thereof;
FIG. 3 is a rear elevational view thereof;
FIG. 4 is a left side elevational view thereof;
FIG. 5 is a right side elevational view thereof;
FIG. 6 is a top plan view thereof;
FIG. 7 is a bottom plan view thereof; and,
FIG. 8 is an exploded perspective view thereof.

[56] **References Cited**

U.S. PATENT DOCUMENTS

4,618,035	10/1986	Mao	190/18 A
4,960,179	10/1990	Leach	280/47.27 X
5,355,980	10/1994	Hsieh	190/18 A X
5,431,428	7/1995	Marchwiak et al.	190/18 A X
5,433,461	7/1995	Chang	280/37

1 Claim, 5 Drawing Sheets



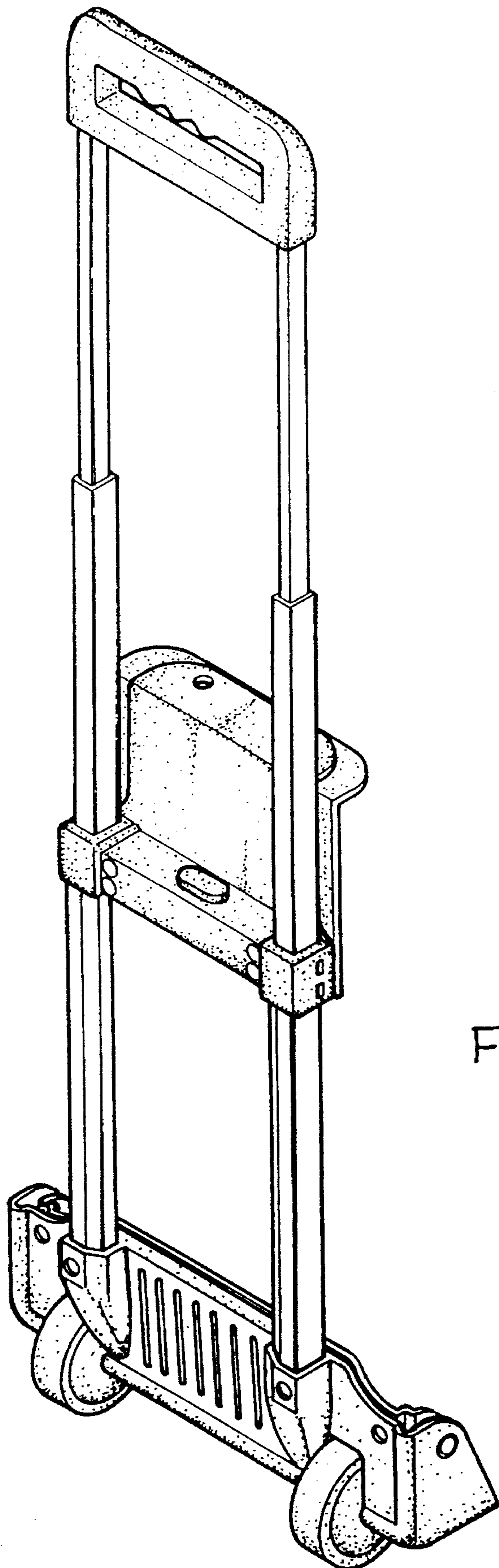


FIG. 1

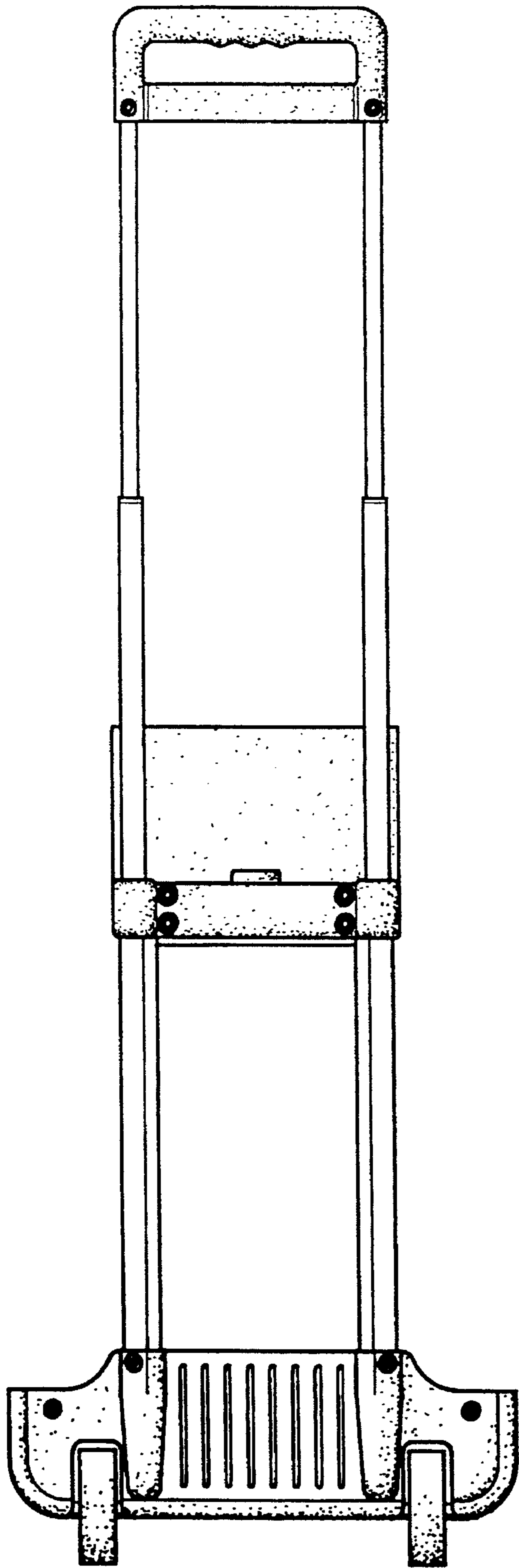


FIG. 2

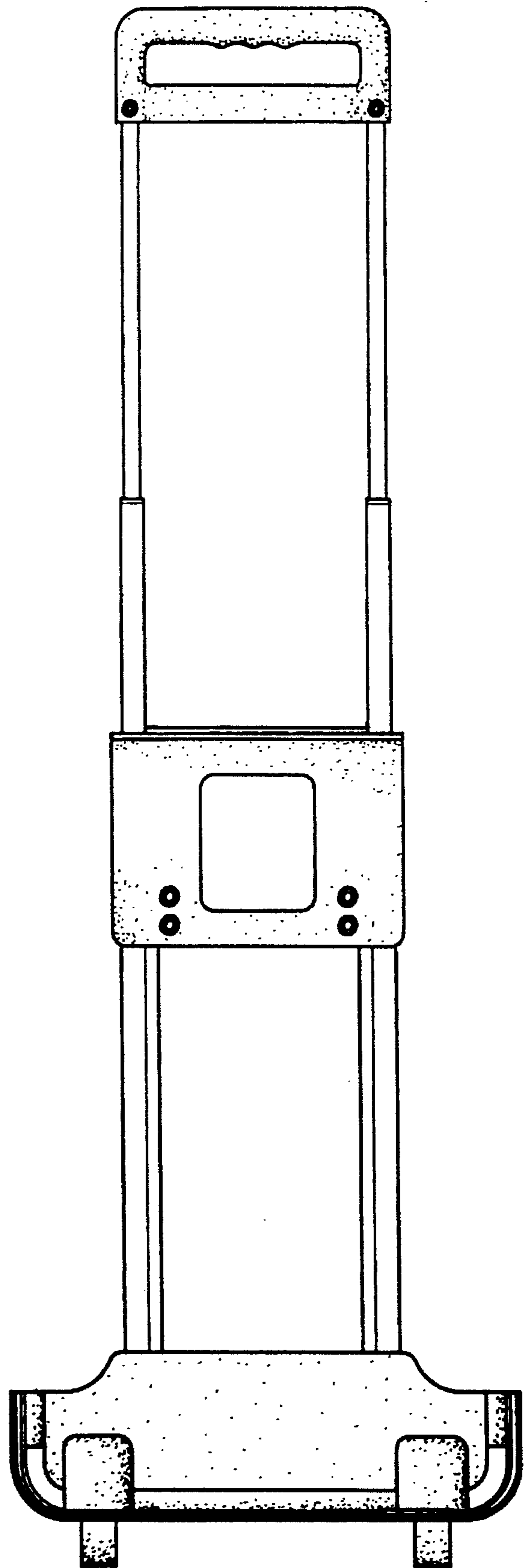


FIG. 3

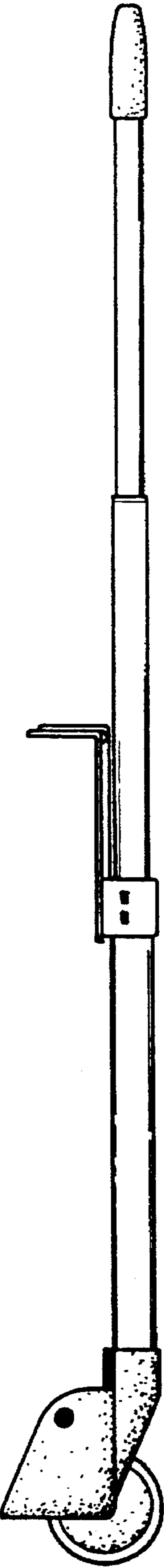


FIG. 4

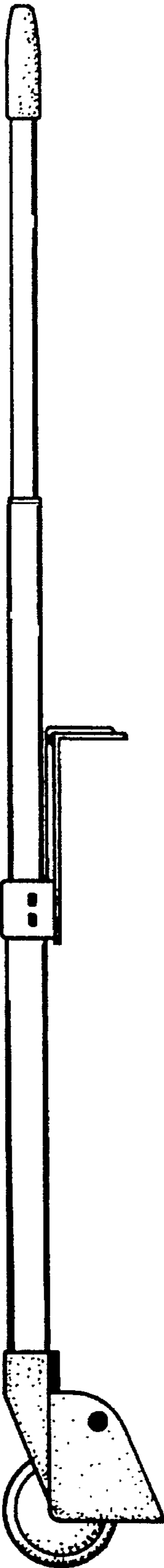


FIG. 5

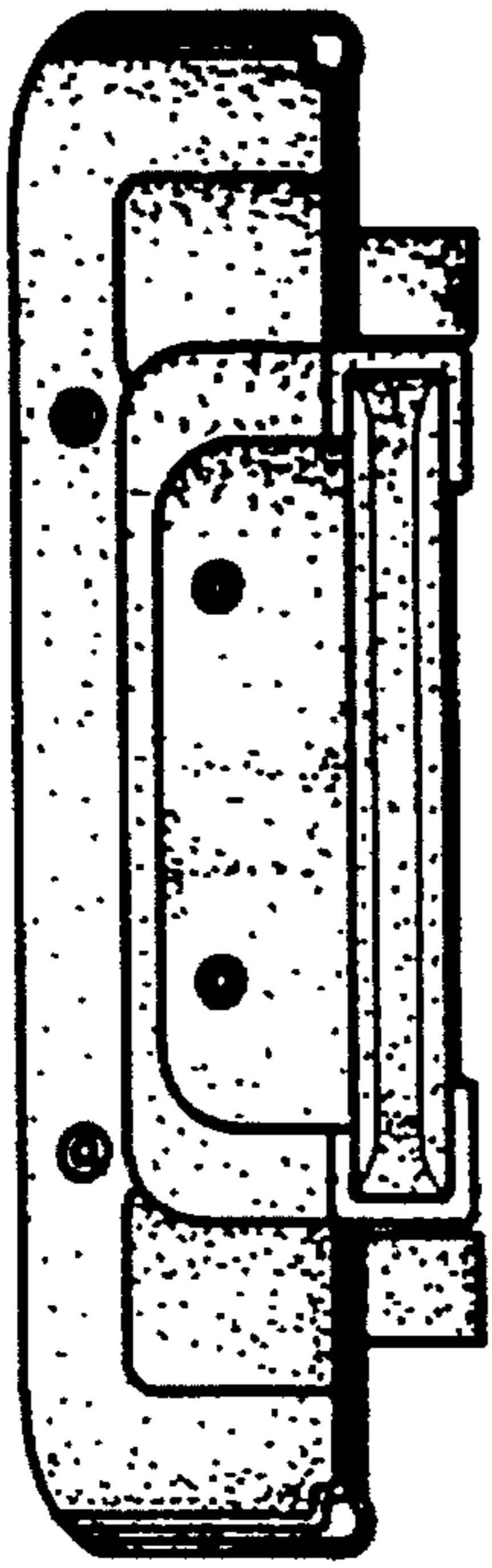


FIG. 6

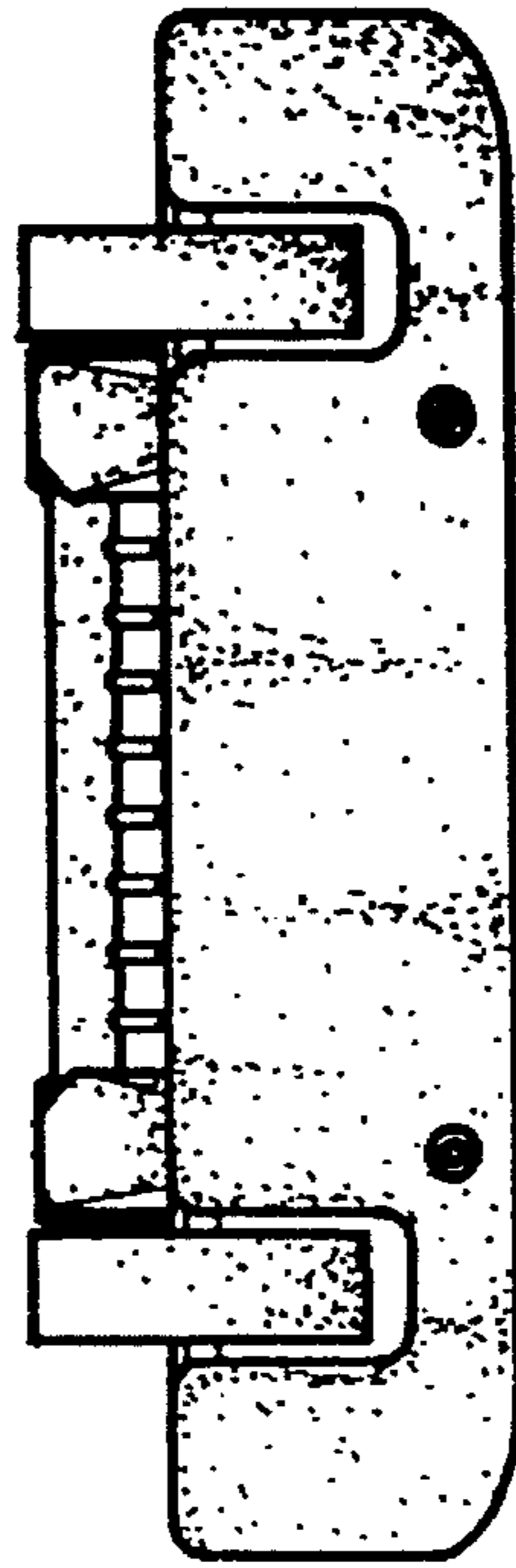


FIG. 7

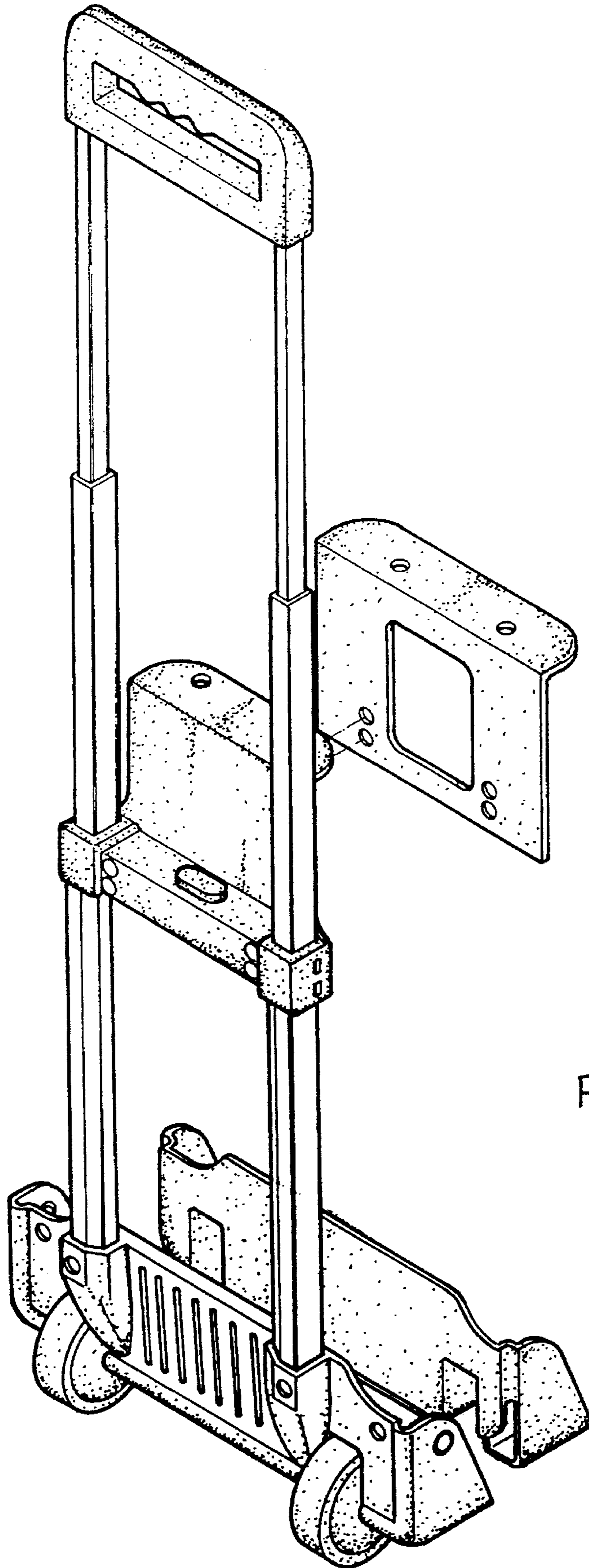


FIG. 8