



US00D370990S

**United States Patent** [19]

[11] **Patent Number: Des. 370,990**

**Lin**

[45] **Date of Patent: \*\*Jun. 18, 1996**

[54] **ADJUSTABLE TRACKLIGHT**

*Attorney, Agent, or Firm*—Bacon & Thomas

[76] Inventor: **Shan C. Lin**, No. 2, Lane 111, Ta Chu Road, Lu Chu Hsiang, Taoyuan Hsien, Taiwan

[57] **CLAIM**

The ornamental design for a adjustable tracklight, as shown and described.

[\*\*] Term: **14 Years**

**DESCRIPTION**

[21] Appl. No.: **38,503**

FIG. 1 is a perspective view of a adjustable tracklight showing my design;

[22] Filed: **May 5, 1995**

FIG. 2 is a front elevational view thereof;

[52] U.S. Cl. .... **D26/63**

FIG. 3 is a rear elevational view thereof;

[58] Field of Search ..... D26/61, 63, 65;  
362/269, 285, 418, 419, 421, 427, 275

FIG. 4 is a left side elevational view thereof;

FIG. 5 is a right side elevational view thereof;

[56] **References Cited**

FIG. 6 is a top plan view thereof the lower bracket which holds the lamp being in an alternate position relative to the vertical U-shaped bracket; and,

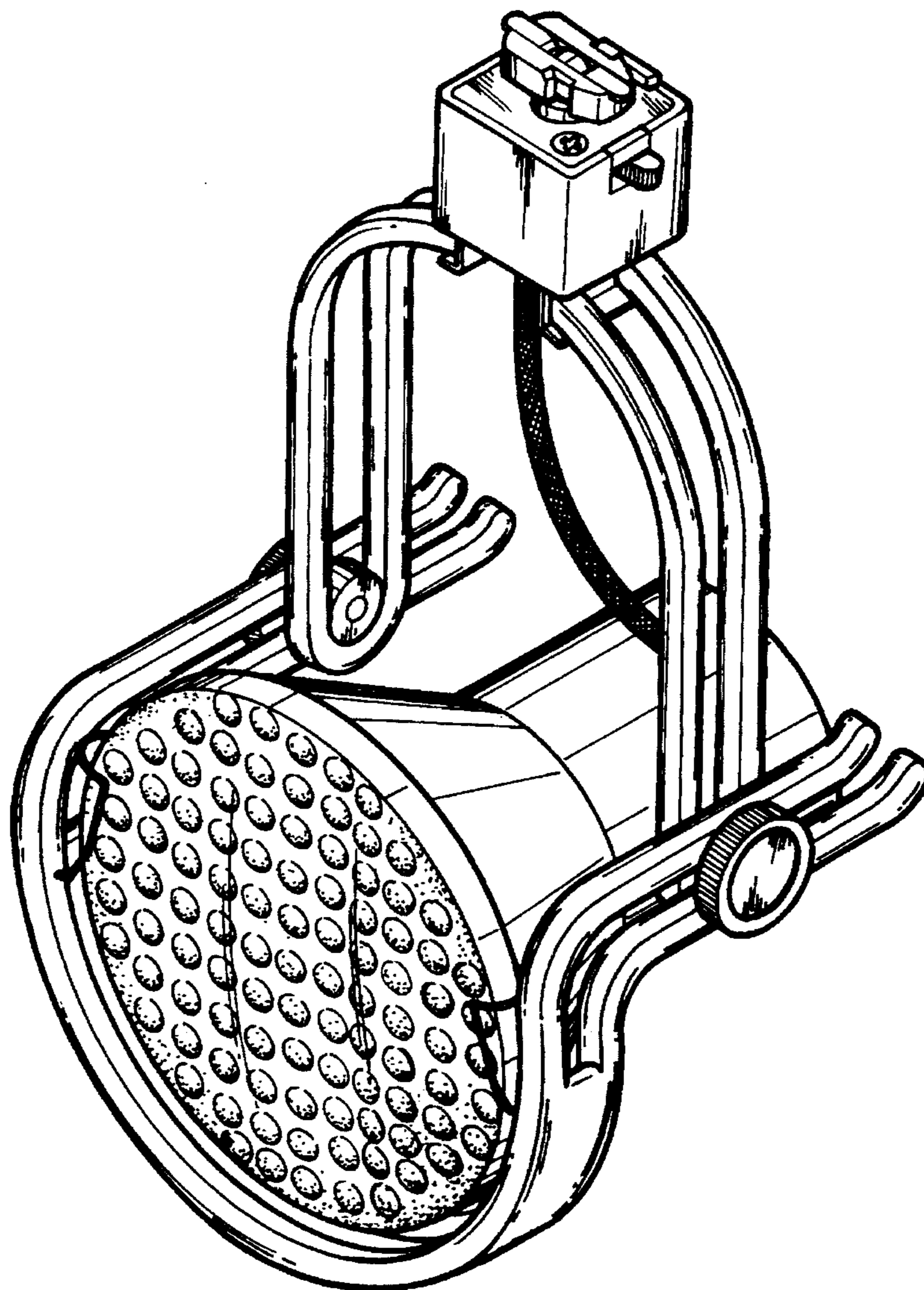
**U.S. PATENT DOCUMENTS**

FIG. 7 is a bottom plan view thereof the lower bracket which holds the lamp being in an alternate position relative to the vertical U-shaped bracket.

D. 313,481	1/1991	Fremont et al. ....	D26/63
D. 345,616	3/1994	Lin .....	D26/63
D. 358,225	5/1995	Lin .....	D26/63

*Primary Examiner*—Susan J. Lucas

**1 Claim, 6 Drawing Sheets**



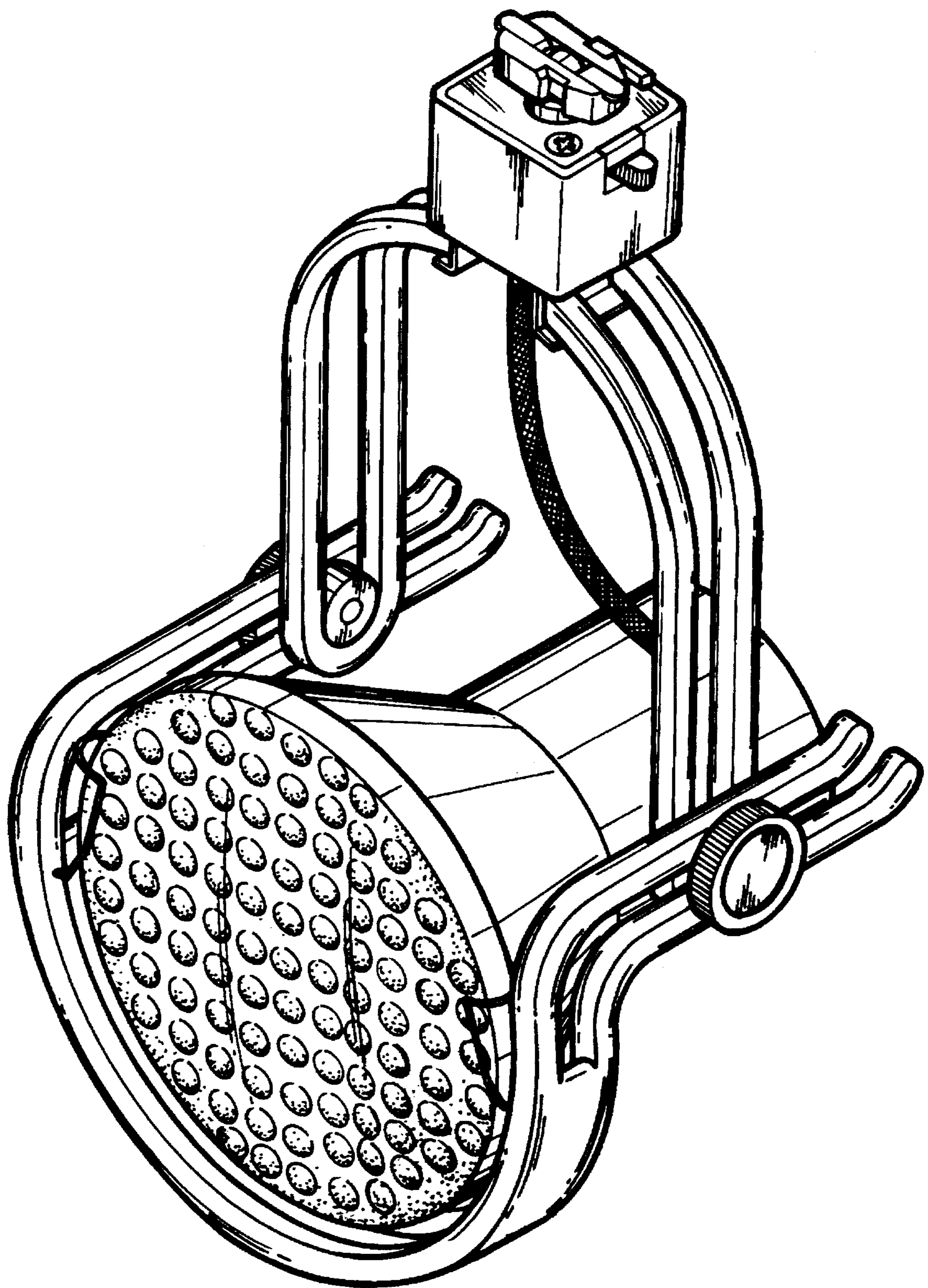


FIG. 1

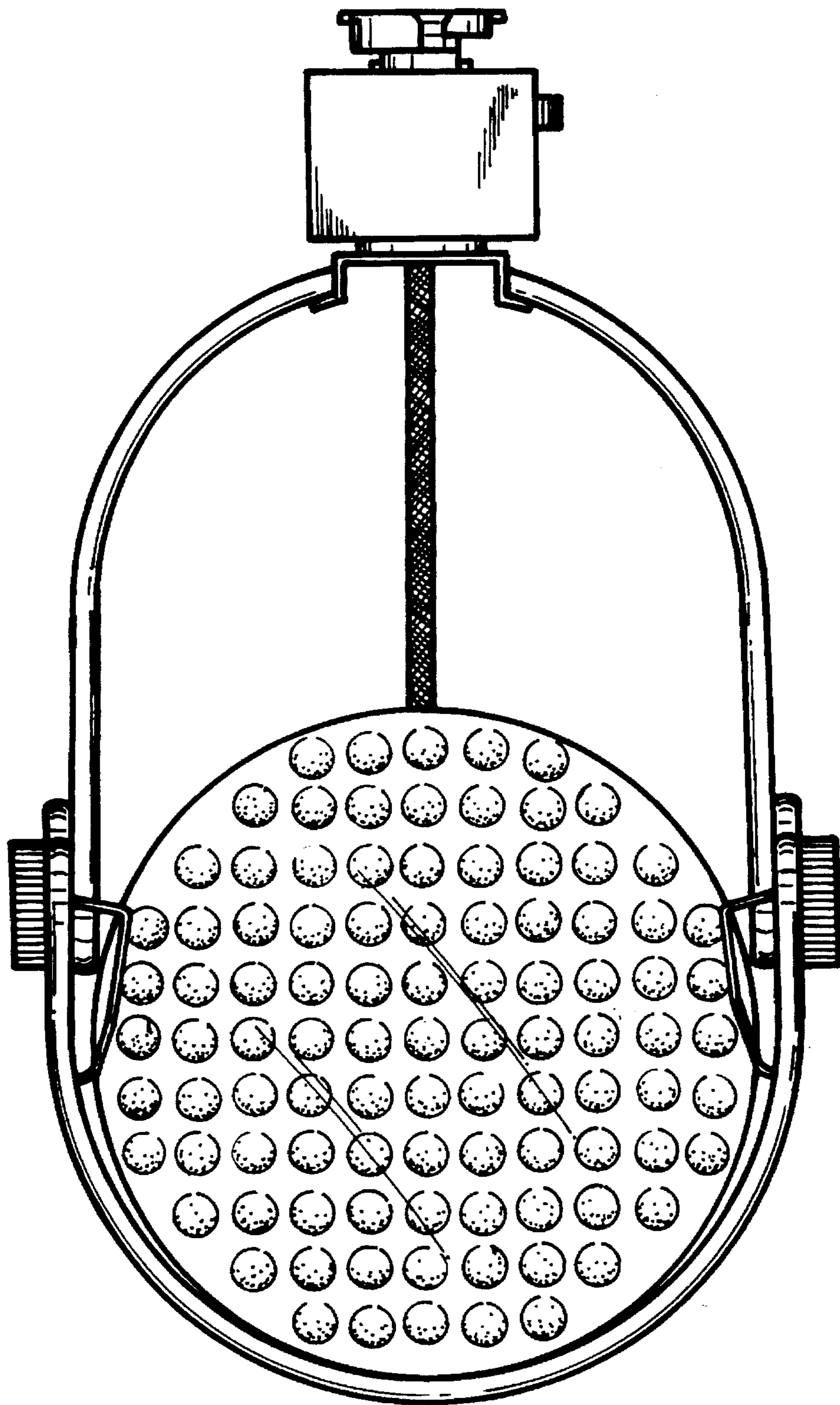


FIG. 2

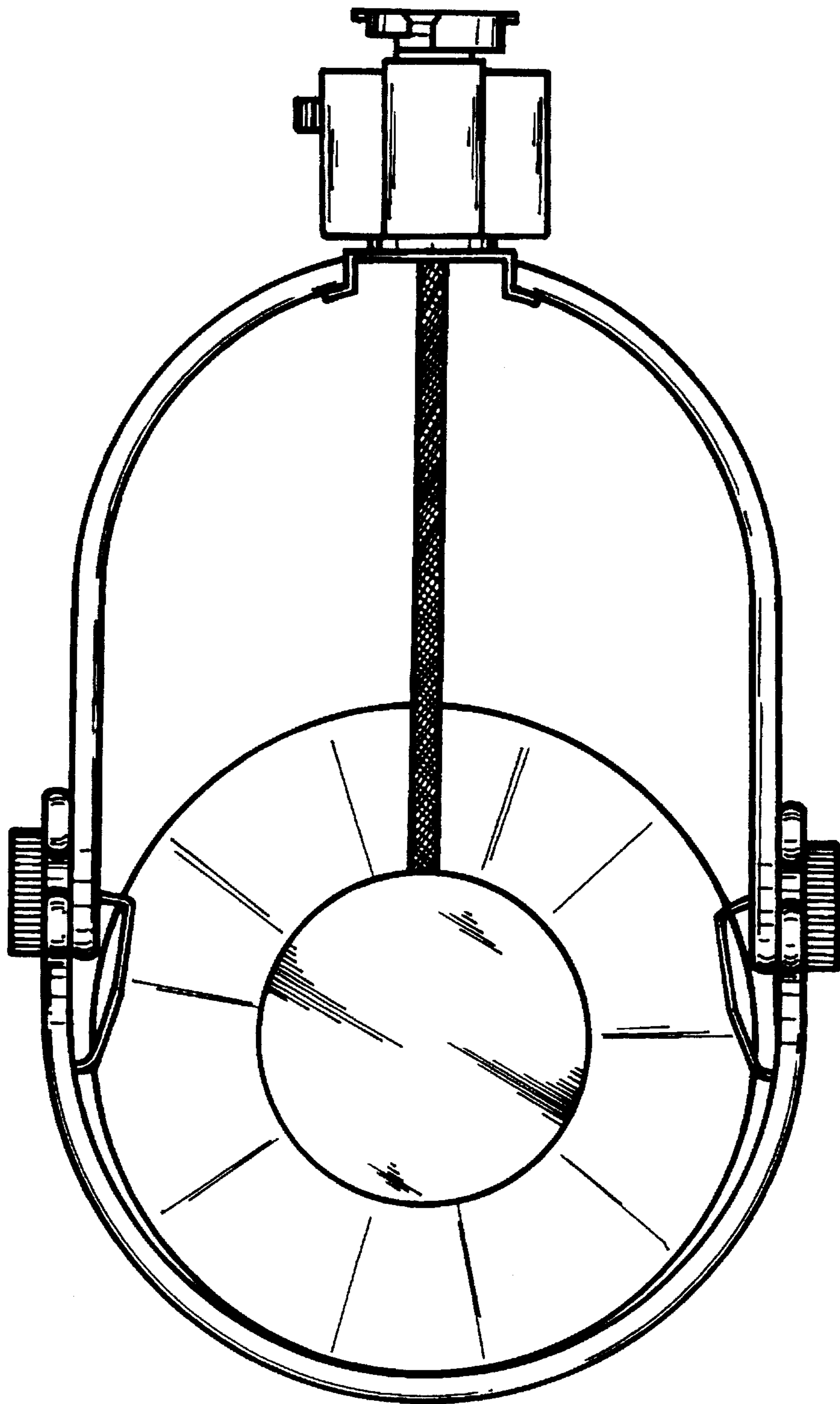


FIG. 3

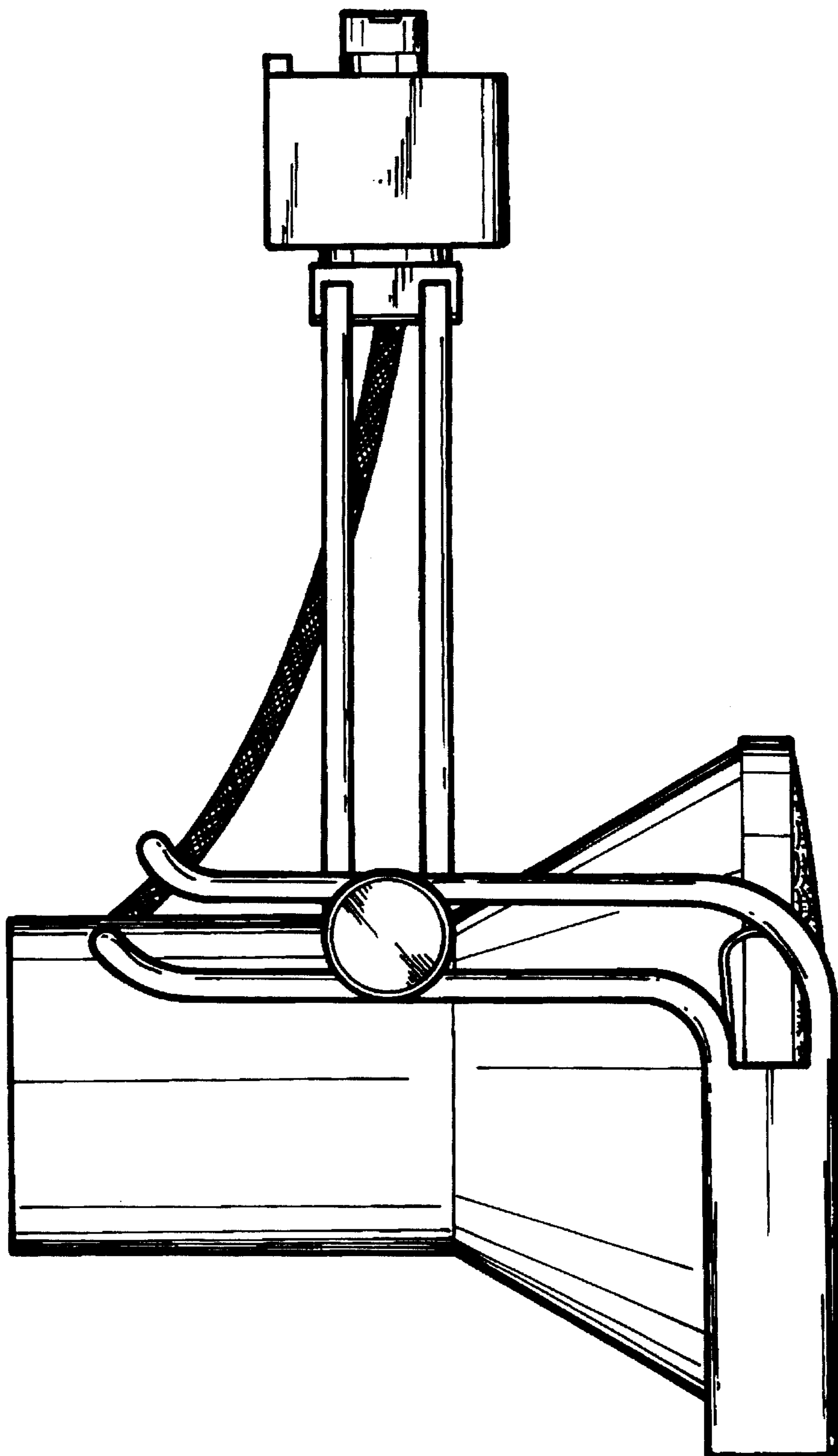


FIG. 4

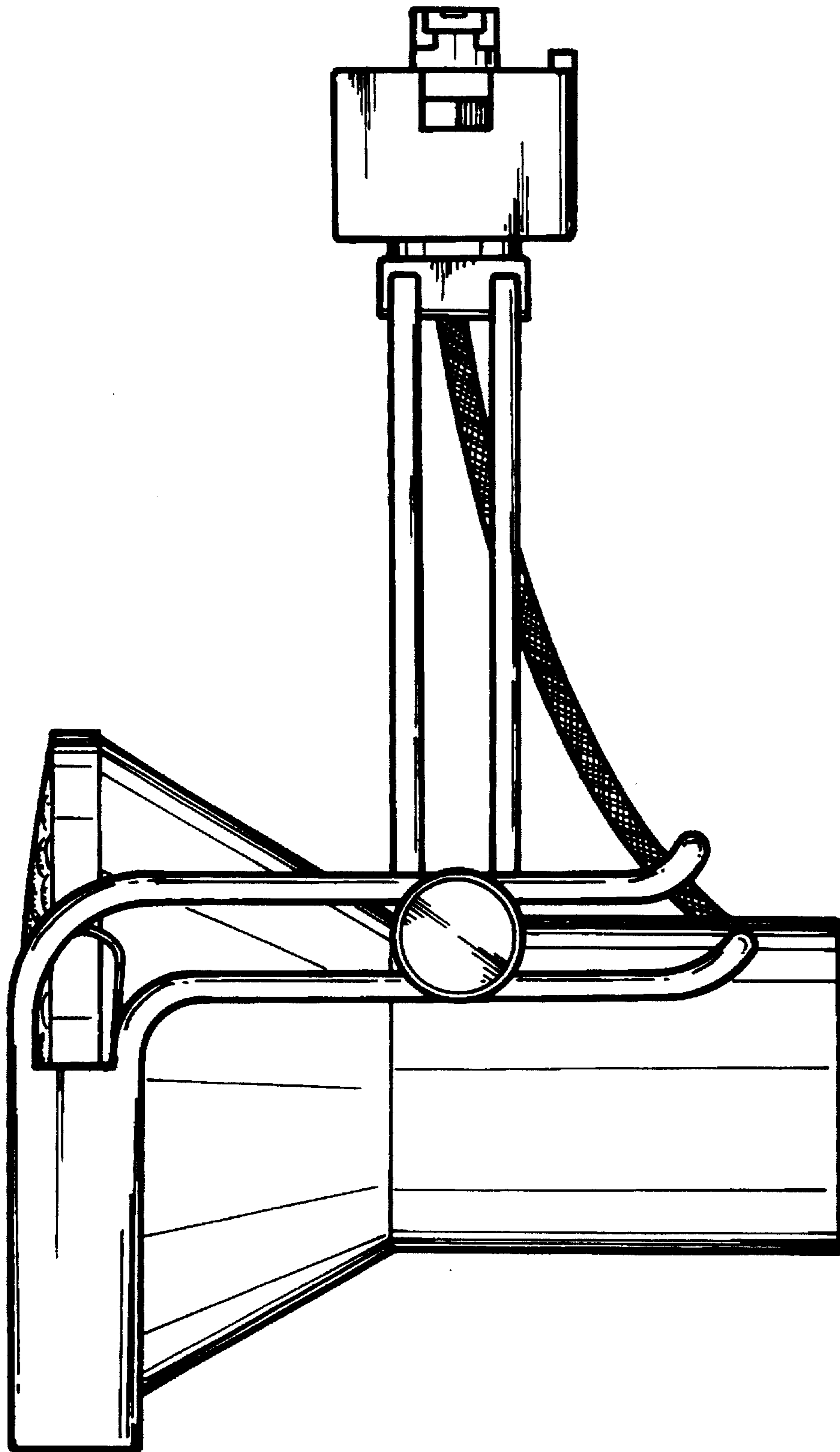


FIG. 5

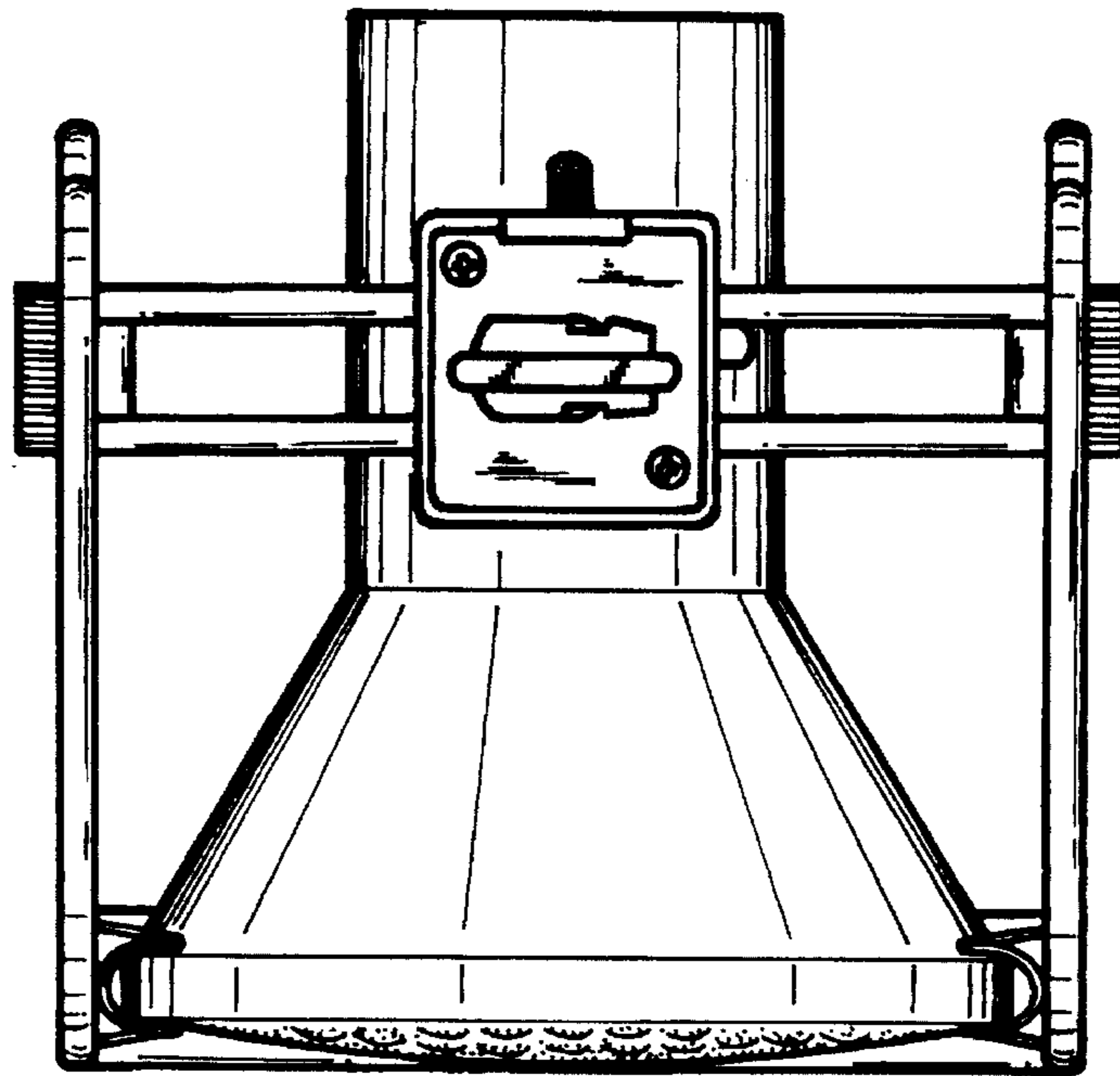


FIG. 6

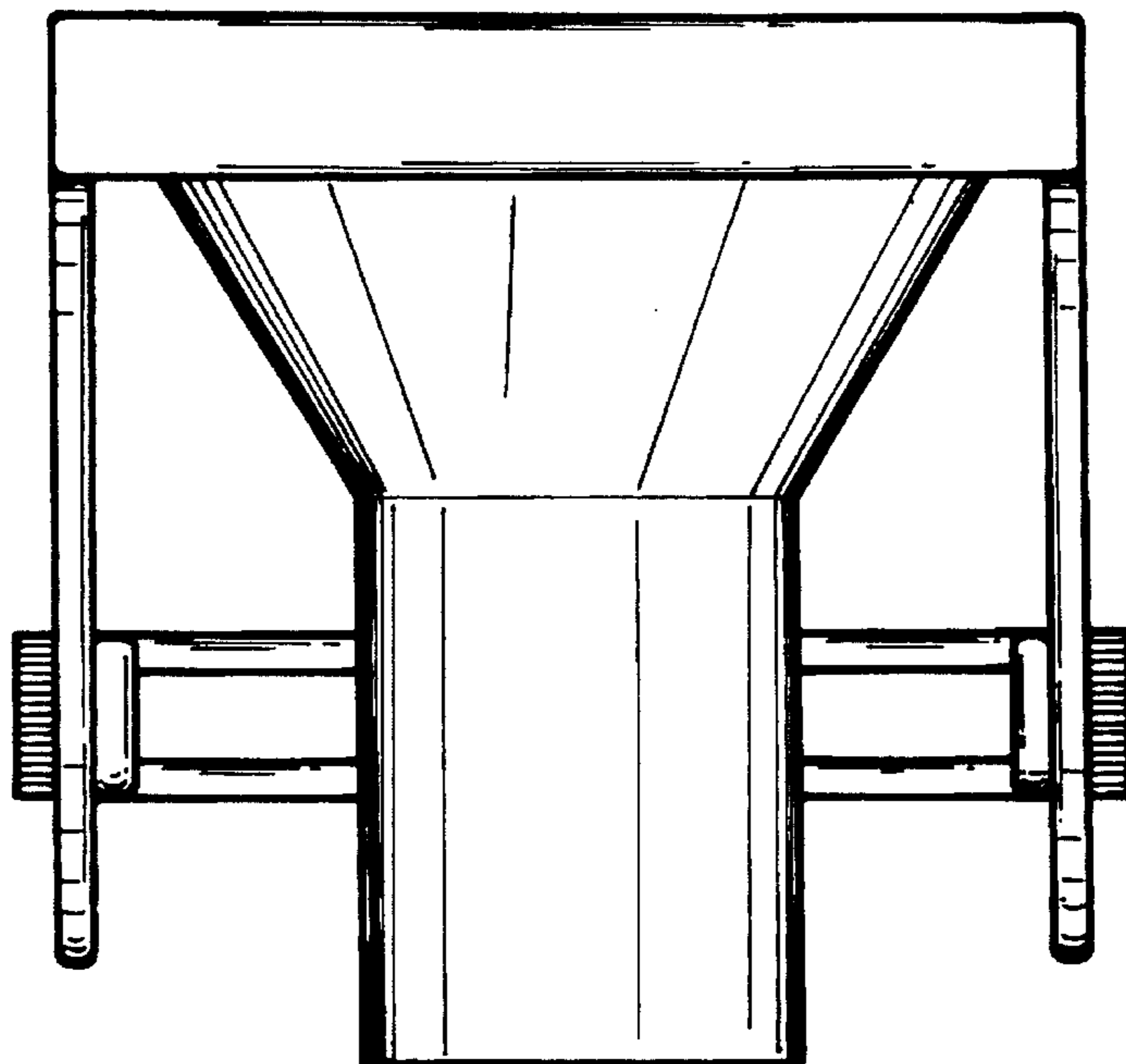


FIG. 7