



US00D370988S

**United States Patent** [19]  
**Santarsiero**

[11] **Patent Number: Des. 370,988**  
[45] **Date of Patent: \*\*Jun. 18, 1996**

[54] **FLASHLIGHT**

[75] Inventor: **Paul S. Santarsiero**, Avon, Conn.

[73] Assignee: **Black & Decker Inc.**, Newark, Del.

[\*\*] Term: **14 Years**

[21] Appl. No.: **34,833**

[22] Filed: **Feb. 13, 1995**

[52] **U.S. Cl.** ..... **D26/43**

[58] **Field of Search** ..... D26/37, 43, 44,  
D26/46, 49, 60, 62; 362/157, 158, 184,  
188, 189, 191, 198, 199, 200, 396, 249,  
250, 239

[56] **References Cited**

**U.S. PATENT DOCUMENTS**

- D. 268,442 3/1983 Darmon ..... D26/37
- D. 306,351 2/1990 Charet et al. .... D26/43
- D. 314,246 1/1991 Bache ..... D26/62
- 3,111,277 11/1963 Grimsley ..... D26/43 X

**FOREIGN PATENT DOCUMENTS**

685931 8/1986 Japan ..... D26/43

*Primary Examiner*—Susan J. Lucas  
*Attorney, Agent, or Firm*—Barry E. Deutsch

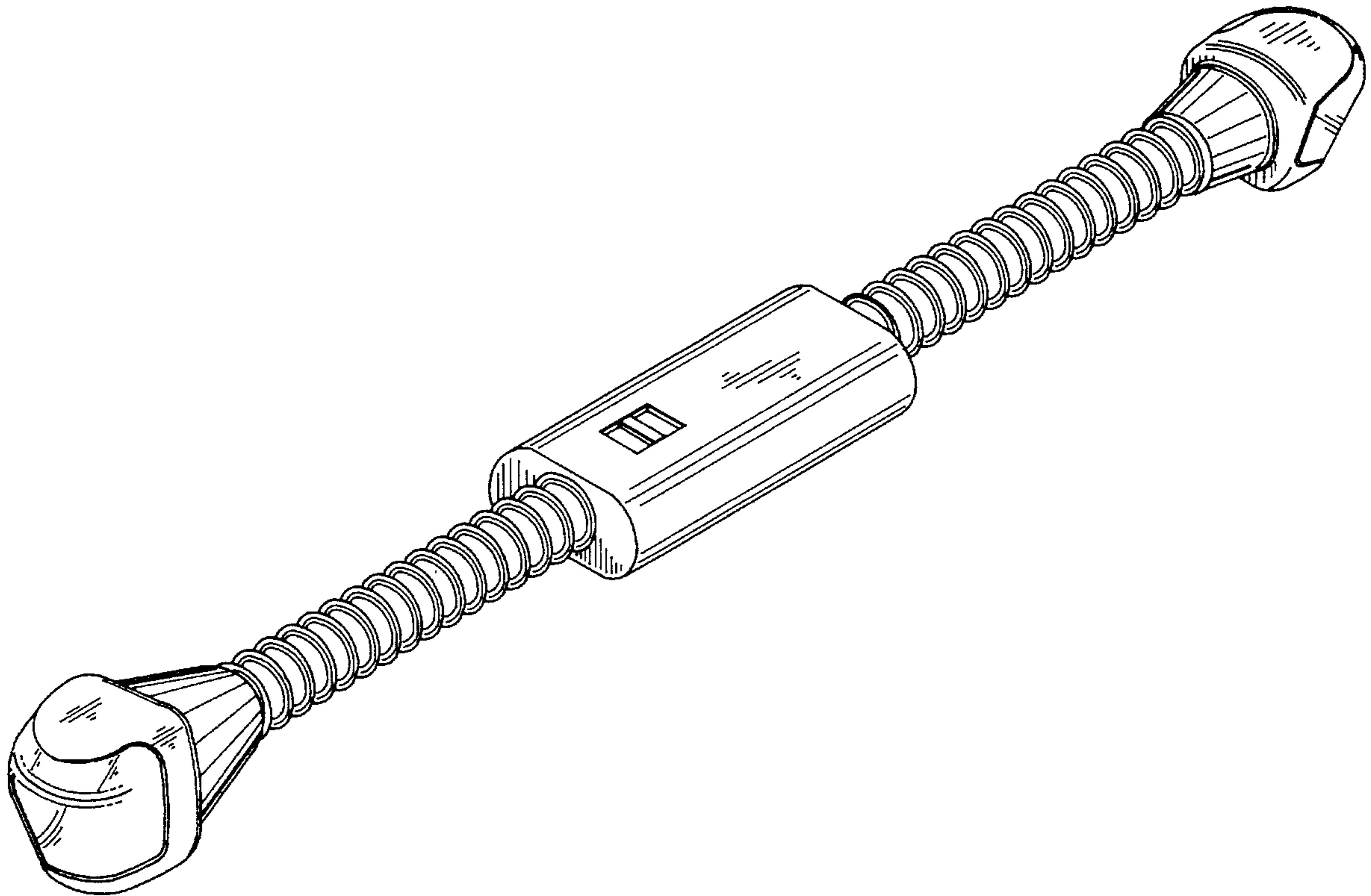
[57] **CLAIM**

The ornamental design for a flashlight, as shown and described.

**DESCRIPTION**

FIG. 1 is a perspective view taken from the front, top and right side of a flashlight showing my new design;  
FIG. 2 is a top plan view thereof;  
FIG. 3 is a bottom plan view thereof;  
FIG. 4 is a front elevational view thereof;  
FIG. 5 is a rear elevational view thereof;  
FIG. 6 is a right side elevational view thereof; and,  
FIG. 7 is a left side elevational view thereof.

**1 Claim, 3 Drawing Sheets**



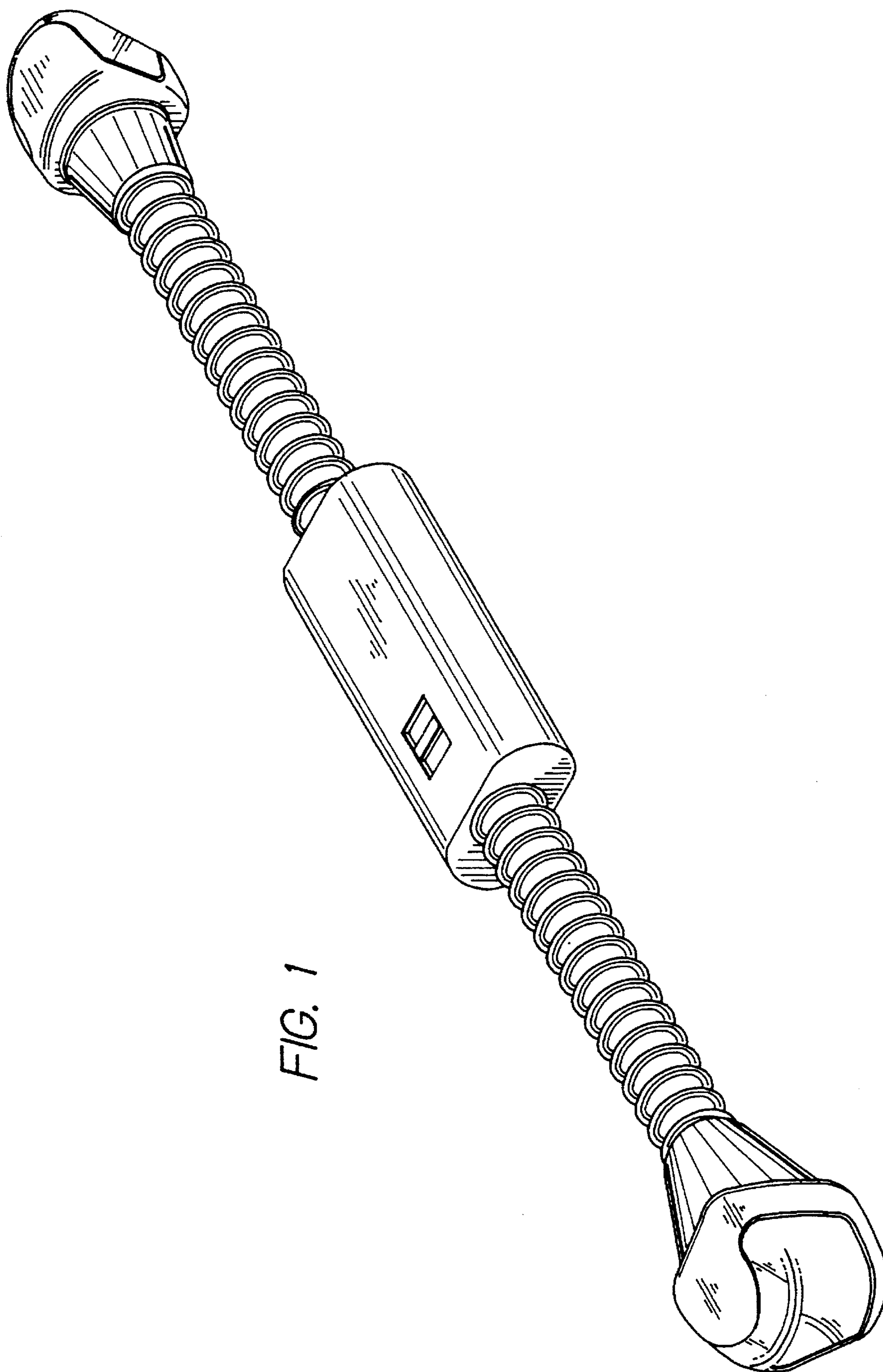


FIG. 1

FIG. 2

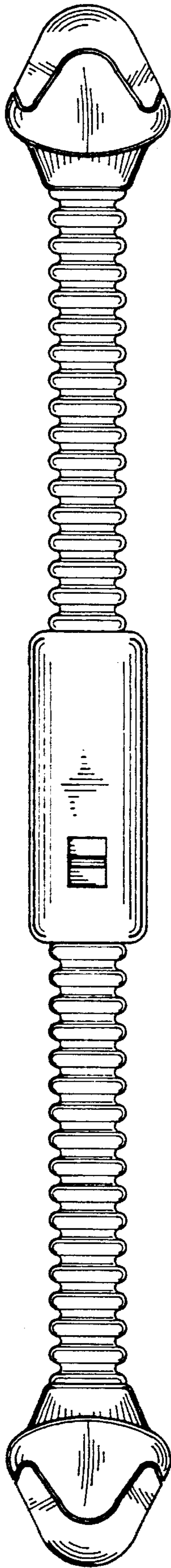


FIG. 3

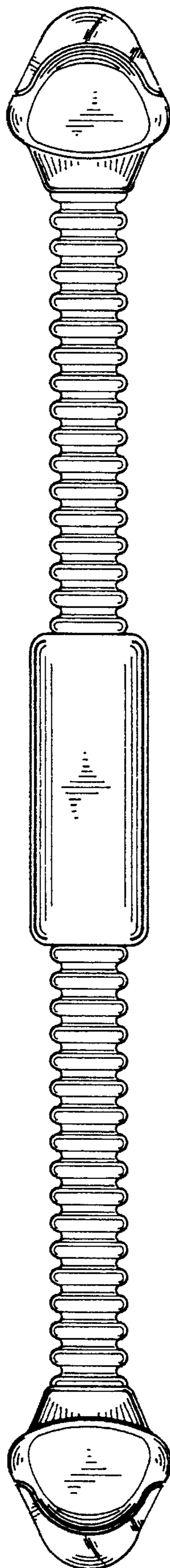


FIG. 4

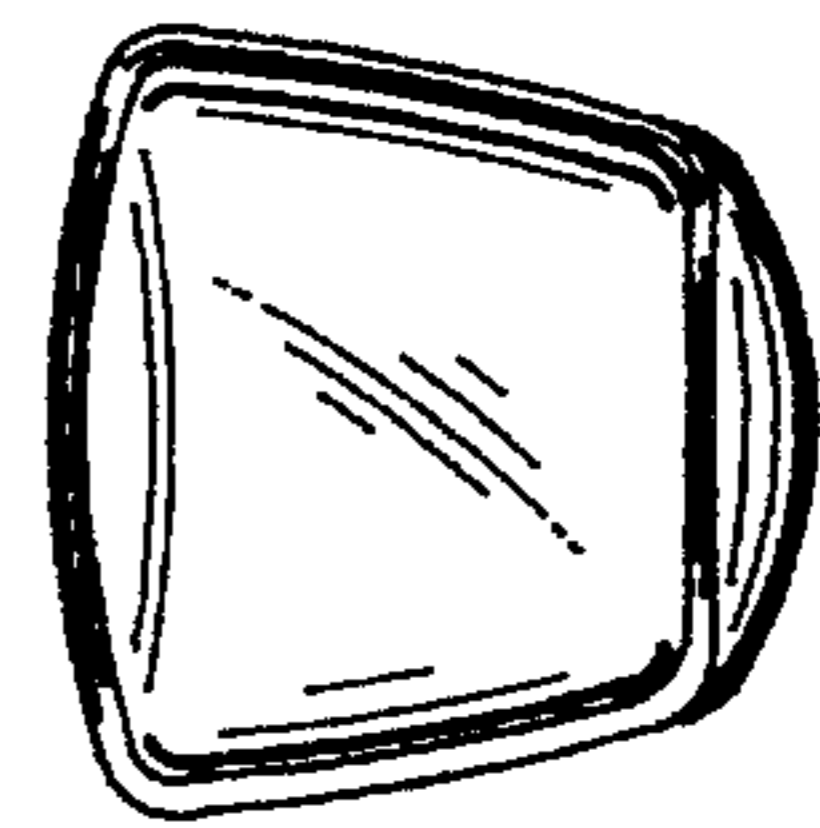


FIG. 5

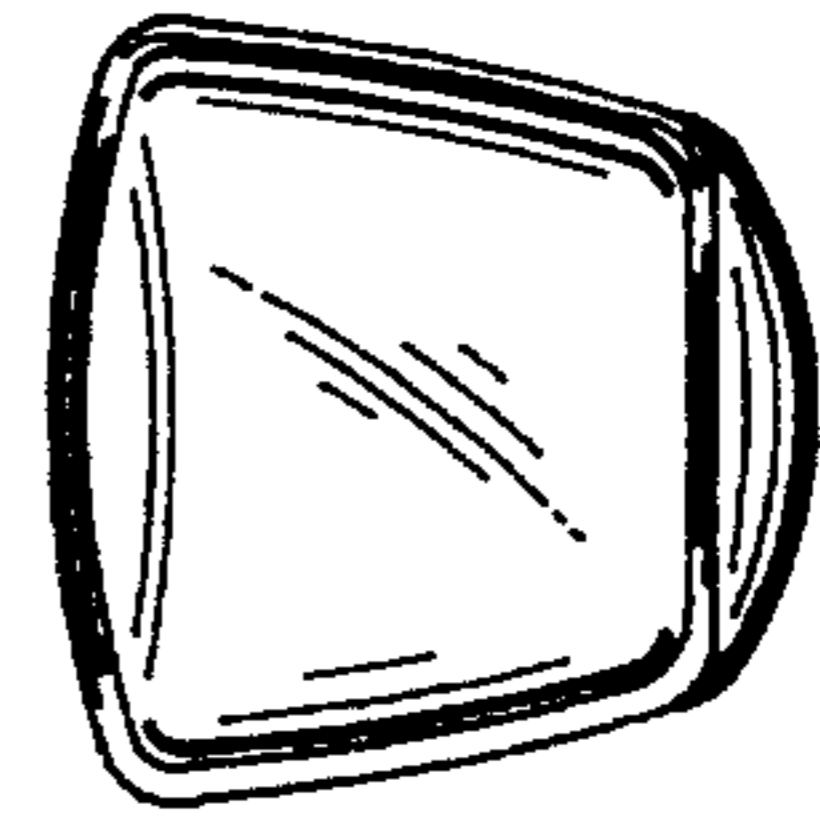


FIG. 6

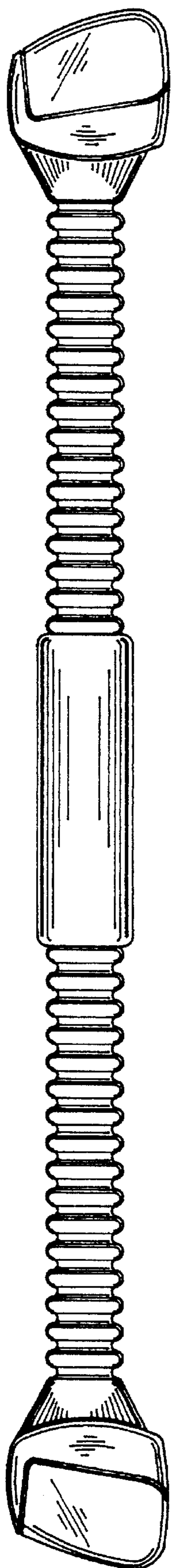


FIG. 7

