



US00D370986S

# United States Patent [19]

**Koch**

[11] **Patent Number: Des. 370,986**

[45] **Date of Patent: \*\*Jun. 18, 1996**

[54] **BICYCLE LAMP**

D. 346,670 5/1994 Ueda ..... D26/28

[76] Inventor: **Wolf-Dieter Koch**, Haimburg 21,  
92348 Berg, Germany

*Primary Examiner*—A. Hugo Word  
*Assistant Examiner*—Marcus Jackson  
*Attorney, Agent, or Firm*—Browdy and Neimark

[\*\*] Term: **14 Years**

[57] **CLAIM**

[21] Appl. No.: **39,202**

The ornamental design for a bicycle lamp, as shown and described.

[22] Filed: **May 23, 1995**

[30] **Foreign Application Priority Data**

**DESCRIPTION**

Nov. 24, 1994 [DE] Germany ..... 94 09 162.3

[52] **U.S. Cl.** ..... **D26/28**

[58] **Field of Search** ..... D26/28-37, 38-50;  
362/61, 73, 157, 158, 183-202

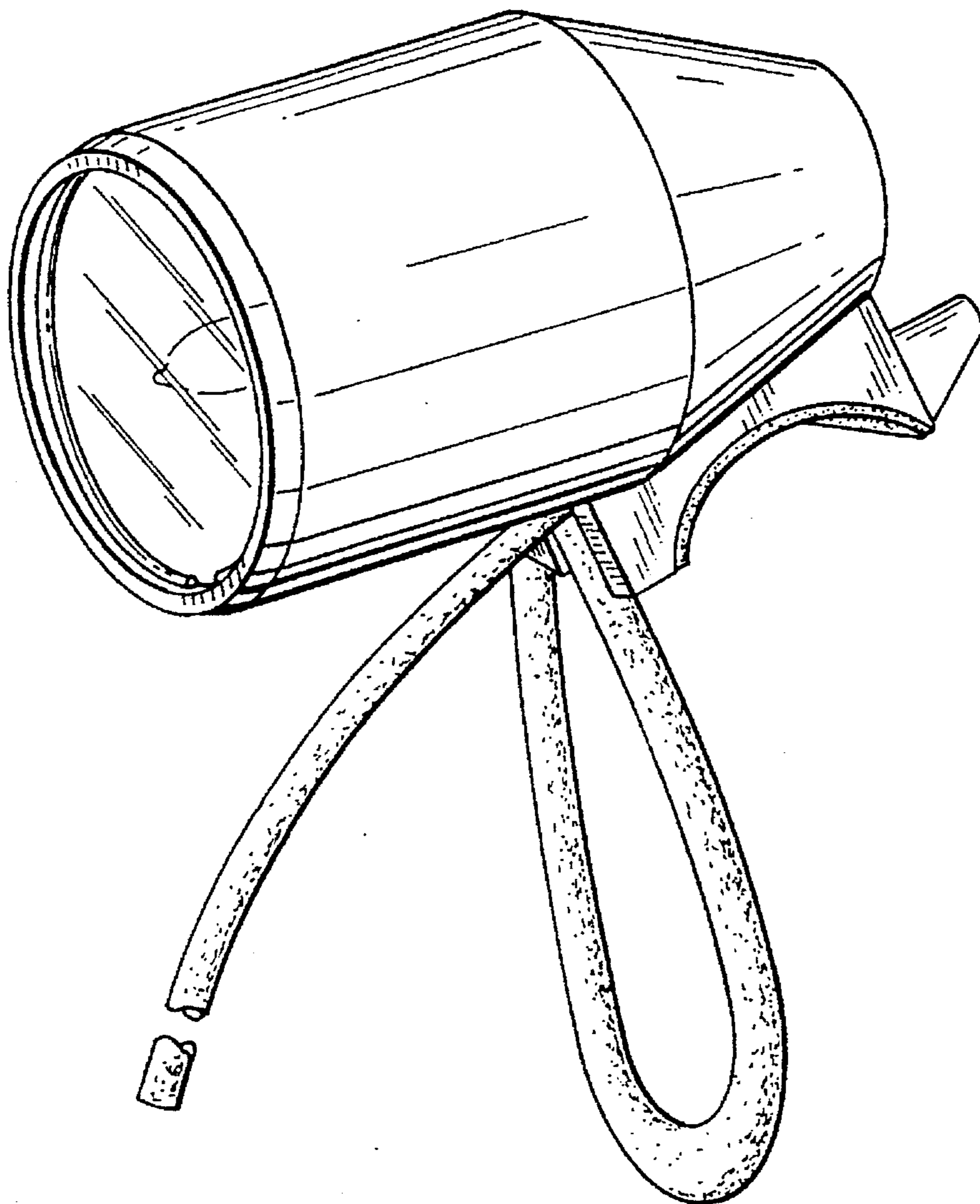
FIG. 1 is a perspective view from the front, left side and slightly above the bicycle lamp of my design with the end broken away to indicate indeterminate length;  
FIG. 2 is a left side elevational view thereof, with the opposite side being a mirror image;  
FIG. 3 is a top plan view thereof;  
FIG. 4 is a bottom plan view thereof;  
FIG. 5 is a front elevational view thereof; and,  
FIG. 6 is a rear elevational view thereof.

[56] **References Cited**

**U.S. PATENT DOCUMENTS**

- D. 314,243 1/1991 Ueda ..... D26/28
- D. 346,230 4/1994 Ueda ..... D26/28
- D. 346,231 4/1994 Lai ..... D26/28

**1 Claim, 2 Drawing Sheets**



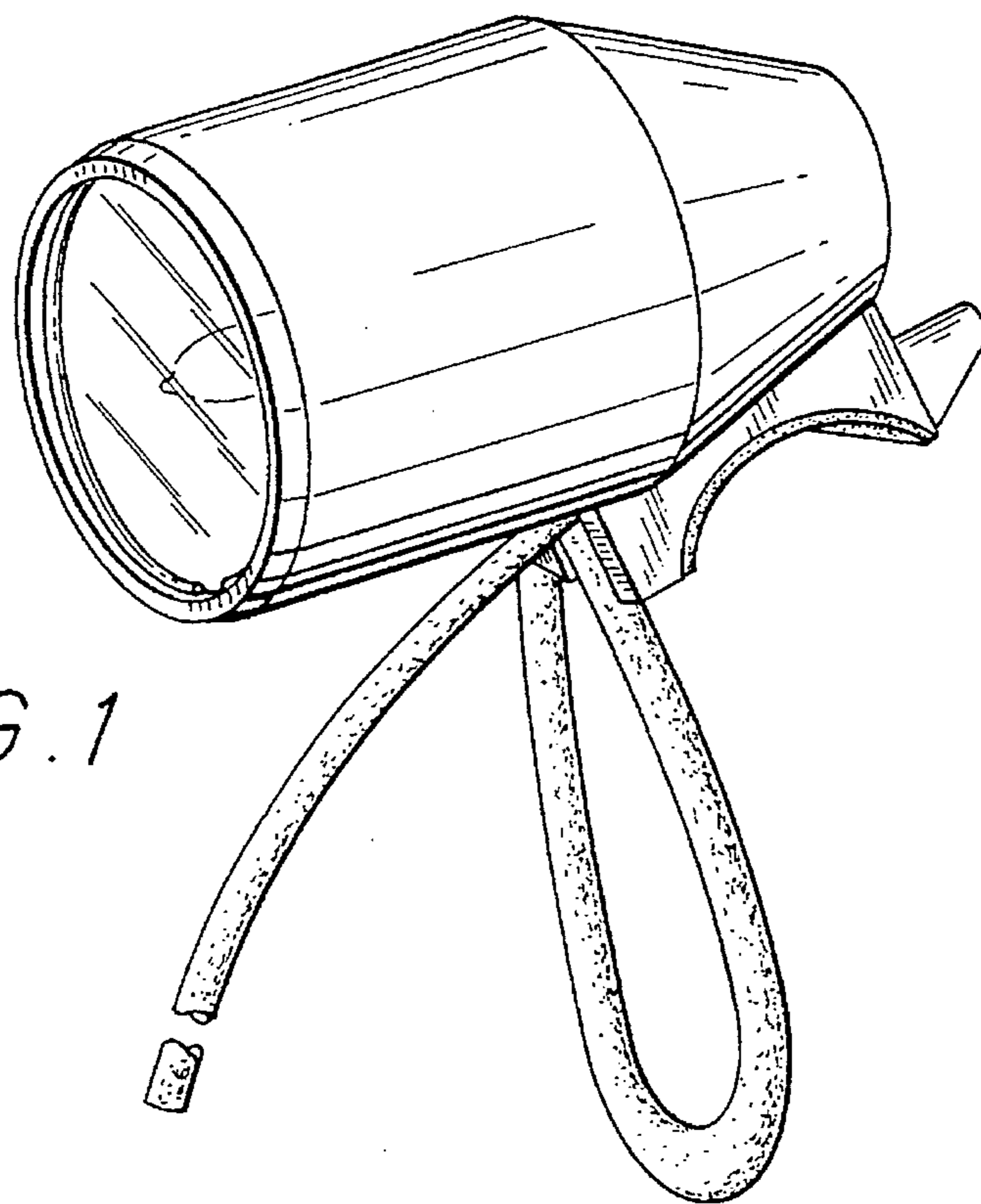


FIG. 1

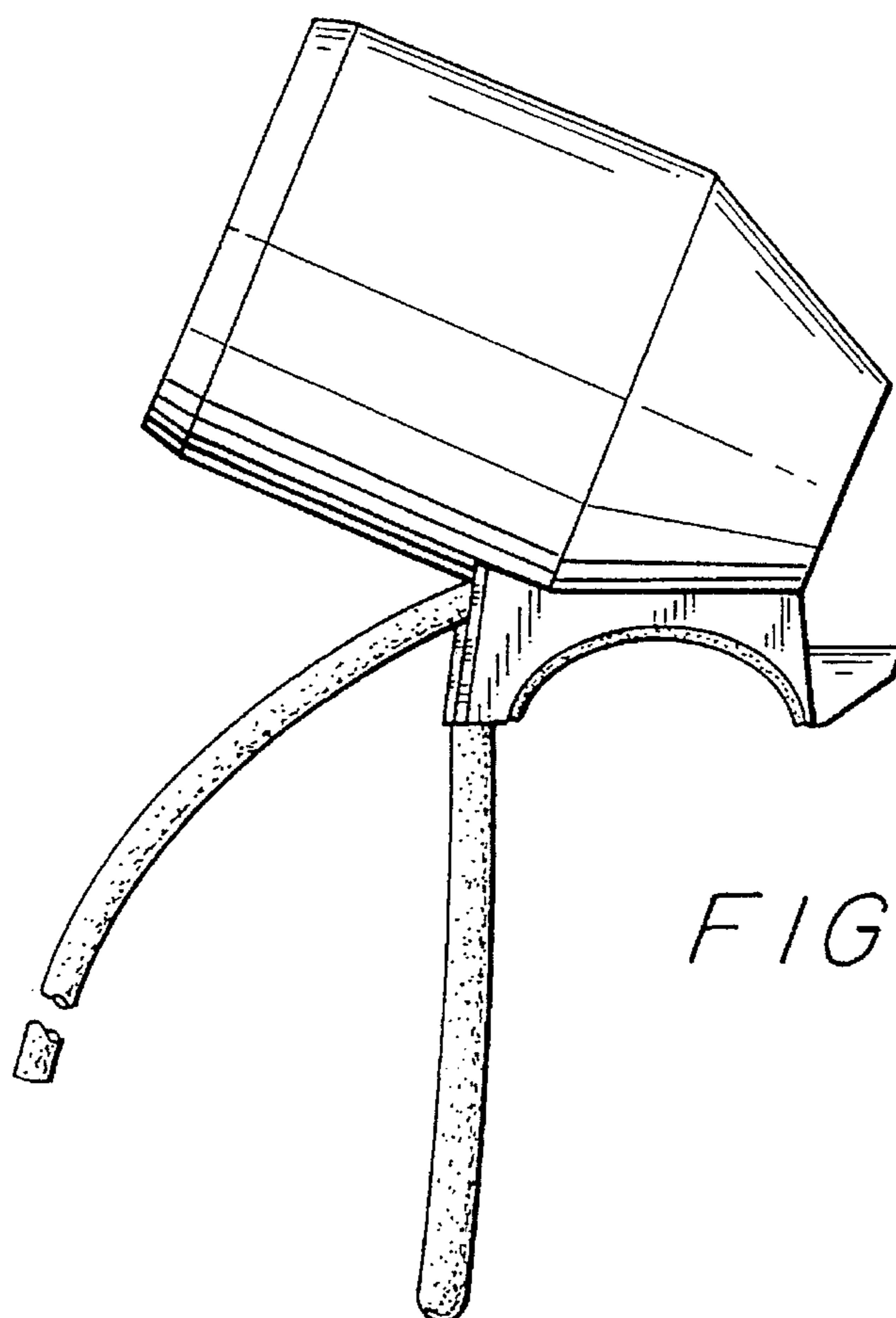


FIG. 2

FIG. 3

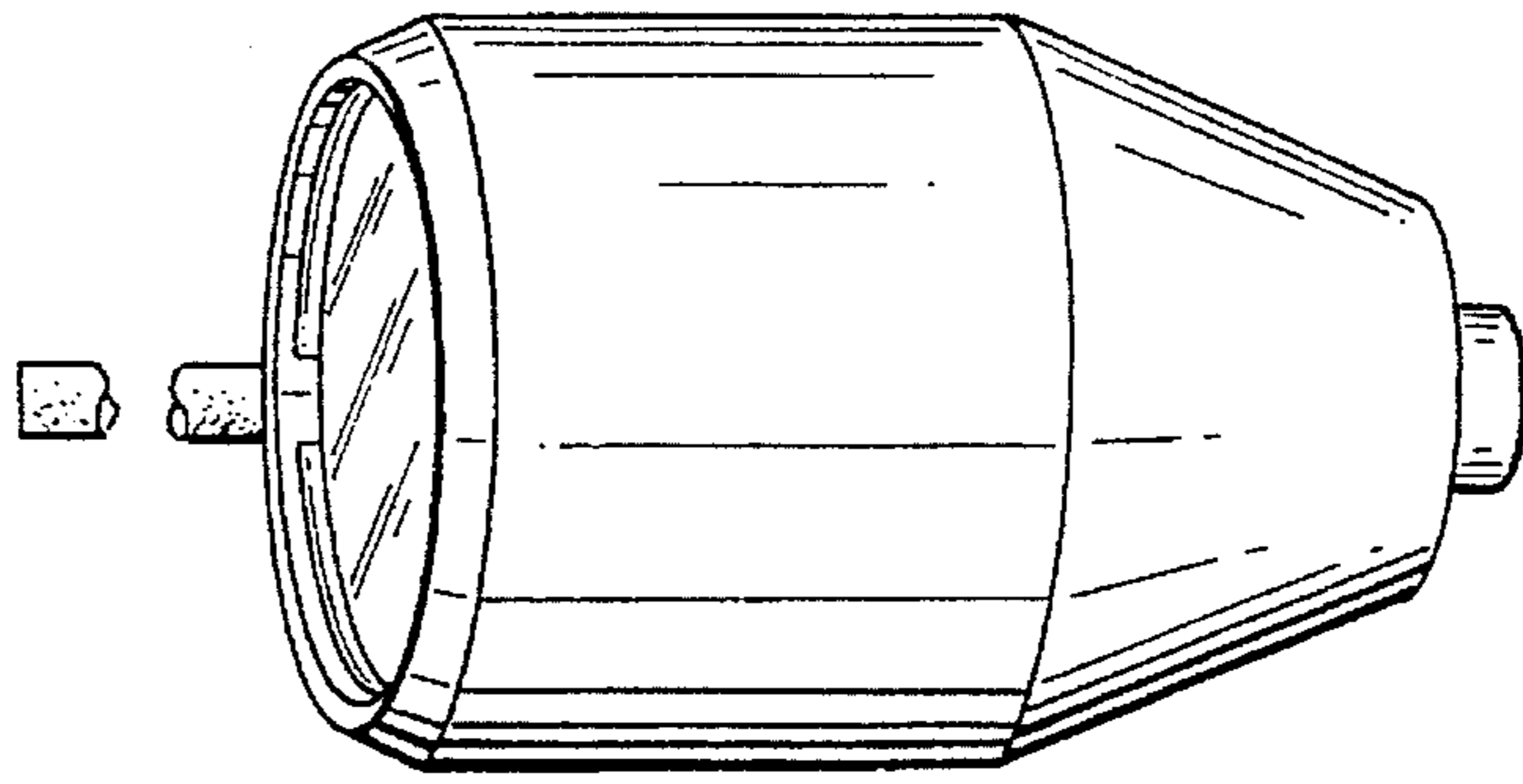


FIG. 4

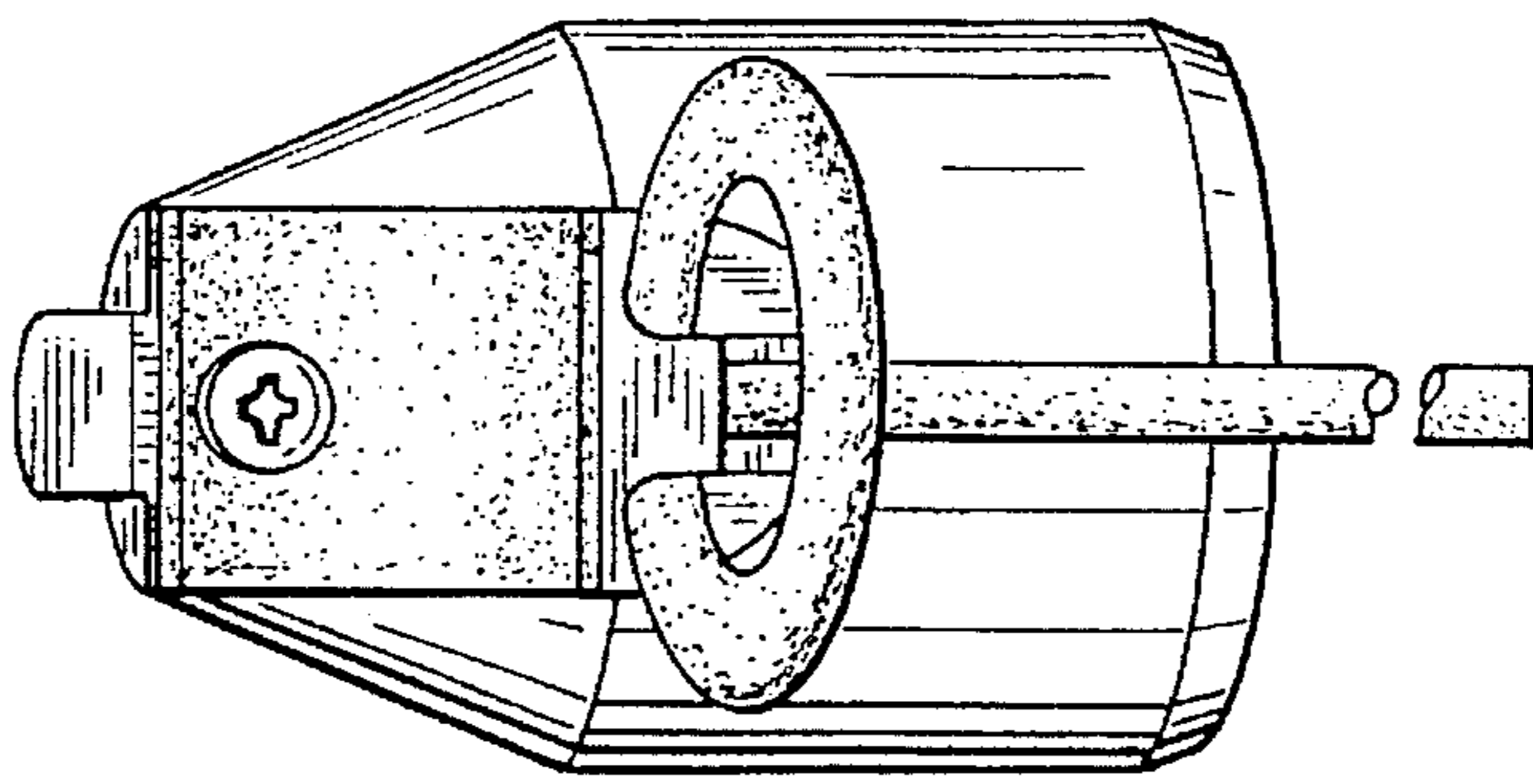


FIG. 5

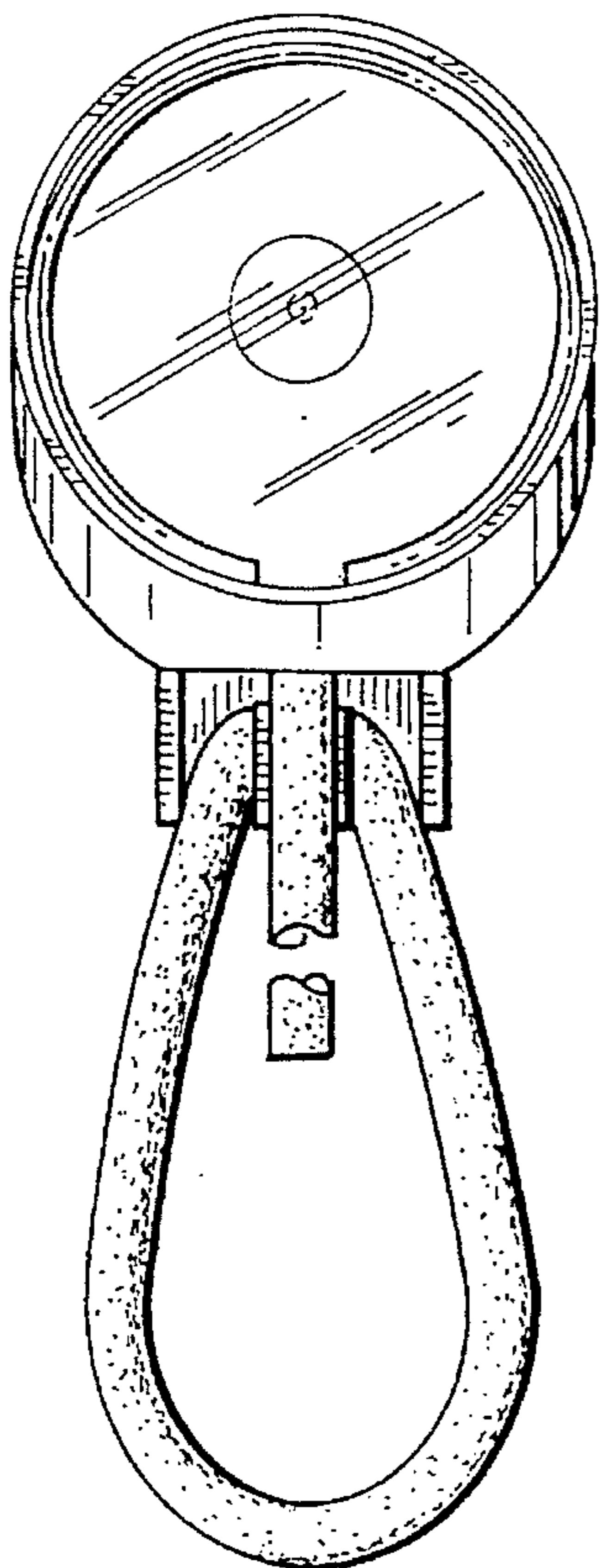


FIG. 6

