



US00D370983S

United States Patent [19]

Stansfield

[11] Patent Number: **Des. 370,983**

[45] Date of Patent: ****Jun. 18, 1996**

[54] **EXTRUDED SECTION**

[76] Inventor: **Anthony Stansfield**, 27 Surfers Waters, Cotlew Street, Southport, Queensland, 4215, Australia

[**] Term: **14 Years**

[21] Appl. No.: **30,648**

[22] Filed: **Nov. 4, 1994**

[52] U.S. Cl. **D25/121**

[58] **Field of Search** D25/121, 123, D25/119; 49/504, DIG. 1; 52/716.1, 717.02, 730.1, 730.2, 730.3, 730.4, 730.5, 730.6

[56] **References Cited**

U.S. PATENT DOCUMENTS

D. 60,733 3/1922 Murnane D25/121
D. 204,889 5/1966 Gingher D25/121 X

D. 270,375 8/1983 Cavalie D25/121
3,556,745 1/1971 Zaremski D25/121 X

Primary Examiner—Antoine Duval Davis
Attorney, Agent, or Firm—Amster, Rothstein & Ebenstein

[57] **CLAIM**

The ornamental design for an extruded section, as shown and described.

DESCRIPTION

FIG. 1 is an end elevational view of one end of an extruded section showing my new design, the opposed end being a mirror image of the one end; and, FIG. 2 is a perspective view thereof from one end, the bottom and one side, the opposed side being a mirror image of the one side, with the extruded section shown broken away to disclose indefinite length.

1 Claim, 1 Drawing Sheet

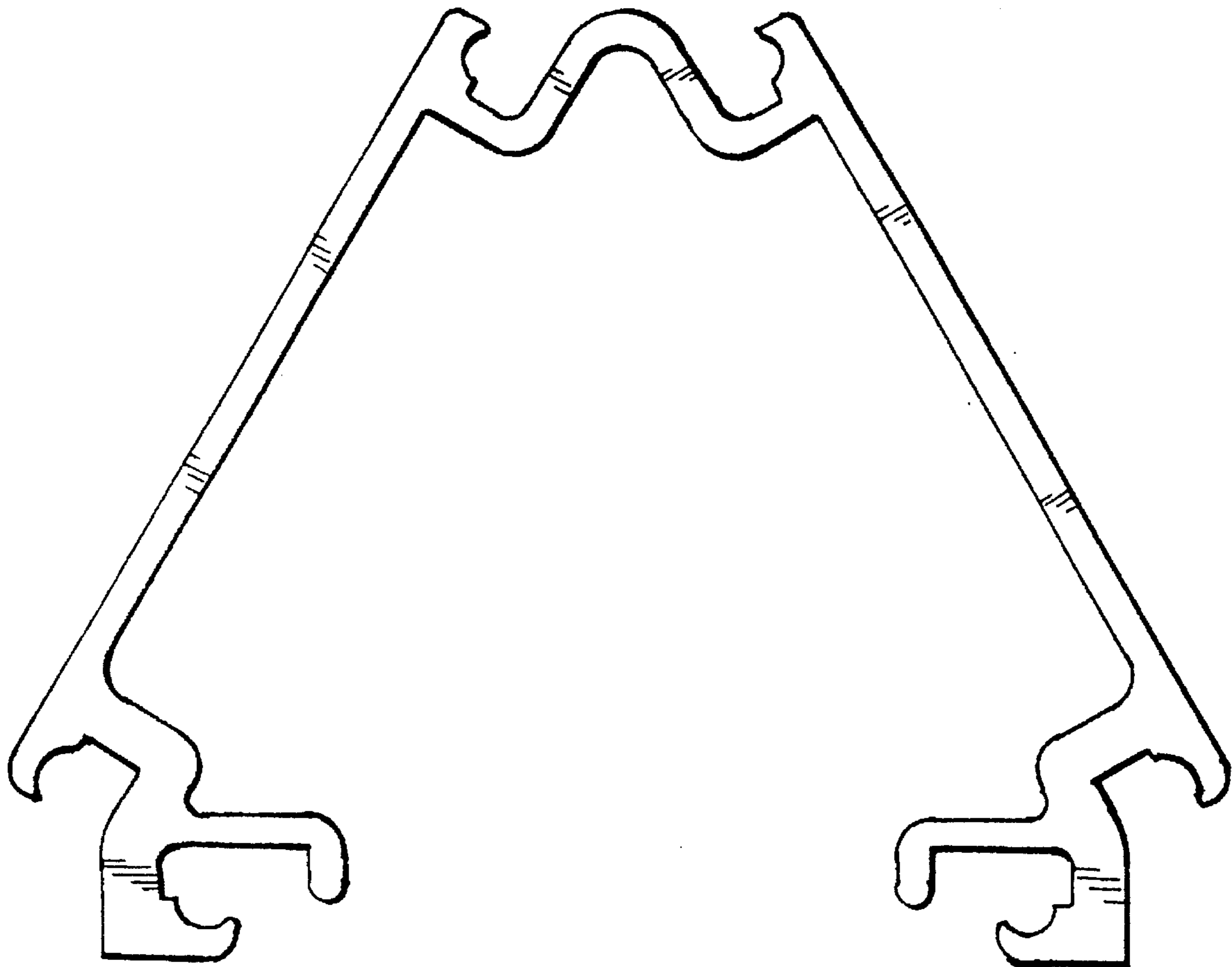


FIG. 1

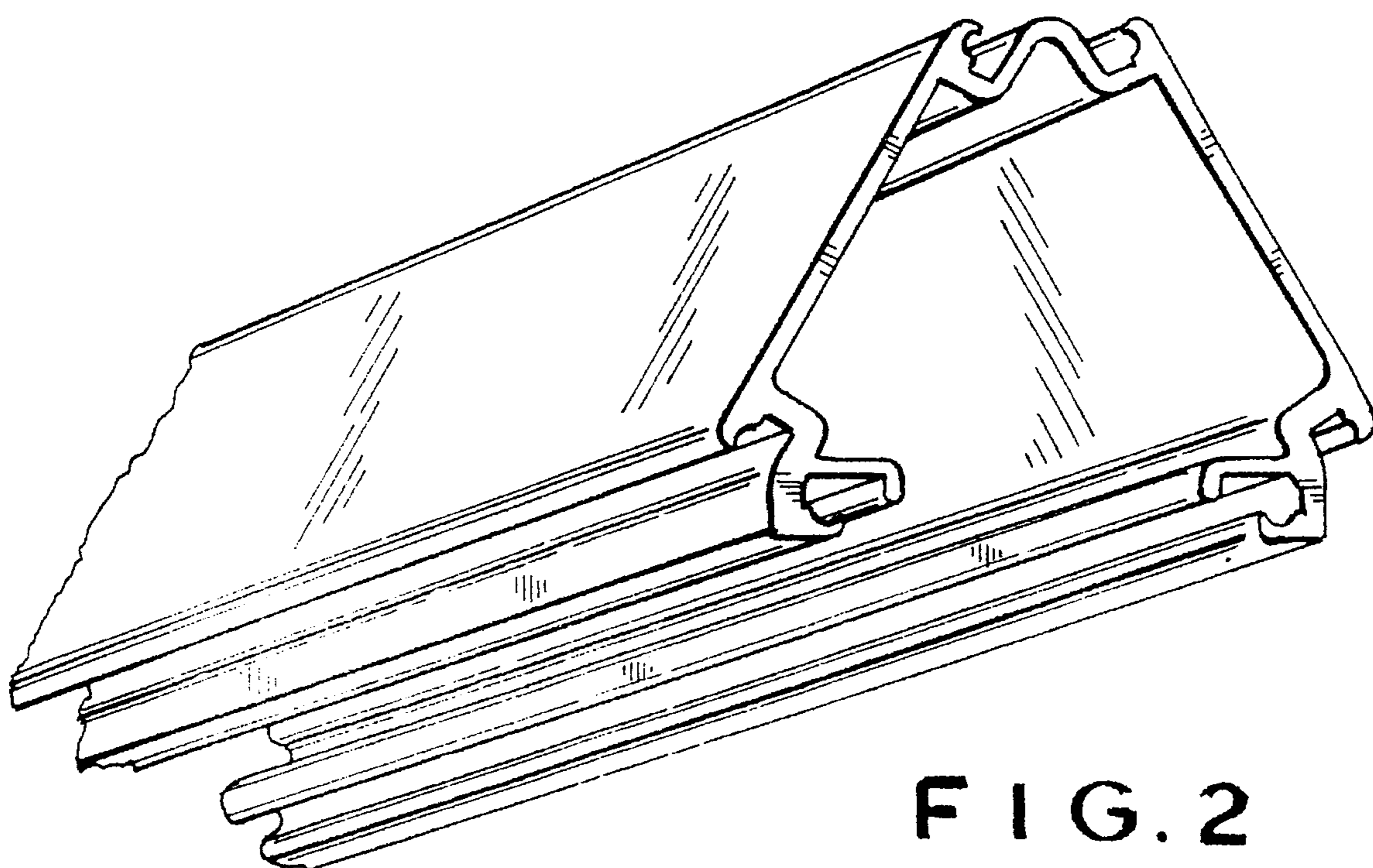
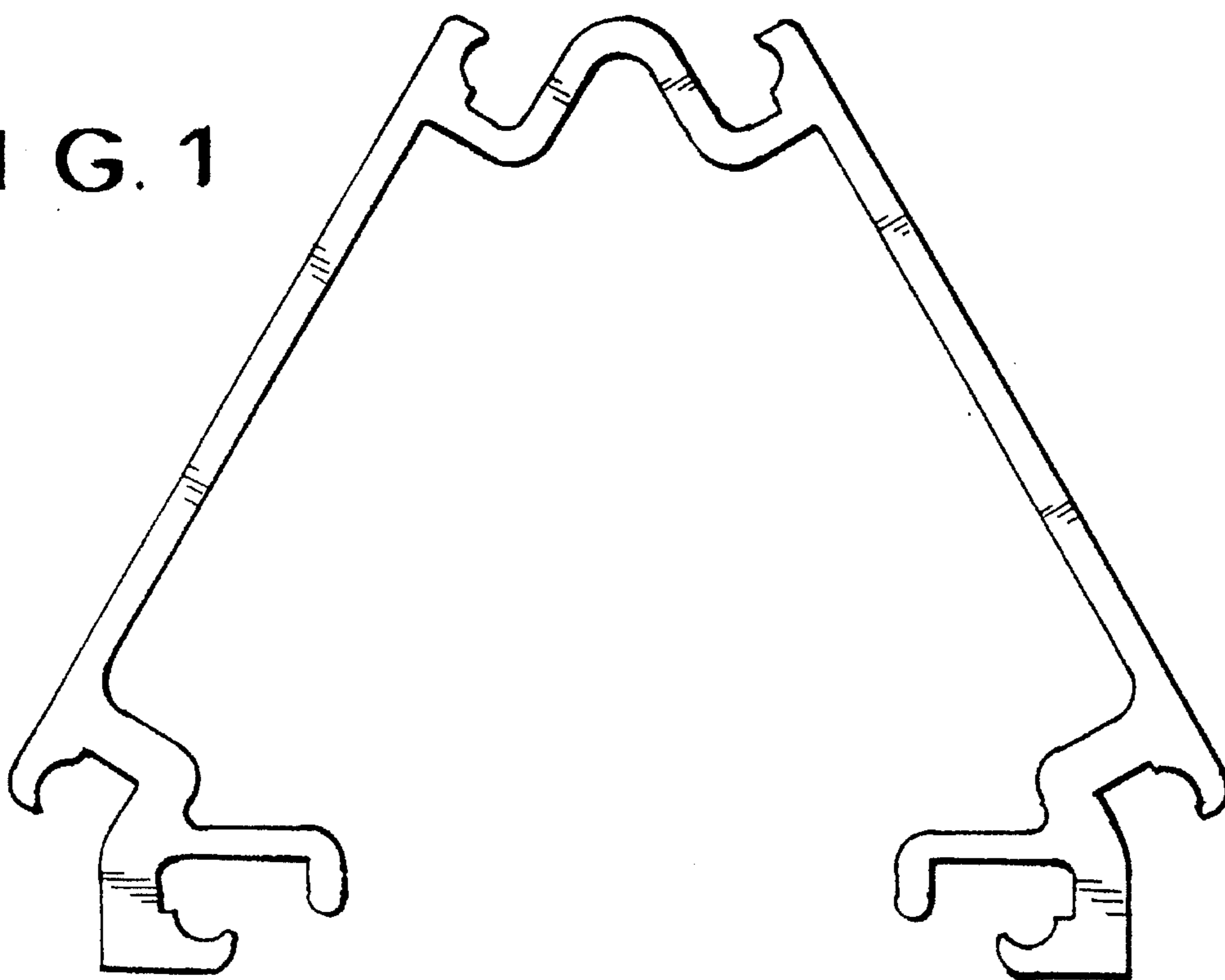


FIG. 2