



US00D370980S

# United States Patent [19] Shink

[11] Patent Number: **Des. 370,980**

[45] Date of Patent: **\*\*Jun. 18, 1996**

[54] **IONTOPHORETIC APPLICATOR**

[75] Inventor: **Norman M. Shink**, Wanchi, Hong Kong

[73] Assignee: **Quorum International, Ltd.**, Phoenix, Ariz.

[\*\*] Term: **14 Years**

[21] Appl. No.: **32,167**

[22] Filed: **Dec. 13, 1994**

[52] U.S. Cl. .... **D24/189**

[58] Field of Search ..... D24/189, 187; 604/20, 892.1, 19

D. 359,807 6/1995 Mikler et al. .... D24/189  
 4,919,648 4/1990 Sibalis ..... 604/20  
 5,167,617 12/1992 Sibalis ..... 604/20

*Primary Examiner*—Stella Reid  
*Attorney, Agent, or Firm*—David G. Rosenbaum

[57] **CLAIM**

The ornamental design for an iontophoretic applicator, as shown.

**DESCRIPTION**

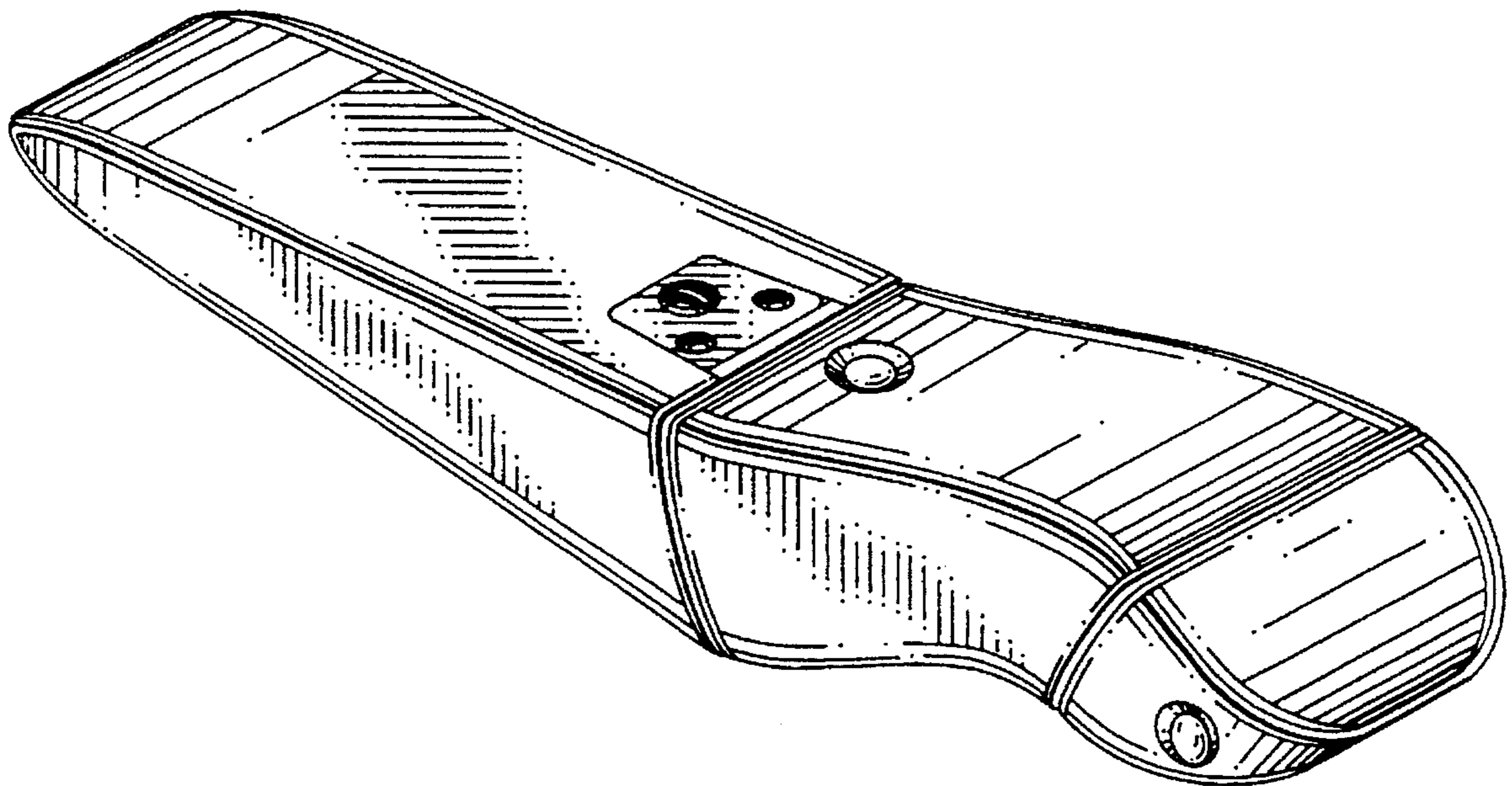
FIG. 1 is a perspective view of an iontophoretic applicator showing our new design;  
 FIG. 2 is a top plan view thereof;  
 FIG. 3 is a bottom plan view thereof;  
 FIG. 4 is a side elevational view thereof, the opposite side elevational view being identical thereto;  
 FIG. 5 is a front elevational view thereof; and,  
 FIG. 6 is a rear elevational view thereof.

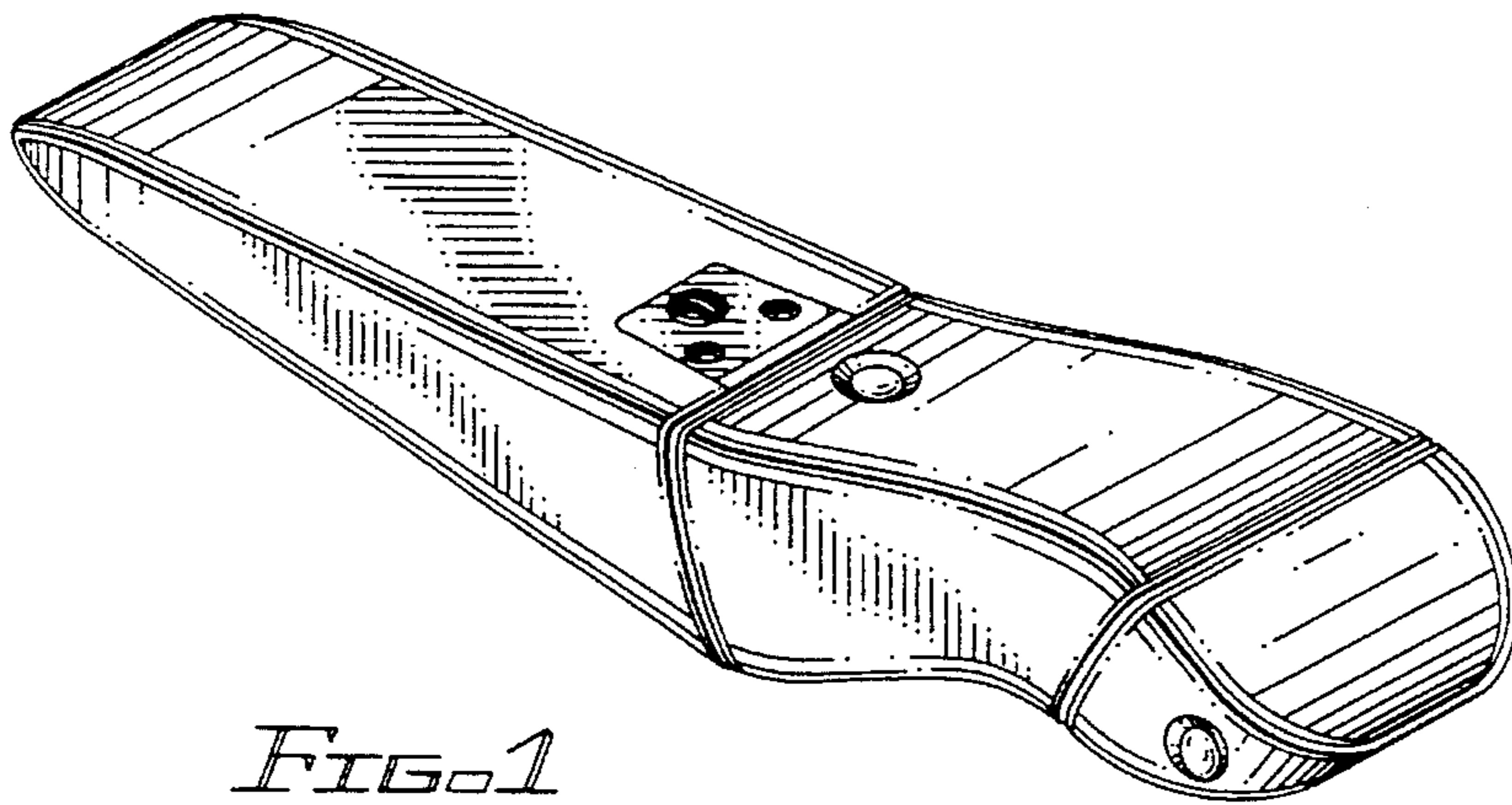
[56] **References Cited**

**U.S. PATENT DOCUMENTS**

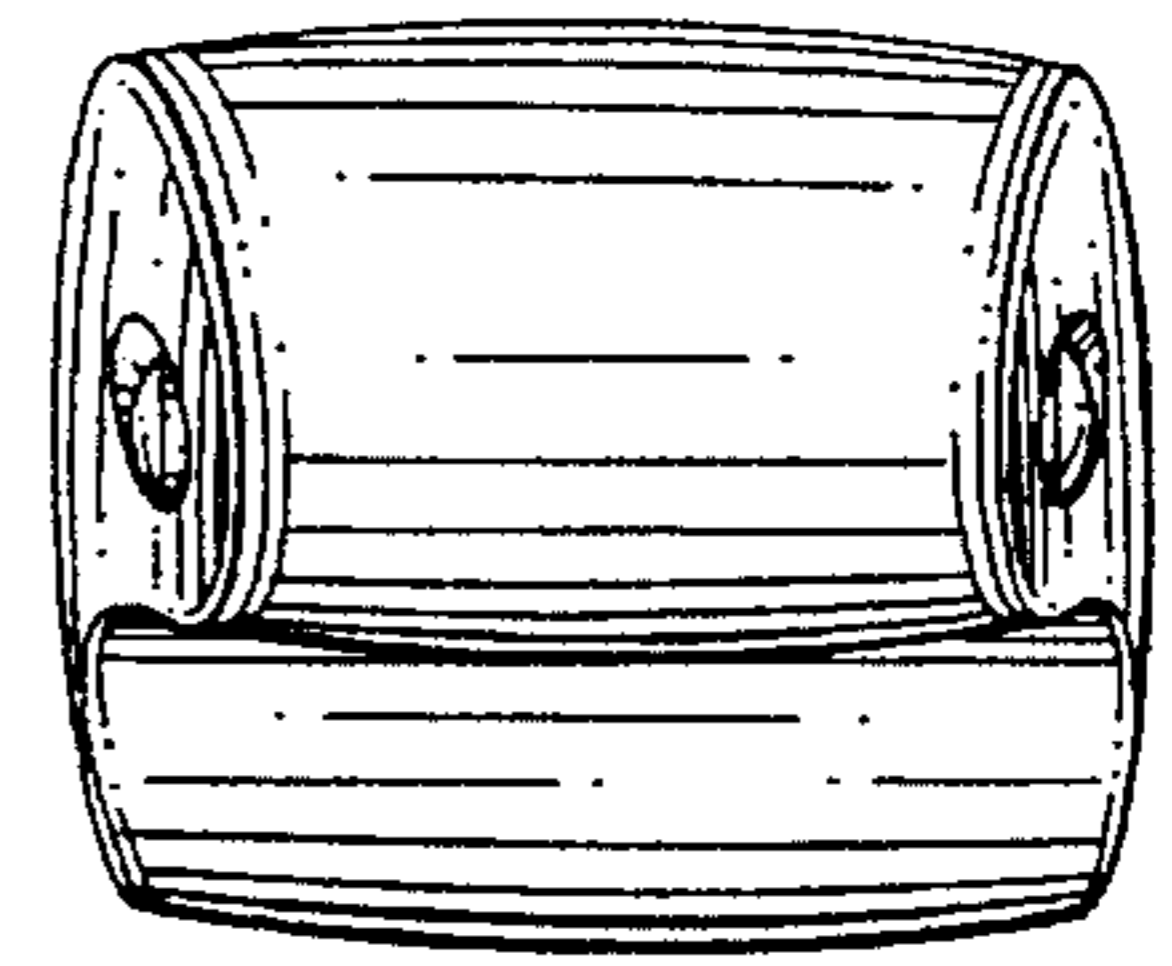
D. 343,684 1/1994 Paton ..... D24/189  
 D. 359,805 6/1995 Mikler et al. .... D24/189  
 D. 359,806 6/1995 Mikler et al. .... D24/189

**1 Claim, 1 Drawing Sheet**

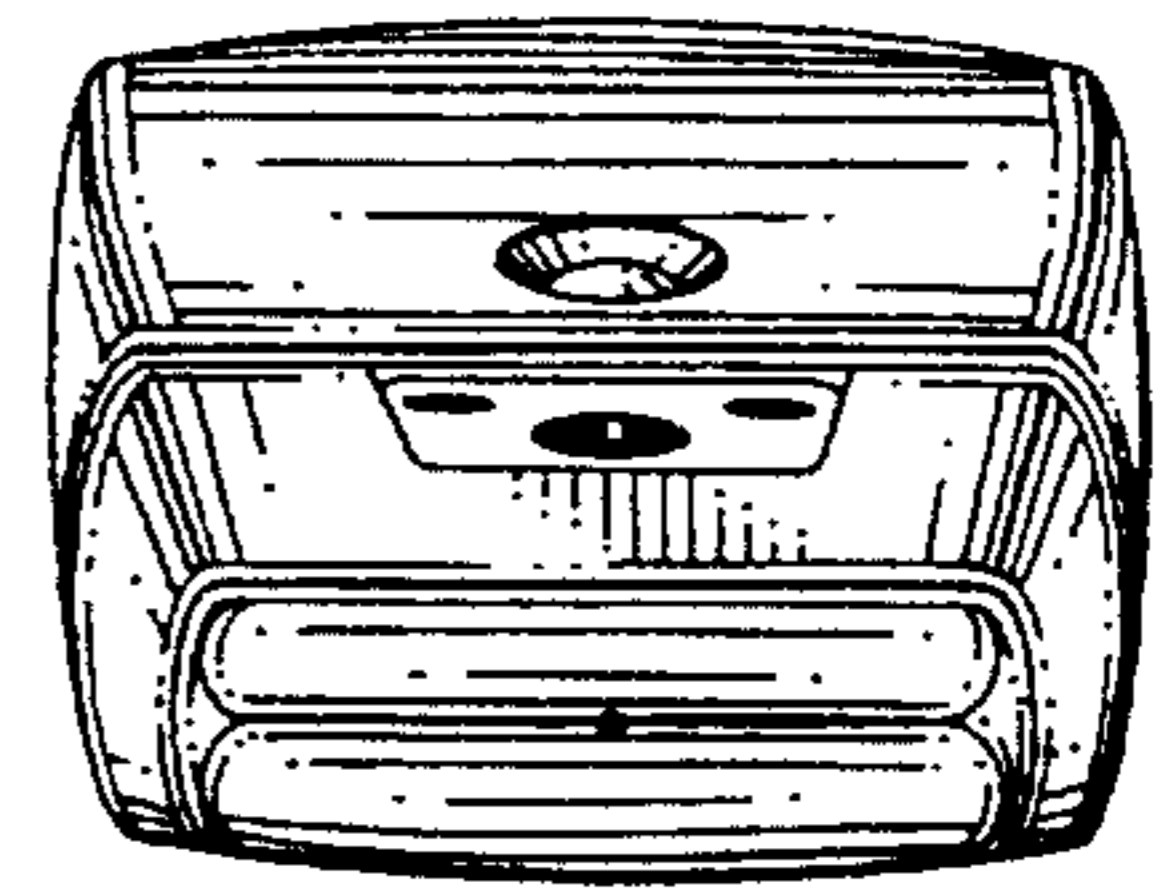




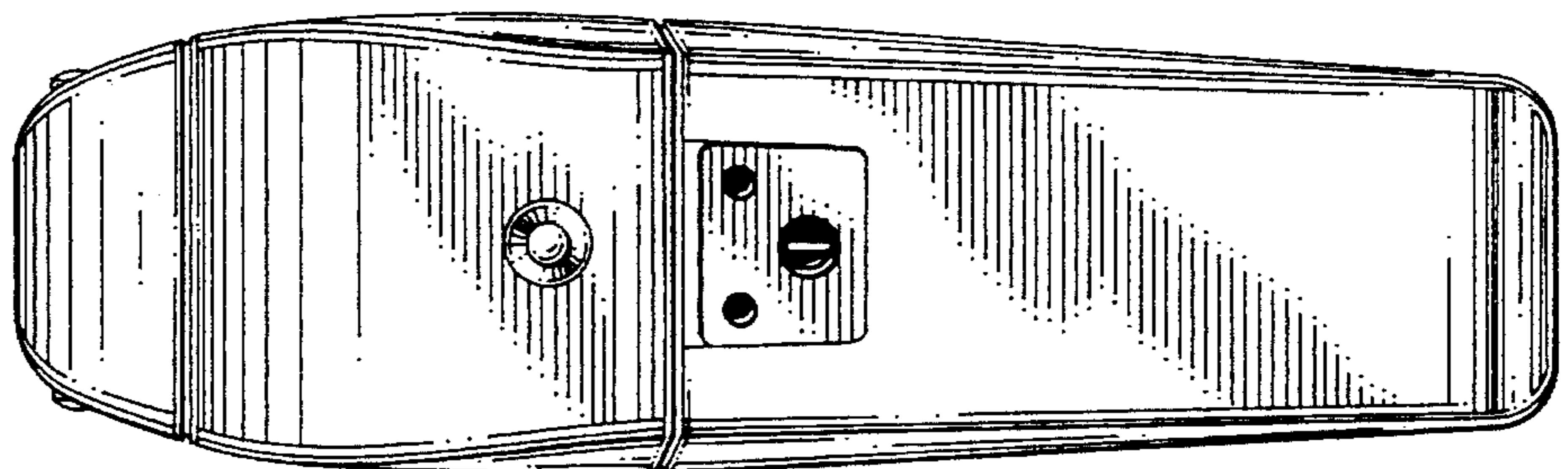
*FIG. 1*



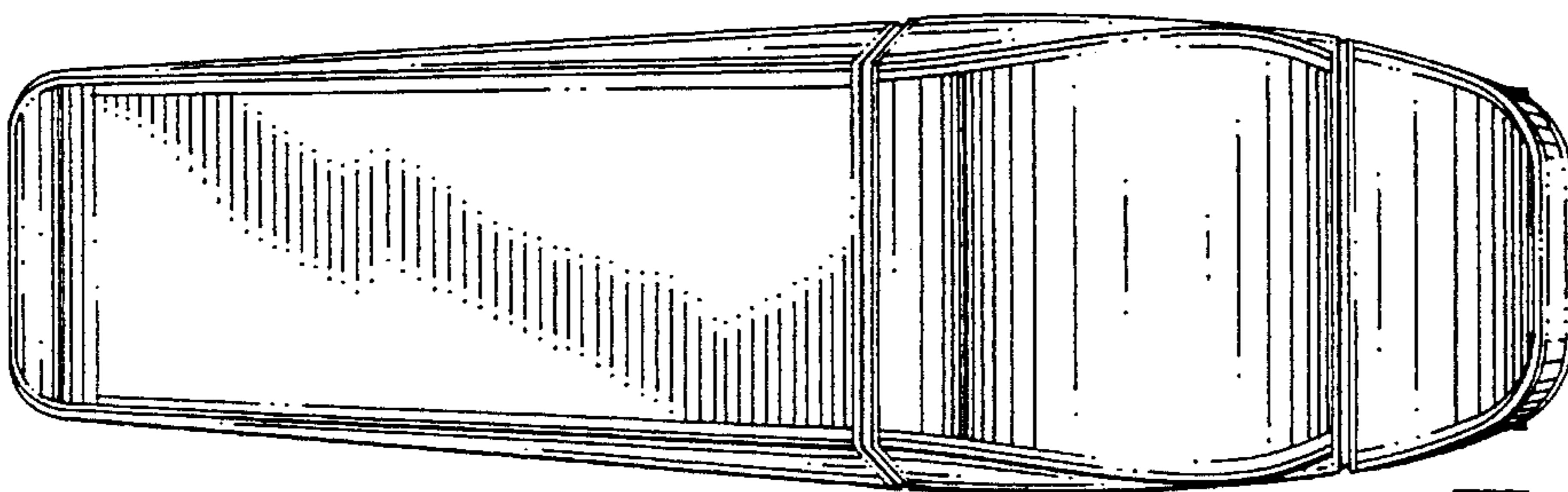
*FIG. 5*



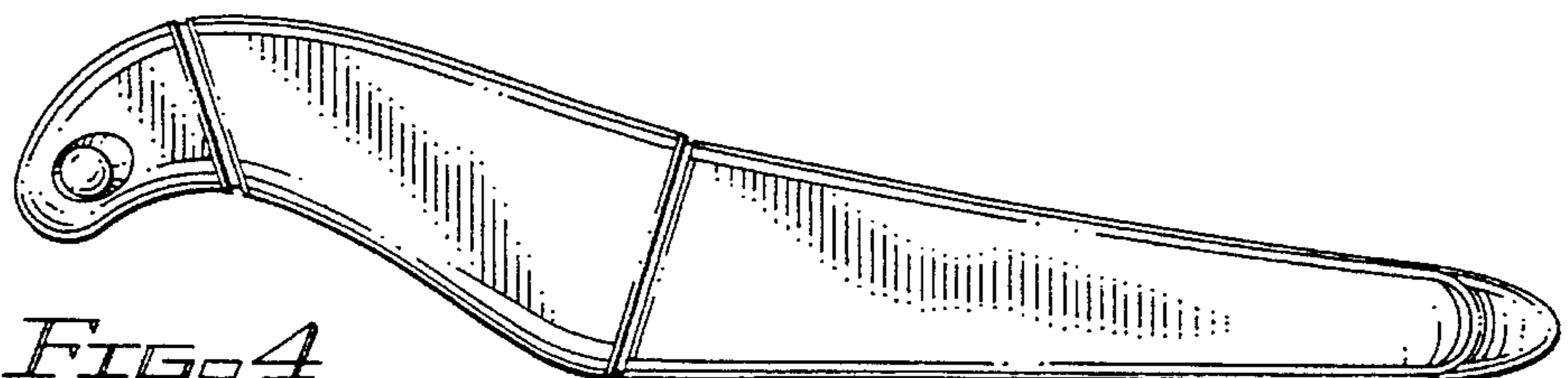
*FIG. 6*



*FIG. 2*



*FIG. 3*



*FIG. 4*