



US00D370979S

United States Patent [19]

Pascale et al.

[11] Patent Number: **Des. 370,979**

[45] Date of Patent: ****Jun. 18, 1996**

[54] **FLUID PROCESSING SYSTEM**

5,423,738 6/1995 Robinson et al. 604/4

[75] Inventors: **Frank R. Pascale**, Glen Cove; **Thomas J. Bormann**, Melville, both of N.Y.; **Benjamin Beck**, Boston, Mass.; **Thomas Burchard**, Winchester, Mass.; **Stephen Guerrero**, Milford, Mass.; **Youngmihn Kim**, Lexington, Mass.; **Vlado I. Matkovich**, Glen Cove, N.Y.

FOREIGN PATENT DOCUMENTS

9401193 1/1994 WIPO .

Primary Examiner—Stella Reid
Attorney, Agent, or Firm—Leydig, Voit & Mayer

[73] Assignee: **Pall Corporation**, East Hills, N.Y.

[57] CLAIM

The ornamental design for a fluid processing system, as shown and described.

[**] Term: **14 Years**

DESCRIPTION

[21] Appl. No.: **31,221**

FIG. 1 is a perspective view of the fluid processing system of the present invention;

[22] Filed: **Nov. 10, 1994**

FIG. 2 is a front view of the fluid processing system shown in FIG. 1;

[52] U.S. Cl. **D24/169**

FIG. 3 is a side view of the fluid processing system shown in FIG. 1, the opposite side view being identical thereto;

[58] Field of Search D24/169, 167;

210/321.8, 321.74, 198.1, 782, 787, 516;
604/4-6, 48; 422/46

FIG. 4 is a top view of the fluid processing system shown in FIG. 1;

[56] References Cited

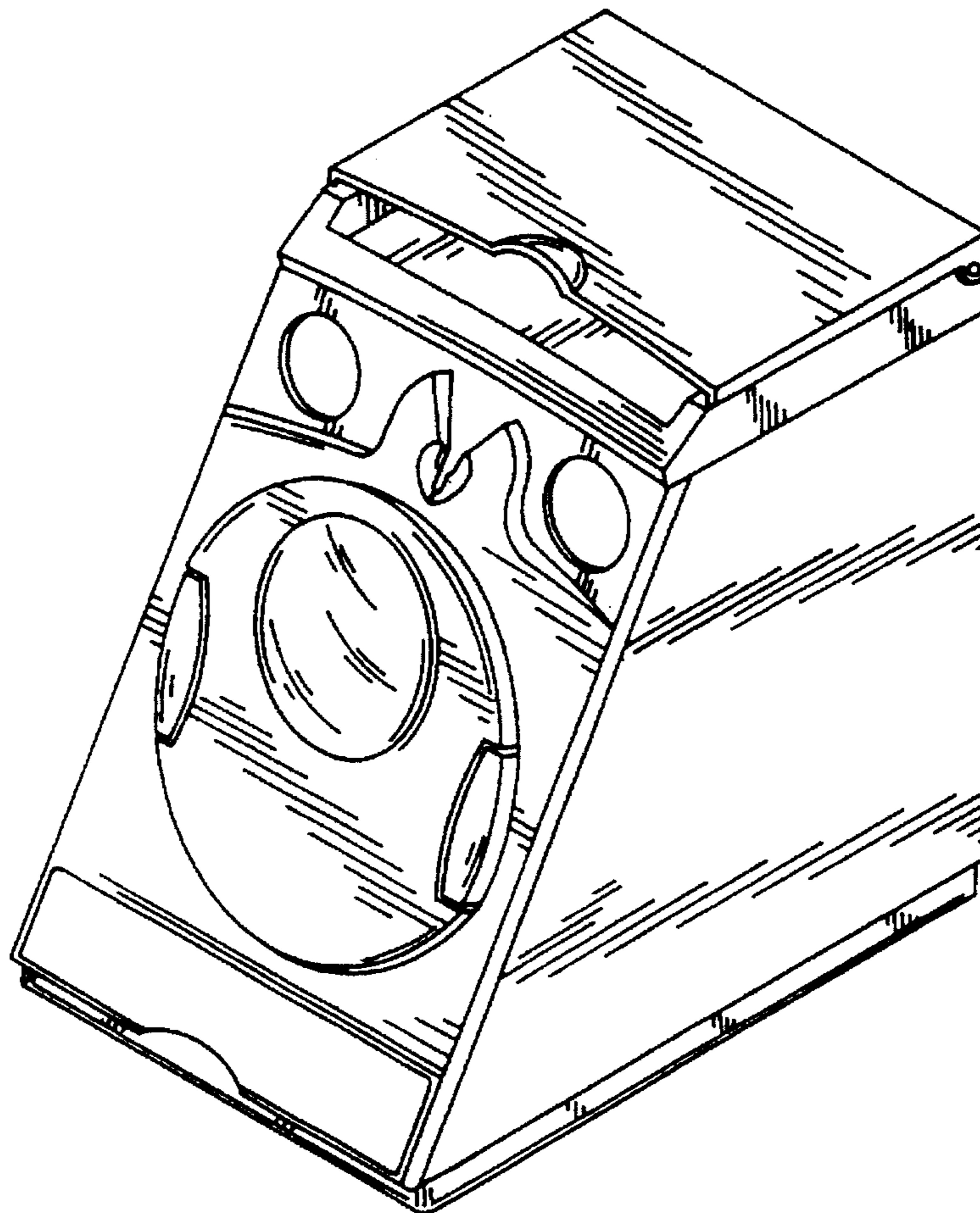
U.S. PATENT DOCUMENTS

D. 320,079	9/1991	Kida	D24/169
4,350,585	9/1982	Johansson et al.	D24/169 X
4,490,331	12/1984	Steg. Jr.	422/46
5,112,298	5/1992	Prince et al.	604/6

FIG. 5 is a bottom view of the fluid processing system shown in FIG. 1; and,

FIG. 6 is a rear view of the fluid processing system shown in FIG. 1.

1 Claim, 3 Drawing Sheets



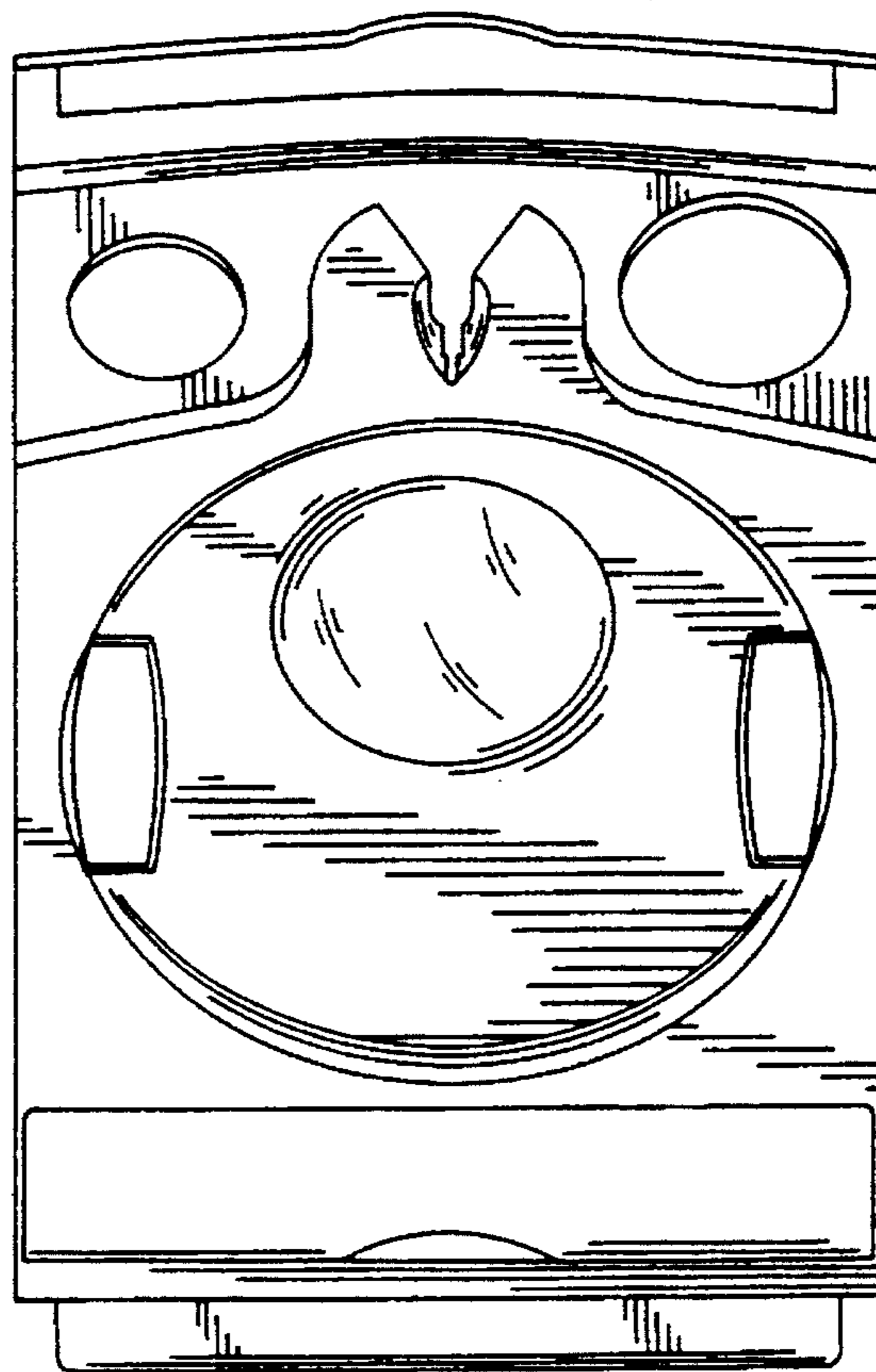
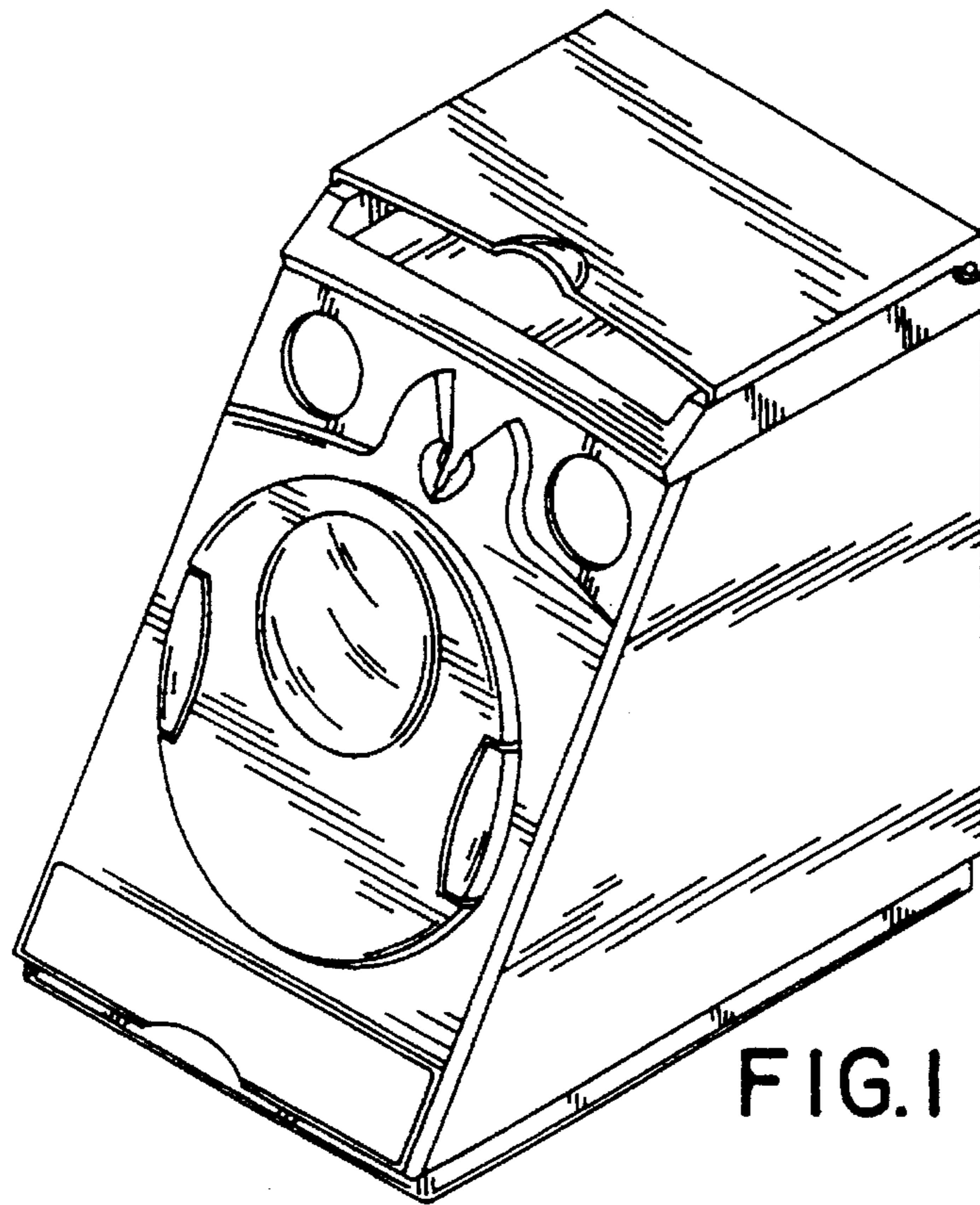


FIG. 2

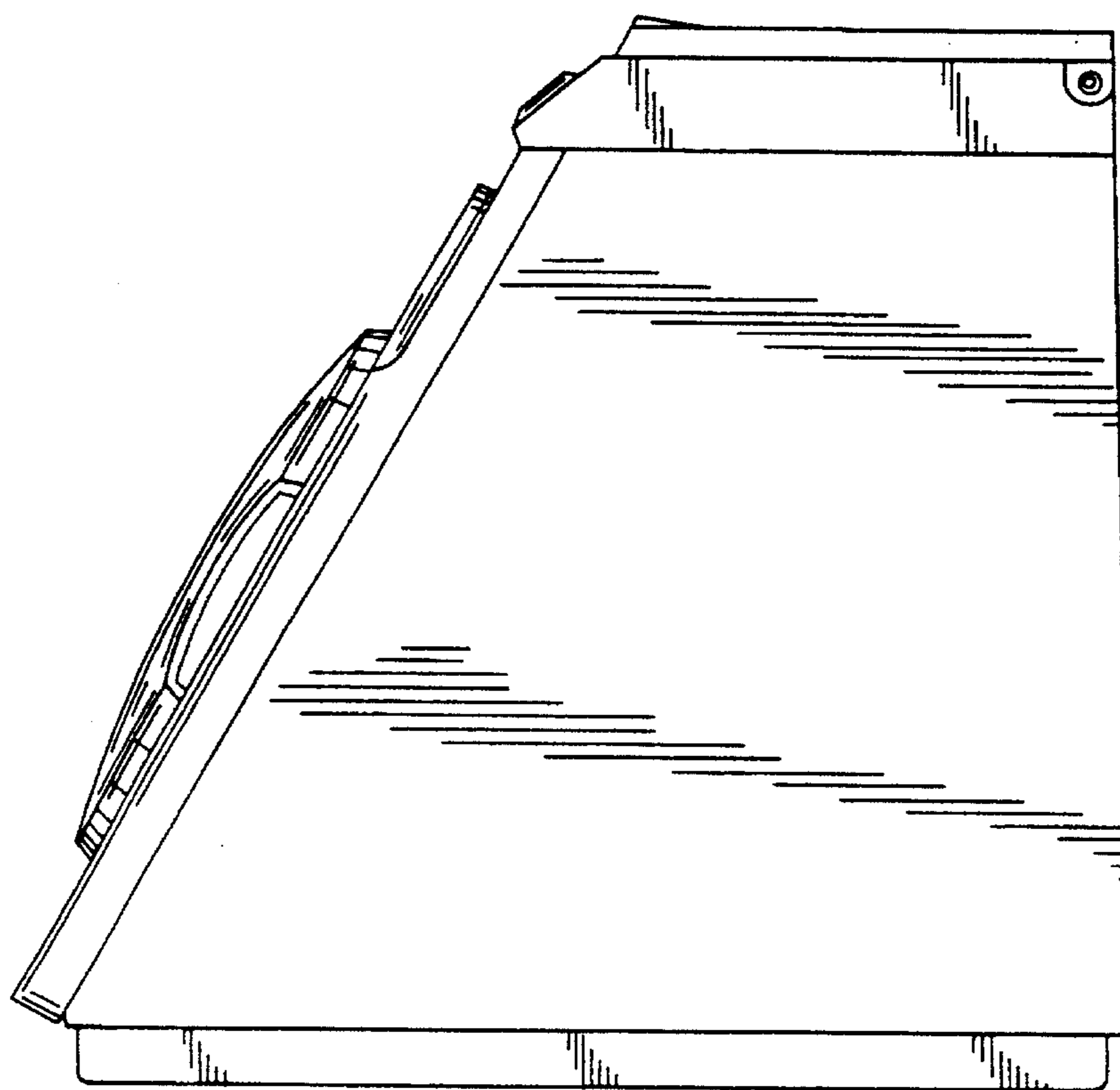


FIG. 3

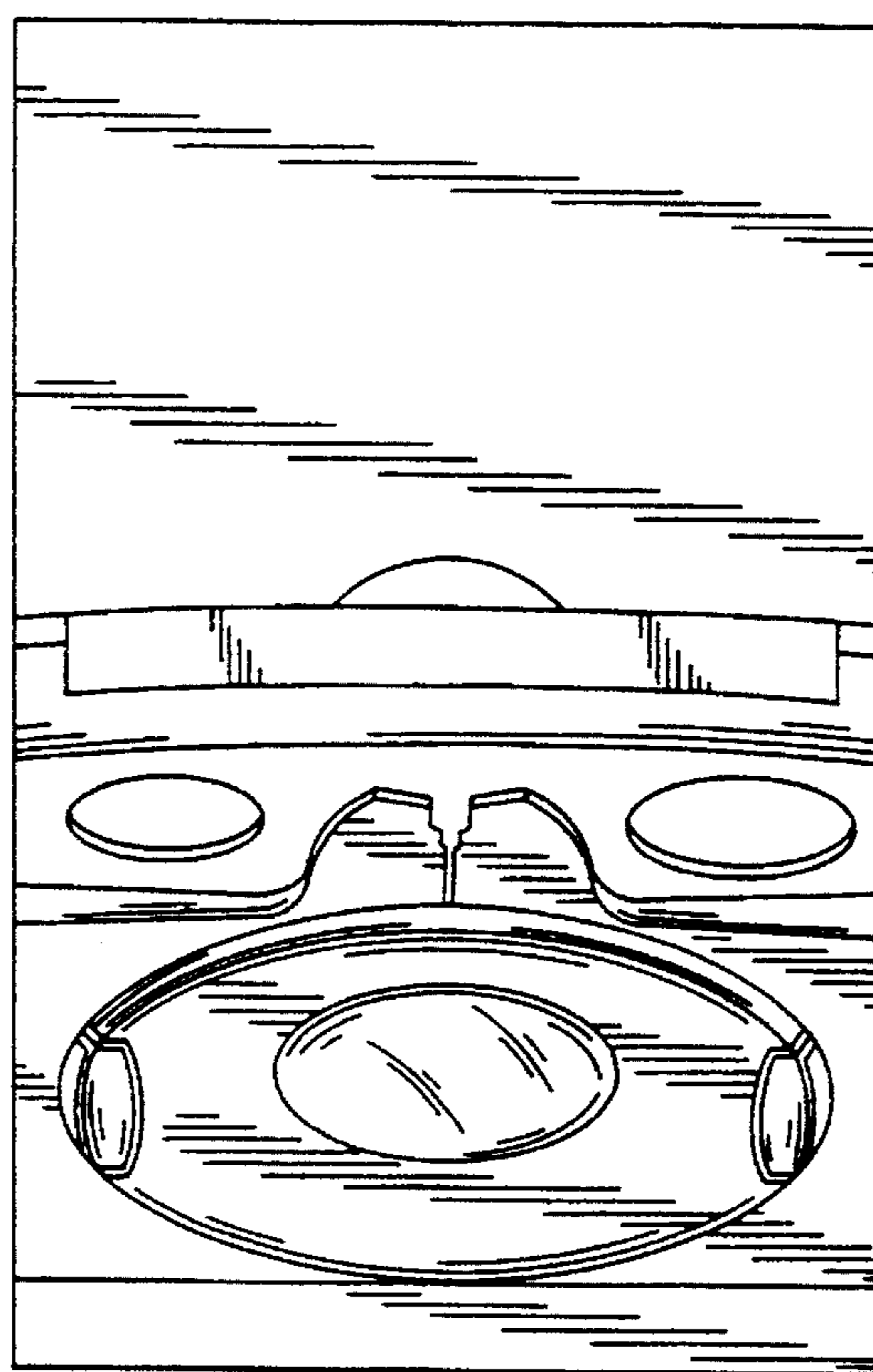


FIG. 4

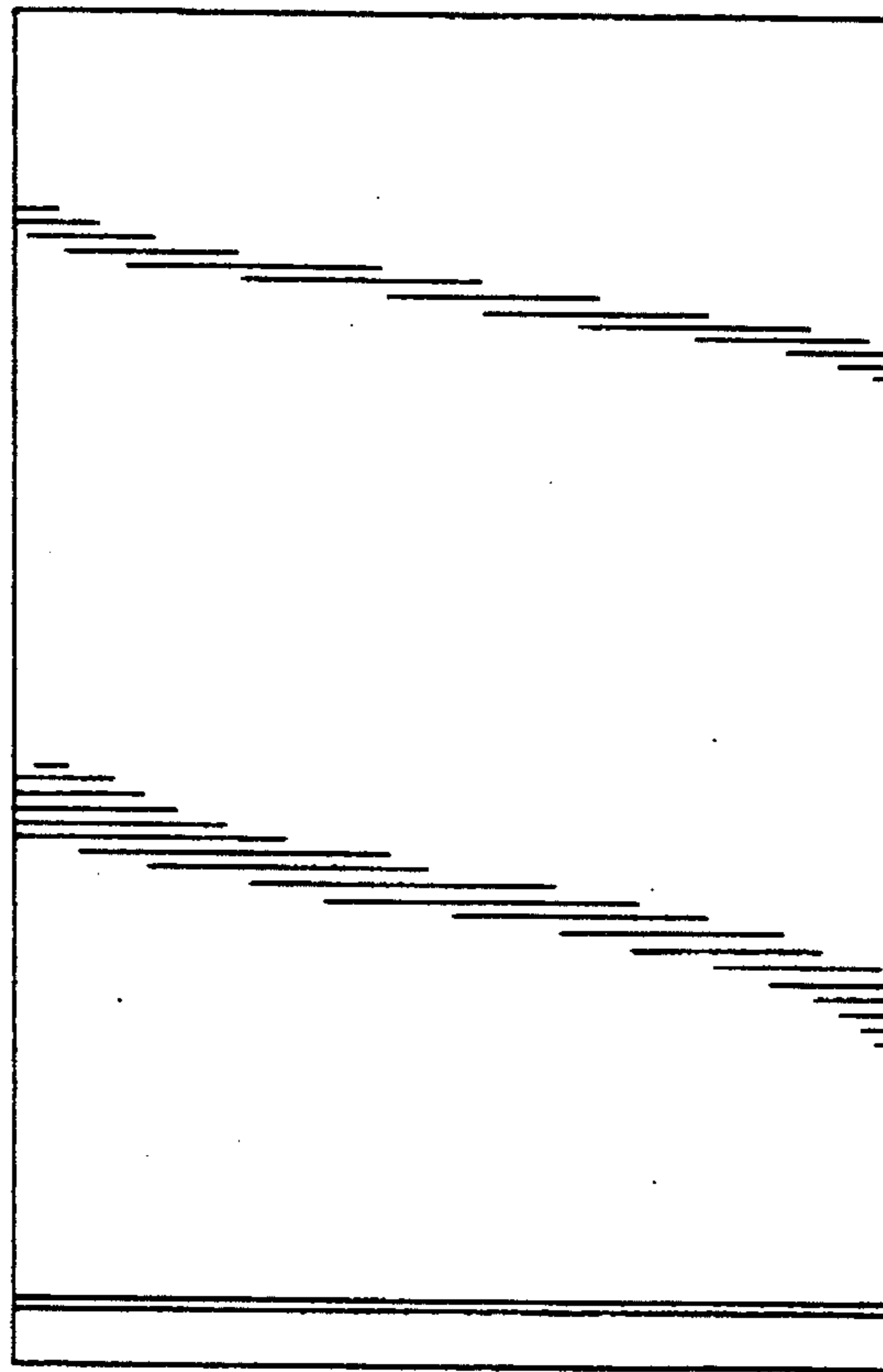


FIG. 5

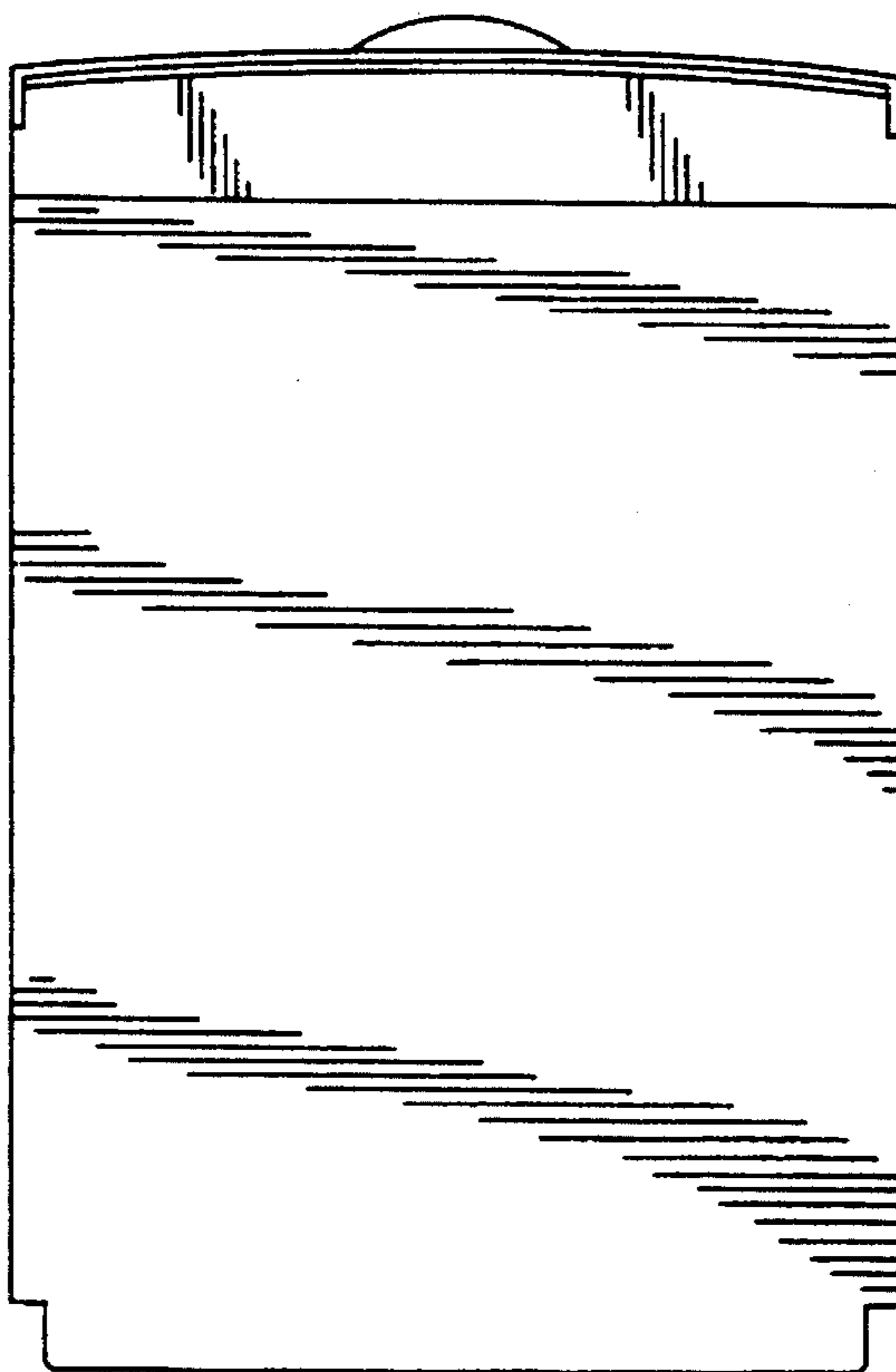


FIG. 6