



US00D370975S

United States Patent [19] Mohr

[11] **Patent Number: Des. 370,975**
[45] **Date of Patent: **Jun. 18, 1996**

[54] **URINE RELIEF TUBE**

[76] Inventor: **Harold R. Mohr**, 3459 Saddle Dr.,
Hayward, Calif. 94545

[**] Term: **14 Years**

[21] Appl. No.: **35,416**

[22] Filed: **Feb. 27, 1995**

[52] **U.S. Cl.** **D24/122**; 4/144.1

[58] **Field of Search** **D24/122, 110;**
4/144.1, 144.3, 144.4, 463

[56] **References Cited**

U.S. PATENT DOCUMENTS

D. 279,312	6/1985	Pohlmann	D24/110
D. 348,731	7/1994	Crawford	D24/122
3,832,738	9/1974	Kliemann	4/144.1
4,559,649	12/1985	Burnett	4/144.1
5,445,292	8/1995	Slomski et al.	4/144.1 X

FOREIGN PATENT DOCUMENTS

2677689	6/1991	France	4/463
3150679	6/1983	Germany	4/144.1
1443060	7/1976	United Kingdom	4/144.1

Primary Examiner—Louis S. Zarfes

Assistant Examiner—Frank Martinez
Attorney, Agent, or Firm—Linval B. Castle

[57] **CLAIM**

The ornamental design for a urine relief tube, as shown and described.

DESCRIPTION

FIG. 1 is a side view illustrating a urine relief tube showing my new design, the opposite side being a mirror image thereof;

FIG. 2 is a top plan view thereof;

FIG. 3 is a rear end view thereof;

FIG. 4 is a front end view thereof;

FIG. 5 is a bottom plan view thereof;

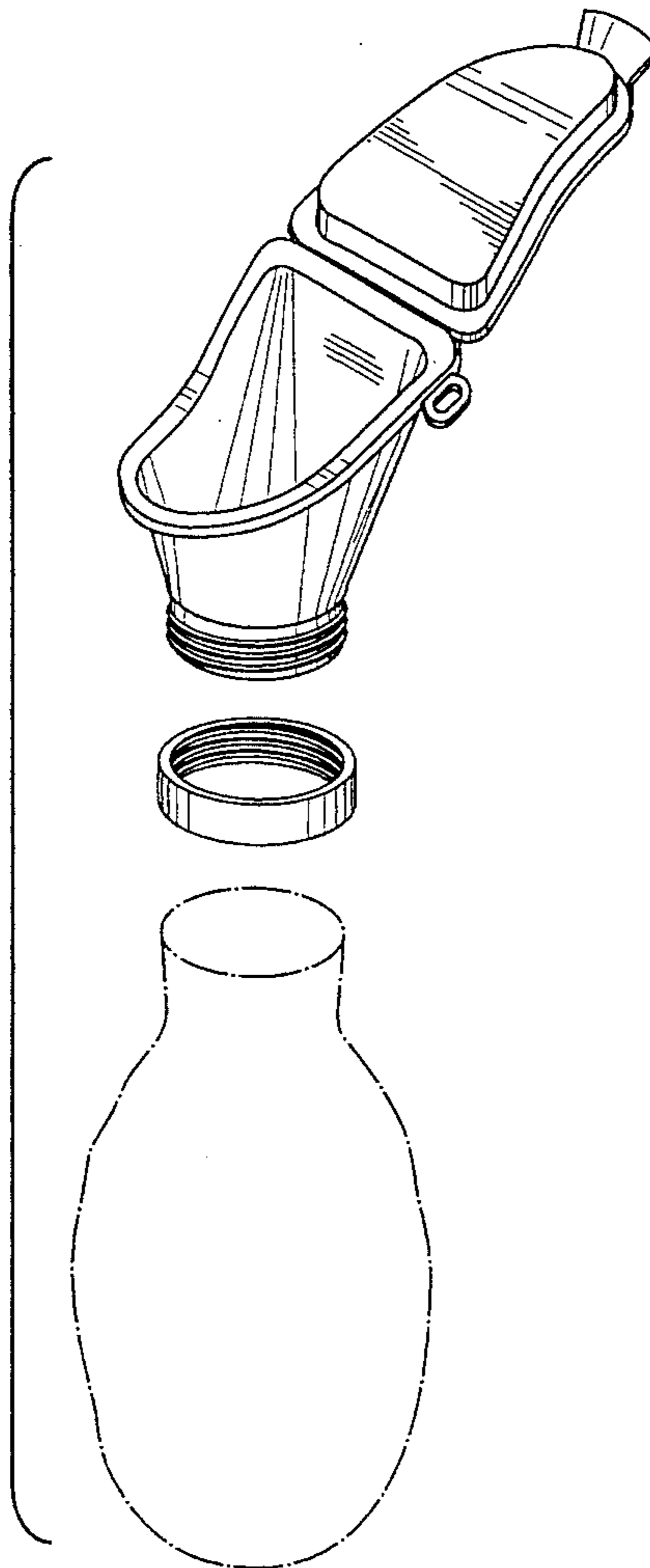
FIG. 6 is a perspective view thereof;

FIG. 7 is a perspective view illustrating the relief tube with top open and with the storage bag attachment ring removed; and,

FIG. 8 is a perspective view illustrating the relief tube with a storage bag secured between the attachment ring and neck of the tube.

The broken line showing of the environmental structure of a storage bag in FIGS. 7 and 8 is for illustrative purposes only and forms no part of the claimed design.

1 Claim, 2 Drawing Sheets



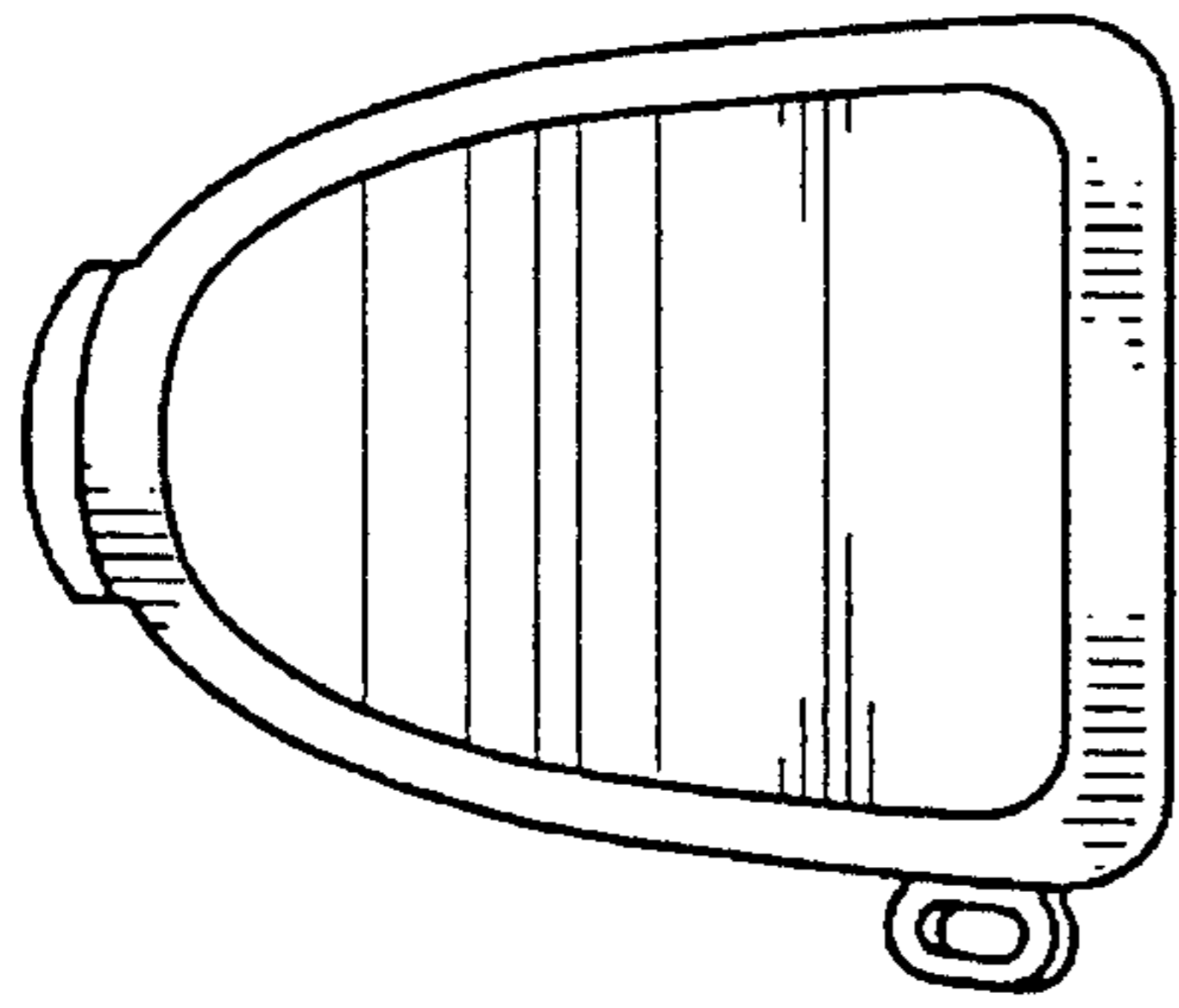


Fig. 2

Fig. 3

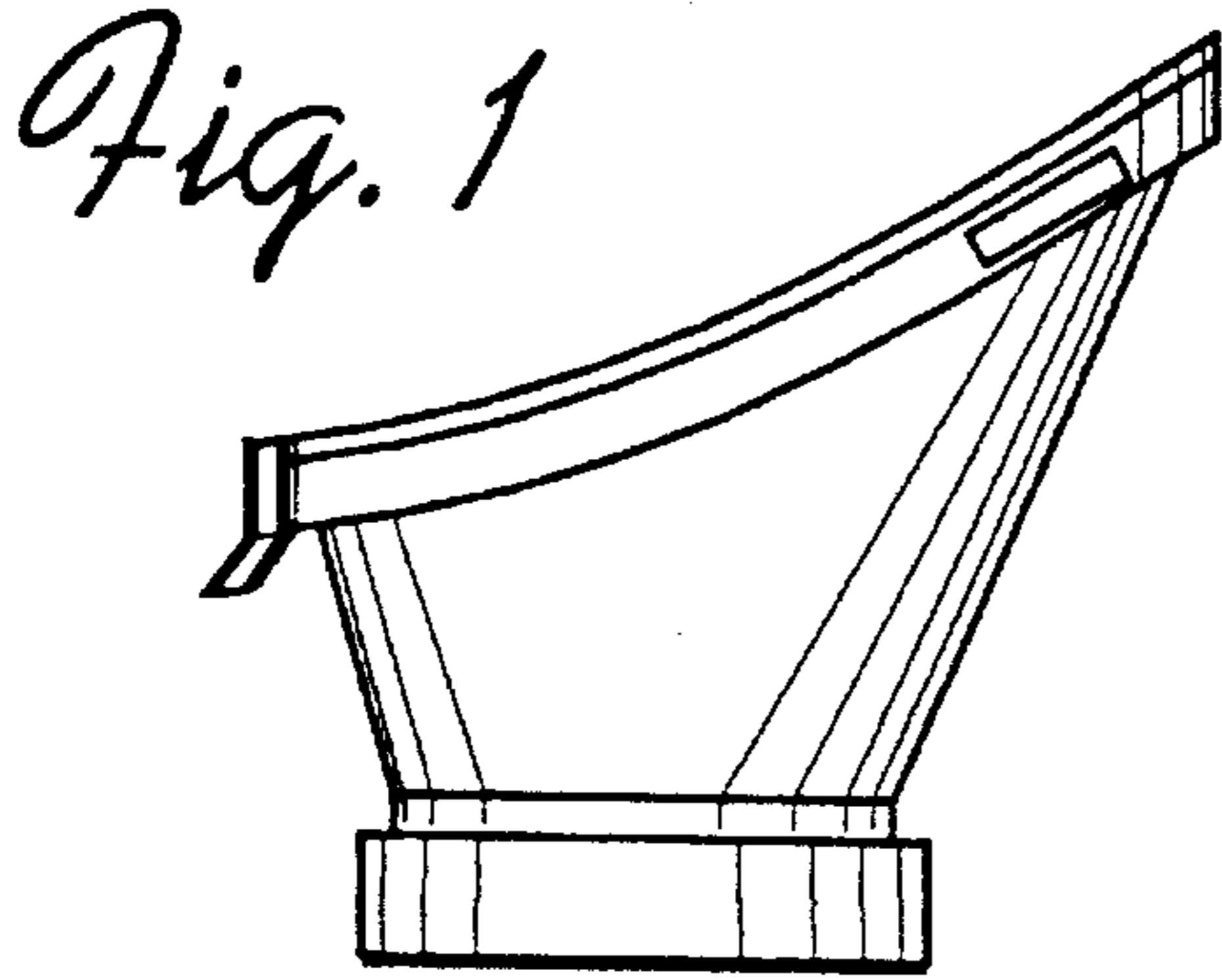


Fig. 1

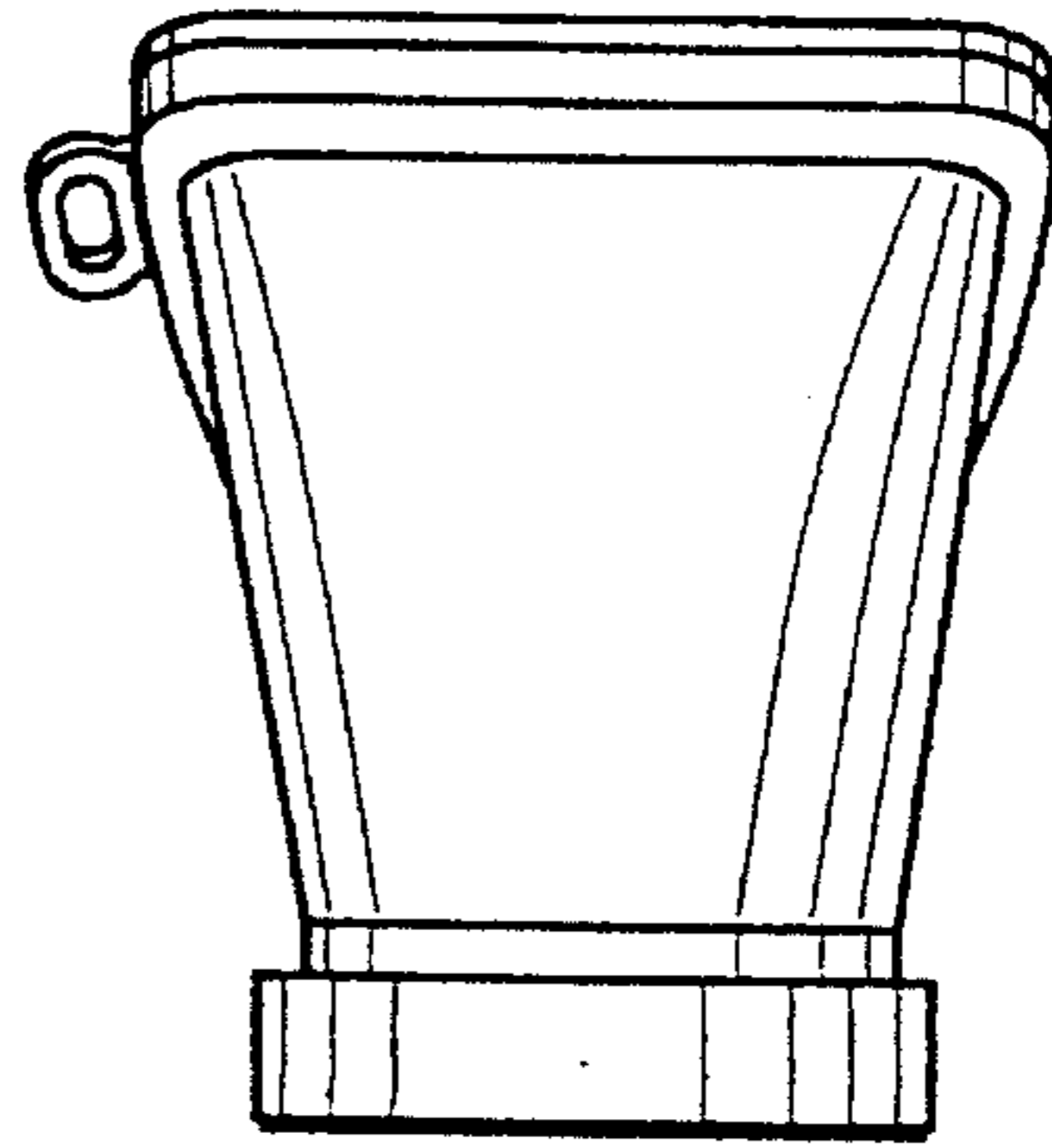


Fig. 4

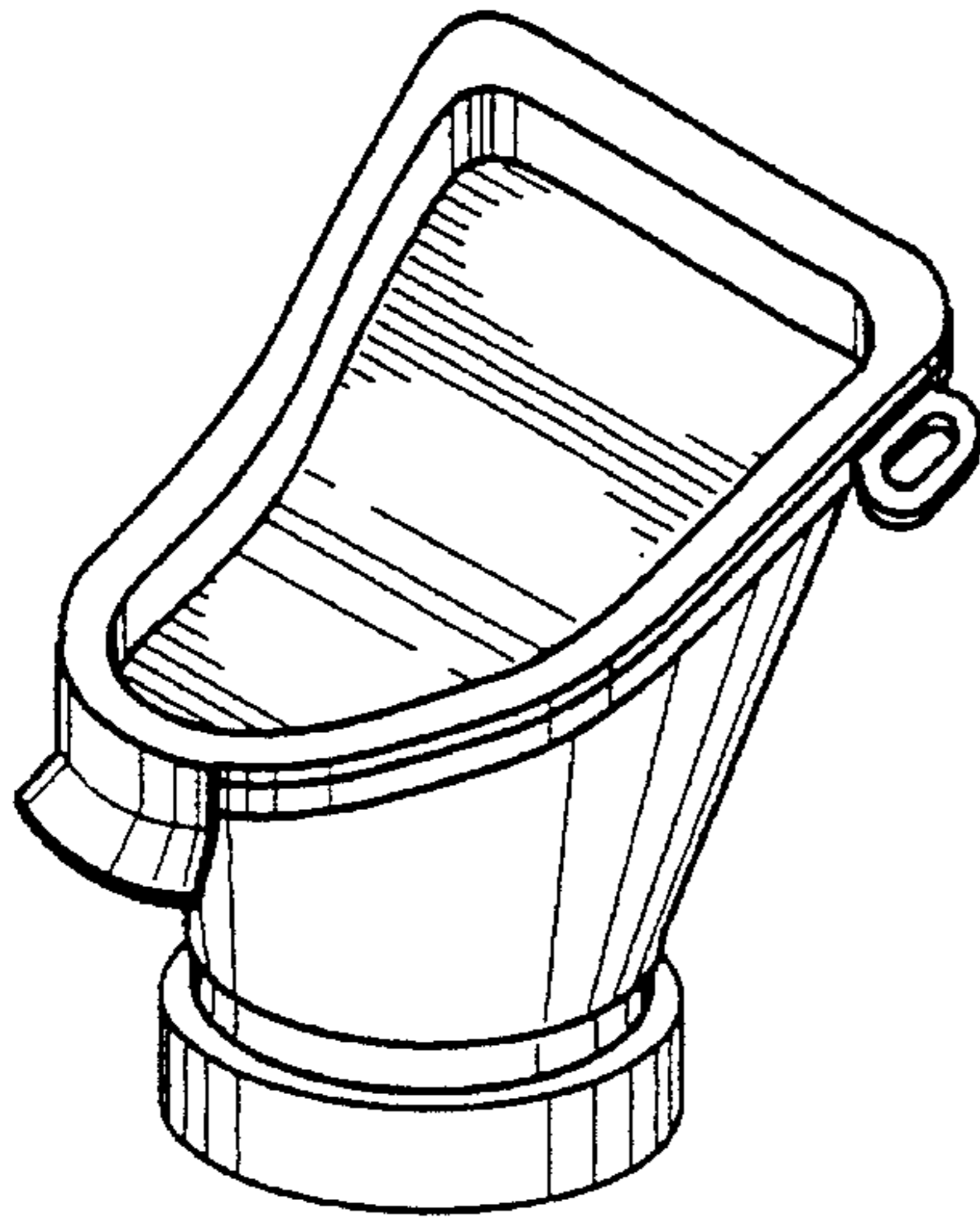
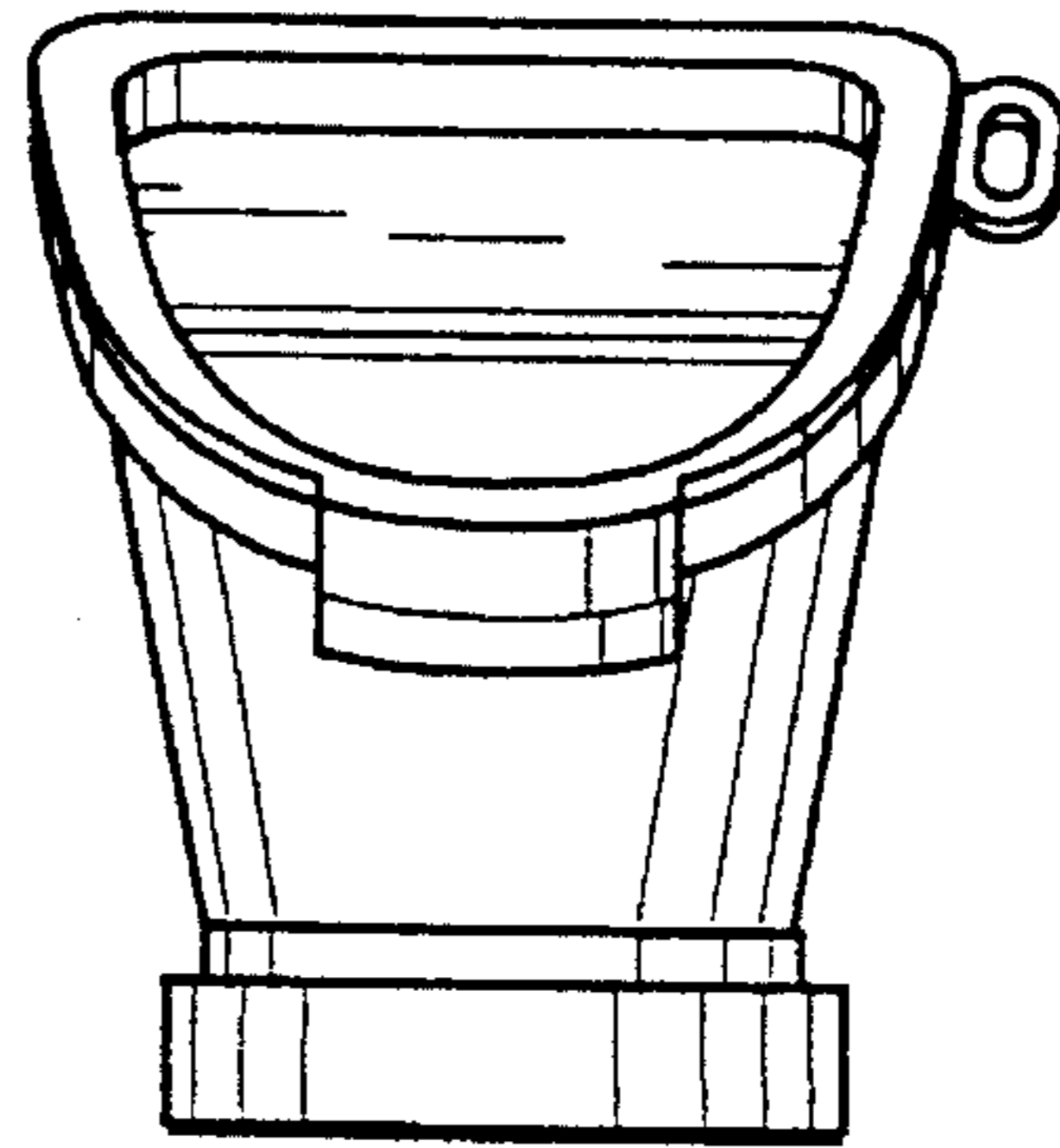


Fig. 6

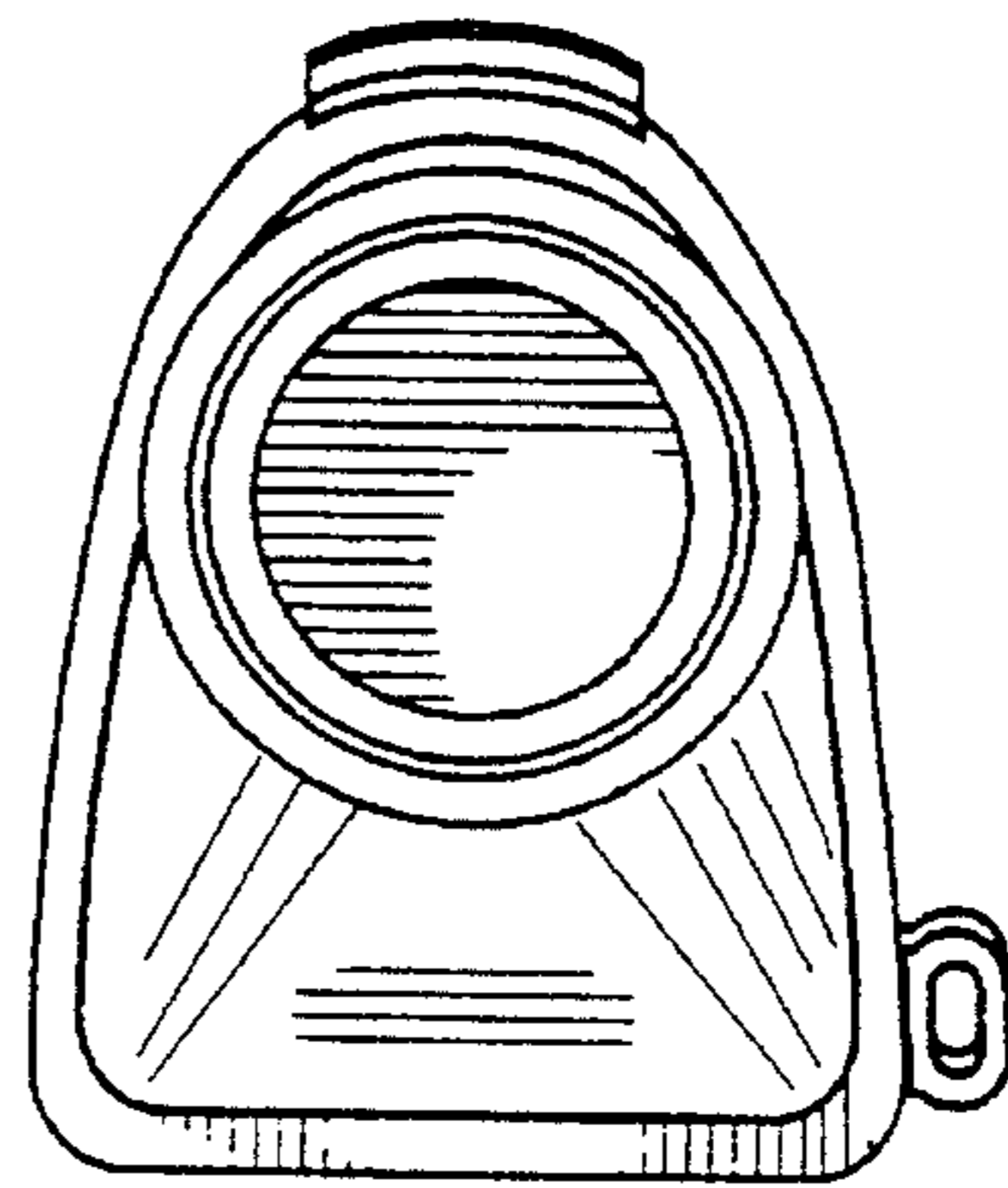


Fig. 5

