



US00D370973S

United States Patent [19]

Wu

[11] Patent Number: **Des. 370,973**

[45] Date of Patent: ****Jun. 18, 1996**

[54] **COMBINED CEILING FAN MOUNTING CANOPY, MOTOR AND SWITCH HOUSING AND BLADE IRONS UNIT**

D. 347,685	6/1994	Di Pasquale	D23/377
D. 349,336	8/1994	Tsuji	D23/377
425,449	4/1890	Nickum	416/5

[75] Inventor: **Yiu-Liang Wu**, Changhua, Taiwan

Primary Examiner—Lisa P. Lichtenstein
Attorney, Agent, or Firm—Browdy and Neimark

[73] Assignee: **Yeou Charng Industrial Co., Ltd.**, Changhua, Taiwan

[57] **CLAIM**

[**] Term: **14 Years**

The ornamental design for a combined ceiling fan mounting canopy, motor and switch housing and blade irons unit, as shown.

[21] Appl. No.: **36,073**

DESCRIPTION

[22] Filed: **Mar. 13, 1995**

[52] U.S. Cl. **D23/411; D23/377; D23/379; D23/385**

FIG. 1 is a perspective view of combined ceiling fan mounting canopy, motor and switch housing and blade irons unit showing my new design;

[58] **Field of Search** D23/377, 379, D23/385, 411; 416/5; D26/81-86, 88, 59, 72, 57; 392/364; 362/96

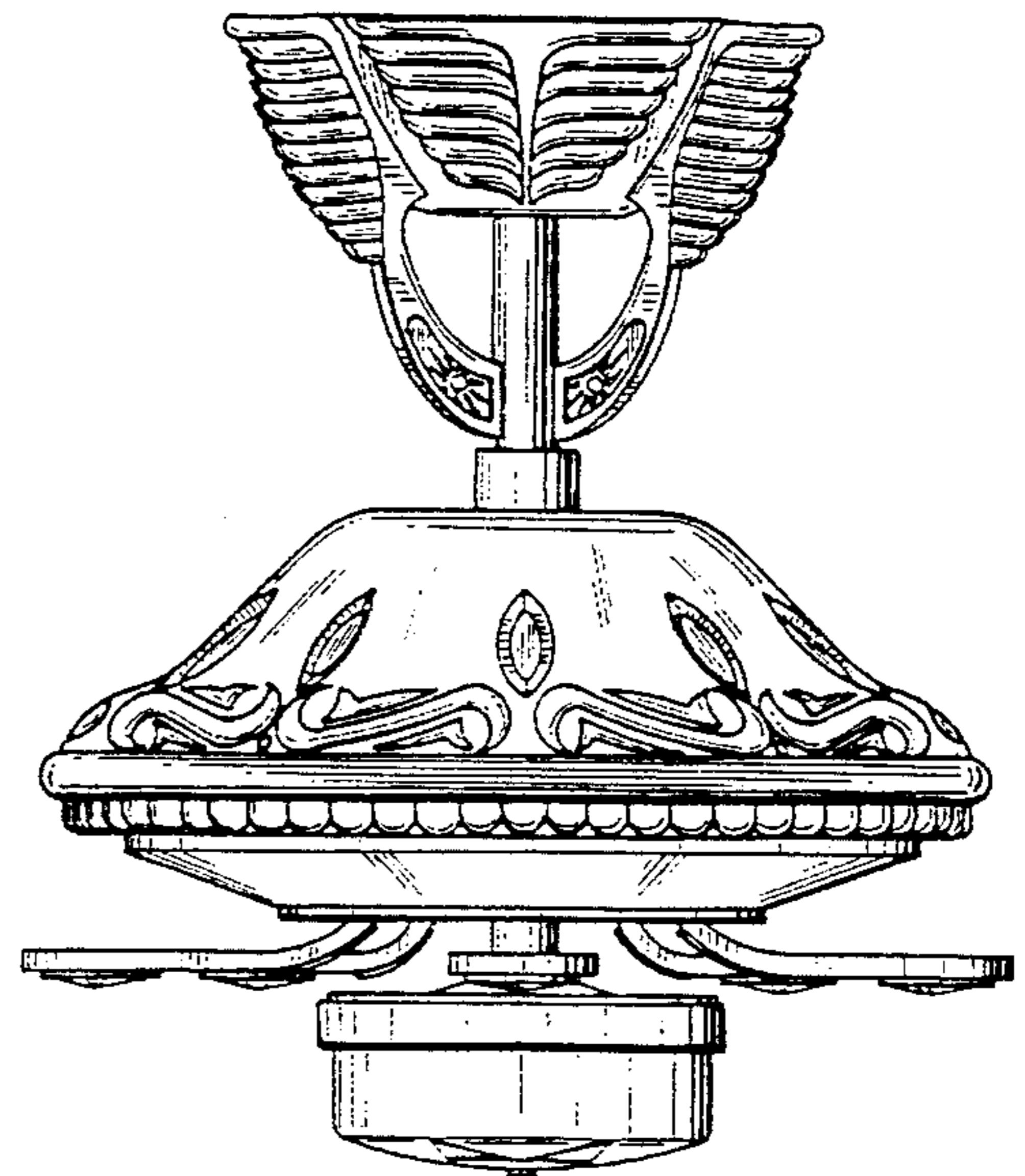
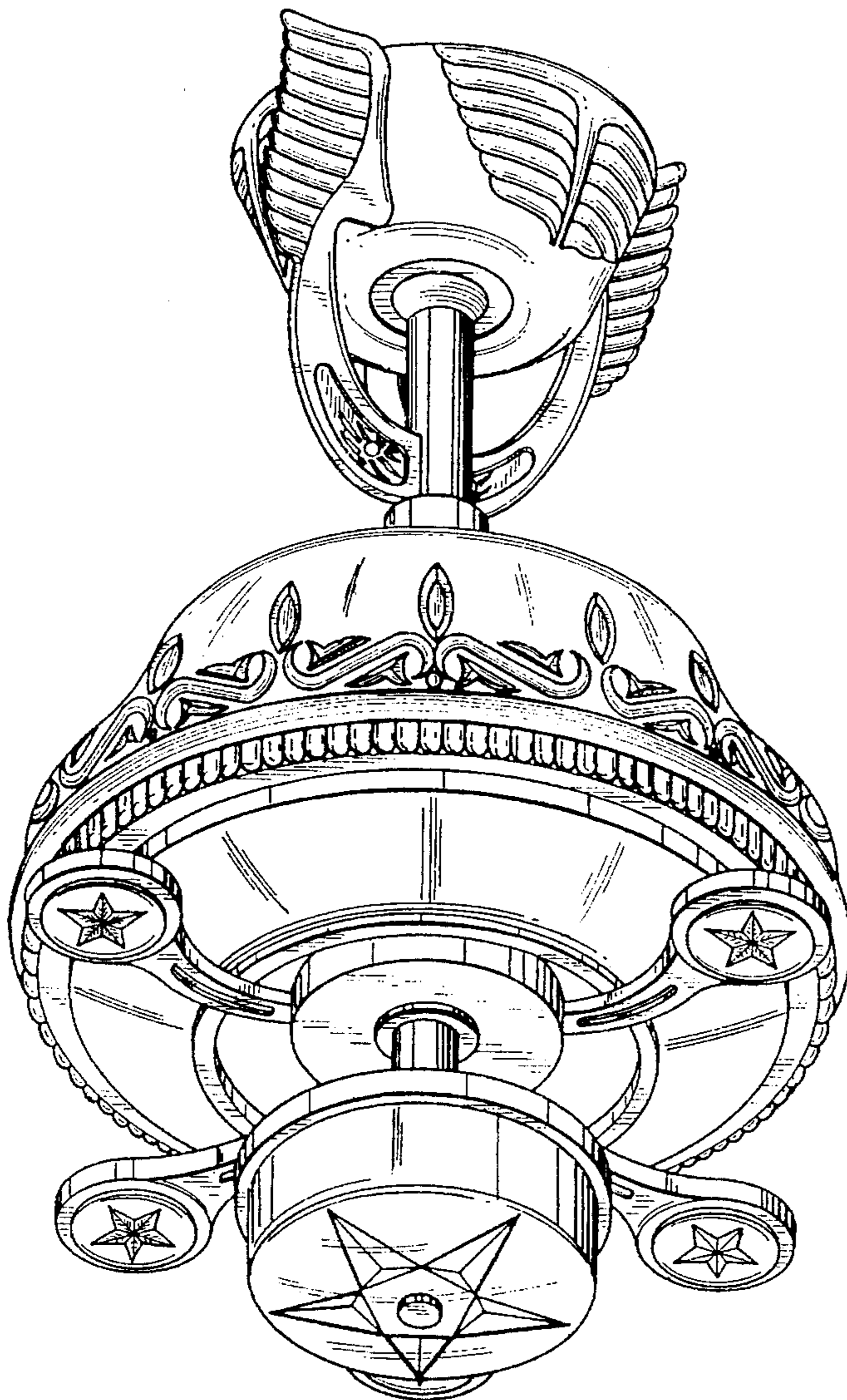
FIG. 2 is a front view thereof;
FIG. 3 is a back view thereof;
FIG. 4 is a left and right side view thereof;
FIG. 5 is a top side view thereof;
FIG. 6 is a bottom side view thereof.

[56] **References Cited**

U.S. PATENT DOCUMENTS

D. 81,837 8/1930 Machowicz D26/88

1 Claim, 4 Drawing Sheets



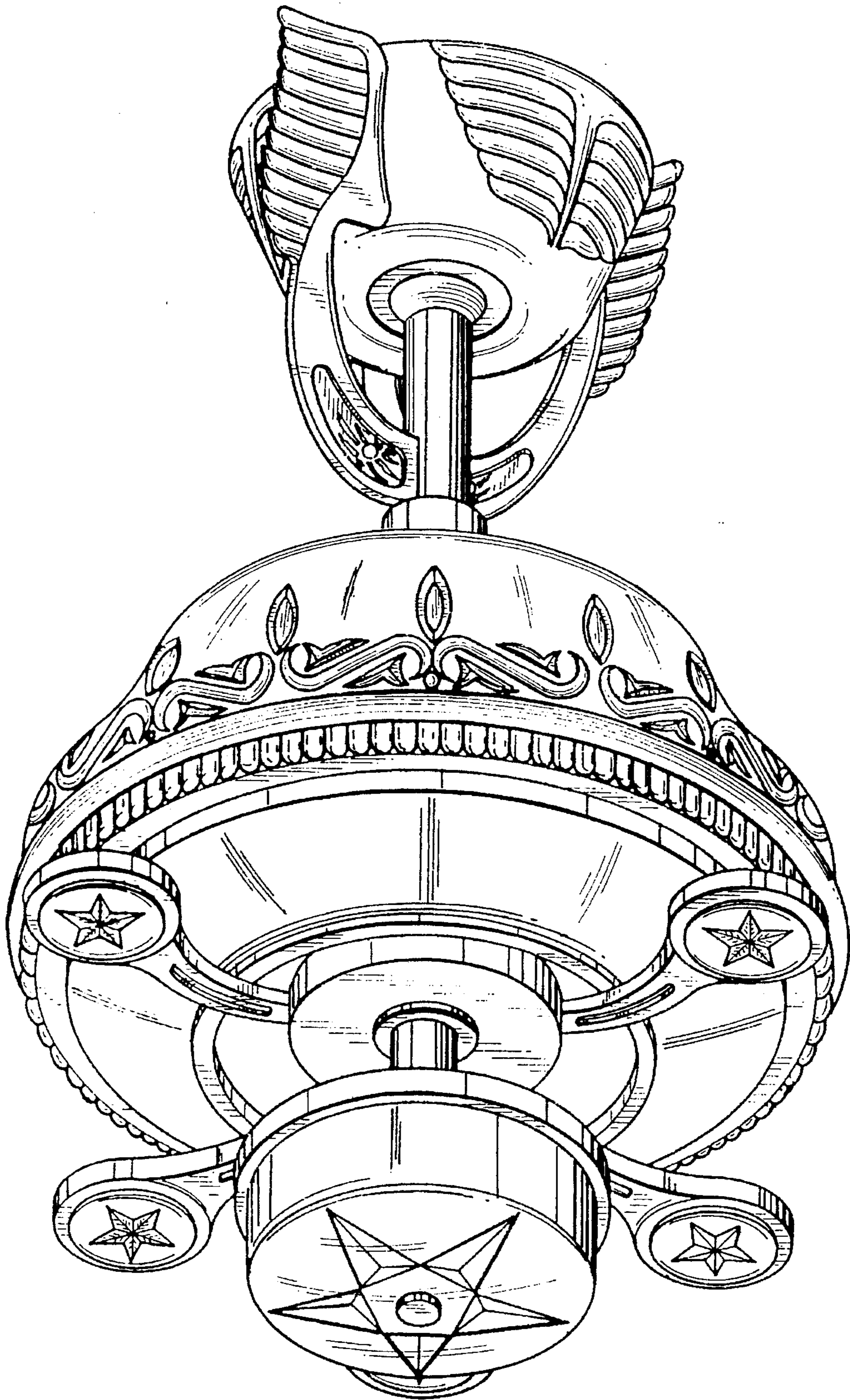


FIG. 1

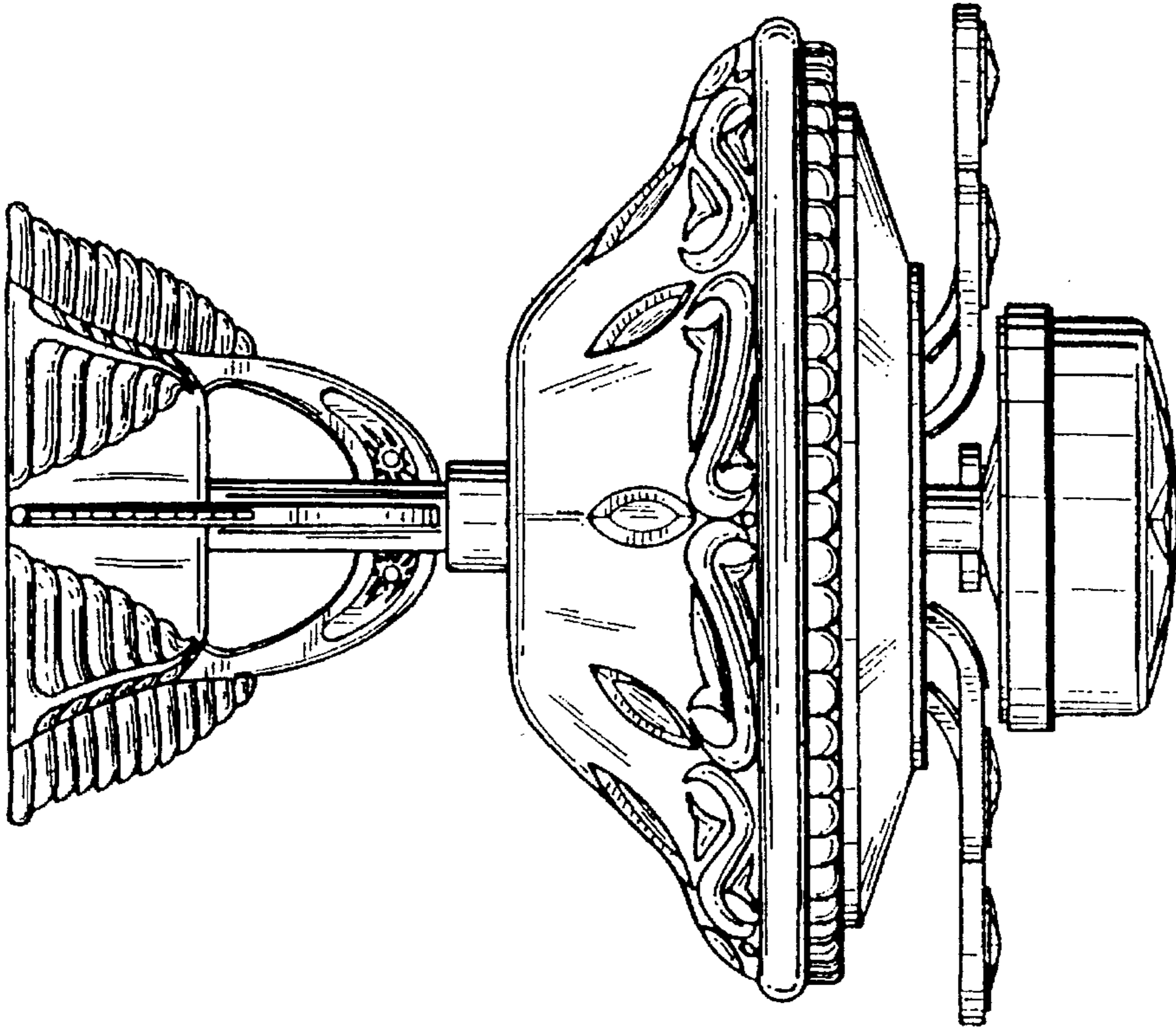


FIG. 3

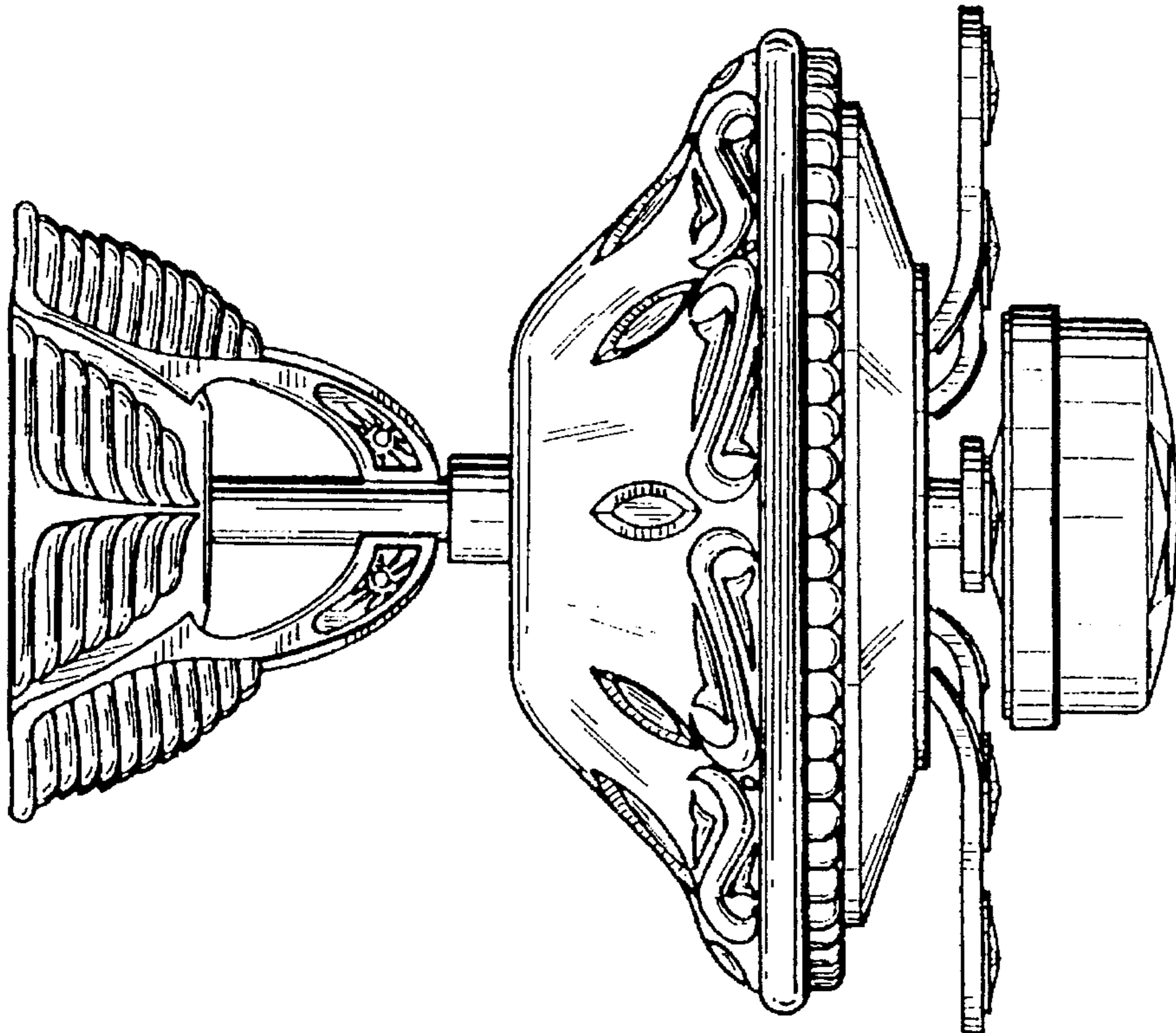


FIG. 2

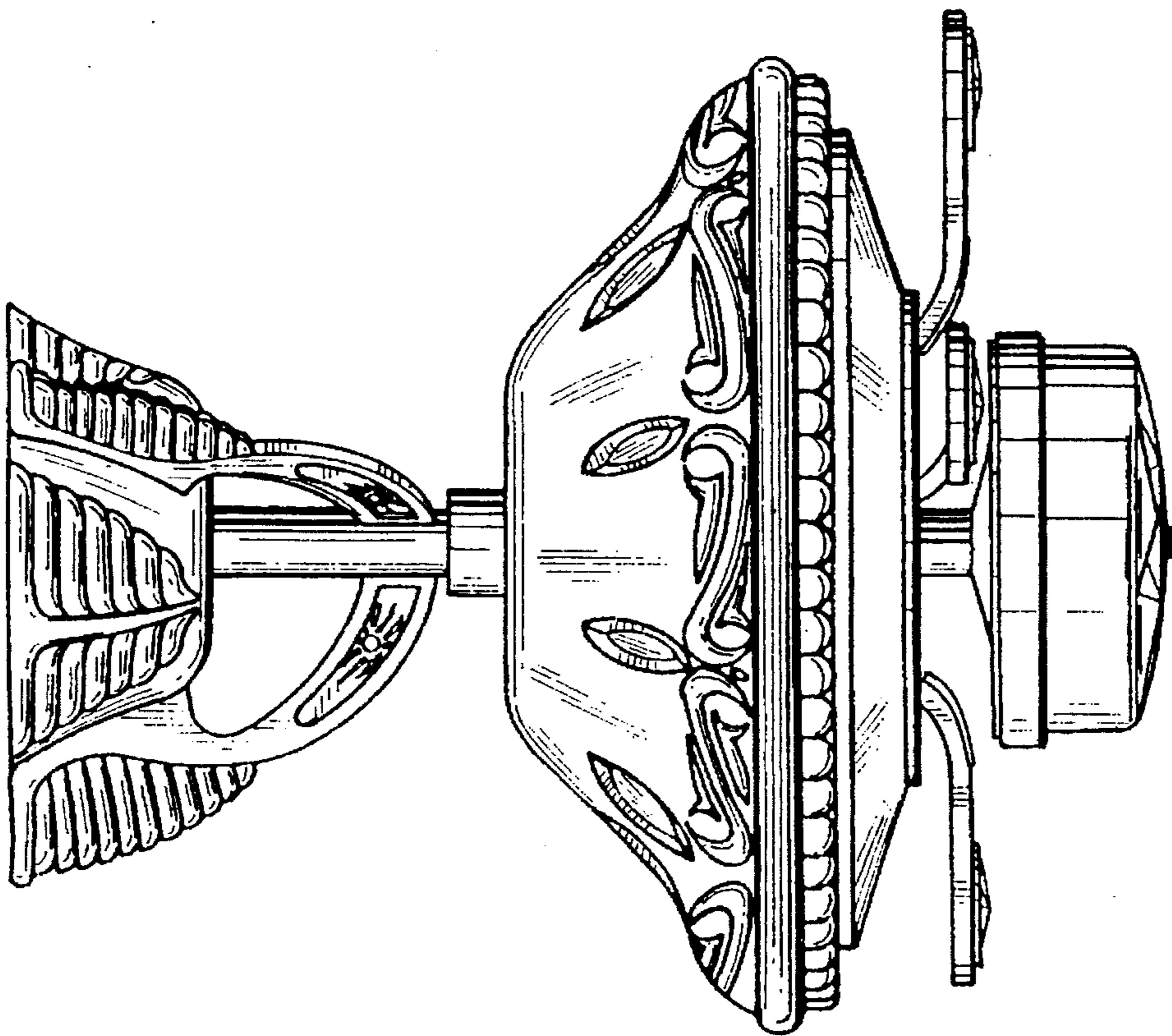


FIG. 4

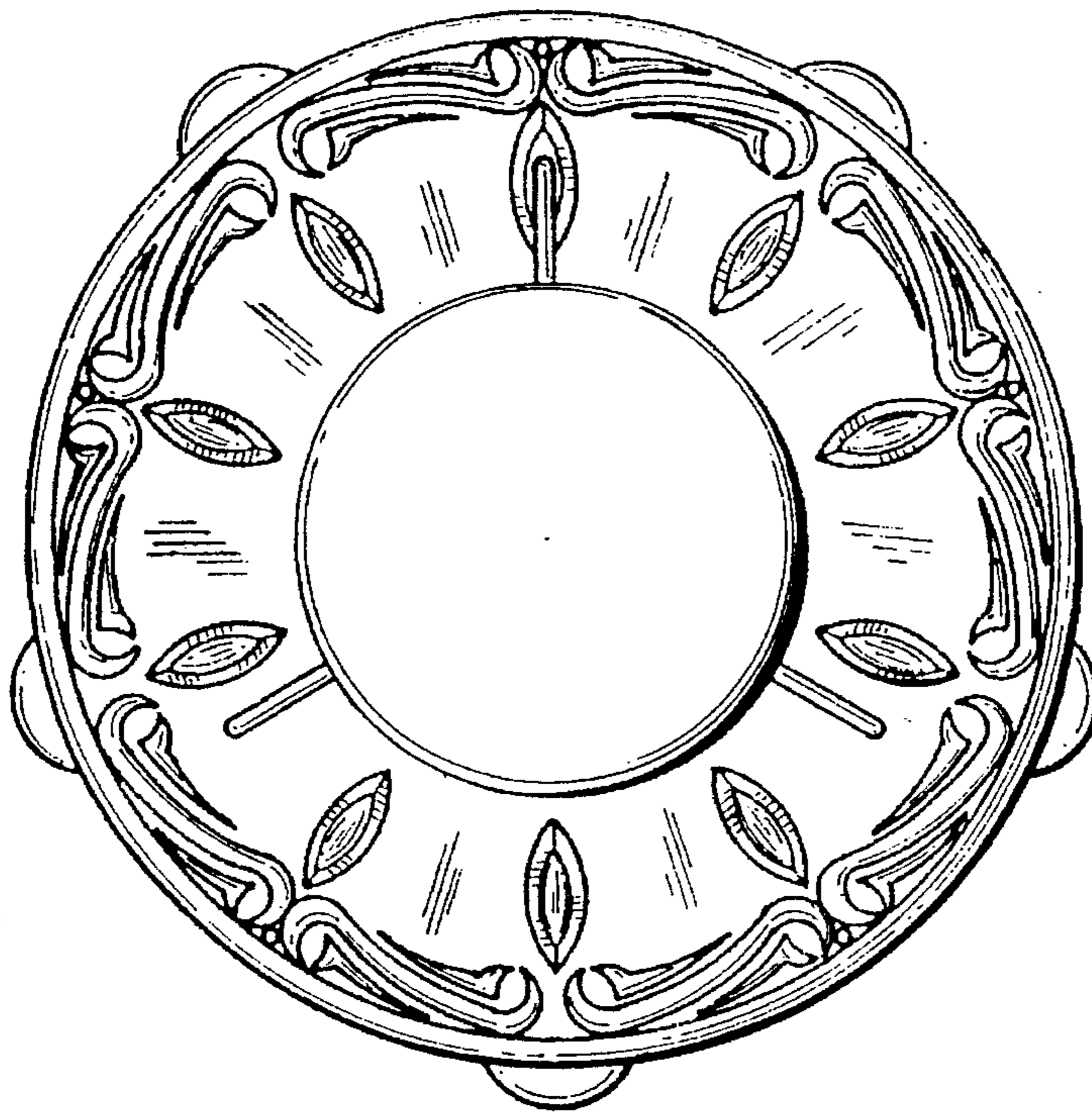


FIG. 5

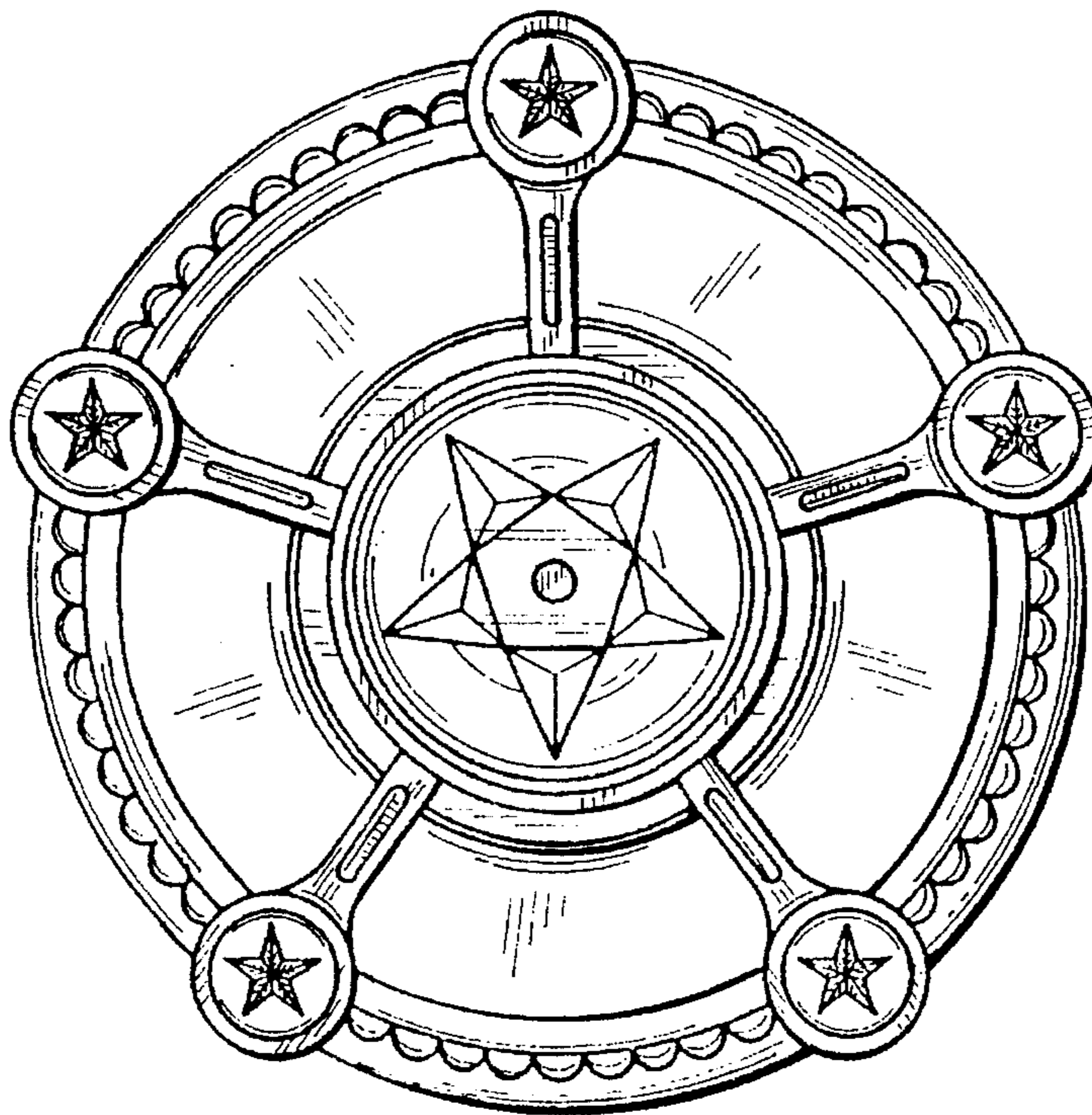


FIG. 6