



US00D370971S

United States Patent [19]

Wu

[11] Patent Number: **Des. 370,971**

[45] Date of Patent: ****Jun. 18, 1996**

[54] **COMBINED CEILING FAN MOUNTING CANOPY, MOTOR AND SWITCH HOUSING AND BLADE IRONS UNIT**

[75] Inventor: **Yiu-Liang Wu**, Changhua, Taiwan

[73] Assignee: **Yeou Charng Industrial Co., Ltd.**, Changhua, Taiwan

[**] Term: **14 Years**

[21] Appl. No.: **36,072**

[22] Filed: **Mar. 13, 1995**

[52] U.S. Cl. **D23/411; D23/377; D23/379; D23/385**

[58] Field of Search **D23/377, 379, D23/385, 411; D26/81-86, 88, 59, 72, 57; 392/364; 362/96; 416/5**

[56] **References Cited**

U.S. PATENT DOCUMENTS

- D. 347,685 6/1994 DiPasquale D23/377
- D. 349,336 8/1994 Tsuji D23/377

OTHER PUBLICATIONS

Key Wester Collection Adv. Brochure, p. 1, ceiling fan (A), top right side of page.

Primary Examiner—Lisa P. Lichtenstein
Attorney, Agent, or Firm—Browdy and Neimark

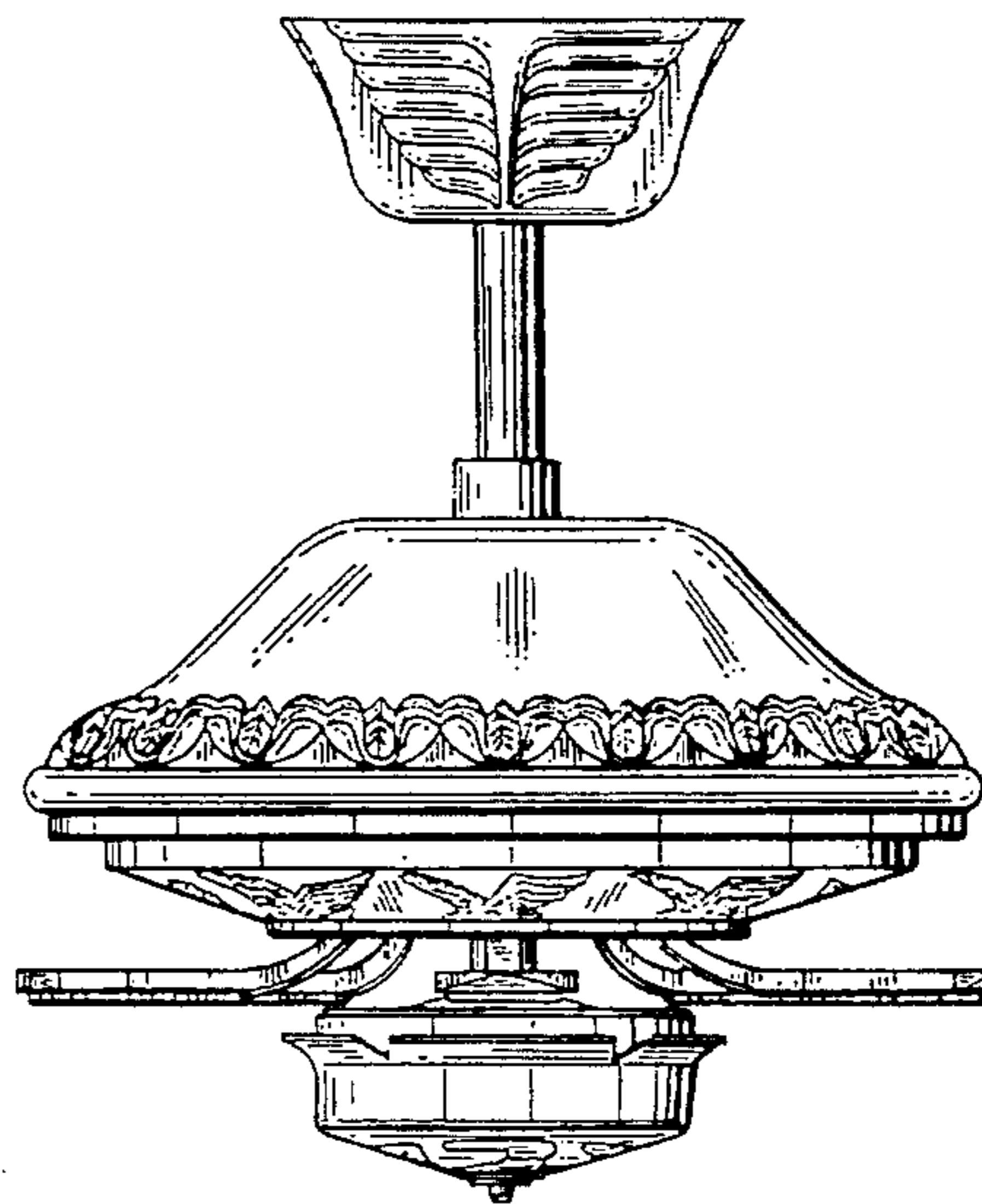
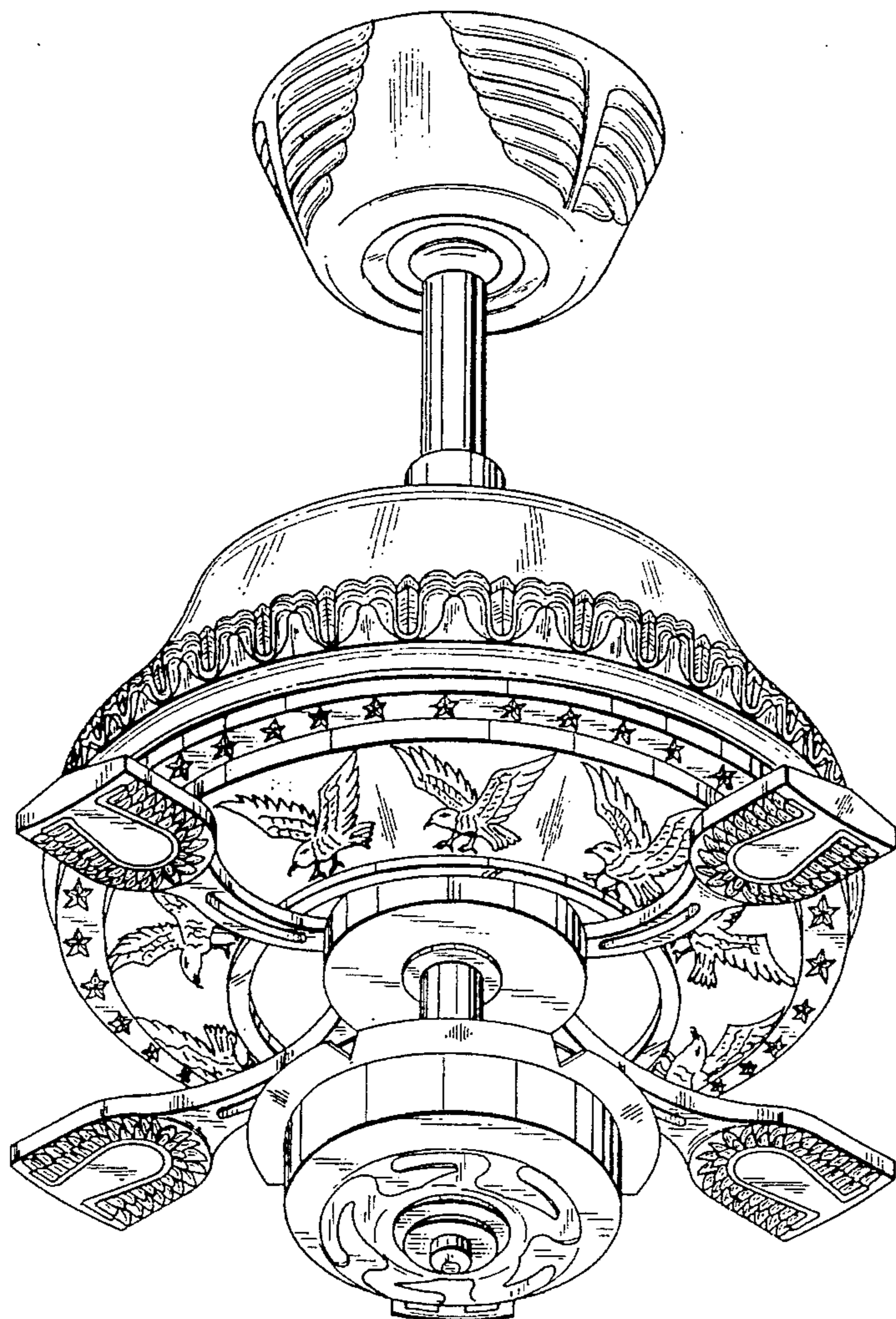
[57] **CLAIM**

The ornamental design for a combined ceiling fan mounting canopy, motor and switch housing and blade irons unit, as shown.

DESCRIPTION

FIG. 1 is a perspective view of combined ceiling fan mounting canopy, motor and switch housing and blade irons unit showing my new design; FIG. 2 is a front view thereof; FIG. 3 is a back view thereof; FIG. 4 is a right side view thereof; FIG. 5 is a left side view thereof; FIG. 6 is a top side view thereof; and, FIG. 7 is a bottom side view thereof.

1 Claim, 4 Drawing Sheets



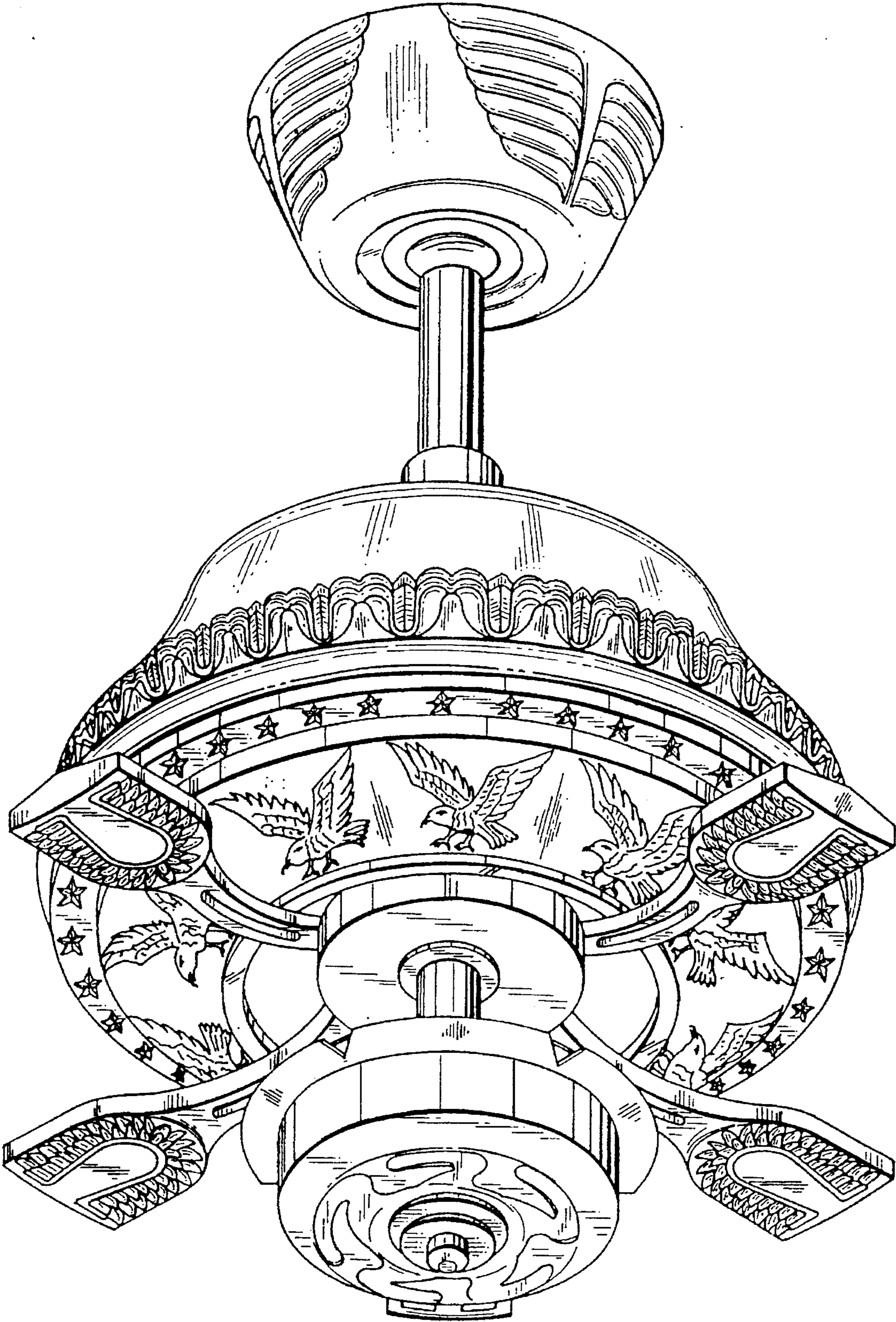


FIG. 1

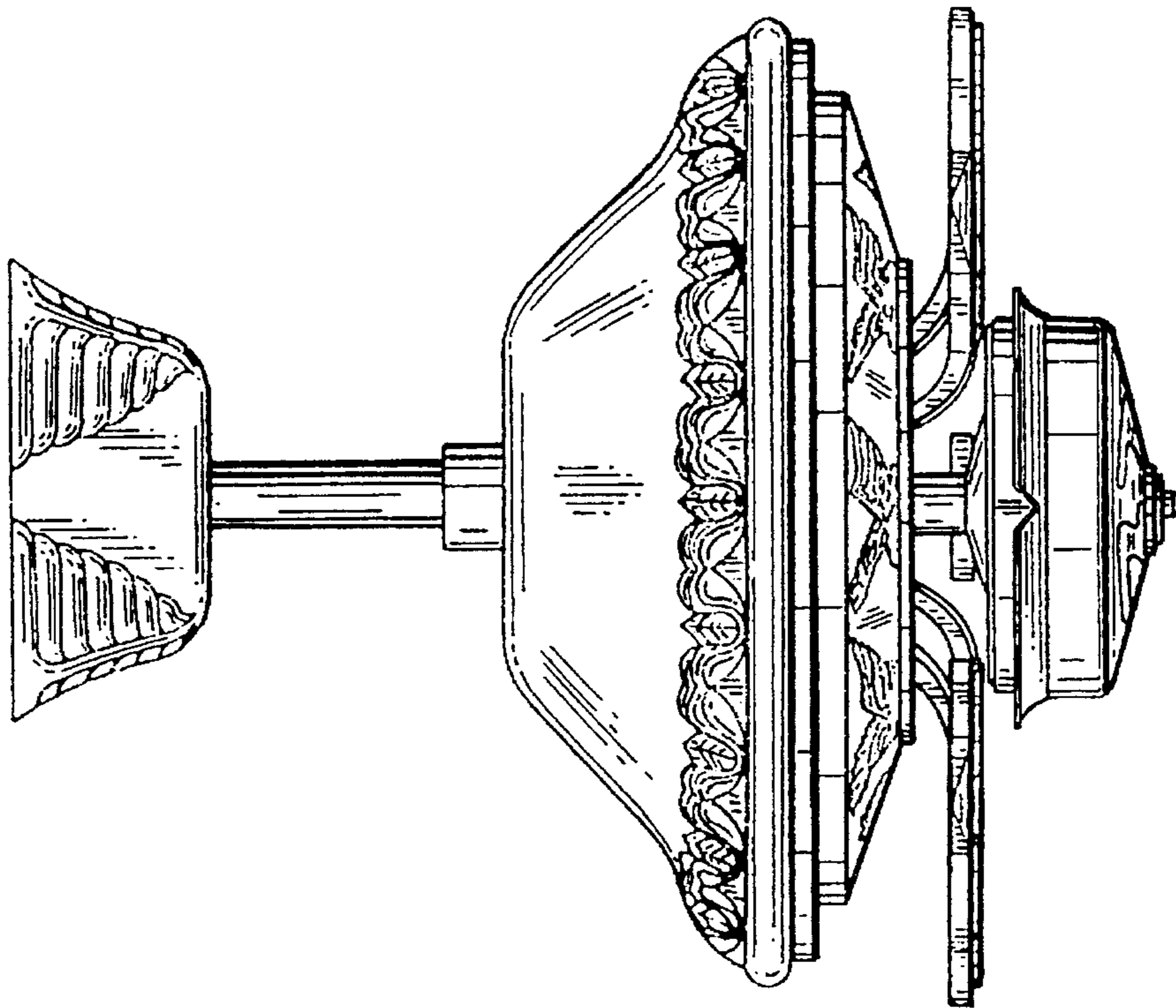


FIG. 3

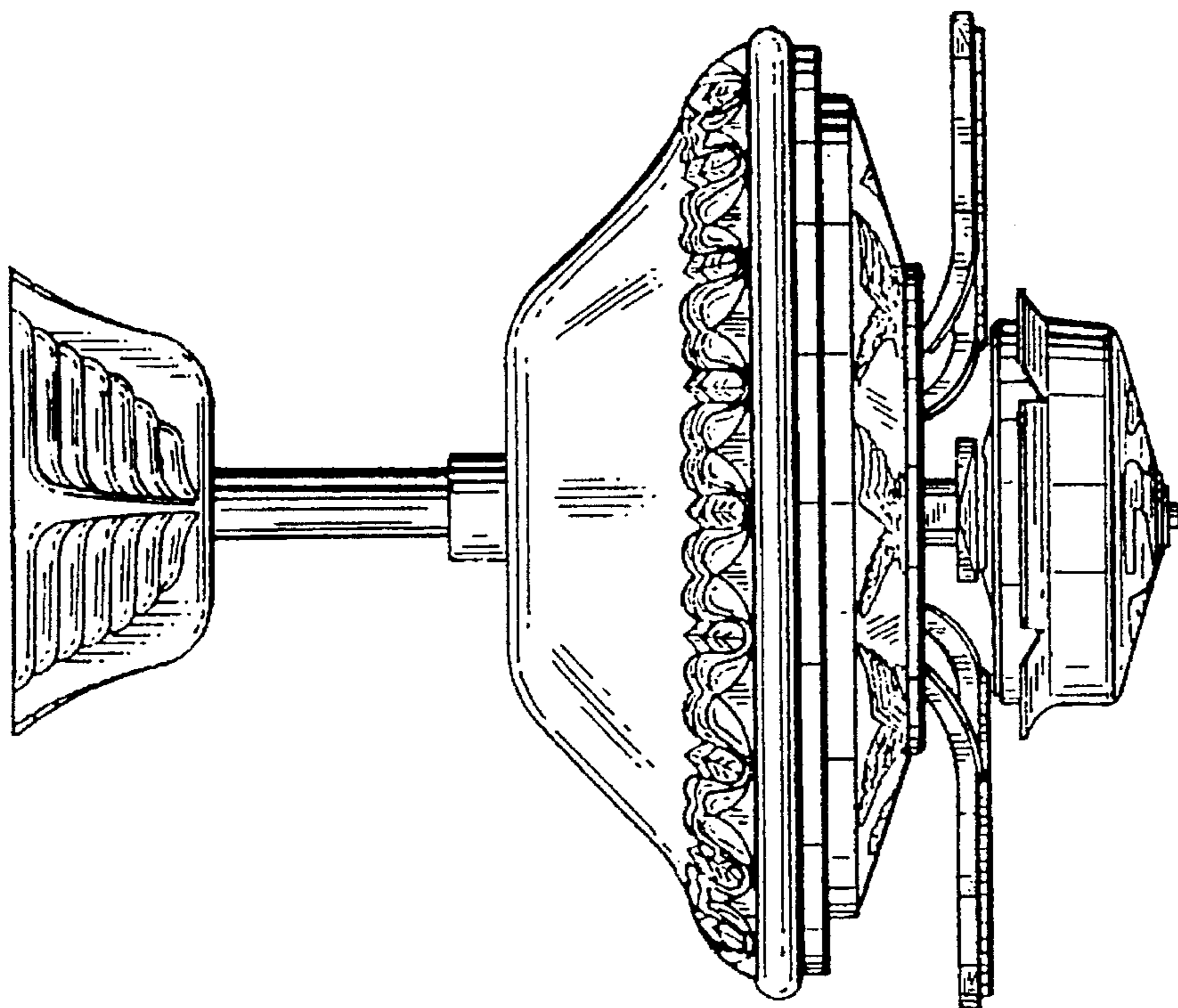


FIG. 2

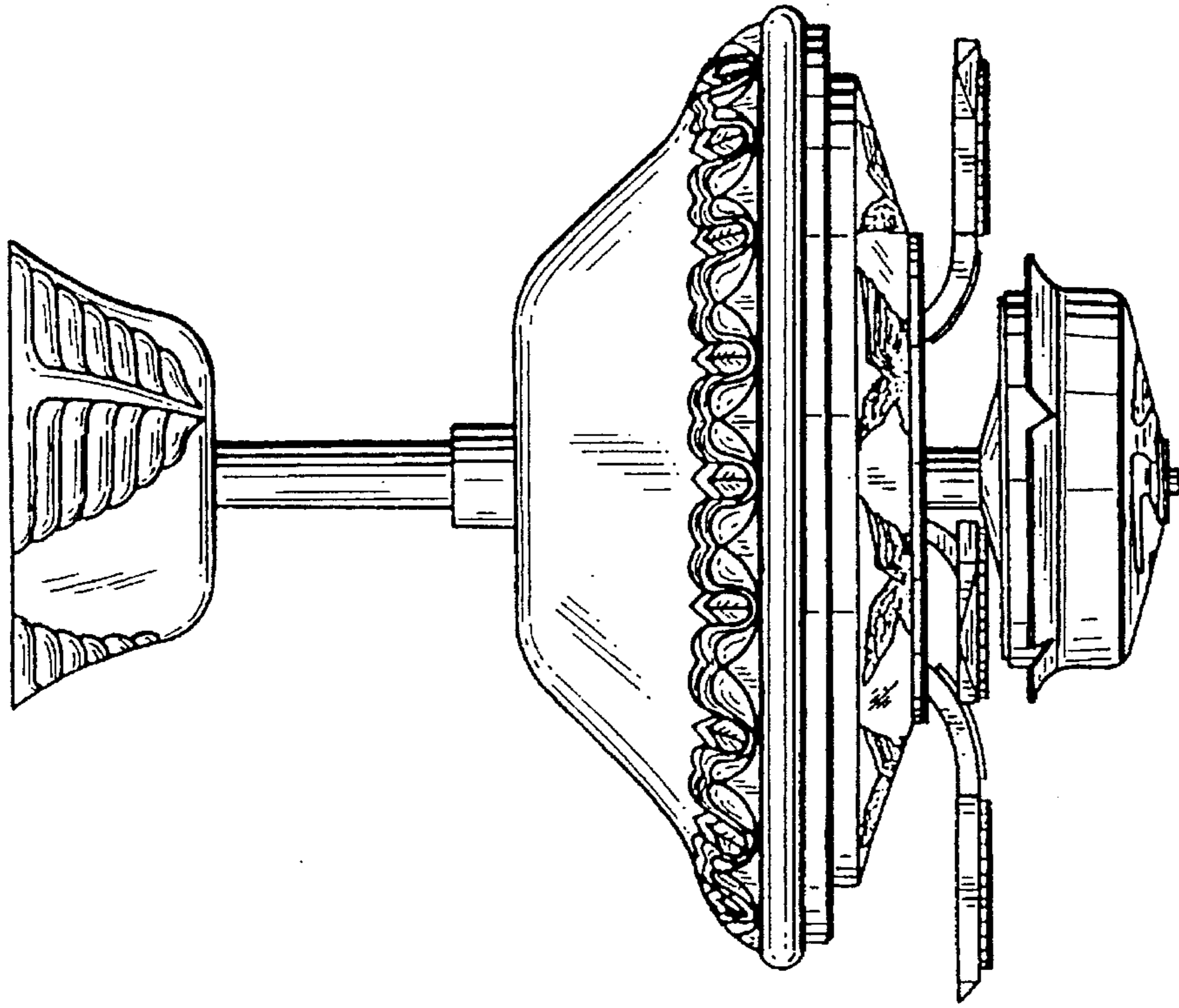


FIG. 5

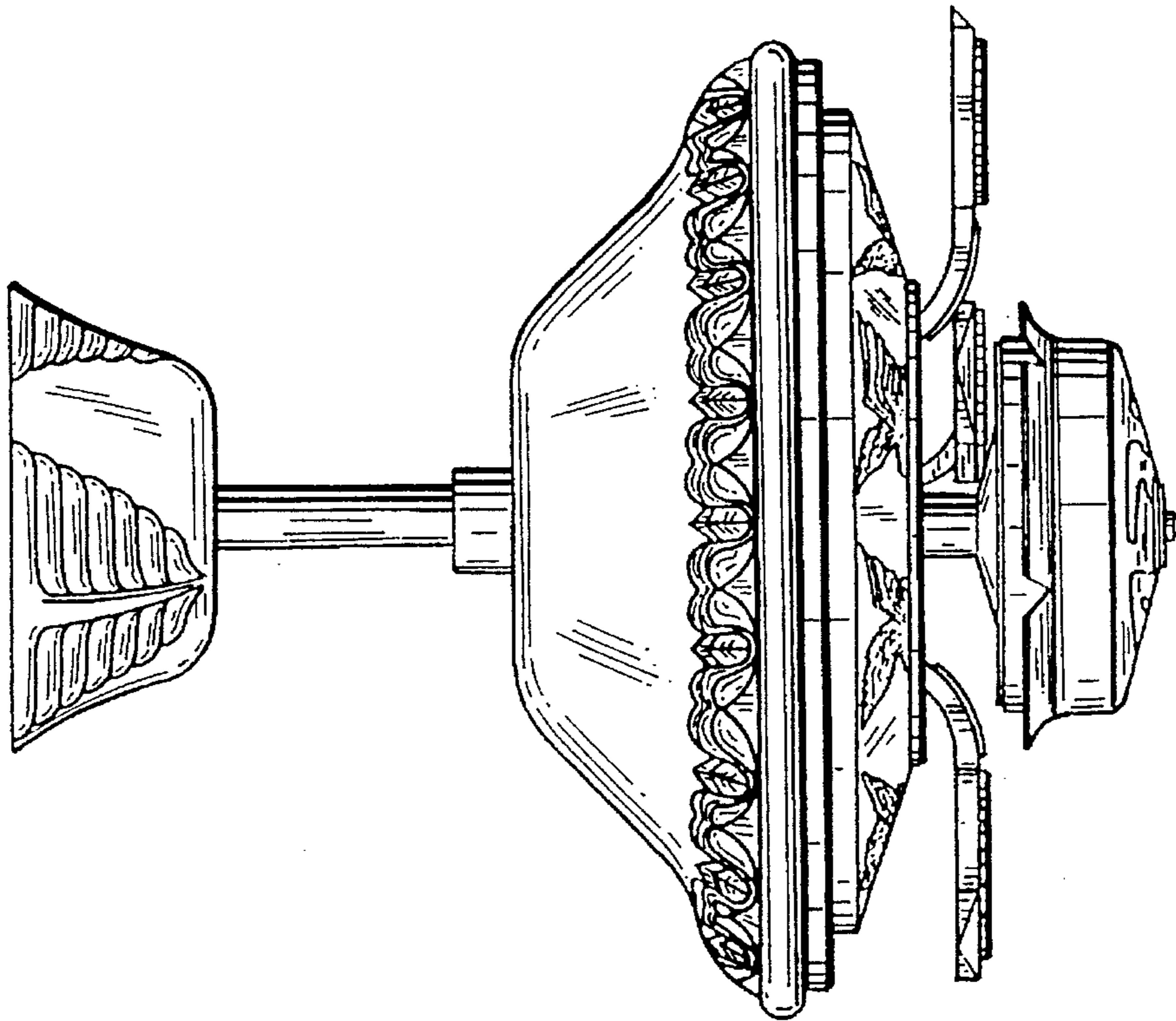


FIG. 4

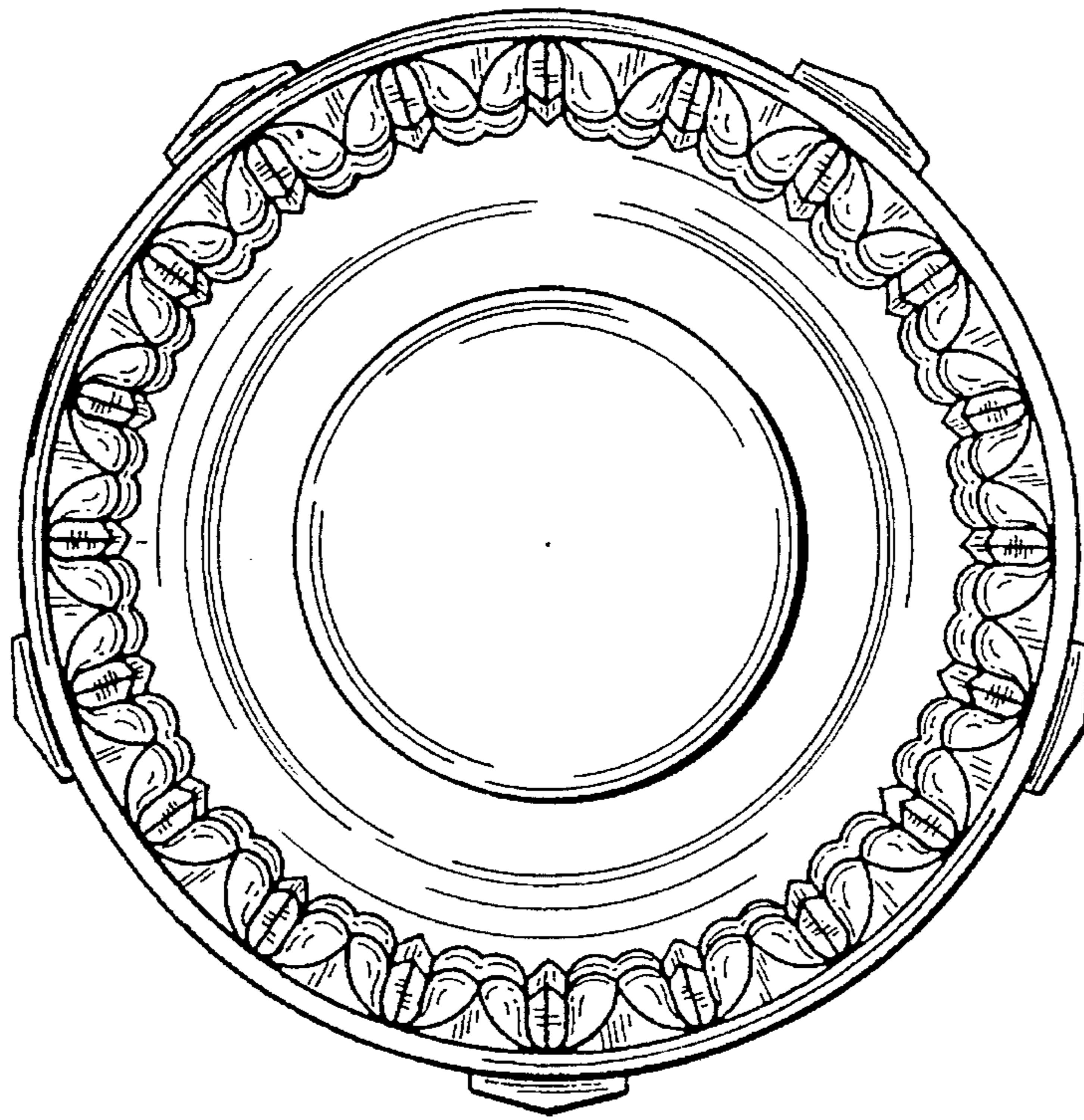


FIG. 6



FIG. 7