



US00D370970S

United States Patent [19] Crudele

[11] **Patent Number: Des. 370,970**
[45] **Date of Patent: ***Jun. 18, 1996**

[54] **ARCHERY BOW RELEASE GRIP**

5,009,214 4/1991 Wilde 124/35.2

[76] Inventor: **Lonnie Crudele**, R.D. 1 Longhill Rd.,
Highland Mills, N.Y. 10939

[**] Term: **14 Years**

[*] Notice: The portion of the term of this patent
subsequent to May 28, 2010, has been
disclaimed.

[21] Appl. No.: **20,268**

[22] Filed: **Mar. 23, 1994**

[52] U.S. Cl. **D22/107; D22/107**

[58] Field of Search **D22/107; 124/35.2,**
124/86, 88, 91; 482/124, 127

[56] **References Cited**

U.S. PATENT DOCUMENTS

| | | | |
|------------|---------|-------------------------|------------|
| D. 255,824 | 7/1980 | MacWilliams et al. | 124/35.2 X |
| 3,757,763 | 9/1973 | Pinti et al. | D22/107 X |
| 4,004,564 | 1/1977 | Castonguay | 124/35.2 |
| 4,105,011 | 8/1978 | Chism | 124/35.2 |
| 4,132,215 | 1/1979 | Burton | 124/35.2 |
| 4,672,945 | 6/1987 | Carlton | 124/88 X |
| 4,969,448 | 11/1990 | Beyer | 124/35.2 |

OTHER PUBLICATIONS

Archery, Dec. 1974, p. 45, "Super Eliminator" Release Aid,
bottom center of page.

Primary Examiner—Louis S. Zarfes
Assistant Examiner—Monica A. Hannon
Attorney, Agent, or Firm—Martin J. Spellman, Jr.

[57] **CLAIM**

The ornamental design for an archery bow release grip, as
shown.

DESCRIPTION

FIG. 1 is a top, right side, and front perspective view of an
archery bow release grip showing my new design;
FIG. 2 is a bottom, right side, and rear perspective view
thereof;
FIG. 3 is a right side elevational view thereof, the left side
view being a mirror image thereof;
FIG. 4 is a top plan view thereof;
FIG. 5 is a rear elevational view thereof;
FIG. 6 is a front elevational view thereof; and,
FIG. 7 is a bottom plan view thereof.

1 Claim, 3 Drawing Sheets

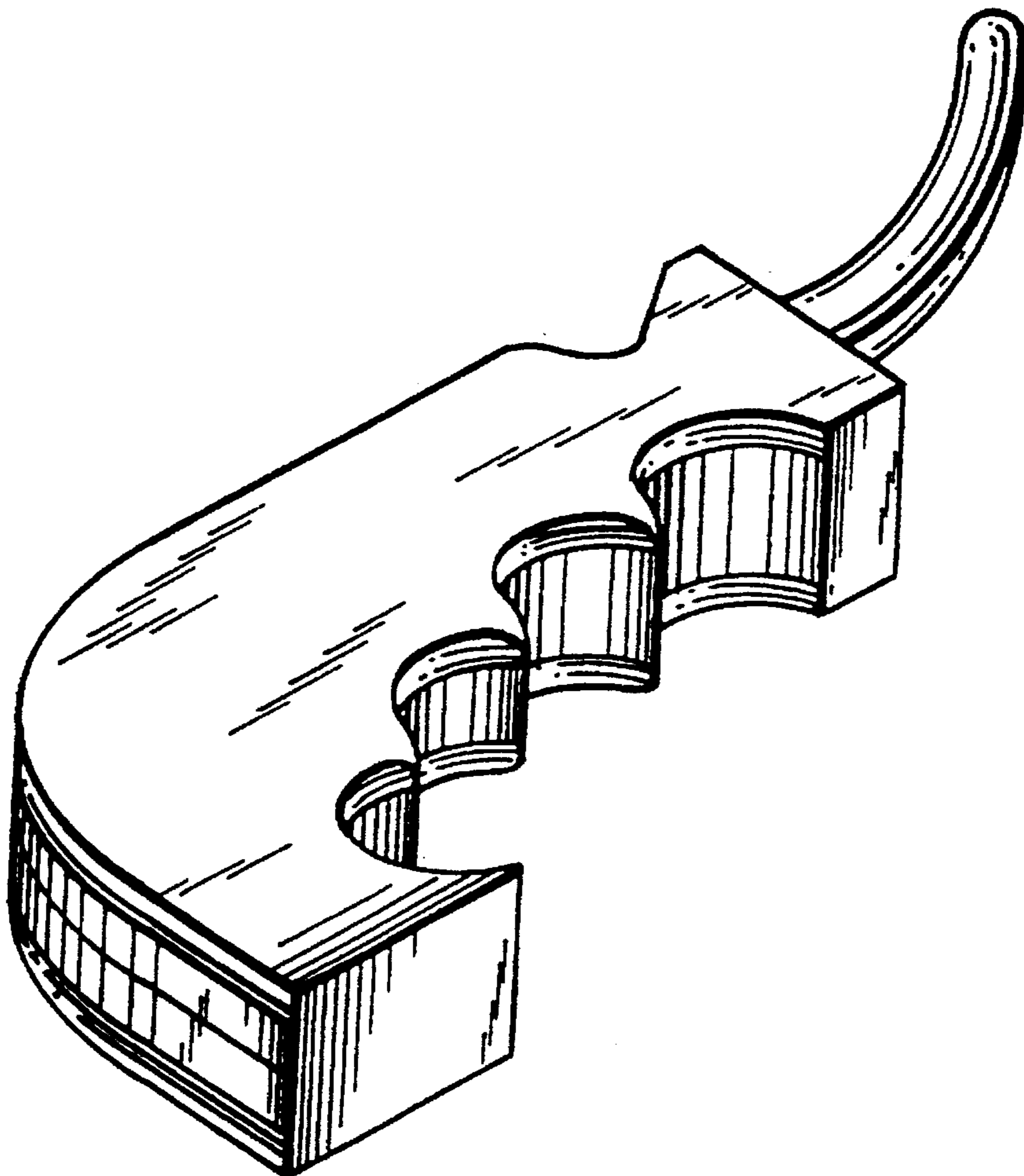


FIG.1

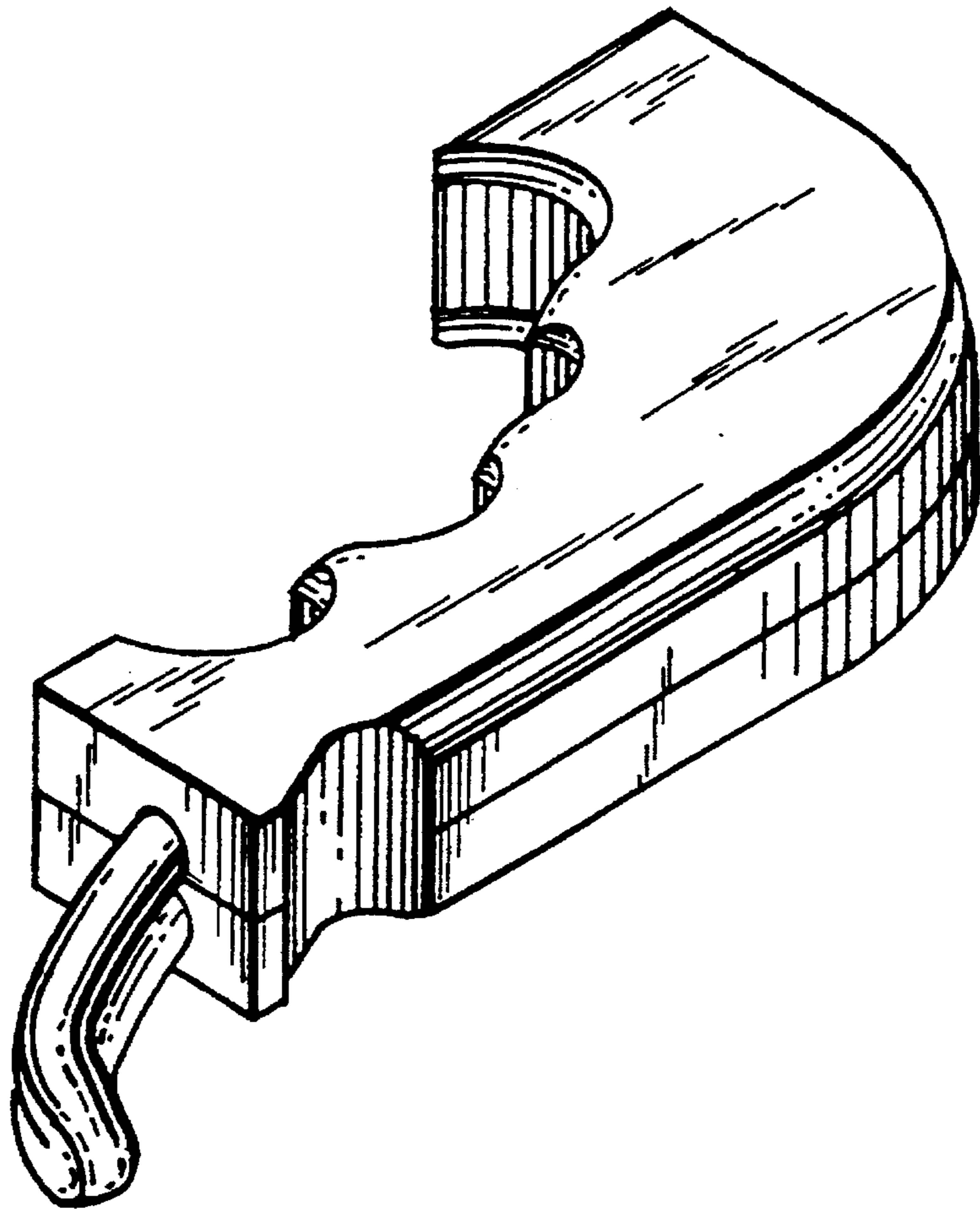
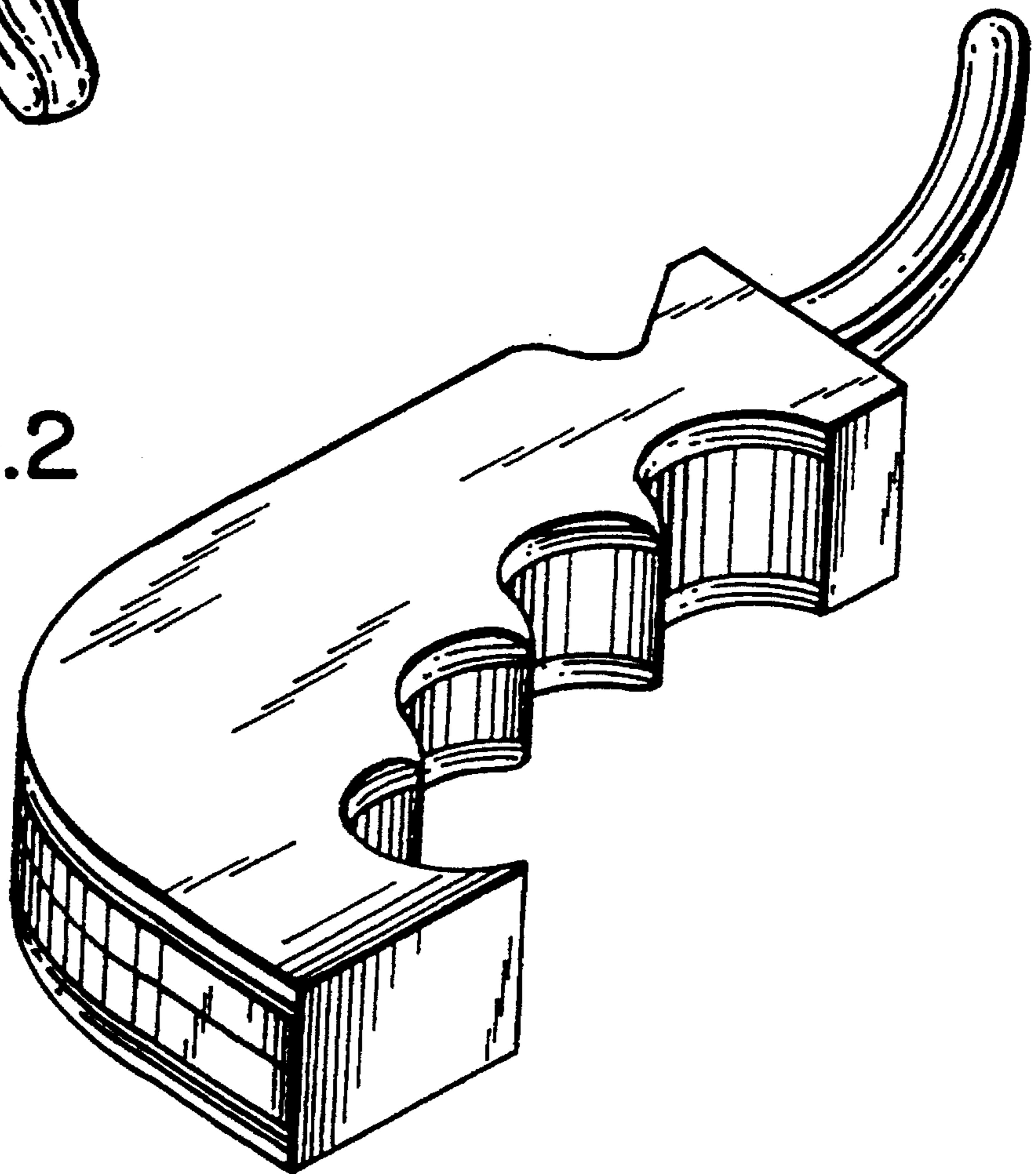


FIG.2



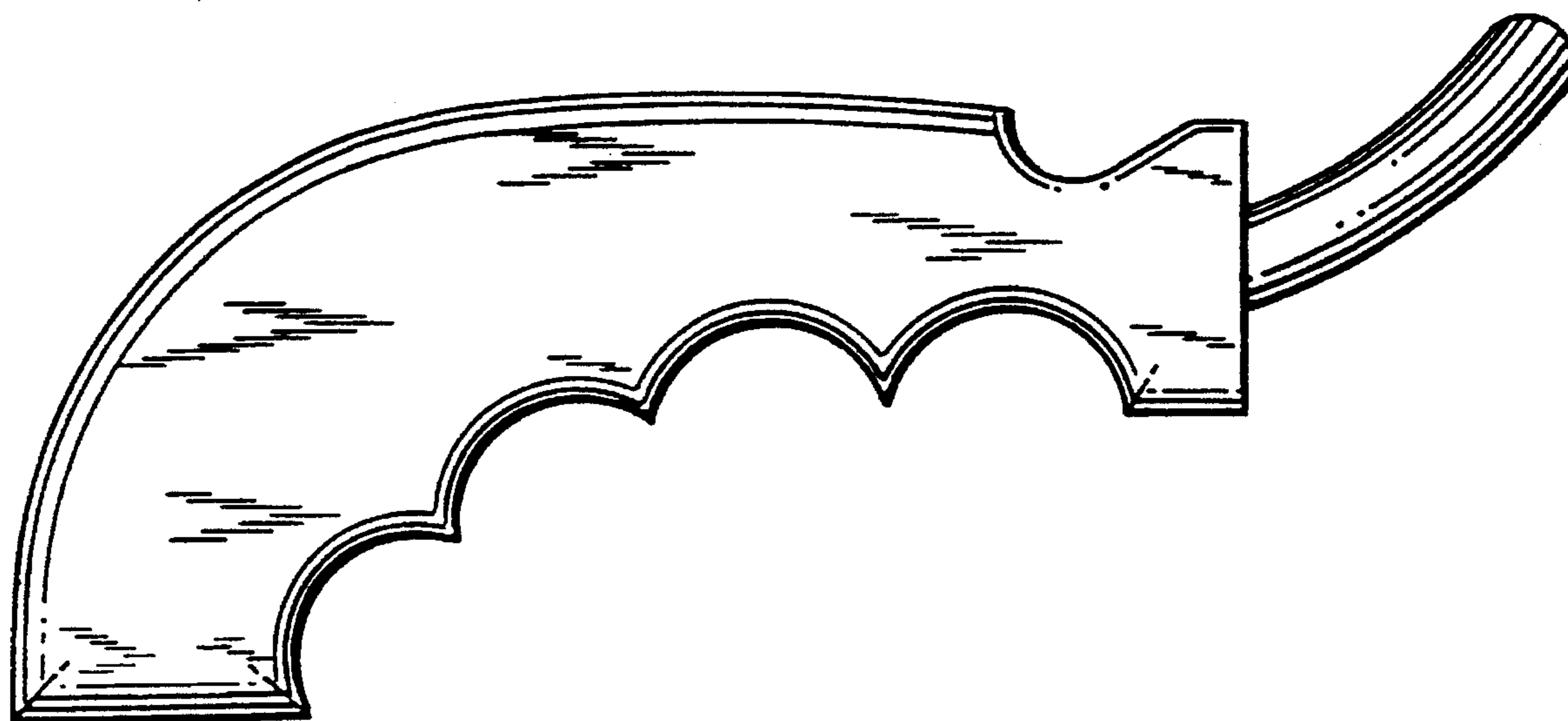


FIG. 3

FIG.4

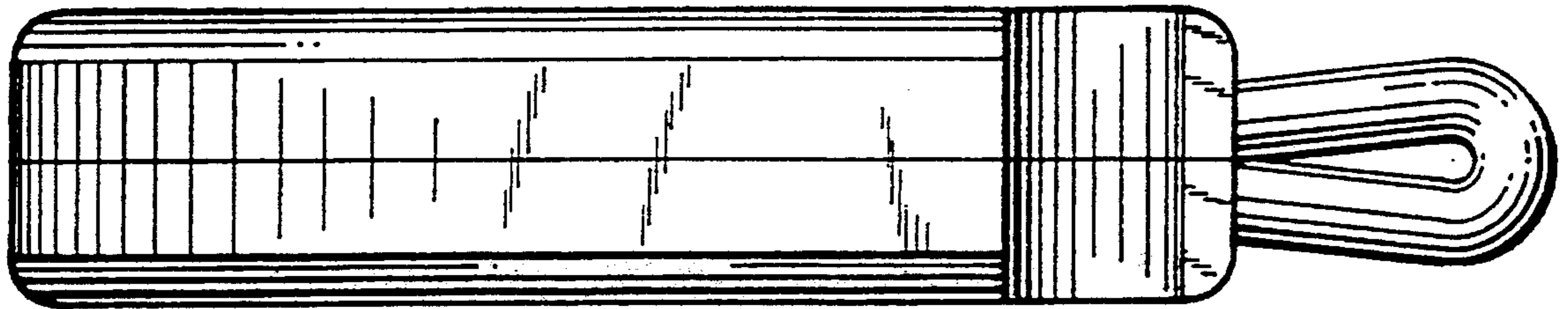


FIG.5

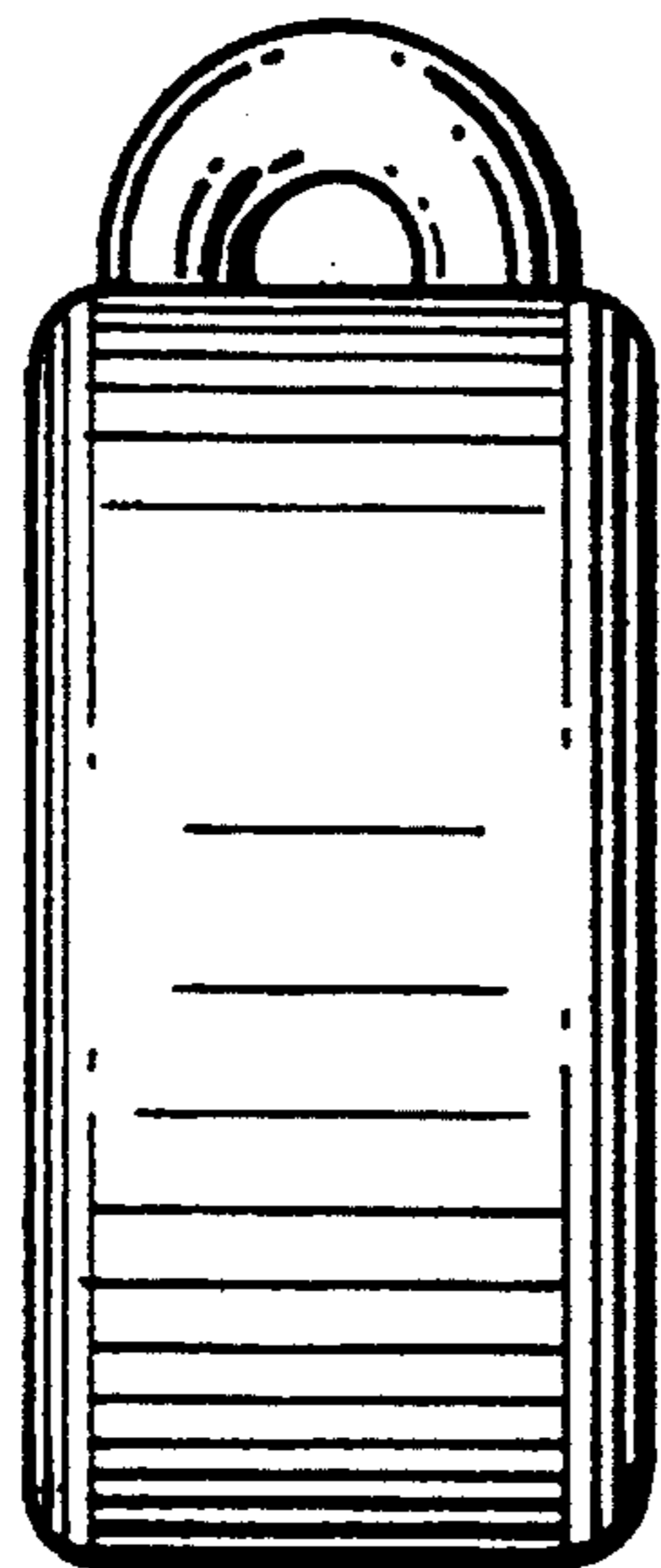


FIG.6

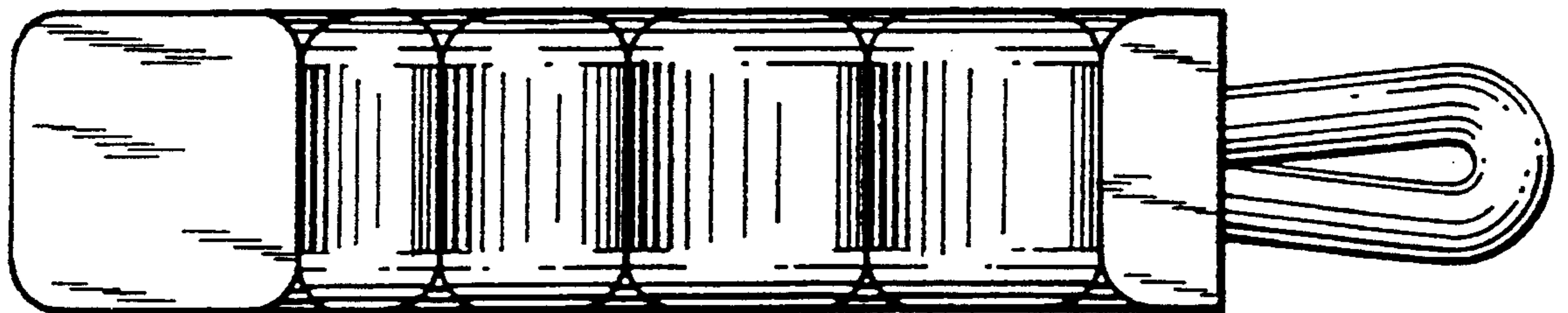
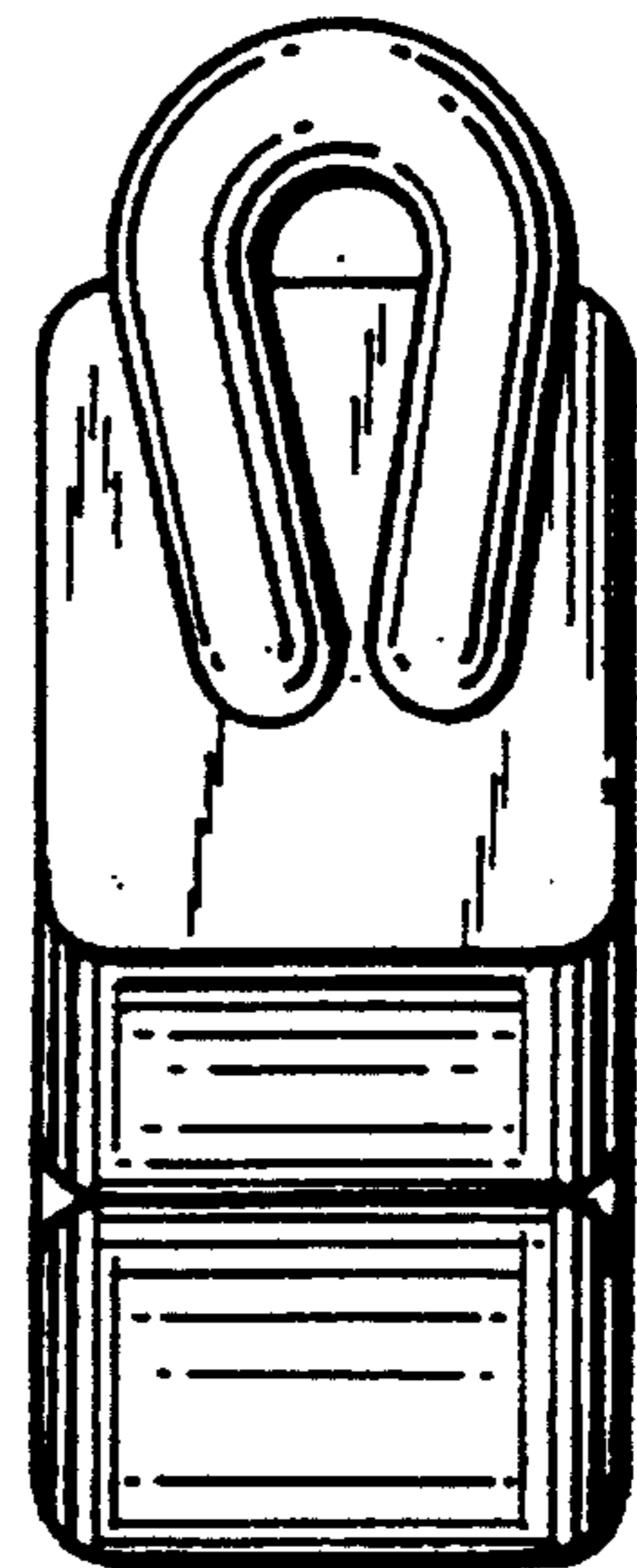


FIG.7