



US00D370969S

United States Patent [19]

Ikeda et al.

[11] Patent Number: **Des. 370,969**

[45] Date of Patent: ****Jun. 18, 1996**

[54] AIR-CURTAIN BLOWER FAN

FOREIGN PATENT DOCUMENTS

[75] Inventors: **Hideyuki Ikeda; Yoshihito Nakahara**,
both of Kamakura, Japan

554481 8/1993 European Pat. Off. 454/188

[73] Assignee: **Mitsubishi Denki Kabushiki Kaisha**,
Tokyo, Japan

Primary Examiner—Lisa P. Lichtenstein
Attorney, Agent, or Firm—Oblon, Spivak, McClelland,
Maier & Neustadt

[**] Term: **14 Years**

[57] CLAIM

[21] Appl. No.: **28,441**

The ornamental design for an air-curtain blower fan, as shown and described.

[22] Filed: **Sep. 15, 1994**

DESCRIPTION

[30] Foreign Application Priority Data

FIG. 1 is a front elevational view of an air-curtain blower fan, showing our new design;

Mar. 22, 1994 [JP] Japan 6-7591

FIG. 2 is a rear elevational view thereof;

[52] U.S. Cl. **D23/380; D23/370; D23/381**

FIG. 3 is a top plan view thereof;

[58] Field of Search **D23/380, 381,**
D23/370, 377, 383; 415/60; 454/188

FIG. 4 is a bottom plan view thereof;

FIG. 5 is a right side elevational view thereof;

FIG. 6 is a greatly enlarged cross-sectional view thereof,
taken along line 6—6 of FIG. 1; and,

FIG. 7 is an enlarged front, bottom and right side perspective
view thereof.

[56] References Cited

U.S. PATENT DOCUMENTS

4,450,755 5/1984 Catan 454/188
4,989,501 2/1991 Catan 454/188

1 Claim, 4 Drawing Sheets

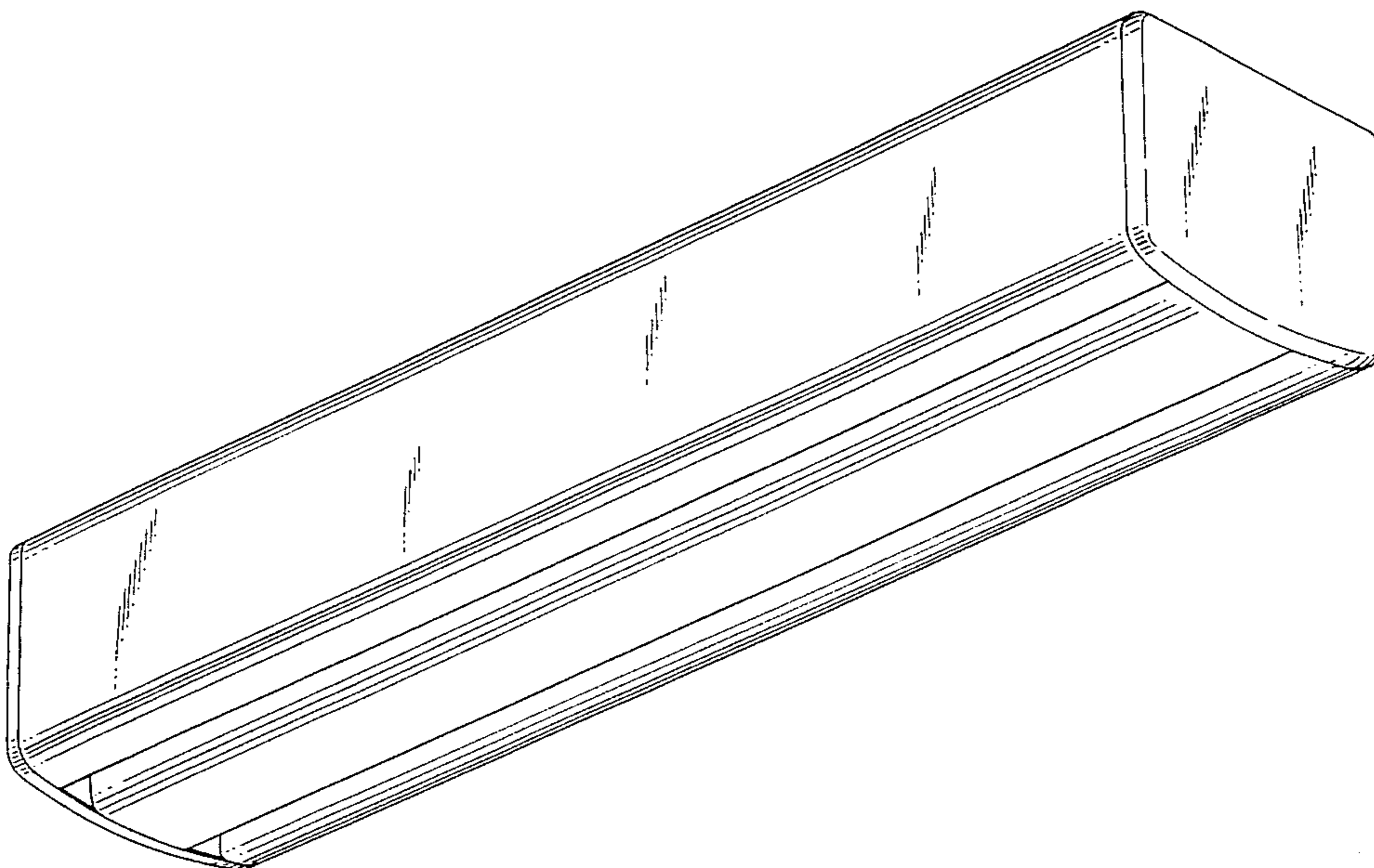
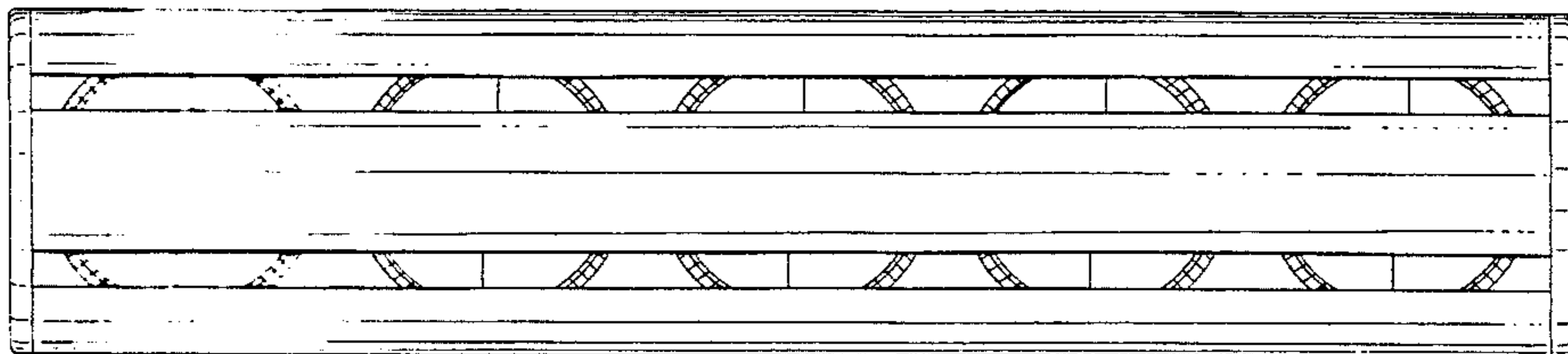
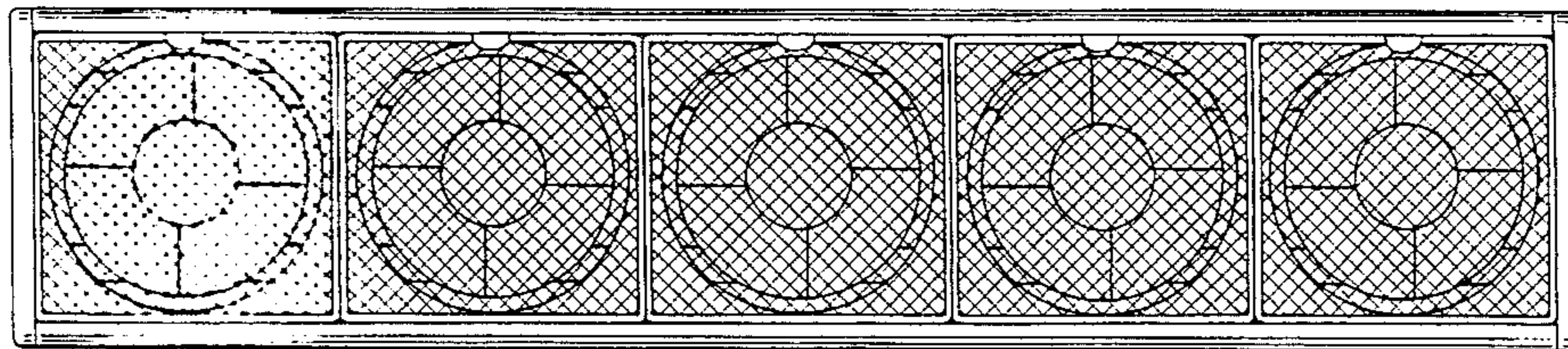


FIG. 1

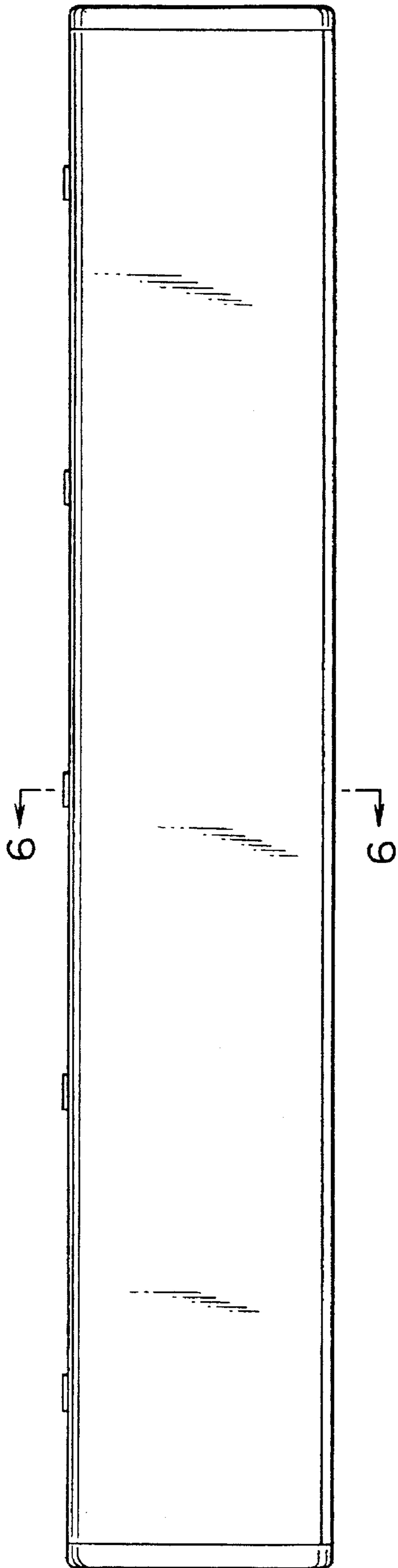


FIG. 2

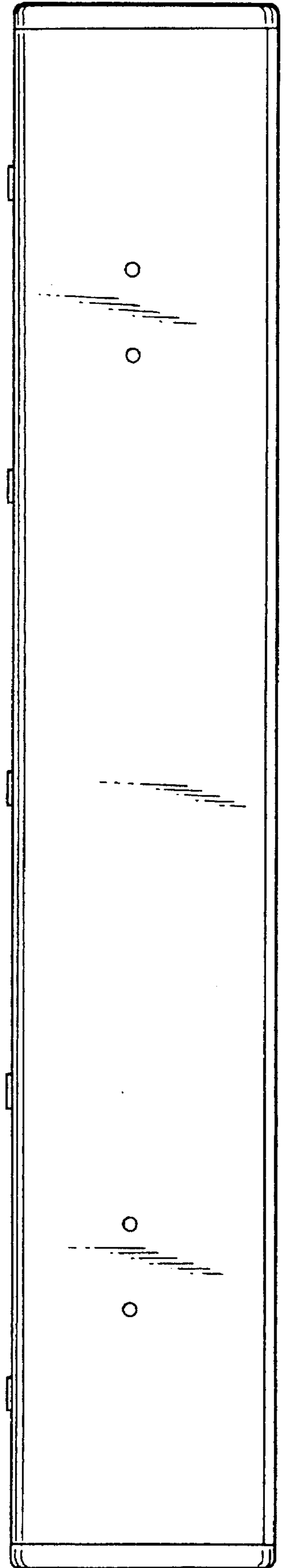


FIG. 3

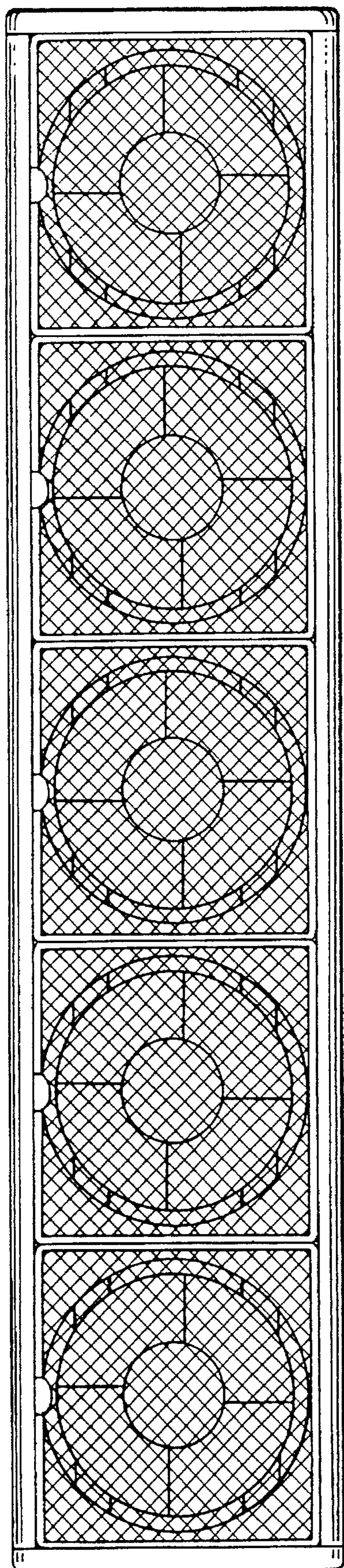


FIG. 4

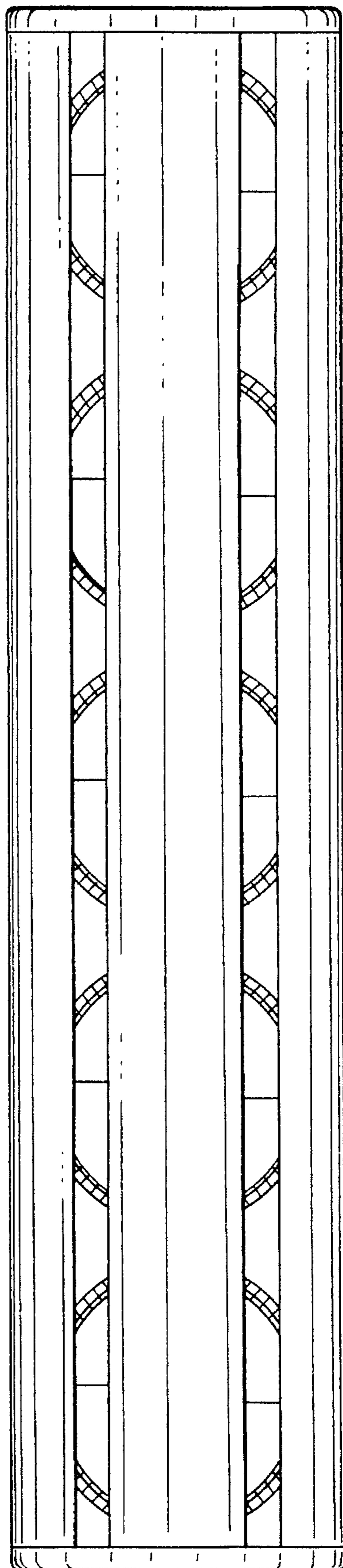


FIG. 5

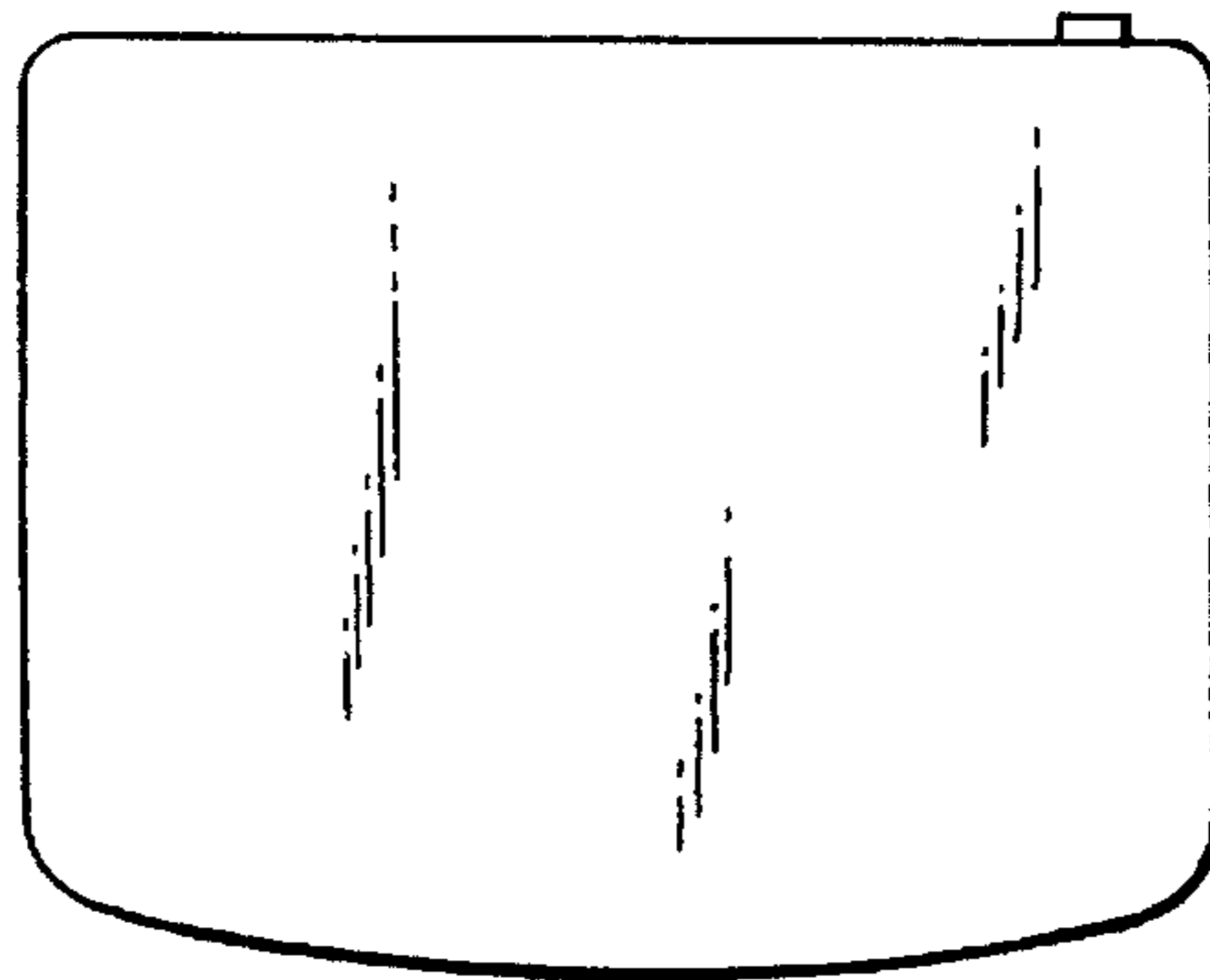
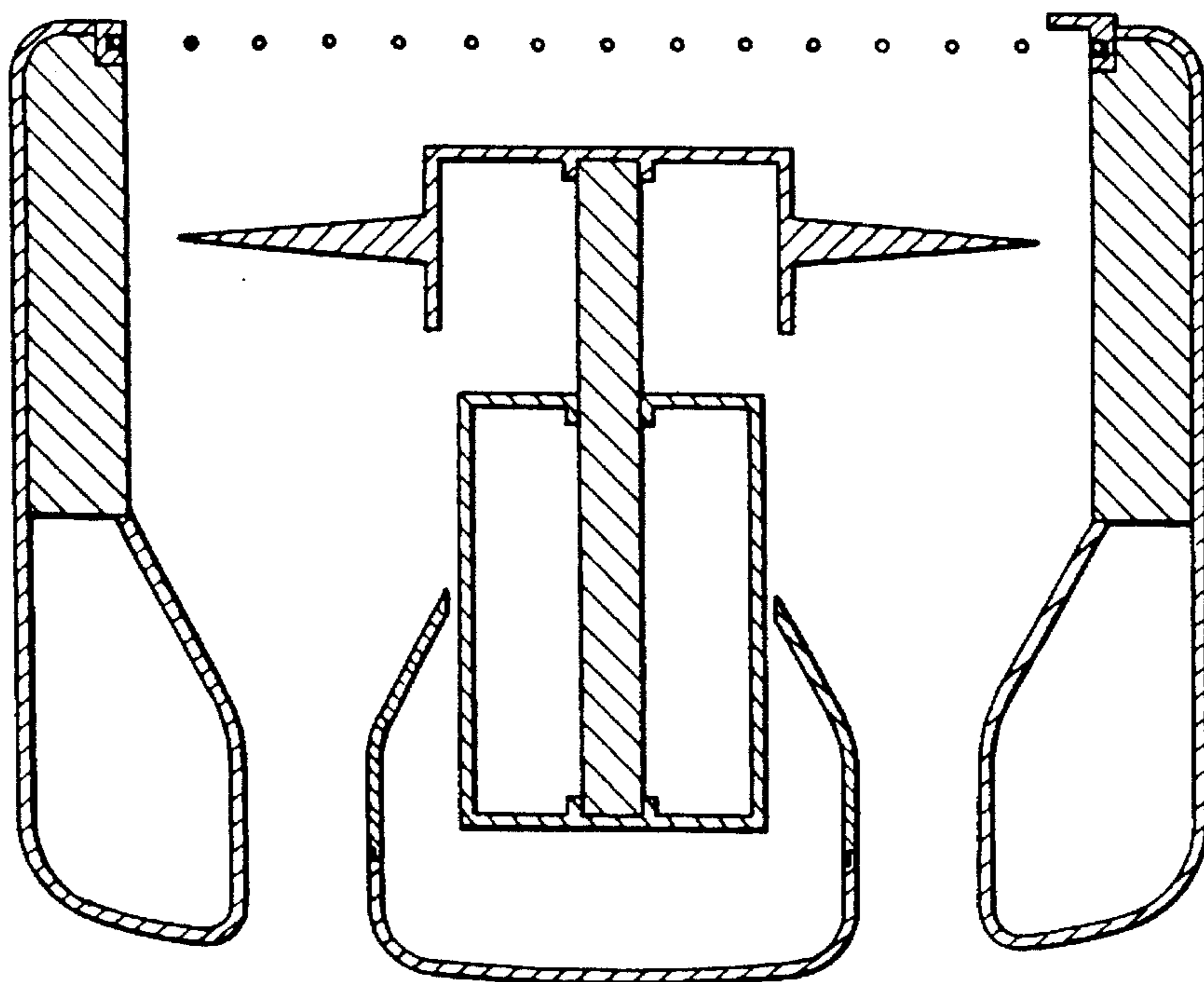


FIG. 6



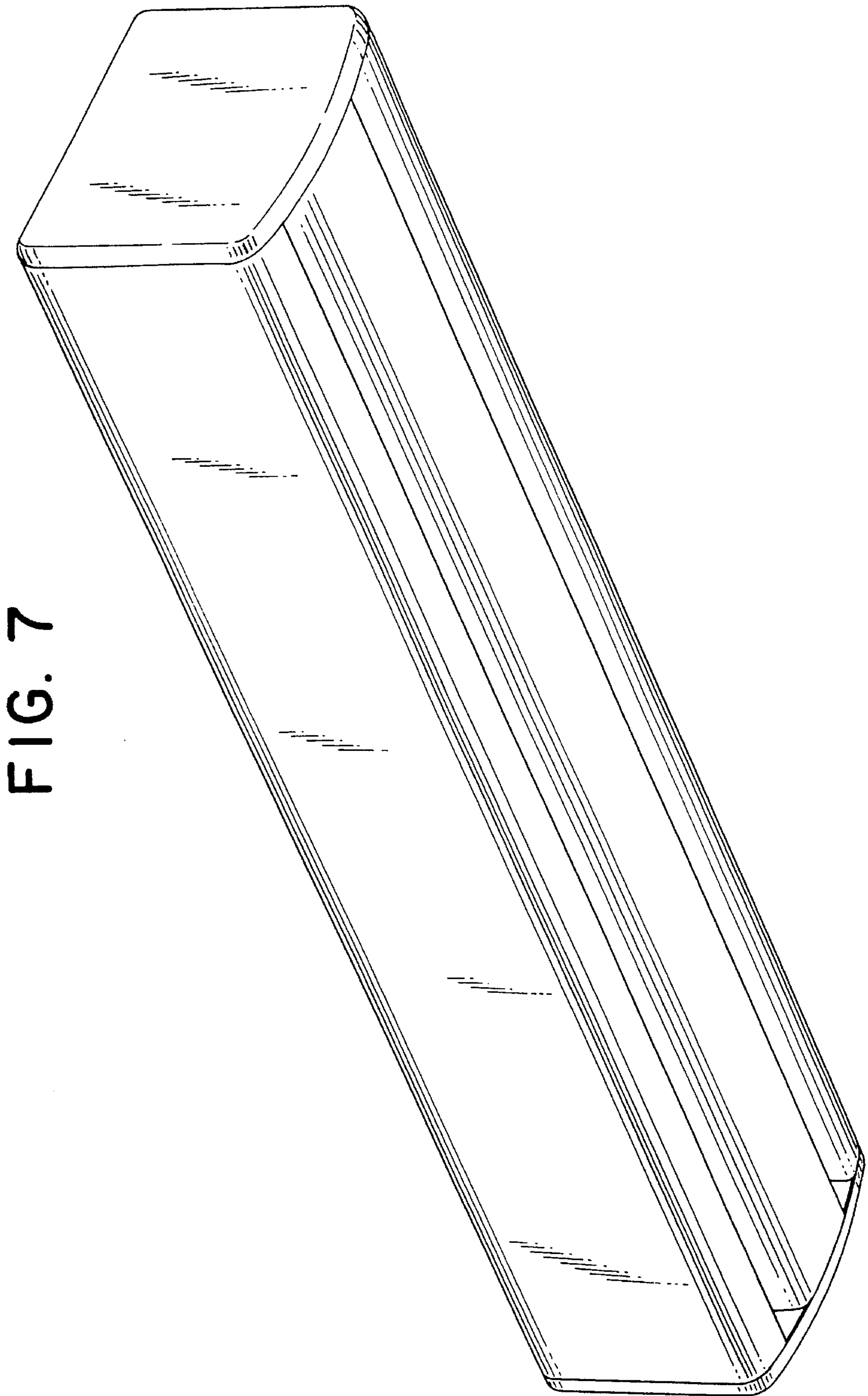


FIG. 7