



US00D370966S

United States Patent [19] Enthoven

[11] Patent Number: **Des. 370,966**

[45] Date of Patent: ****Jun. 18, 1996**

[54] **LAVATORY**

2,426,152 8/1947 Meldahl D23/286 X
4,991,241 2/1991 Bermann et al. 4/619

[75] Inventor: **Axel Enthoven**, Wijnegen, Belgium

[73] Assignee: **American Standard Inc.**, Piscataway, N.J.

[**] Term: **14 Years**

Primary Examiner—Stella Reid
Assistant Examiner—E. Watterson
Attorney, Agent, or Firm—Elaine Brenner Robinson; Ann M. Knab

[21] Appl. No.: **38,916**

[22] Filed: **May 16, 1995**

[57] **CLAIM**

The ornamental design of a lavatory, as shown and described.

Related U.S. Application Data

[62] Division of Ser. No. 13,209, Sep. 20, 1993, Pat. No. Des. 361,372.

[52] **U.S. Cl.** **D23/292**

[58] **Field of Search** D23/284–293.1,
D23/270–274, 308; 4/619, 625, 635–650

DESCRIPTION

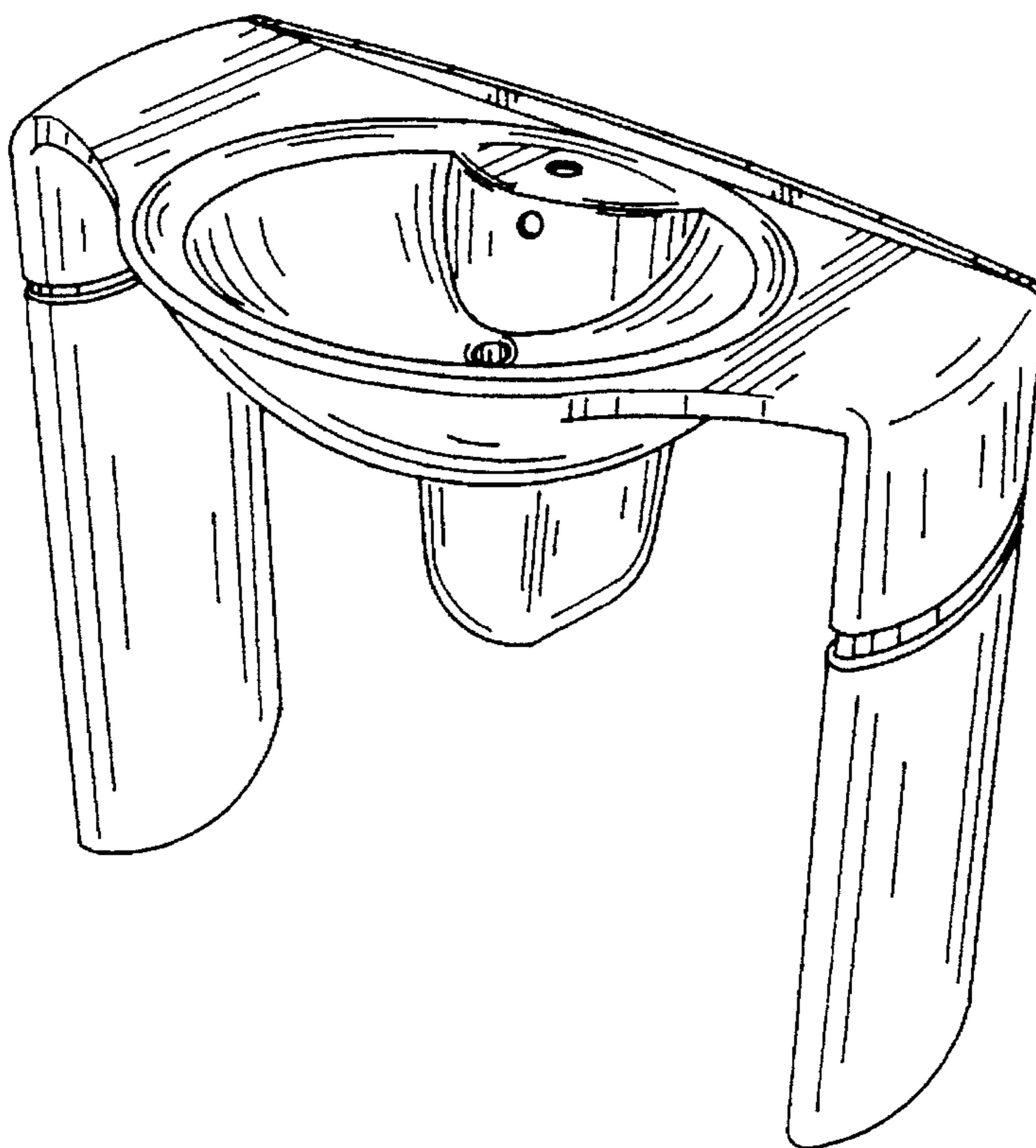
FIG. 1 is a top, front and right side perspective view of a lavatory showing my new design;
FIG. 2 is a left side elevational view, the opposite side being a mirror image thereof;
FIG. 3 is a front side elevational view thereof;
FIG. 4 is a top plan view thereof;
FIG. 5 is a bottom plan view thereof;
FIG. 6 is a rear elevational view thereof;
FIG. 7 is a top, front, and right side perspective view of that shown in FIG. 1, the only difference being resigning in the appearance of a shorter counter space;
FIG. 8 is a left side elevational view of FIG. 7, the opposite side being a mirror image thereof;
FIG. 9 is a front side elevational view of FIG. 7;
FIG. 10 is a top plan view of FIG. 7;
FIG. 11 is a bottom plan view of FIG. 7; and,
FIG. 12 is a rear elevational view of FIG. 7.

[56] **References Cited**

U.S. PATENT DOCUMENTS

D. 100,205	6/1936	Coordes	D23/286
D. 202,411	9/1965	Niemann	D4/2
D. 215,291	9/1969	Owings	D23/58
D. 218,520	8/1970	Audino et al.	D23/58
D. 222,465	10/1971	Anderson	D23/58
D. 238,070	12/1975	Ganger	D23/58
D. 246,050	10/1977	Garasi	D23/58
D. 260,678	9/1981	Hiller	D23/53
D. 312,123	11/1990	Enthoven	D23/294
D. 319,691	9/1991	Yvetot	D23/293.1
D. 332,996	2/1993	Hart et al.	D23/294

1 Claim, 6 Drawing Sheets



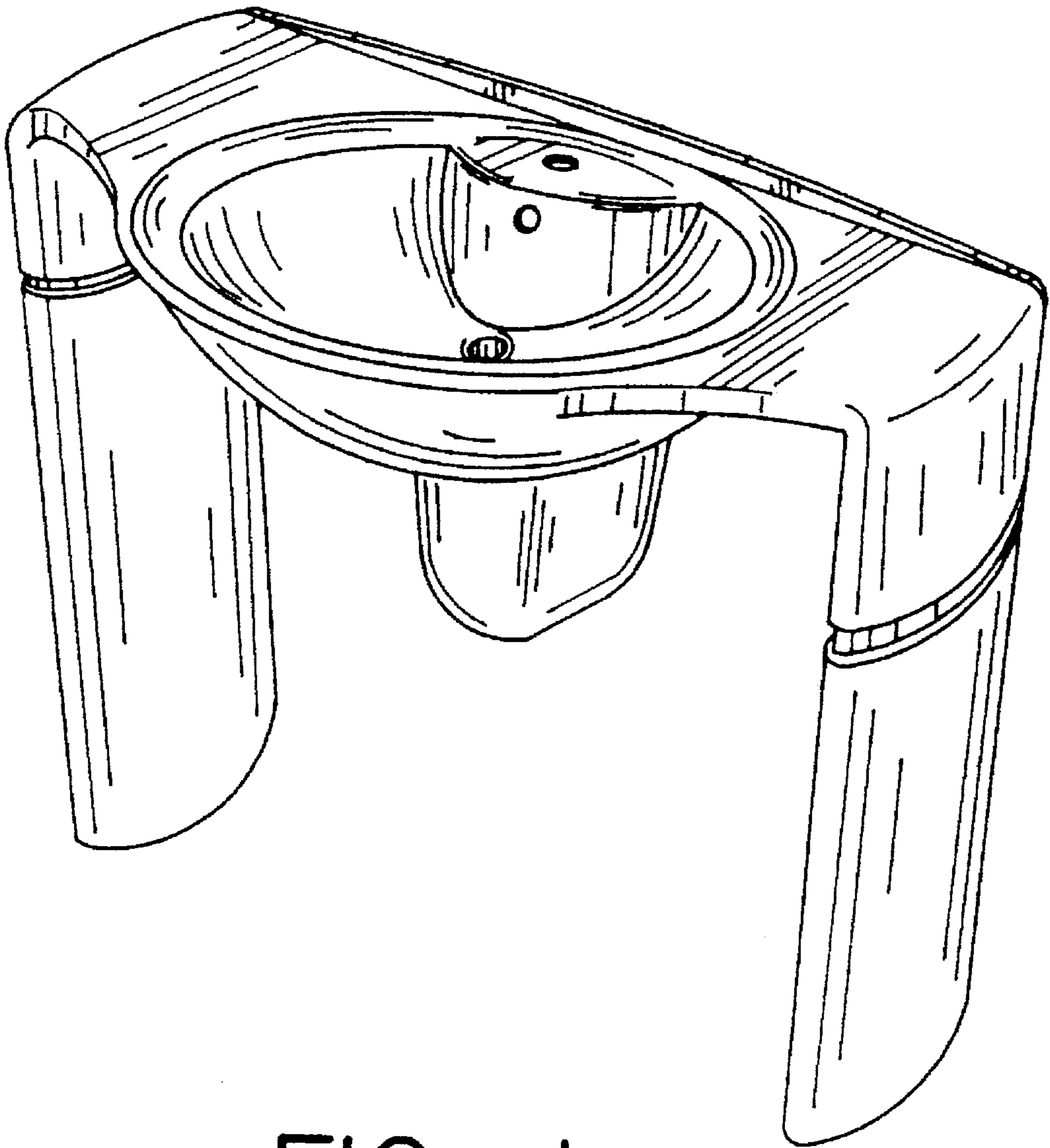


FIG. 1

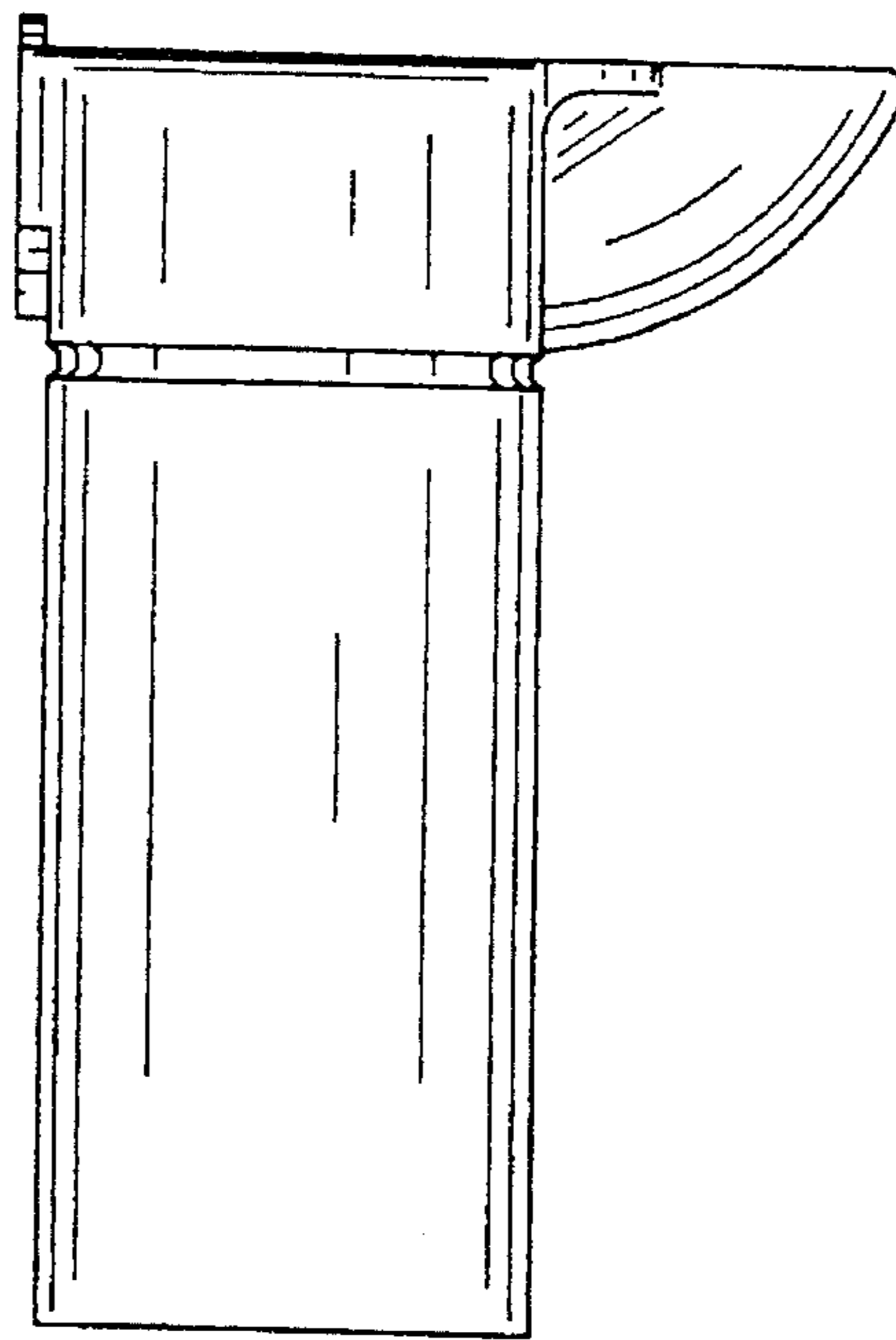


FIG. 2

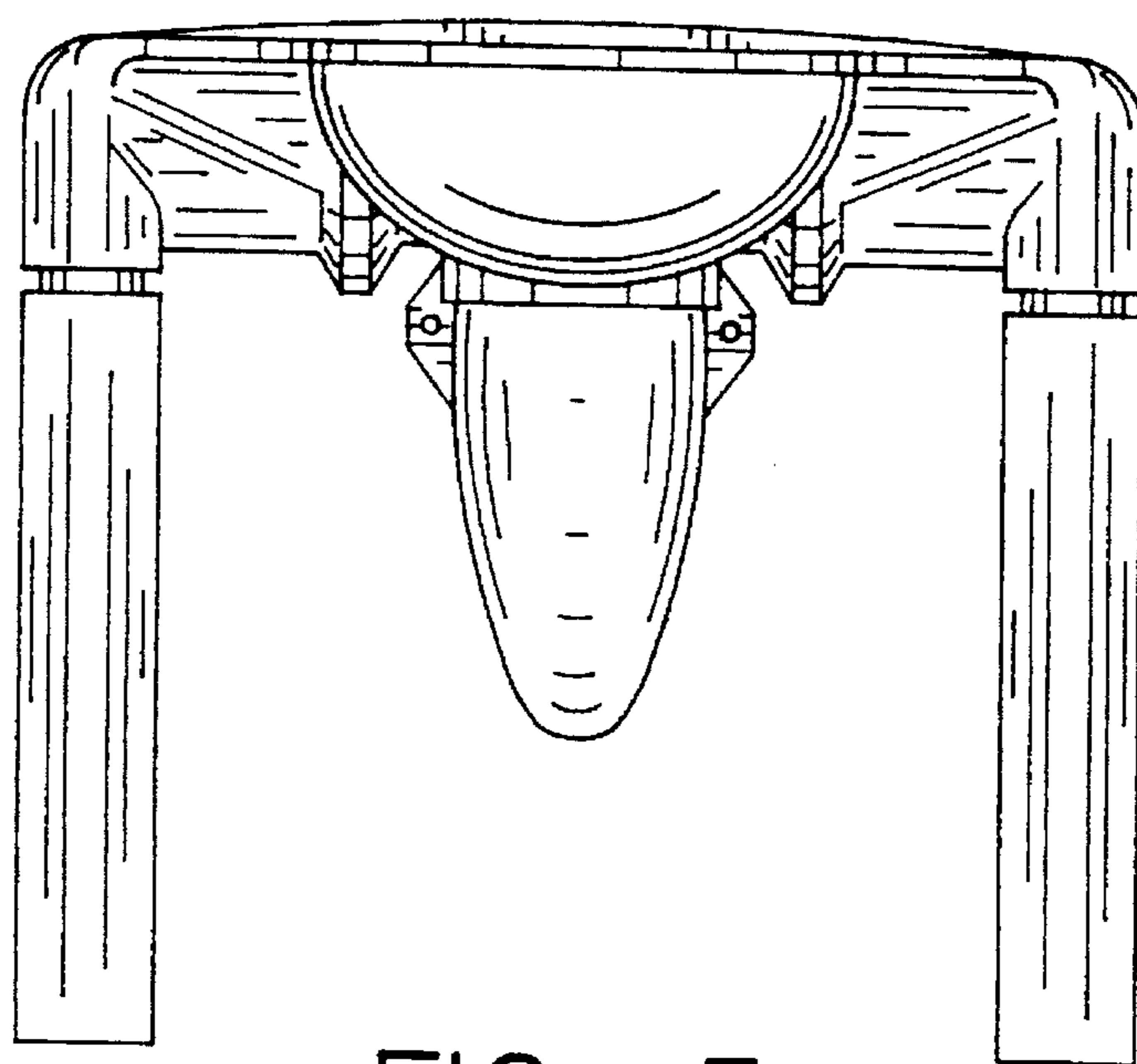


FIG. 3

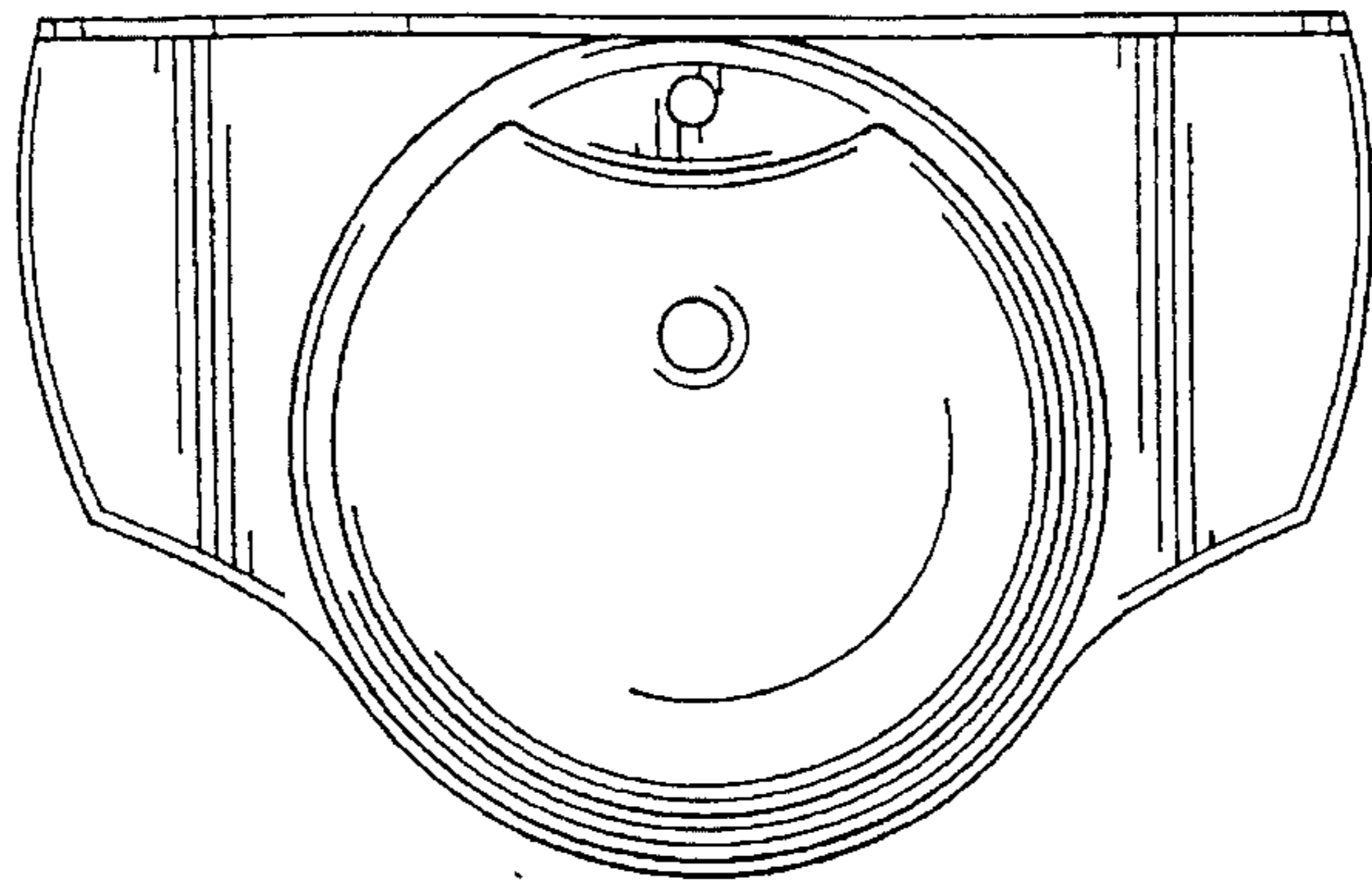


FIG. 4

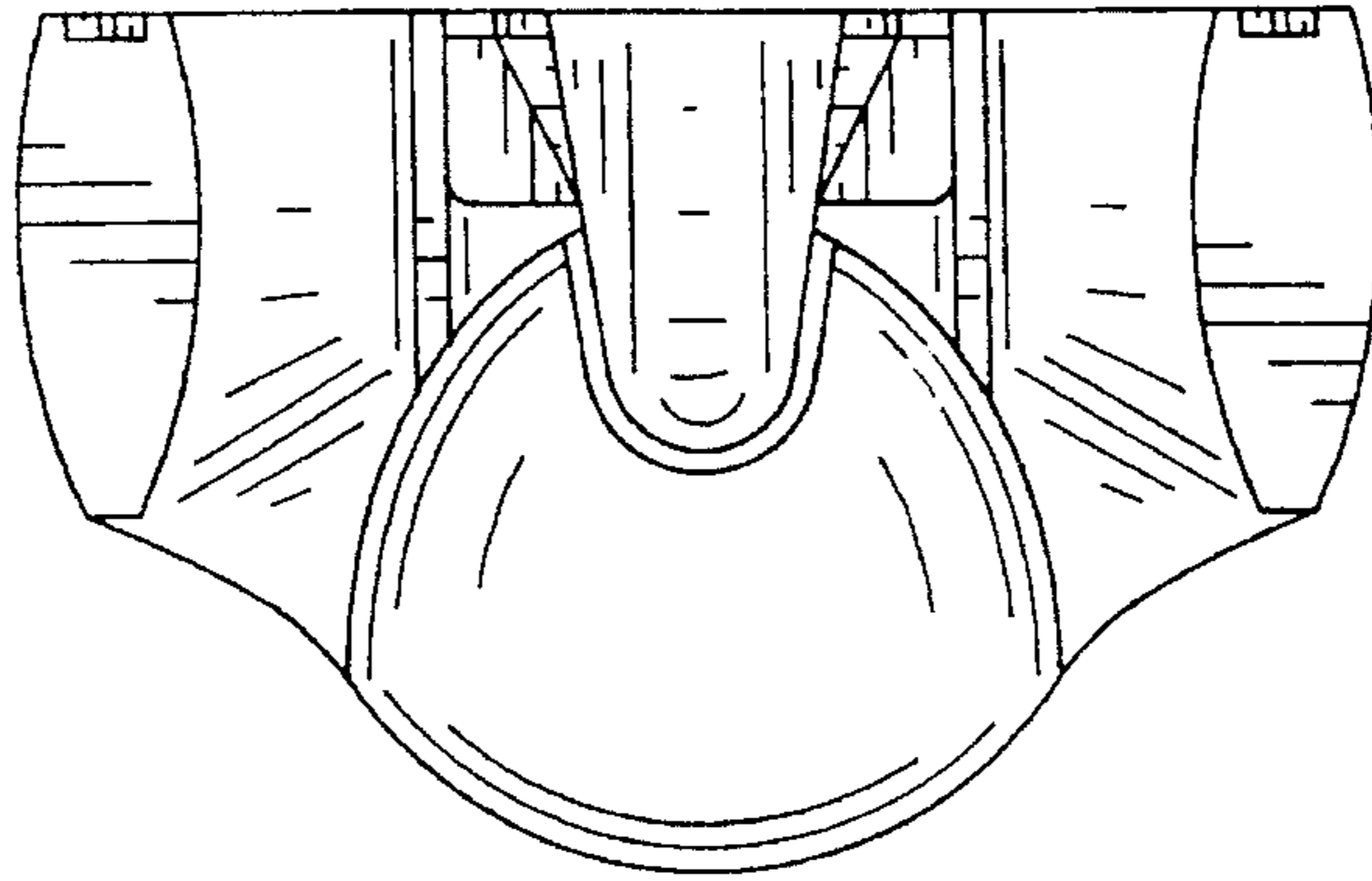


FIG. 5

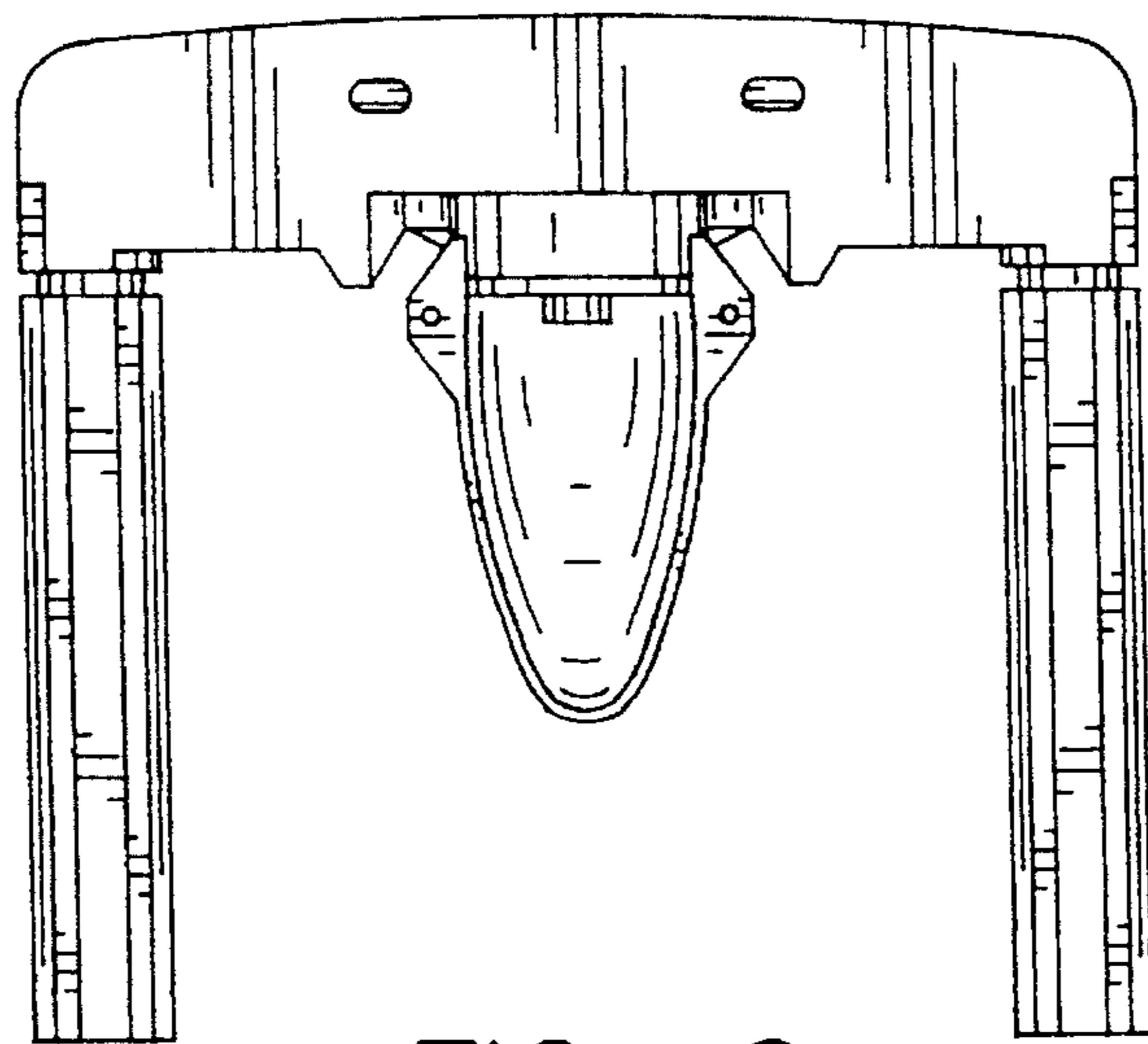


FIG. 6

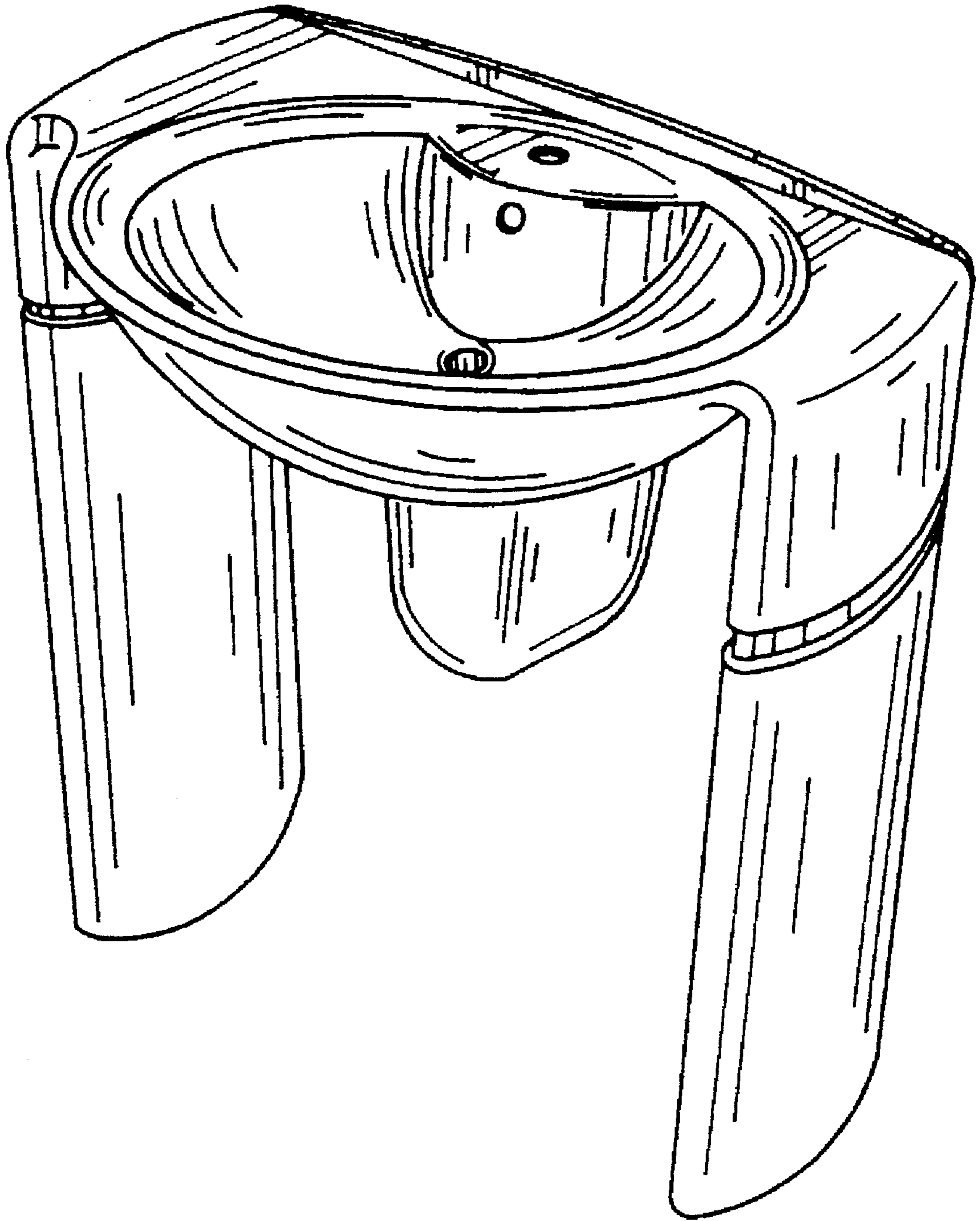


FIG. 7

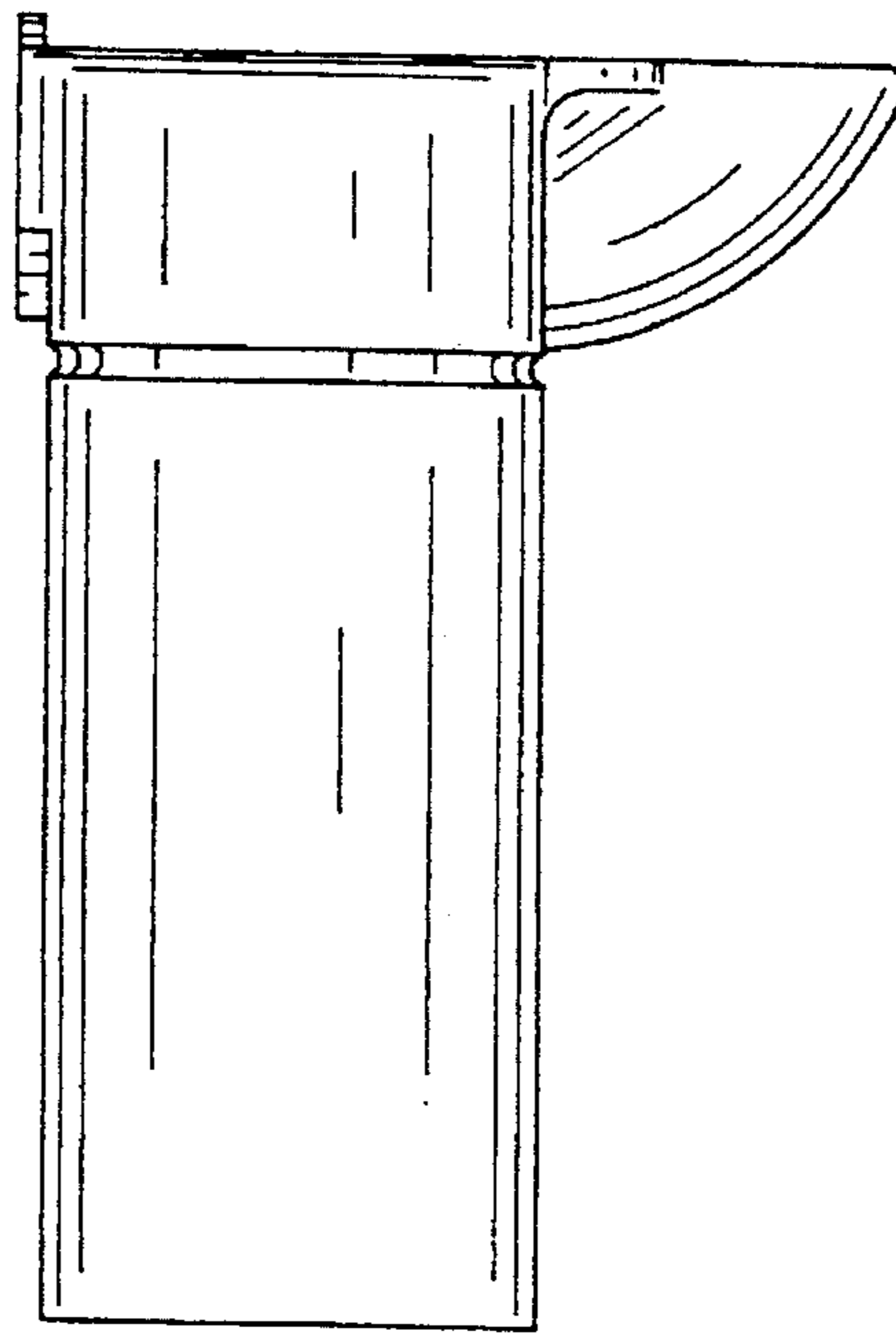


FIG. 8

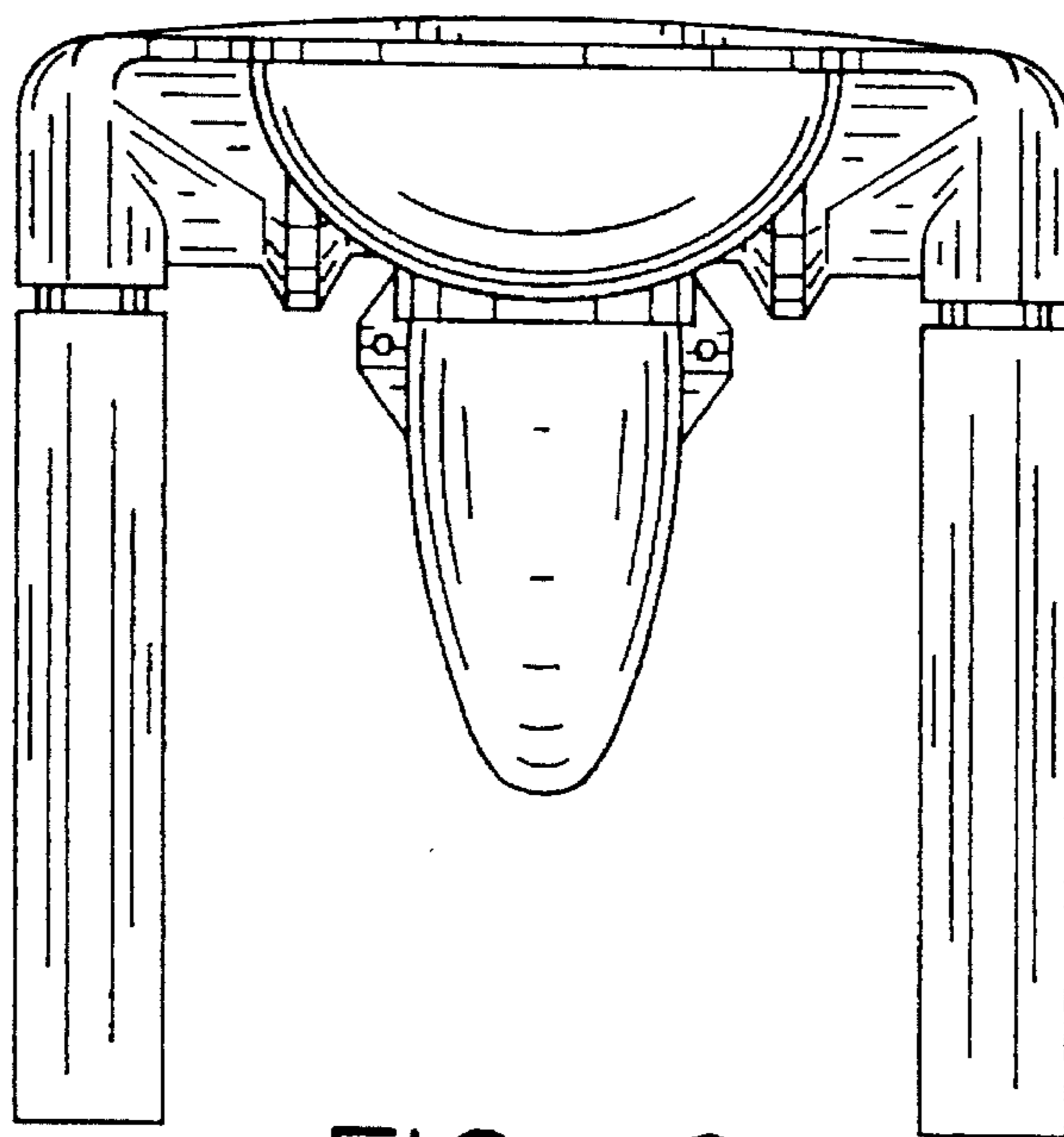


FIG. 9

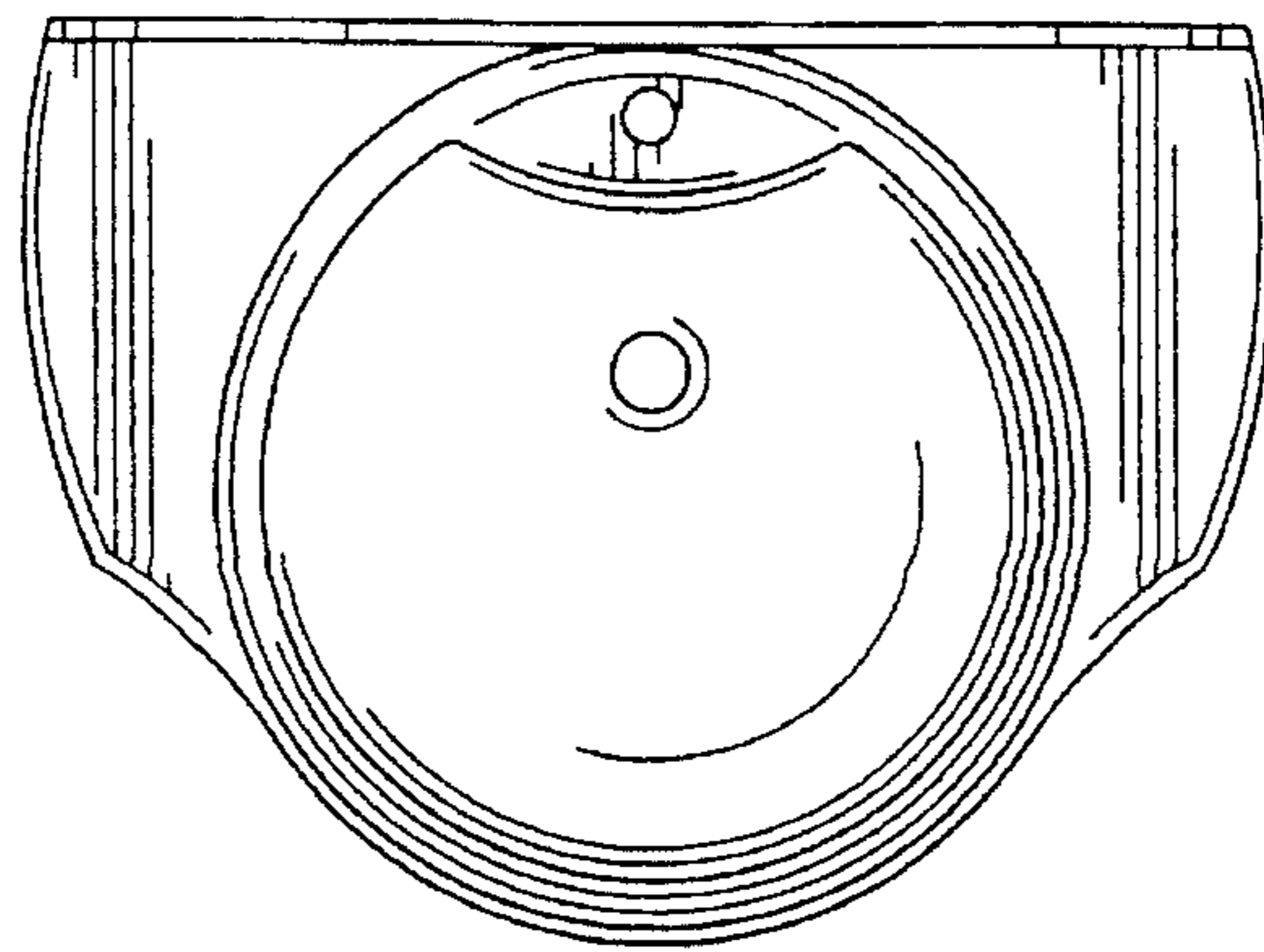


FIG. 10

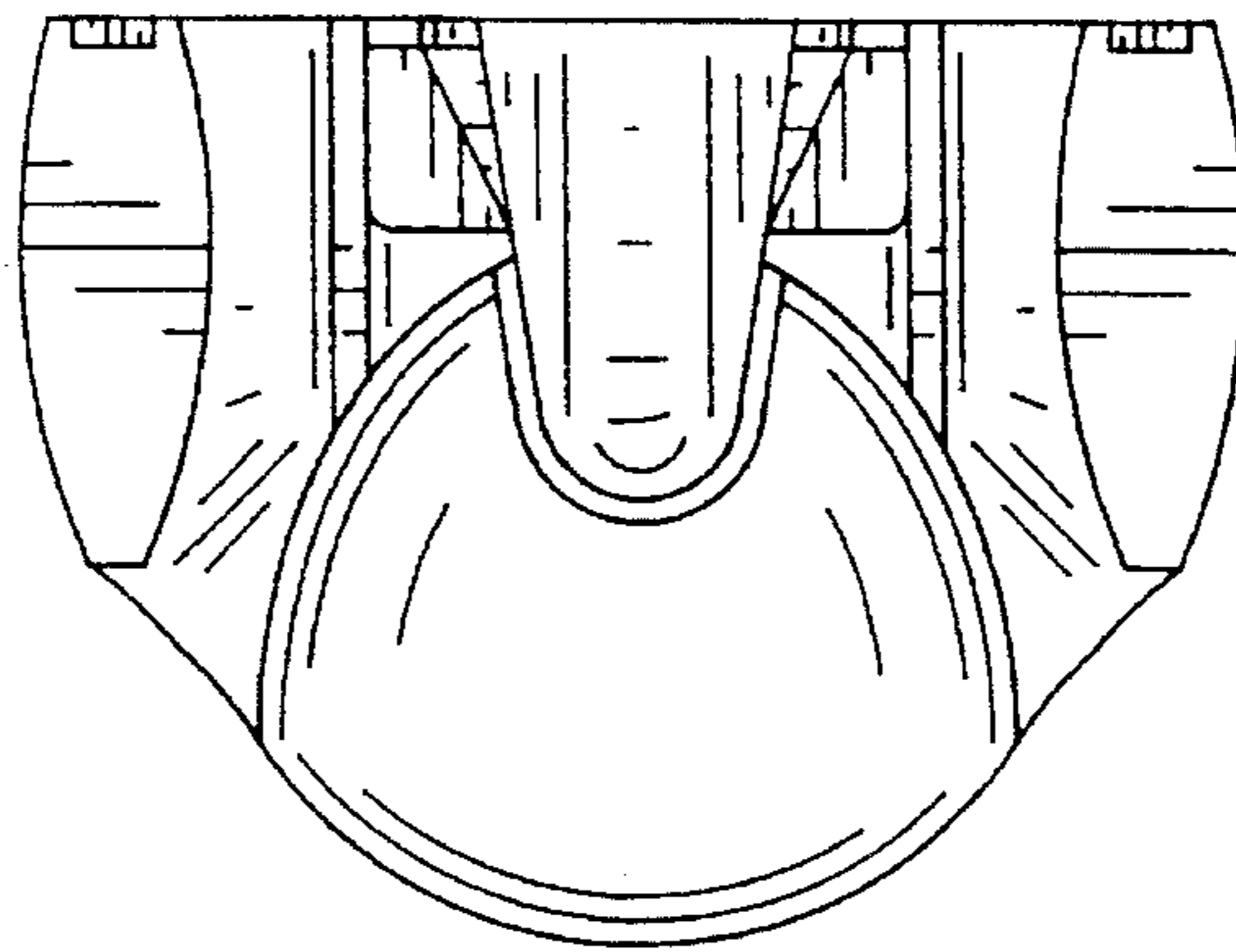


FIG. 11

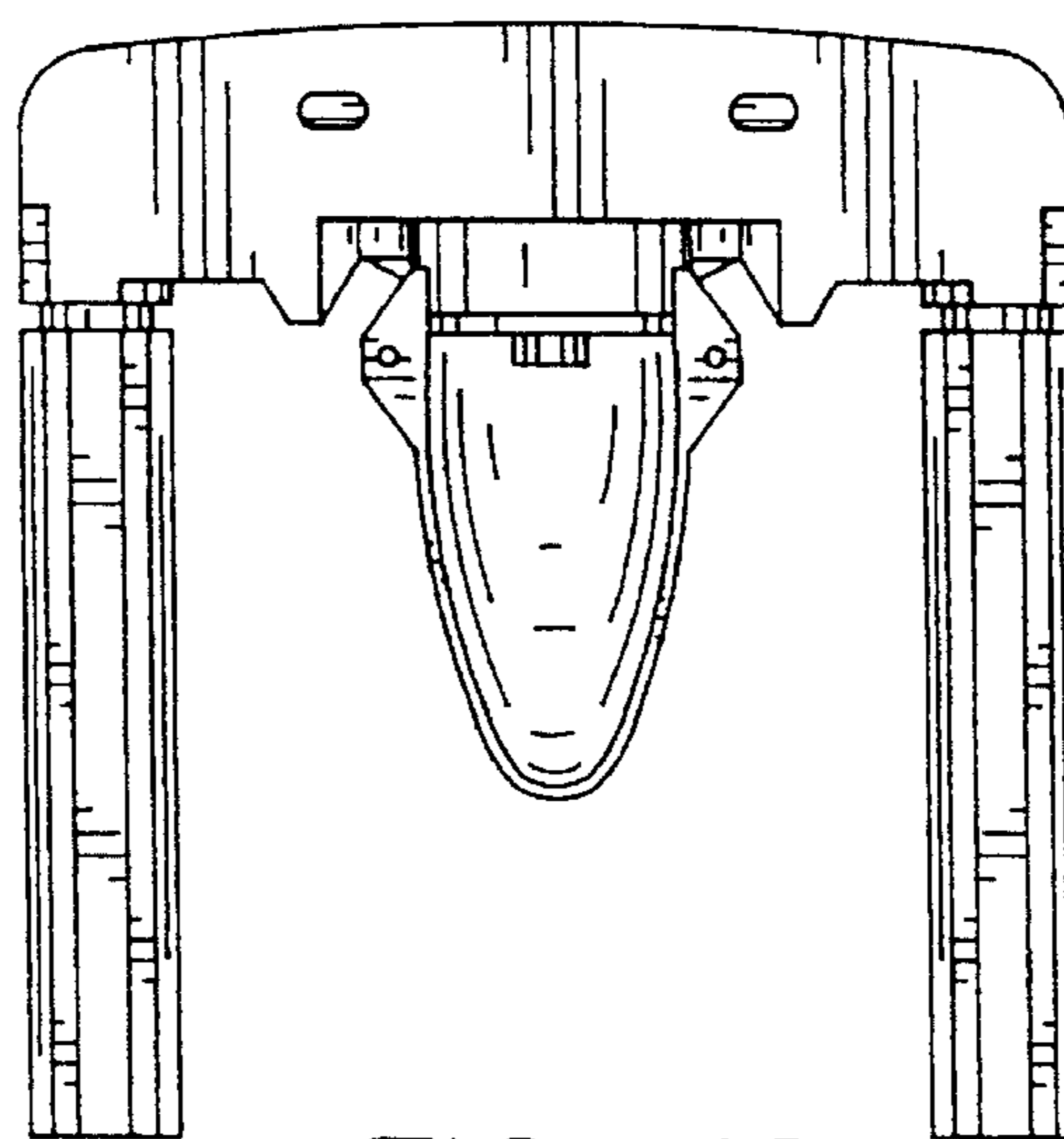


FIG. 12