



US00D370962S

United States Patent [19]

Aquilina

[11] Patent Number: **Des. 370,962**

[45] Date of Patent: ****Jun. 18, 1996**

- [54] **HAND-HELD WATER NOZZLE**
- [75] Inventor: **Paul C. Aquilina**, Kitchener, Canada
- [73] Assignee: **Melnor Canada Ltd.**, Brantford, Canada
- [**] Term: **14 Years**
- [21] Appl. No.: **36,486**
- [22] Filed: **Mar. 21, 1995**
- [52] U.S. Cl. **D23/223**
- [58] Field of Search **D23/213-224, D23/228-230; 239/394, 373, 414-5, 525-528**

4,083,497 4/1978 Rosenberger 239/526

Primary Examiner—A. Hugo Word
Assistant Examiner—Robin V. Taylor
Attorney, Agent, or Firm—Baker, Donelson, Bearman & Caldwell

[57] CLAIM

The ornamental design for a hand-held water nozzle, as shown and described.

DESCRIPTION

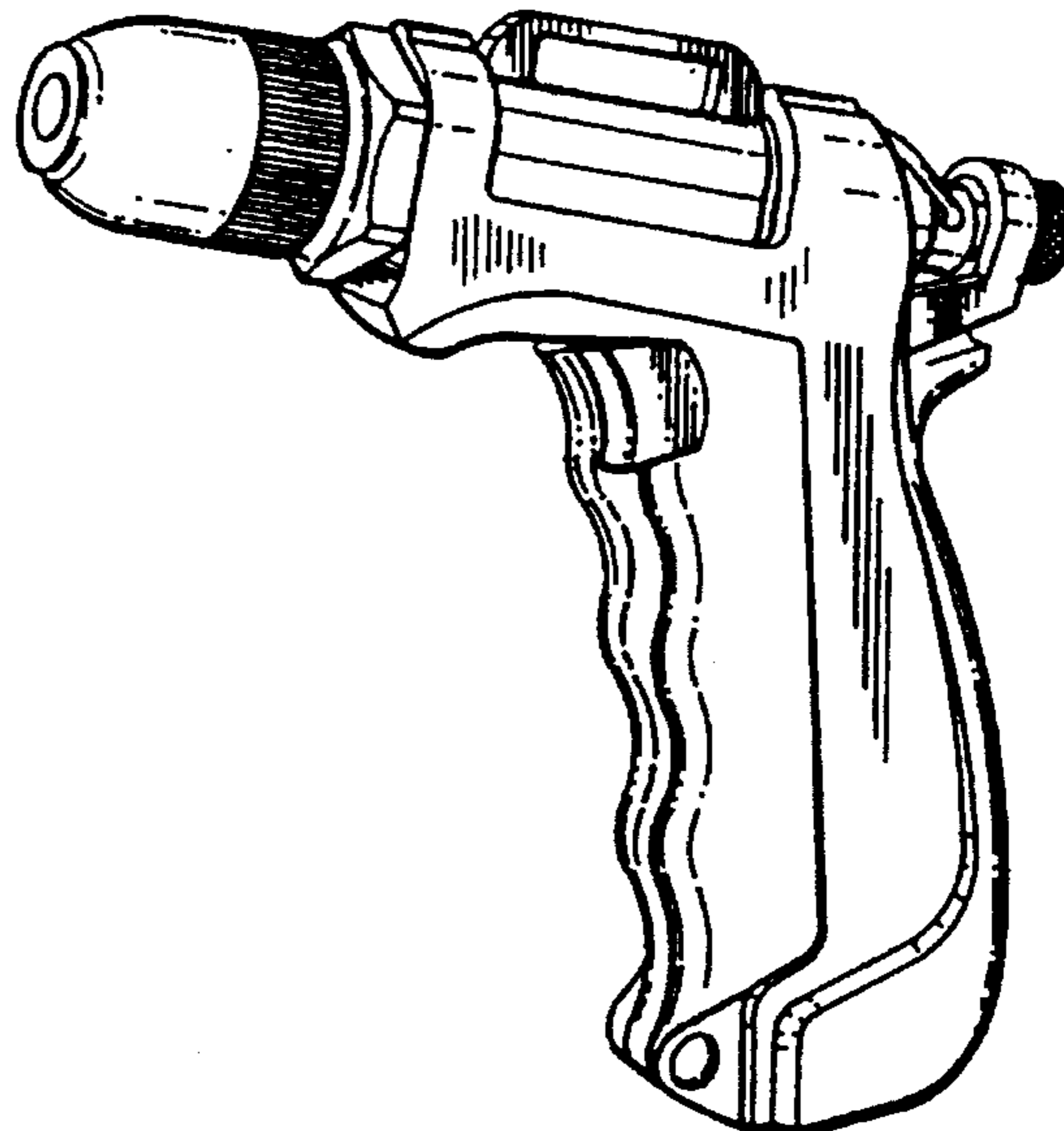
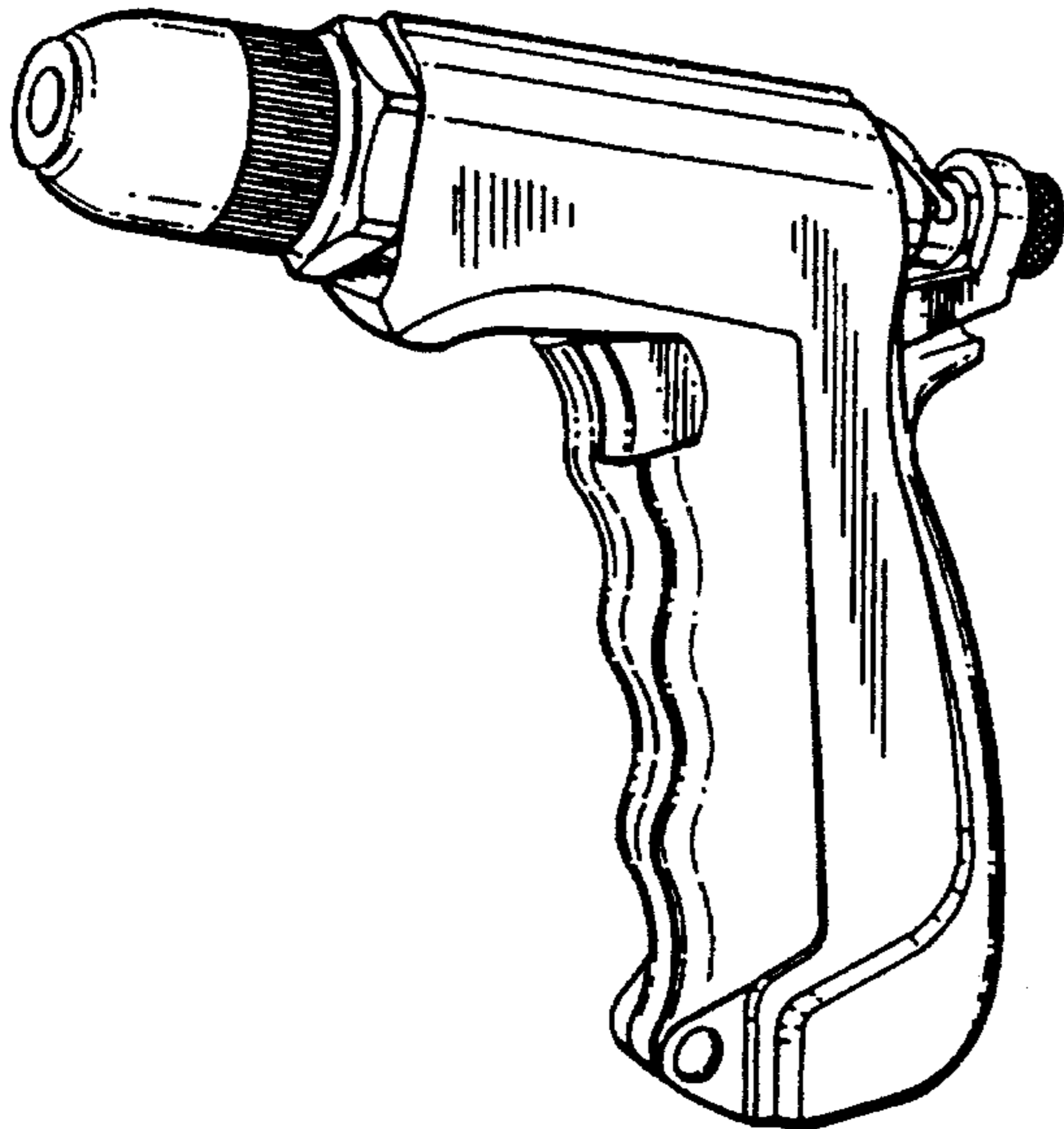
FIG. 1 is a front, side perspective view of a hand-held water nozzle showing my new design;
 FIG. 2 is a front elevational view thereof;
 FIG. 3 is a left side elevational view thereof;
 FIG. 4 is a bottom plan view thereof;
 FIG. 5 is a top plan view thereof;
 FIG. 6 is a right side elevational view thereof;
 FIG. 7 is a rear elevational view thereof;
 FIG. 8 is a front, side perspective view of an alternative embodiment of my new design;
 FIG. 9 is a front elevational view of the alternative embodiment shown in FIG. 8;
 FIG. 10 is a left side elevational view thereof;
 FIG. 11 is a bottom plan view thereof;
 FIG. 12 is a top plan view thereof;
 FIG. 13 is a right side elevational view thereof; and,
 FIG. 14 is a rear elevational view thereof.

[56] References Cited

U.S. PATENT DOCUMENTS

| | | | | |
|------------|--------|----------------|-------|-----------|
| D. 225,736 | 1/1973 | Mango et al. | | D23/37 |
| D. 234,053 | 1/1975 | Raffler et al. | | D23/226 |
| D. 251,850 | 5/1979 | Morgan | | D23/37 |
| D. 297,351 | 8/1988 | Kitts | | D23/226 |
| D. 300,348 | 3/1989 | Lubeck | | D23/226 |
| D. 309,654 | 7/1990 | Roman | | D23/226 |
| D. 314,609 | 2/1991 | Liaw | | D23/226 |
| D. 325,620 | 4/1992 | Heren | | D23/223 |
| D. 328,780 | 8/1992 | Aquilina | | D23/226 |
| 1,509,671 | 9/1924 | Fish et al. | . | |
| 2,937,813 | 5/1960 | Rinkewich | | 239/459 |
| 2,991,945 | 7/1961 | Rosenkranz | | 239/459 |
| 3,001,723 | 9/1961 | Bounds | | 239/448 |
| 3,799,447 | 3/1974 | Beal | | 239/288.5 |

1 Claim, 4 Drawing Sheets



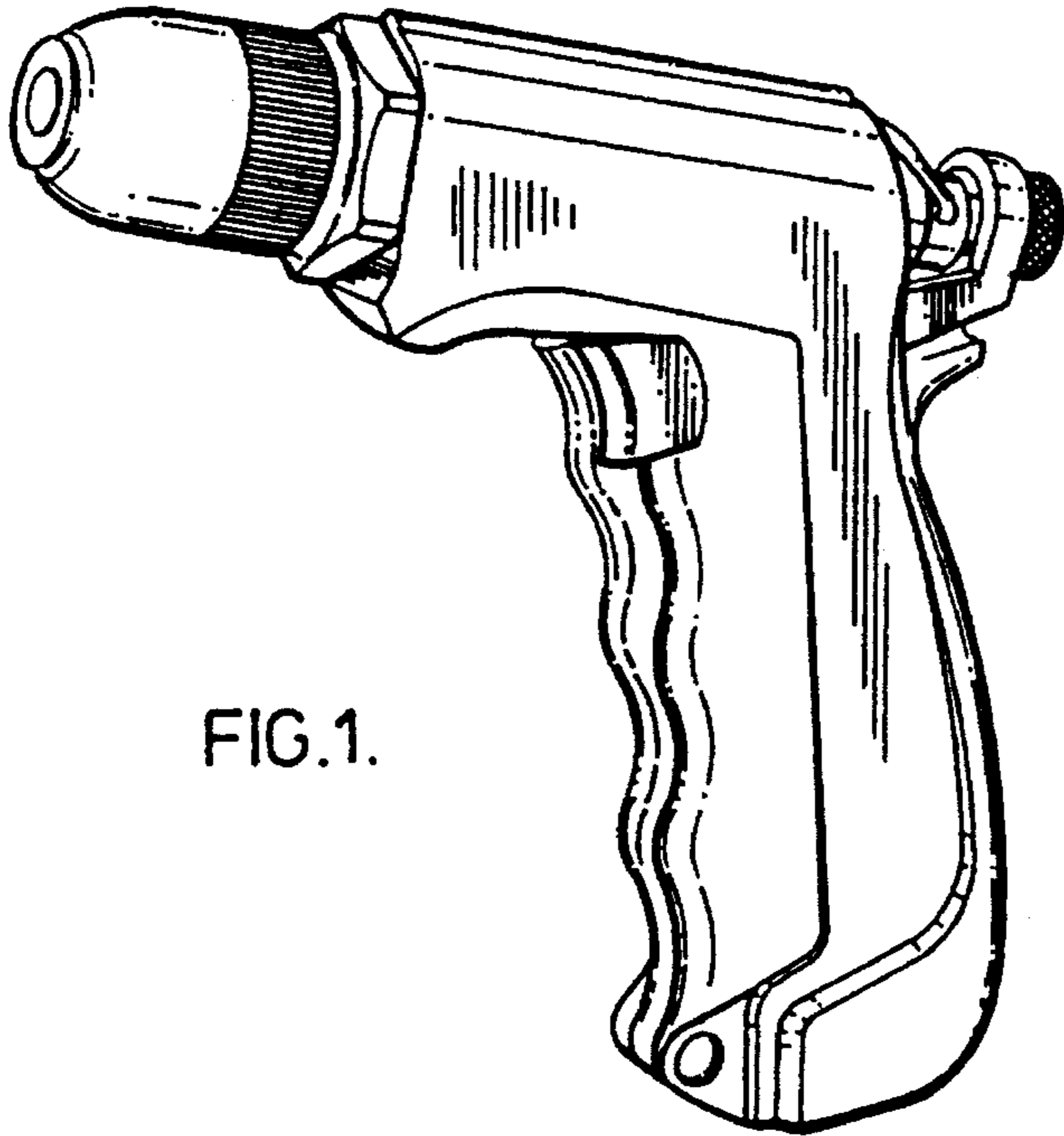


FIG. 1.

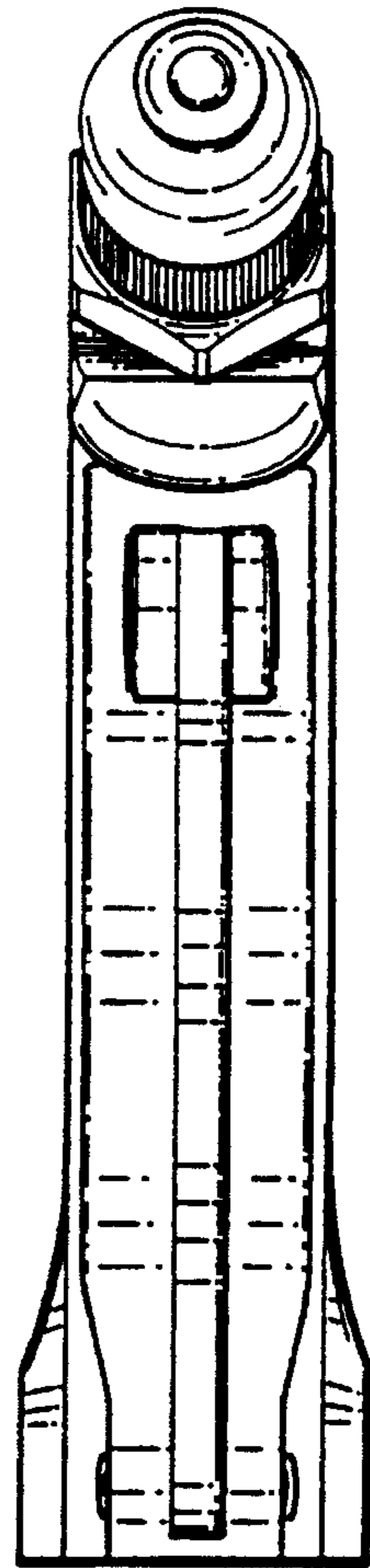


FIG. 2.

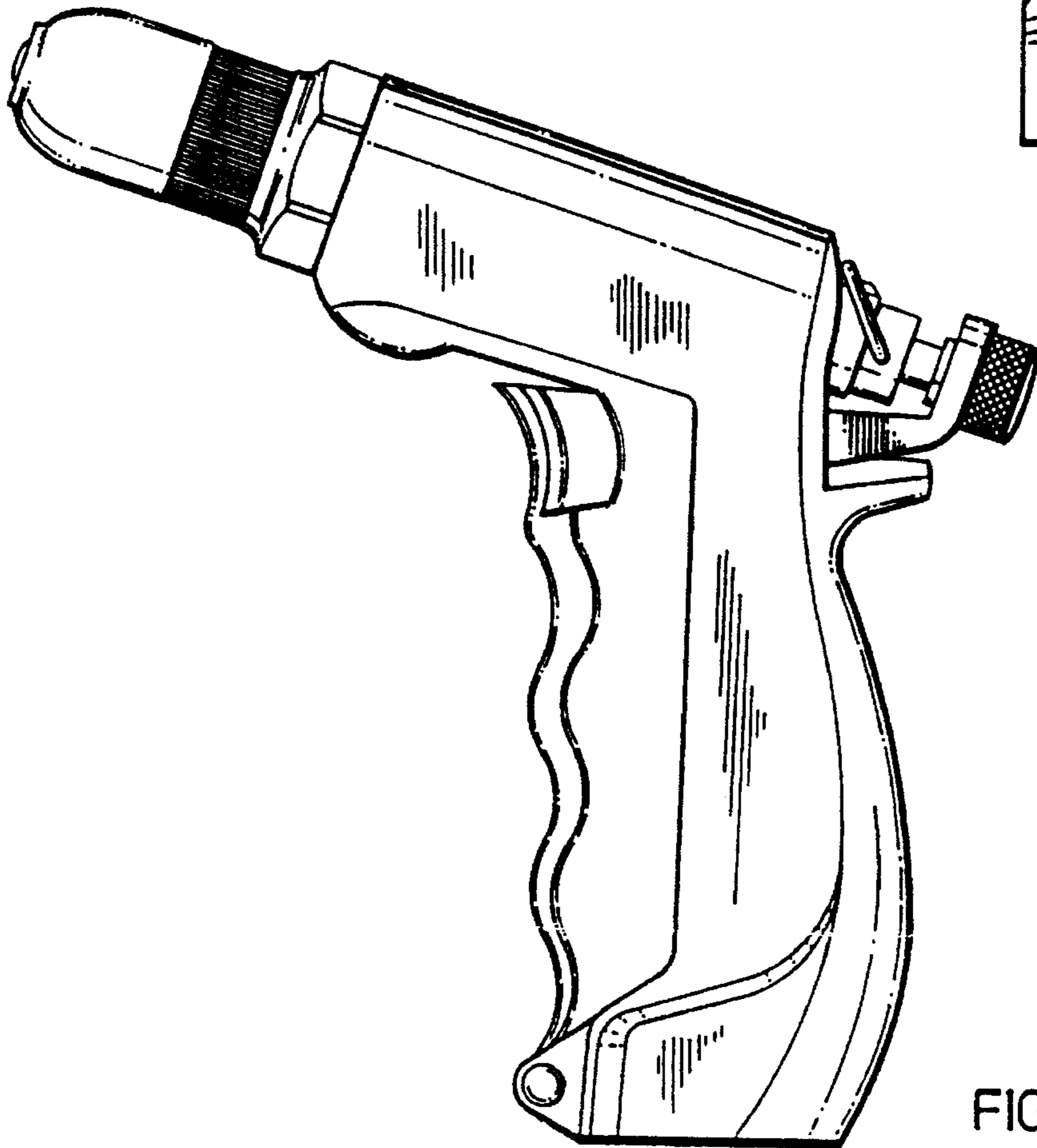


FIG. 3.

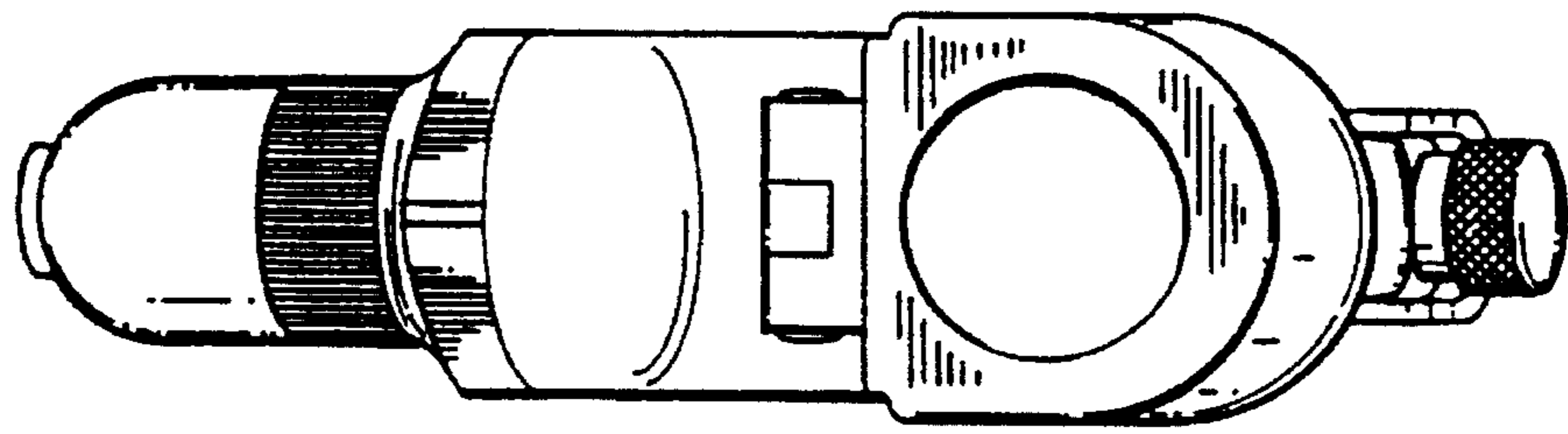


FIG. 4.

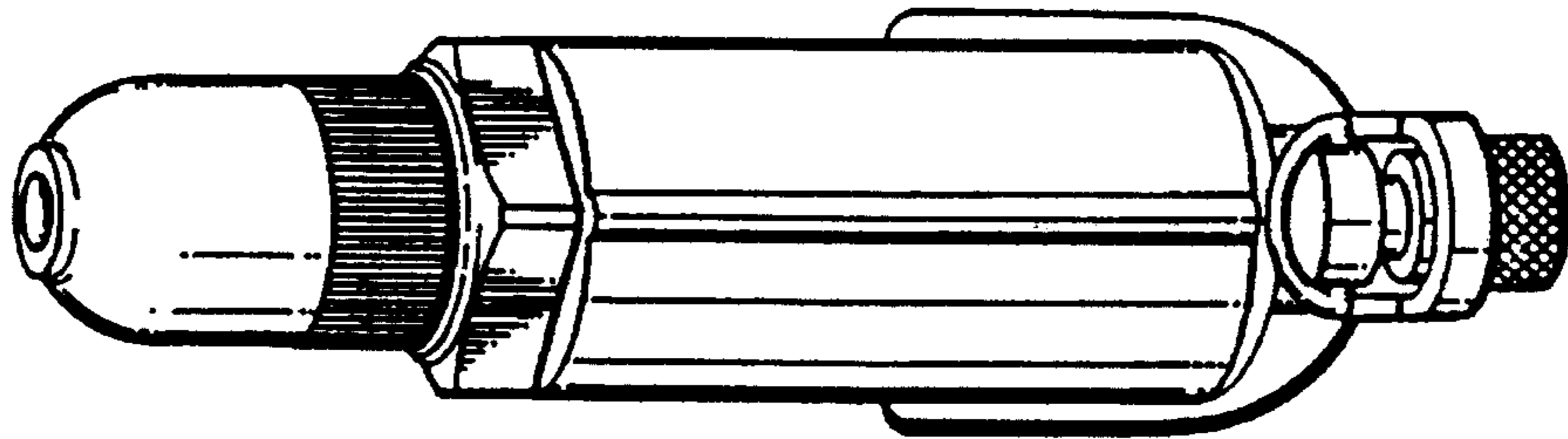


FIG. 5.

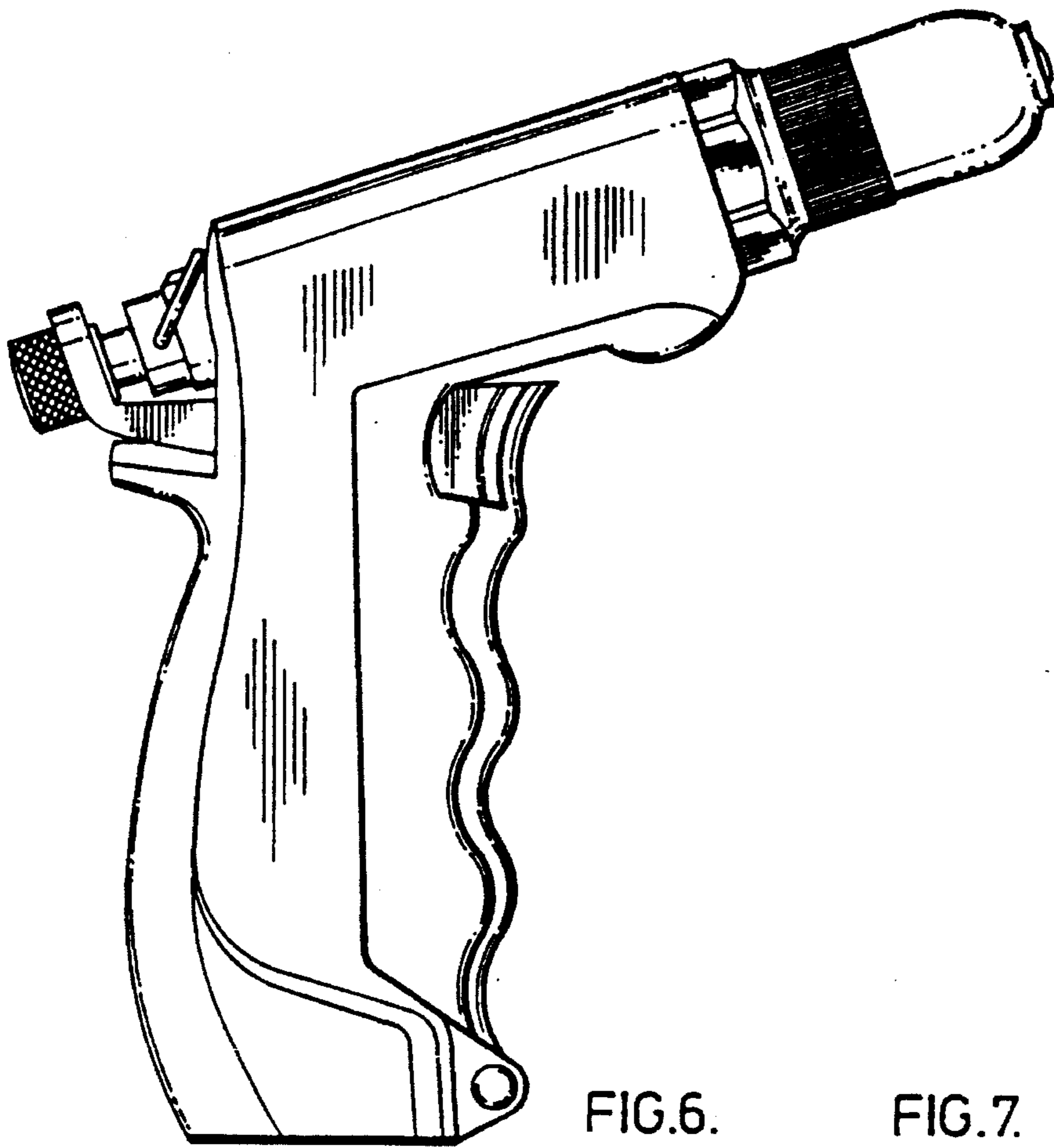


FIG. 6.

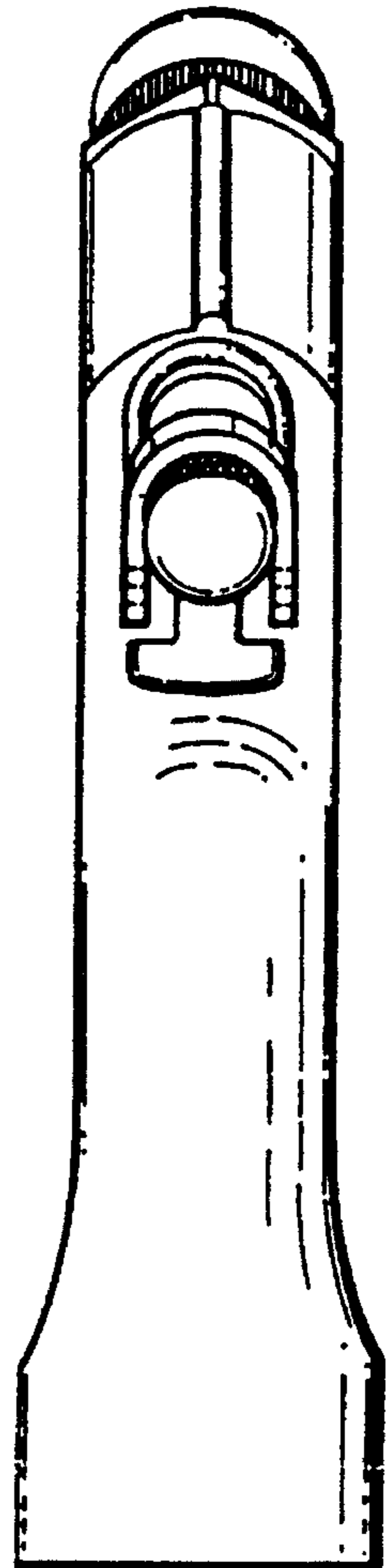


FIG. 7.

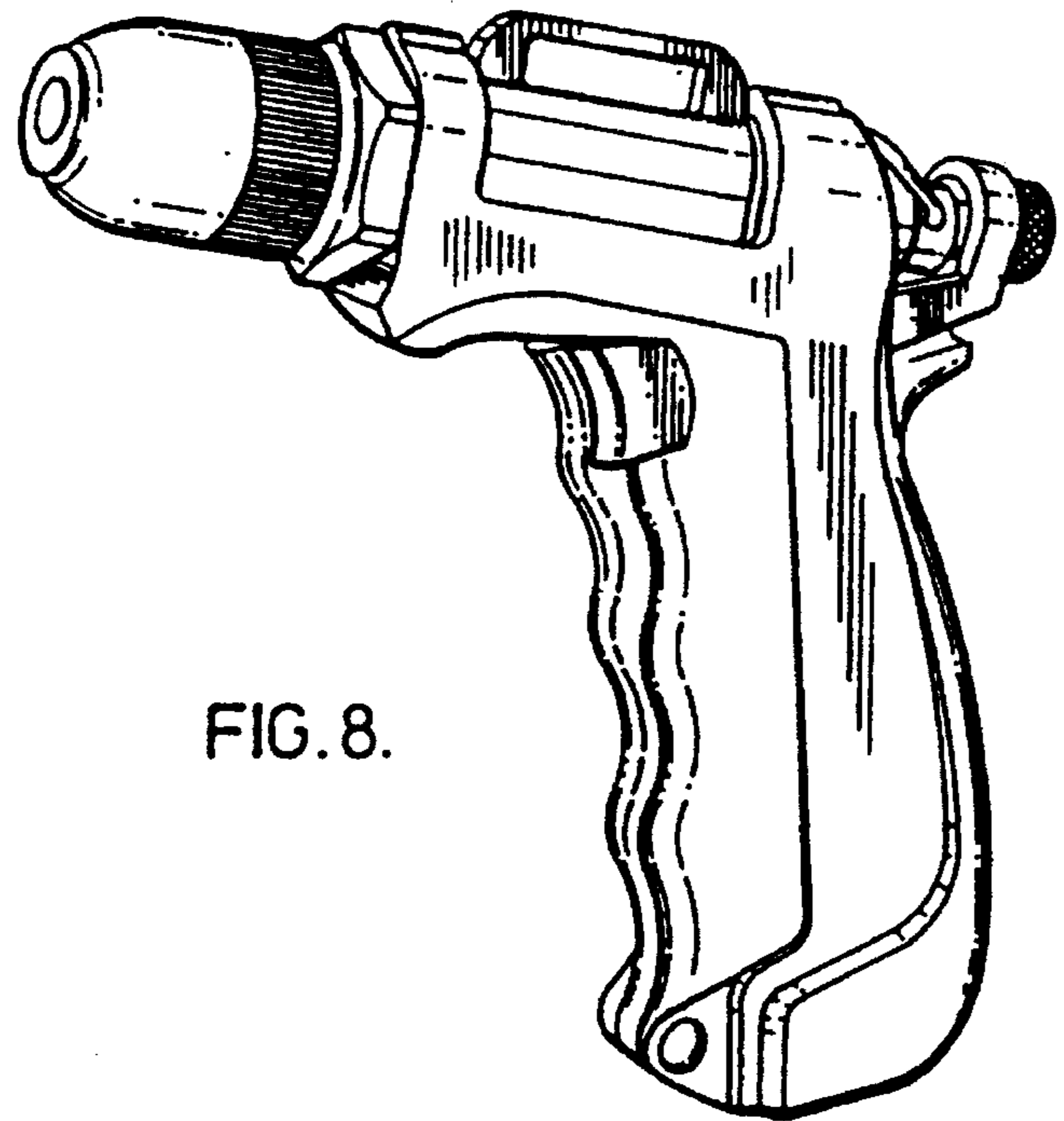


FIG. 8.

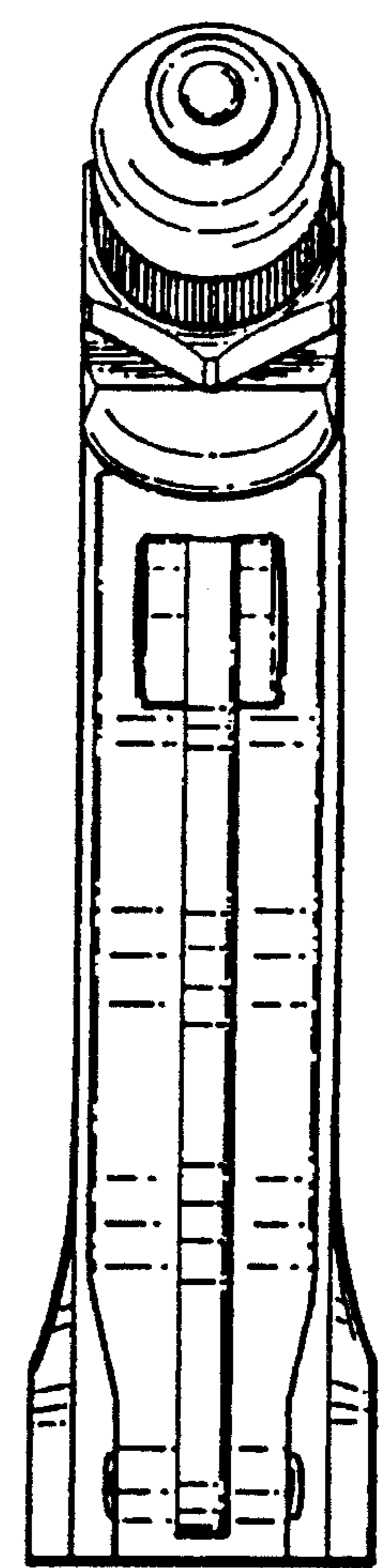


FIG. 9.

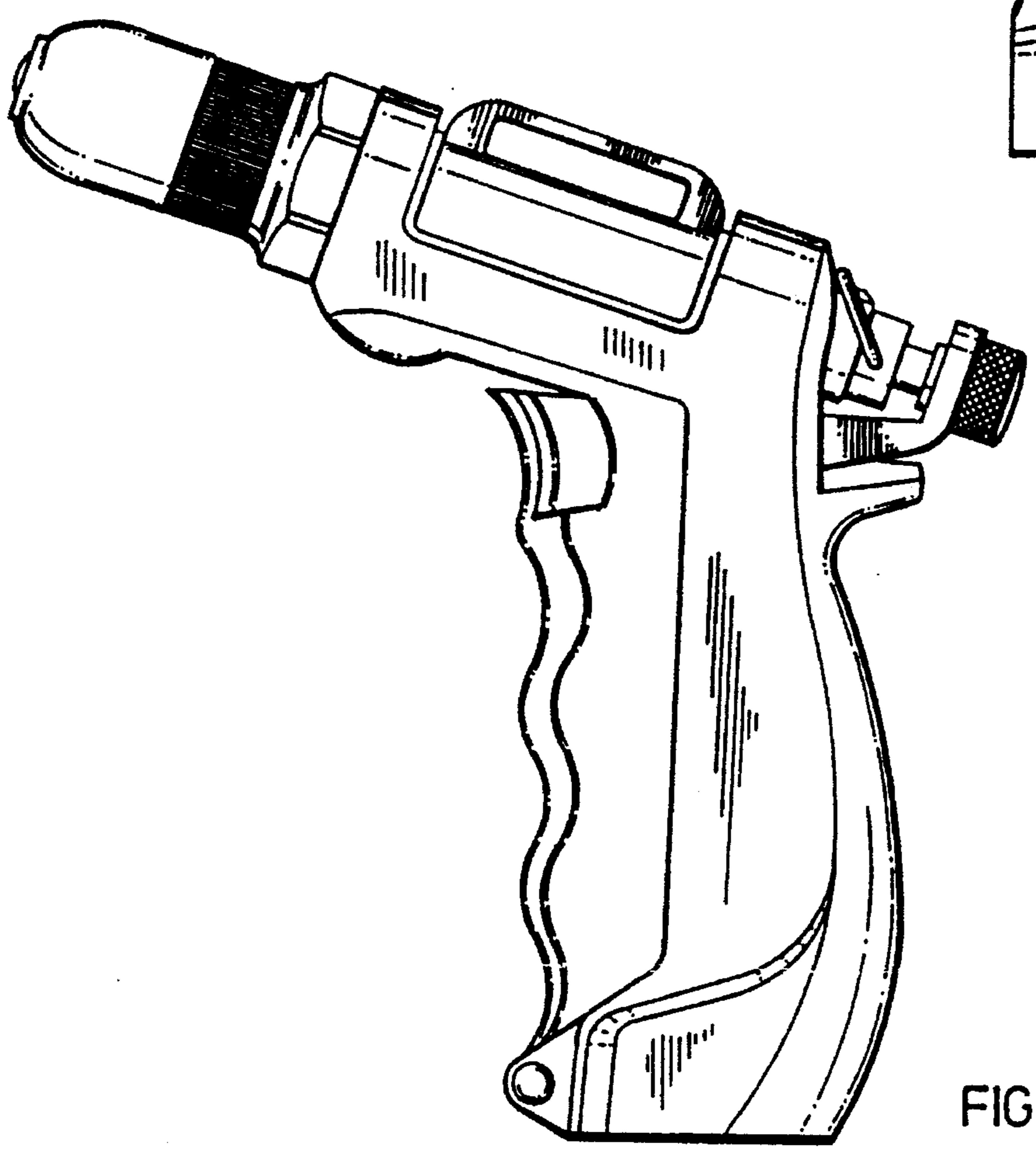


FIG. 10.

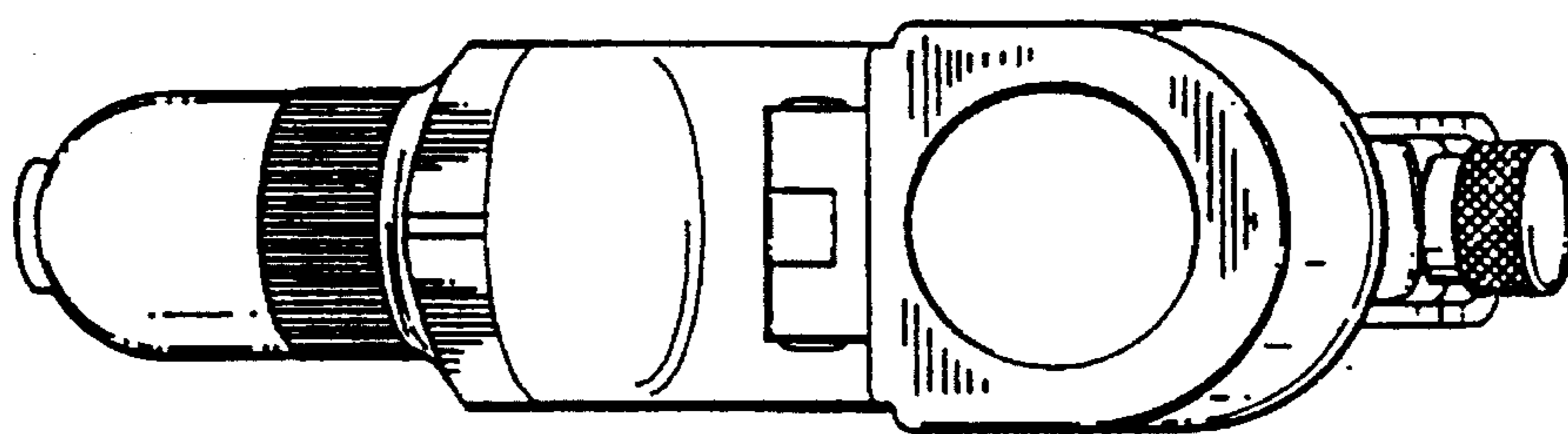


FIG. 11.

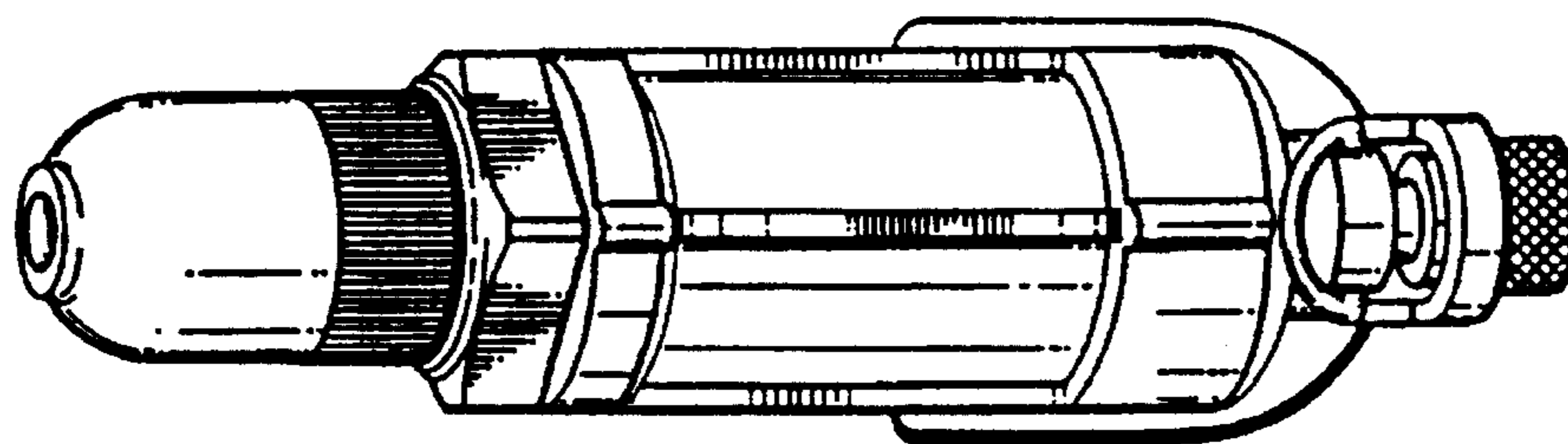


FIG. 12.

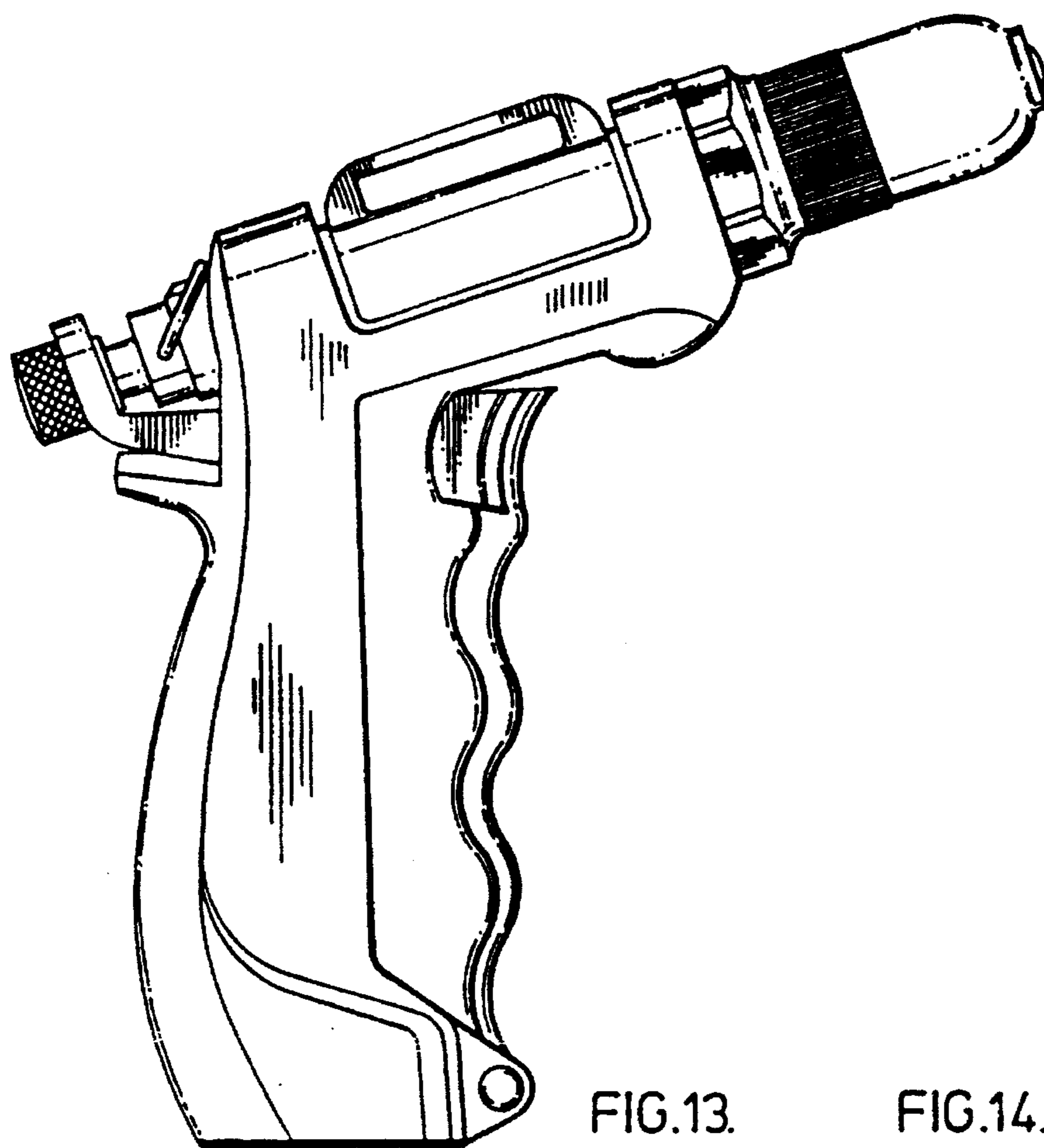


FIG. 13.

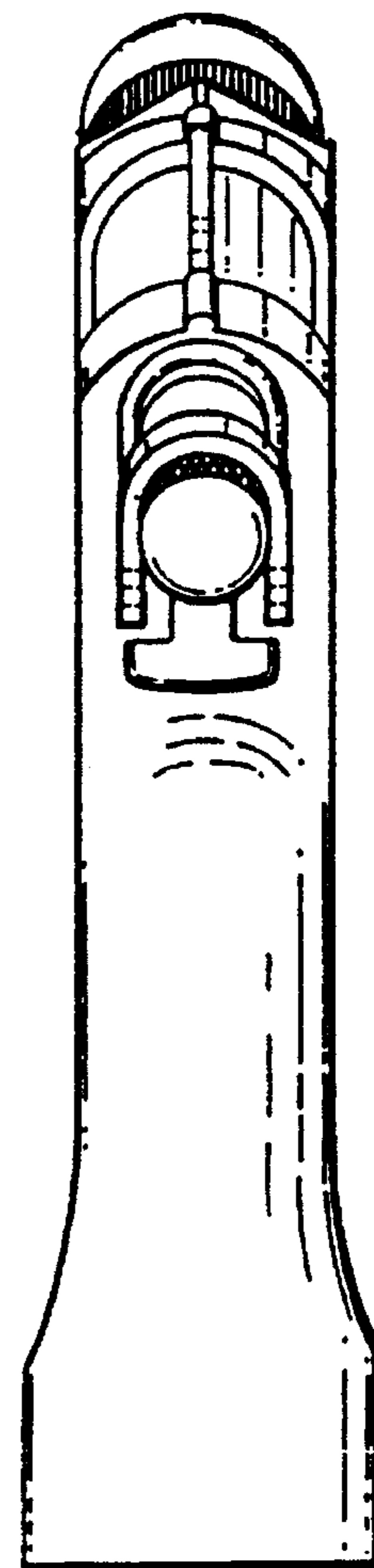


FIG. 14.