



US00D370960S

United States Patent [19]

[11] Patent Number: **Des. 370,960**

Bookstaver et al.

[45] Date of Patent: ****Jun. 18, 1996**

[54] **SANDBOX**

[75] Inventors: **Charles W. Bookstaver**, Olney, Ill.;
Frank Mercurio, Wallingford, Conn.

[73] Assignee: **Roadmaster Corporation**, Olney, Ill.

[**] Term: **14 Years**

[21] Appl. No.: **31,734**

[22] Filed: **Dec. 5, 1994**

[52] U.S. Cl. **D21/252**

[58] Field of Search D21/252; 446/70;
472/116, 117, 126, 128

1993 Little Tikes Product Catalog, pp. 63, 96, 98, and 2 additional pages (page numbers unclear).

Nov. 29, 1993 Swing-N-Slide 1994 Consumer Buying Guide, p. 24, sandbox.

Step 2 Product Catalog, undated, p. 20.

Primary Examiner—Ted Shooman

Assistant Examiner—Mitchell I. Siegel

Attorney, Agent, or Firm—William Brinks Hofer Gilson & Lione

[56] References Cited

U.S. PATENT DOCUMENTS

D. 222,590	11/1971	Chase	D21/243
D. 280,436	9/1985	Mariol	D21/252
D. 308,088	5/1990	Mariol	D21/252
D. 311,432	10/1990	Cattoni	D21/252
D. 313,058	12/1990	Wehmeyer	D21/252
D. 334,789	4/1993	Fish, Jr.	D21/252
D. 346,421	4/1994	Martin et al.	D21/252
D. 358,627	5/1995	Monneret	D21/244
1,865,810	7/1932	Albach	472/126
4,515,360	5/1985	Mariol	272/1

OTHER PUBLICATIONS

- 1971 Sears Wish Book Catalog, p. 135; shade steel sandbox.
- 1989 Fisher-Price Toyfair Catalog, p. 62.
- 1991 Sears Spring/Summer Catalog, p. 1392 Items 5 and 6.
- 1992 Sears Annual Catalog, p. 962, Item C.

[57] CLAIM

The ornamental design for a sandbox, as shown and described.

DESCRIPTION

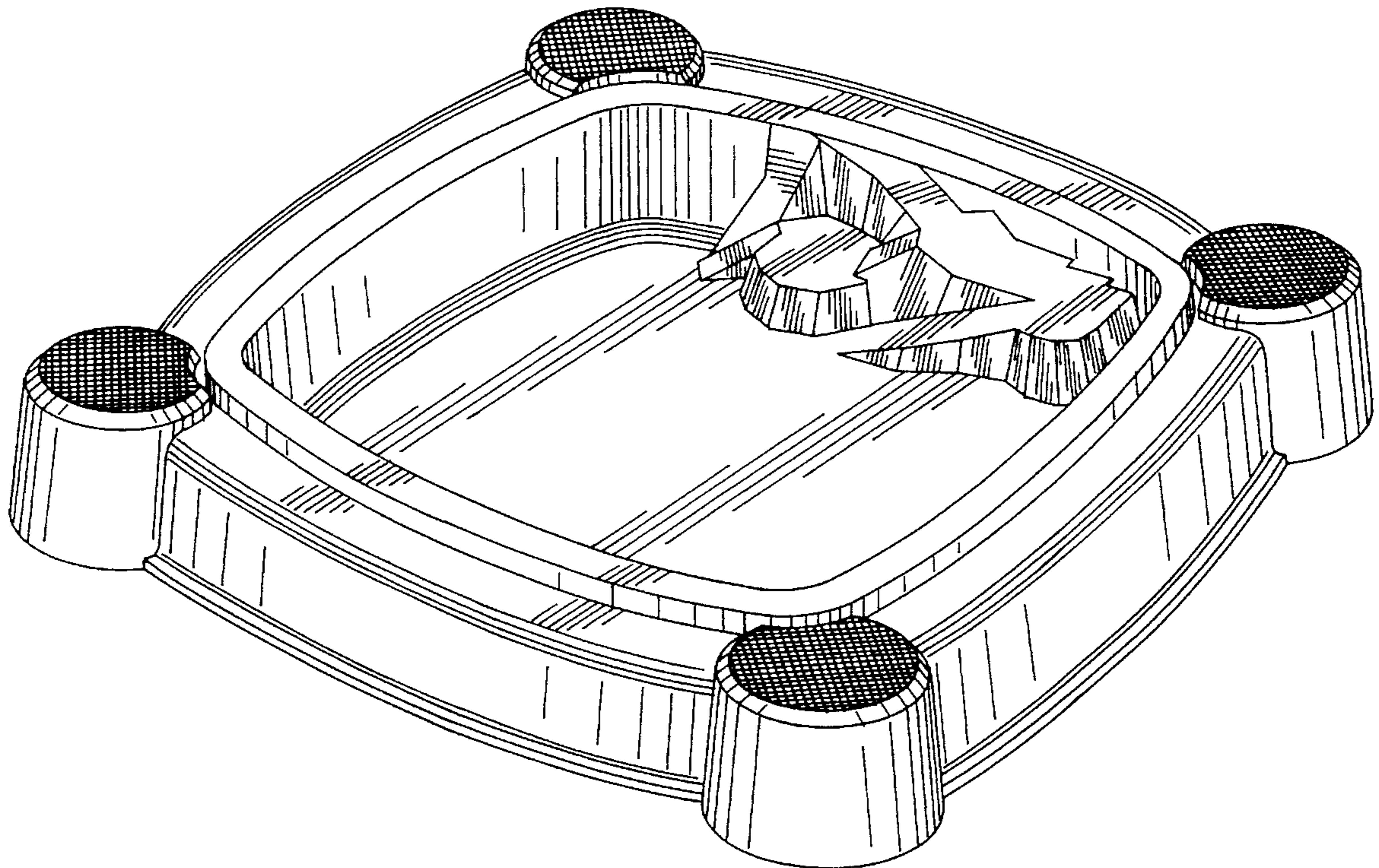
FIG. 1 is a perspective view of a sandbox showing our new design;

FIG. 2 is a top view thereof;

FIG. 3 is a side view thereof, the undisclosed sides being identical; and,

FIG. 4 is a bottom view thereof.

1 Claim, 3 Drawing Sheets



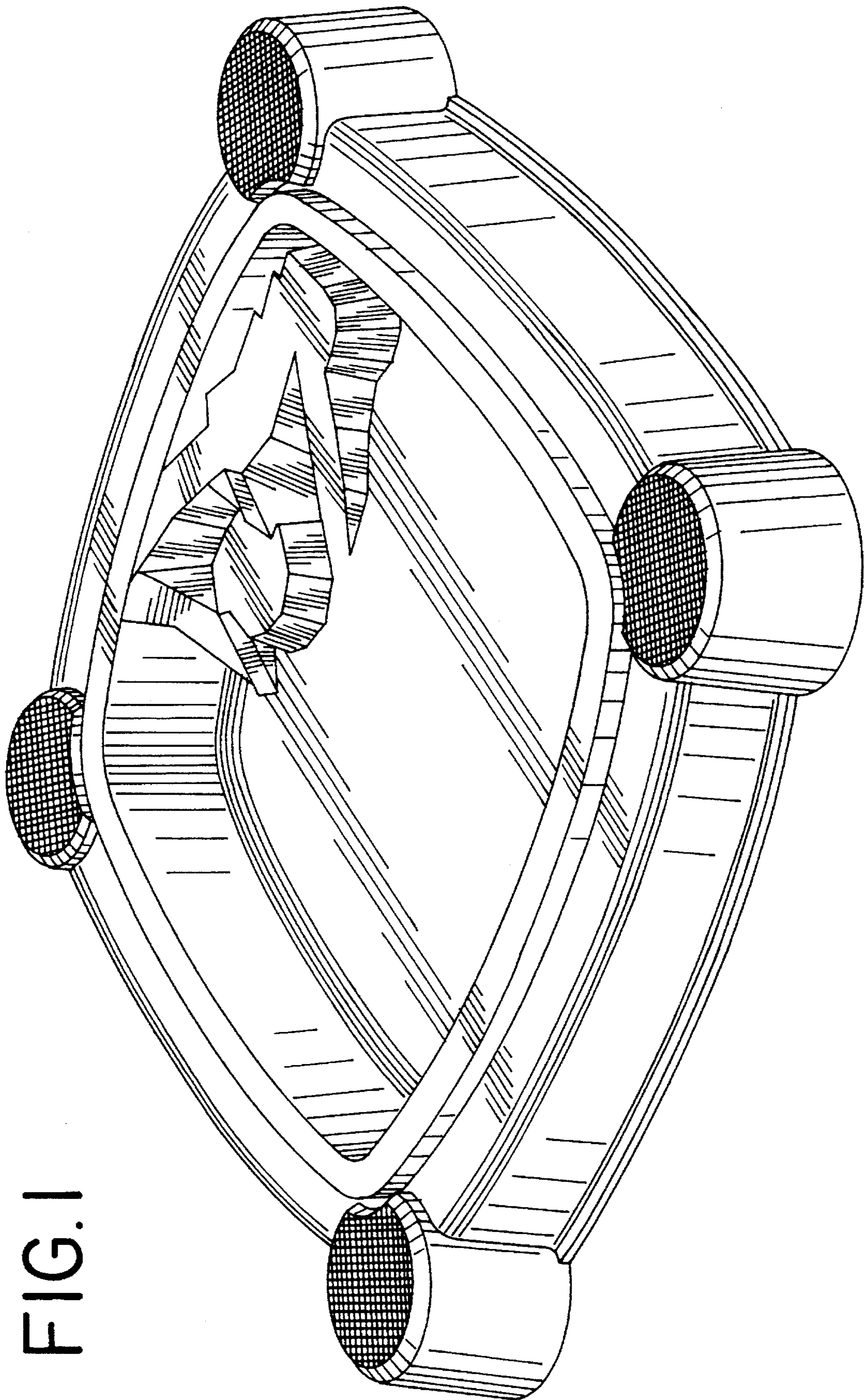


FIG. 1

FIG. 2

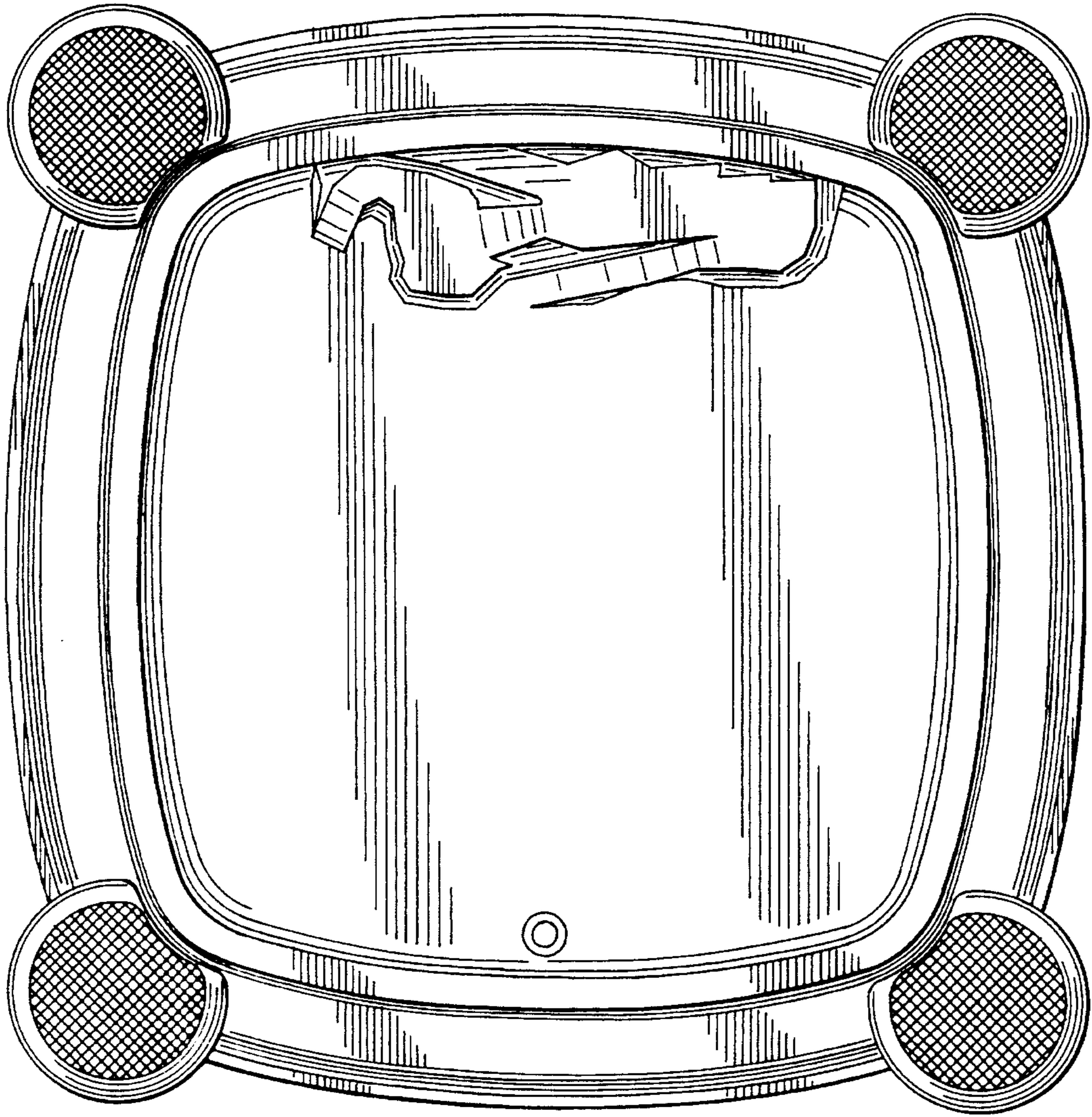


FIG. 3

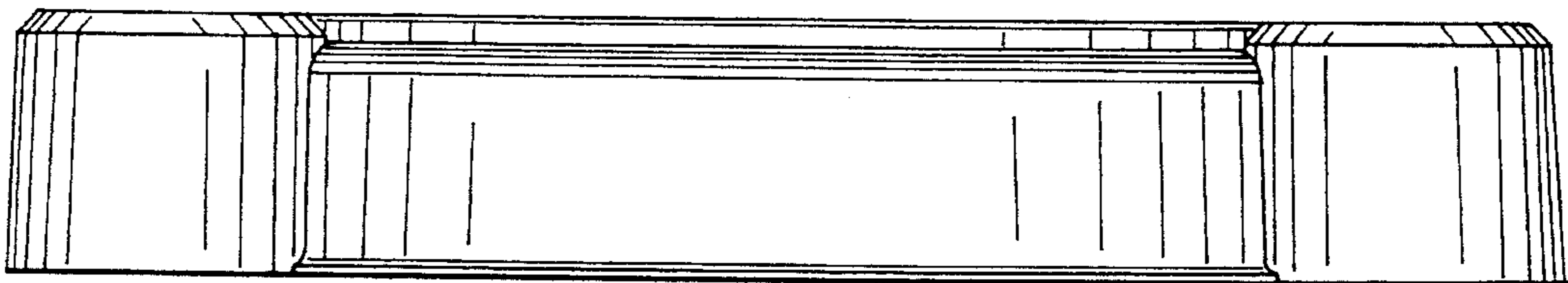


FIG.4

