



US00D370956S

# United States Patent [19]

Pery

[11] Patent Number: **Des. 370,956**

[45] Date of Patent: **\*\*Jun. 18, 1996**

[54] **WATER HAMMOCK**

[75] Inventor: **Michael L. Pery**, Wichita Falls, Tex.

[73] Assignee: **Texas Recreation Corporation**,  
Wichita Falls, Tex.

[\*\*] Term: **14 Years**

[21] Appl. No.: **32,979**

[22] Filed: **Jan. 3, 1995**

[52] U.S. Cl. .... **D21/237; D6/333**

[58] Field of Search ..... **D6/333, 390, 391;**  
**D21/236, 237; 441/129, 130; 482/55, 56**

[56] **References Cited**

**U.S. PATENT DOCUMENTS**

D. 273,966	5/1984	Piel	.....	D21/237
D. 353,494	12/1994	Beger	.....	D6/333
3,161,897	12/1964	Hill	.....	441/130
4,286,344	9/1981	Ikeda	.....	5/420
4,634,393	1/1987	Wood	.....	441/129
5,273,473	12/1993	Allen	.....	D21/237 X

*Primary Examiner*—Janice E. Seeger  
*Attorney, Agent, or Firm*—Dennis T. Griggs

[57] **CLAIM**

The ornamental design for a water hammock, as shown and described.

**DESCRIPTION**

FIG. 1 is a perspective view of a water hammock which illustrates my new design:

FIG. 2 is a right side elevational view thereof, the left side elevational view being a mirror image thereof;

FIG. 3 is a top plan view thereof, the bottom plan view being a mirror image thereof;

FIG. 4 is a front elevational view thereof, the rear elevational view being a mirror image thereof;

FIG. 5 is a perspective view of a water hammock which illustrates a first alternative embodiment of my new design;

FIG. 6 is a right side elevational view thereof, the left side elevational view being a mirror image thereof;

FIG. 7 is a top plan view thereof, the bottom plan view being a mirror image thereof;

FIG. 8 is a front elevational view thereof, the rear elevational view being a mirror image thereof;

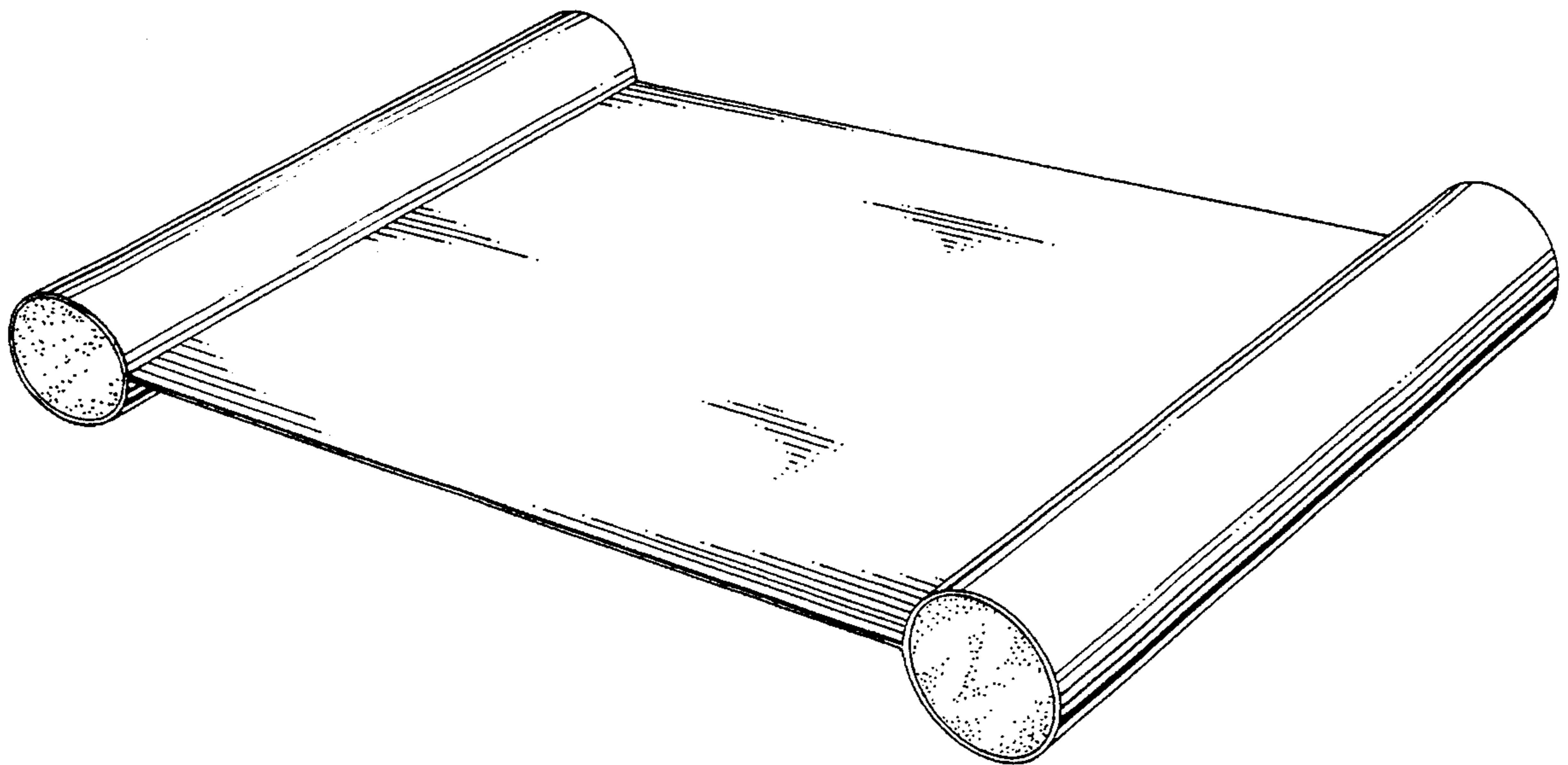
FIG. 9 is a perspective view of a water hammock which illustrates a second alternative embodiment of my new design;

FIG. 10 is a right side elevational view thereof, the left side elevational view being a mirror image thereof;

FIG. 11 is a top plan view thereof, the bottom plan view being a mirror image thereof; and,

FIG. 12 is a front elevational view thereof, the rear elevational view being a mirror image thereof.

**1 Claim, 6 Drawing Sheets**



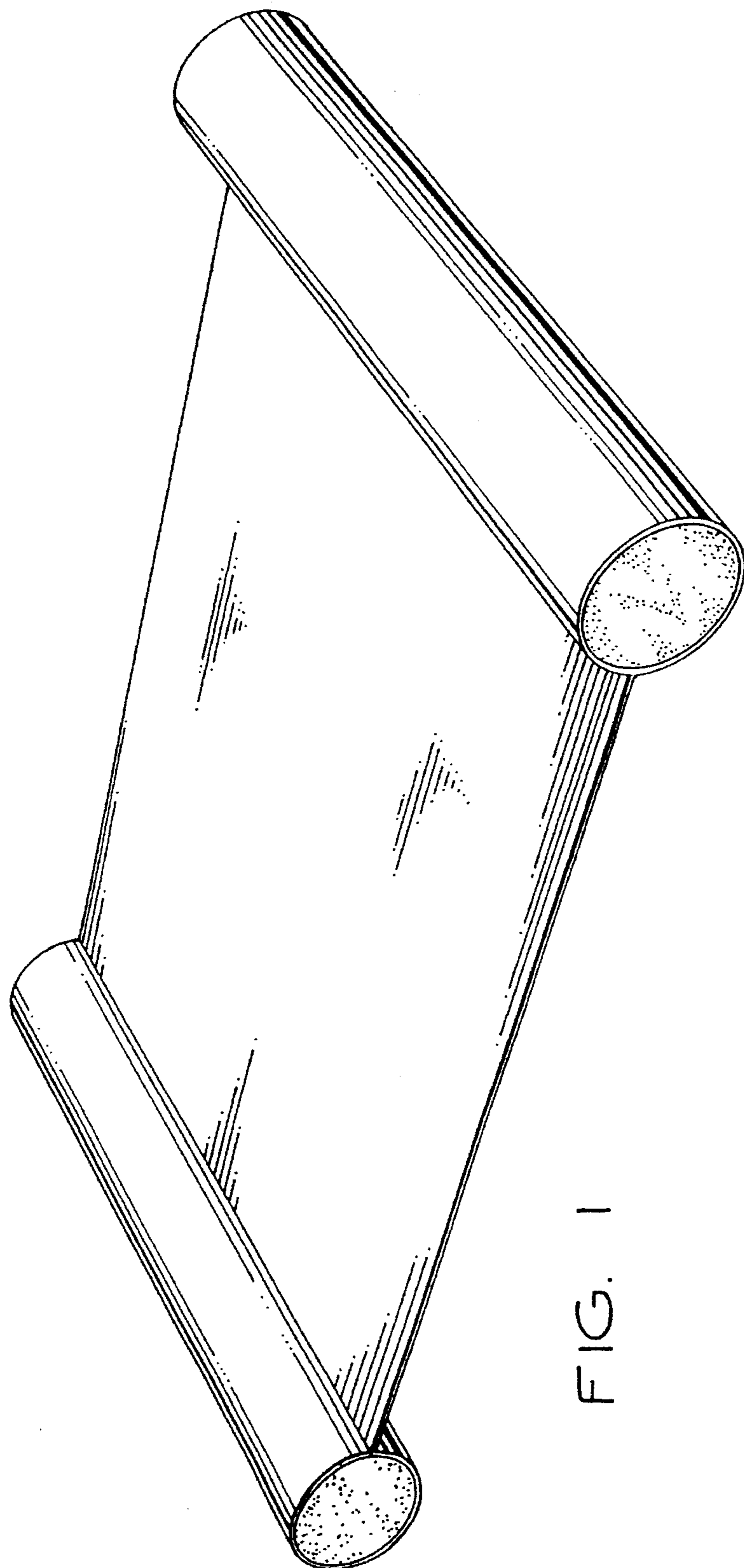


FIG. 1

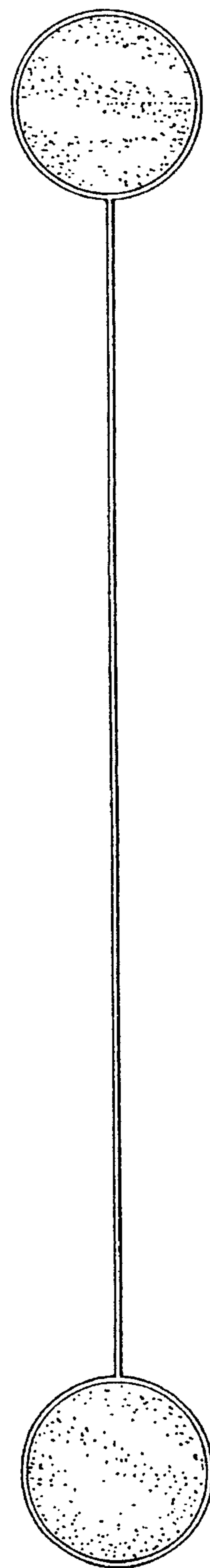


FIG. 2

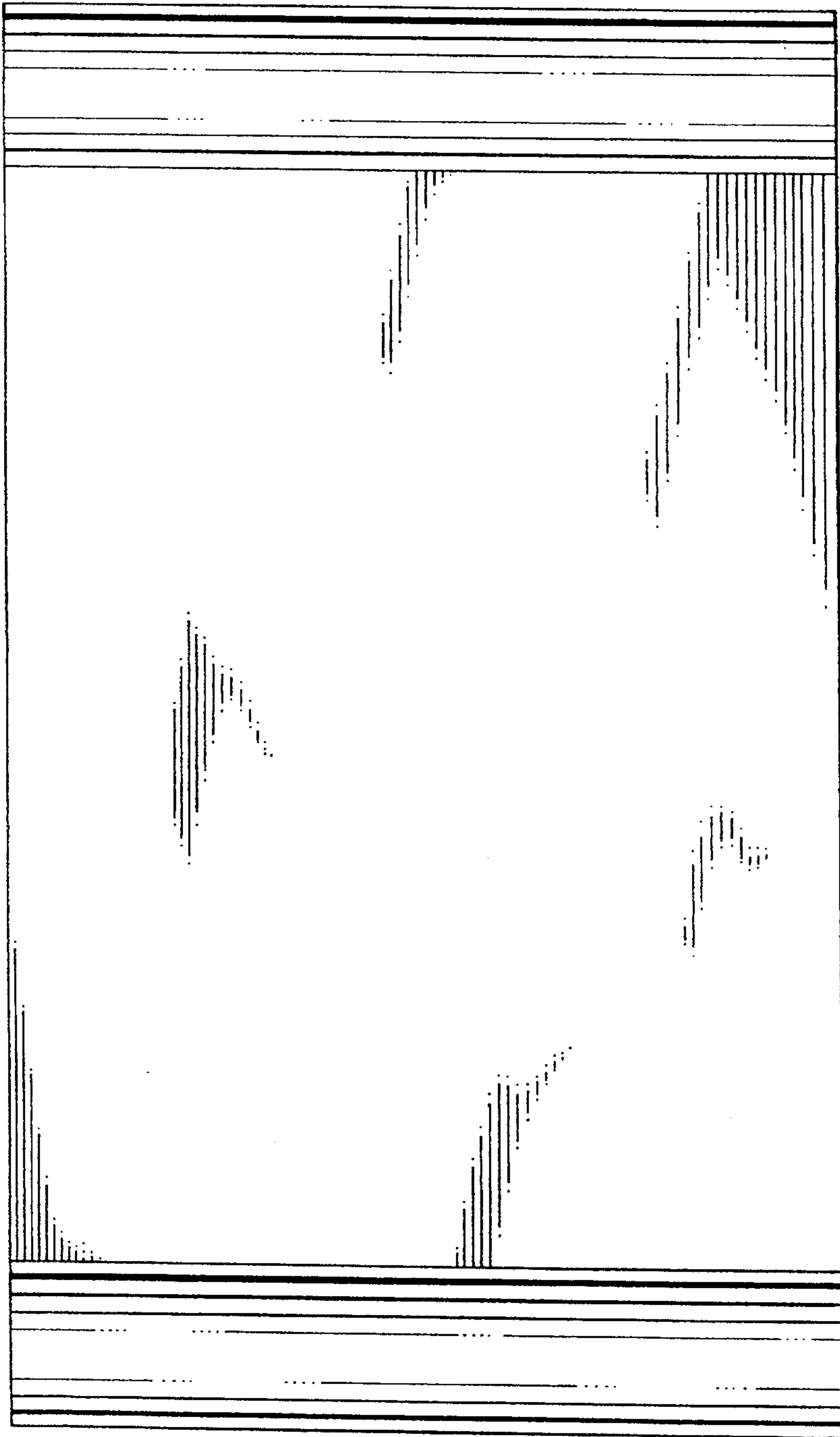


FIG. 3

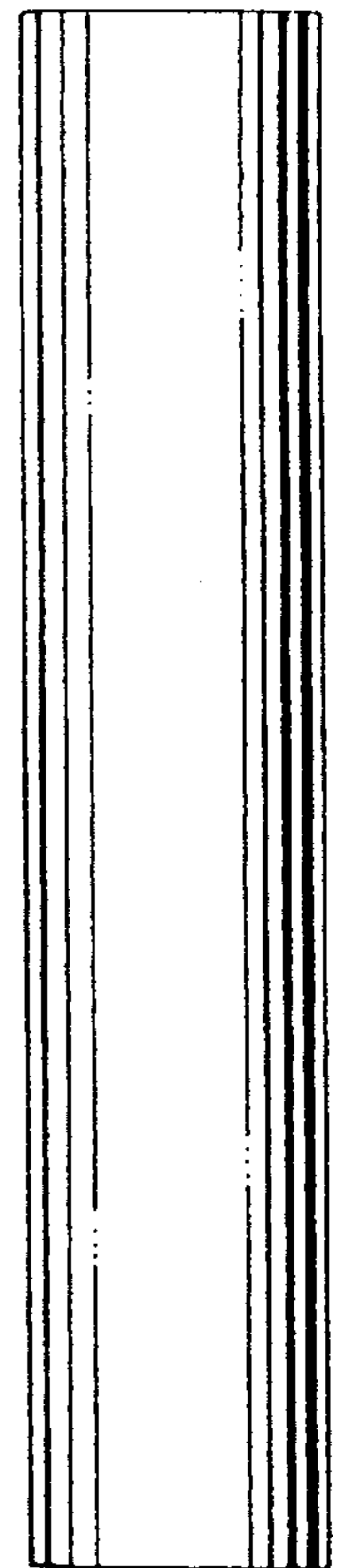


FIG. 4



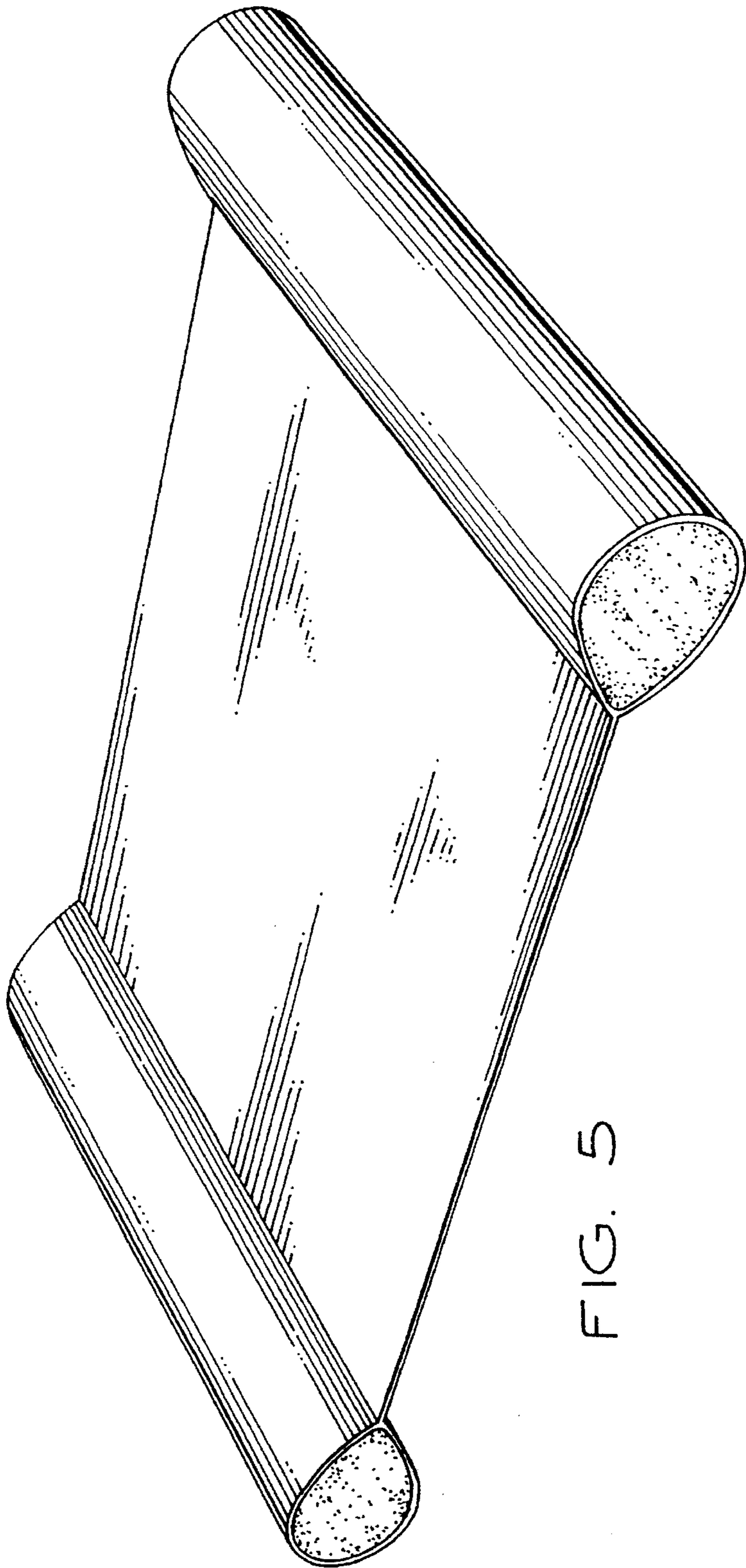


FIG. 5

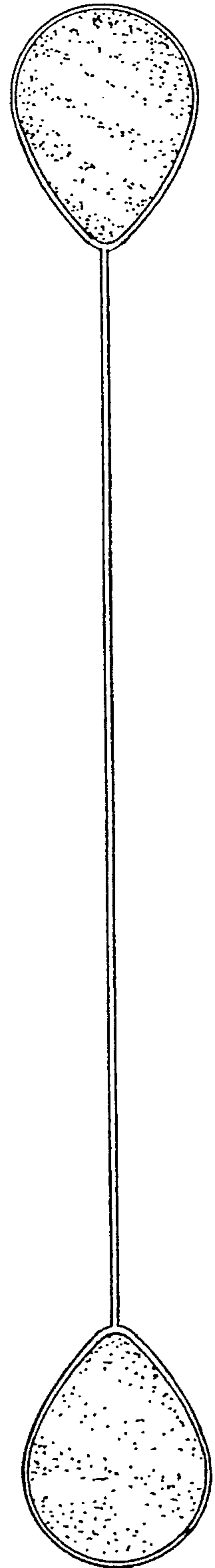


FIG. 6

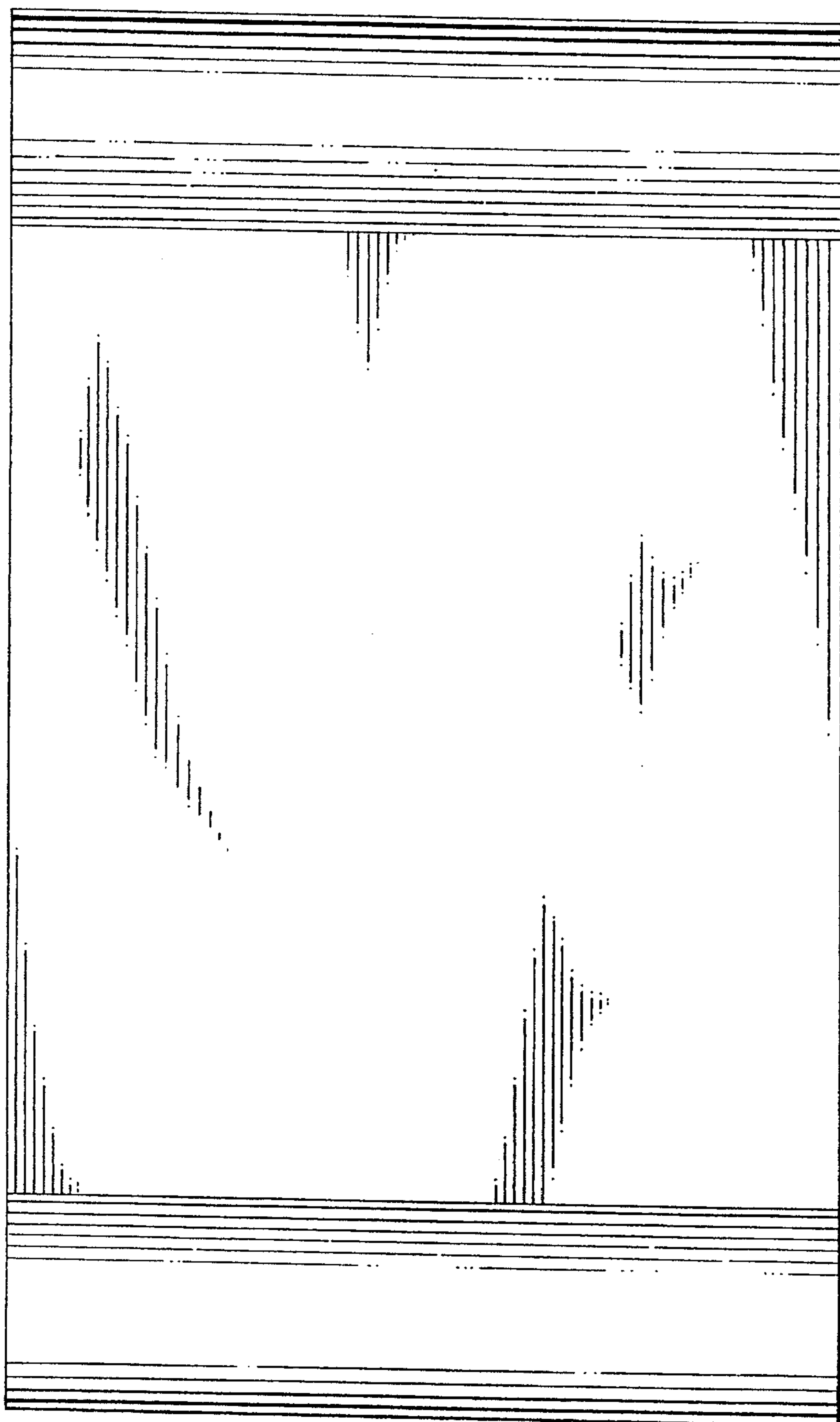


FIG. 7

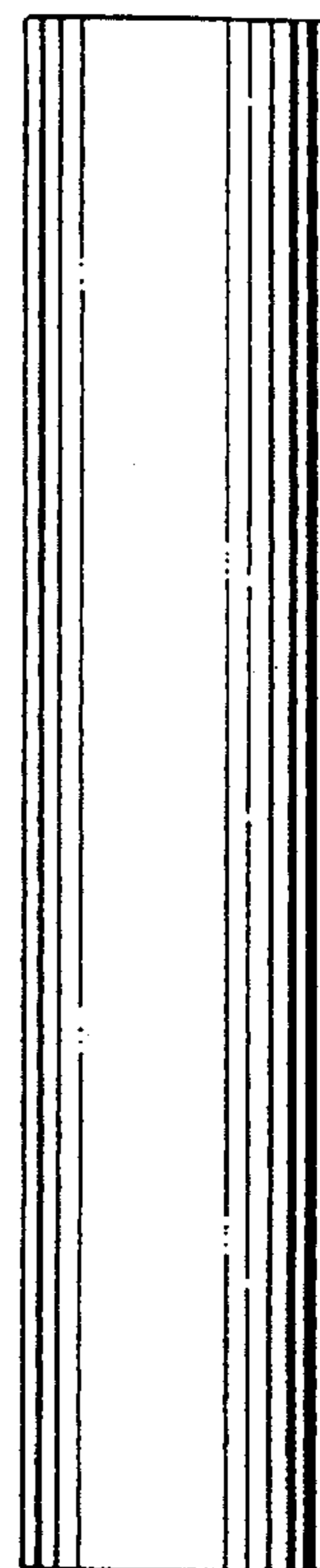


FIG. 8

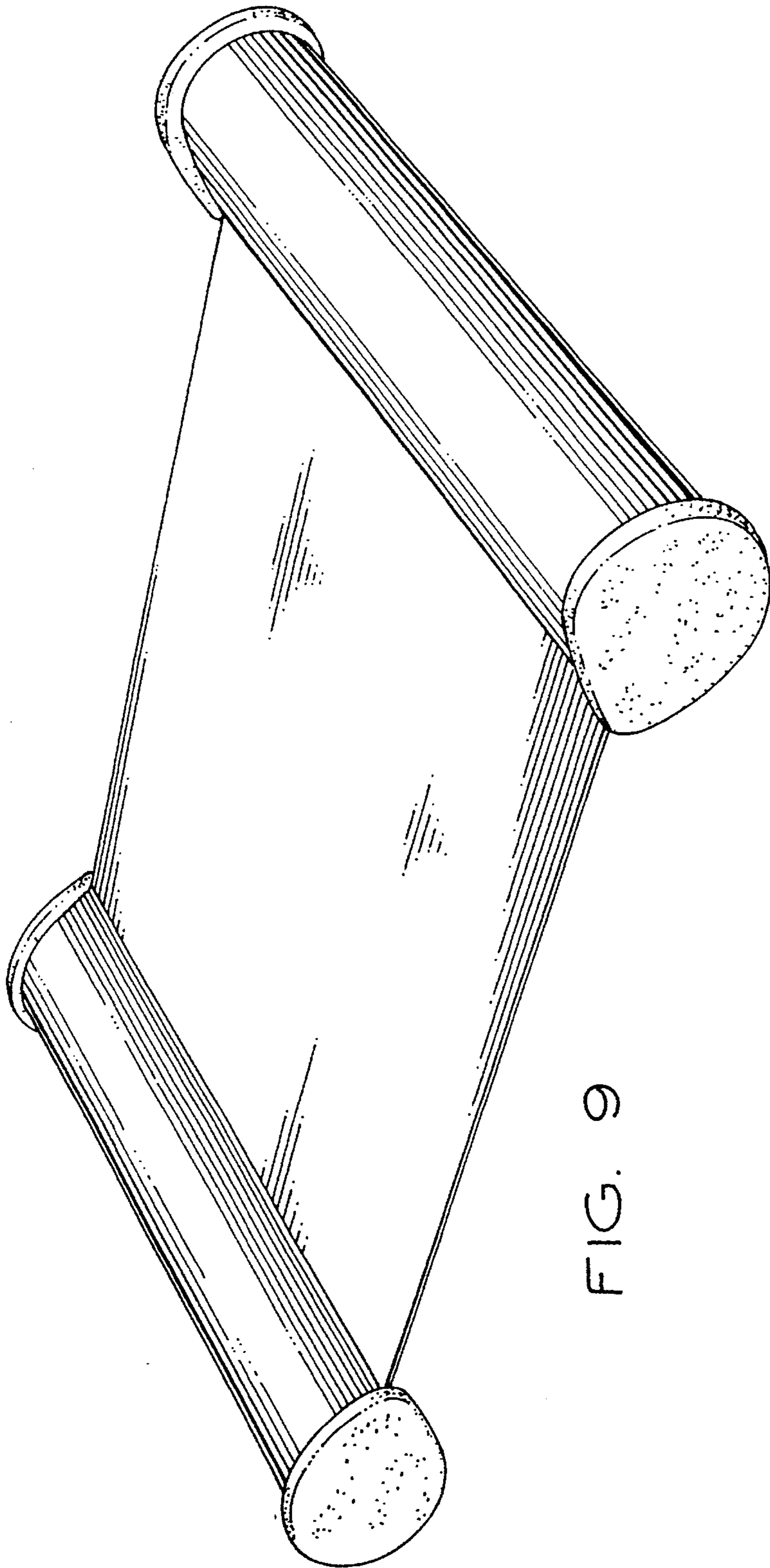


FIG. 9

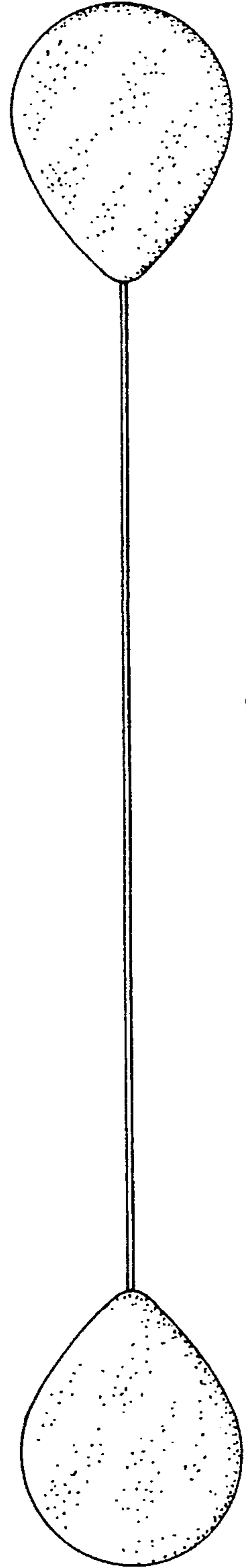


FIG. 10

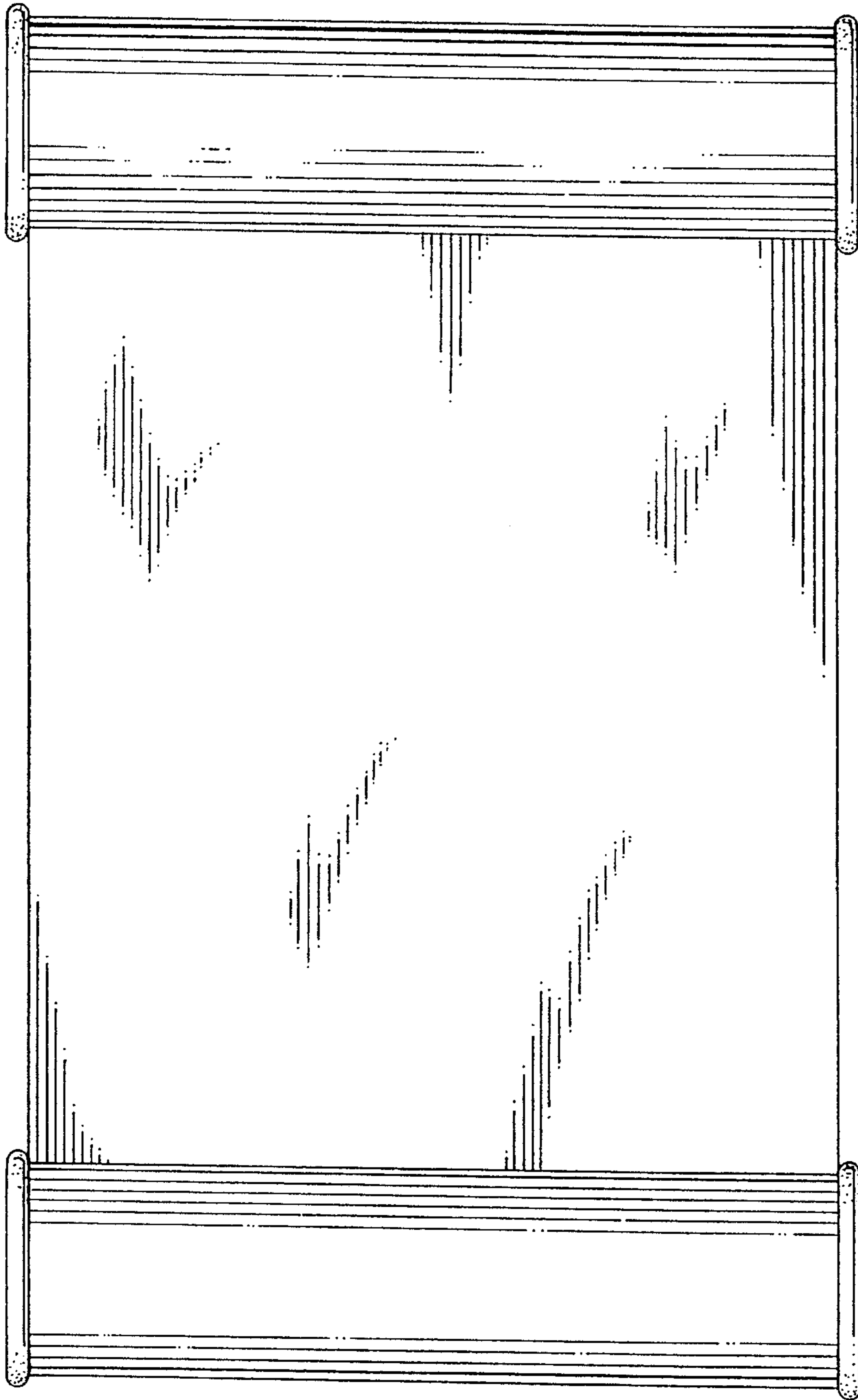


FIG. 11

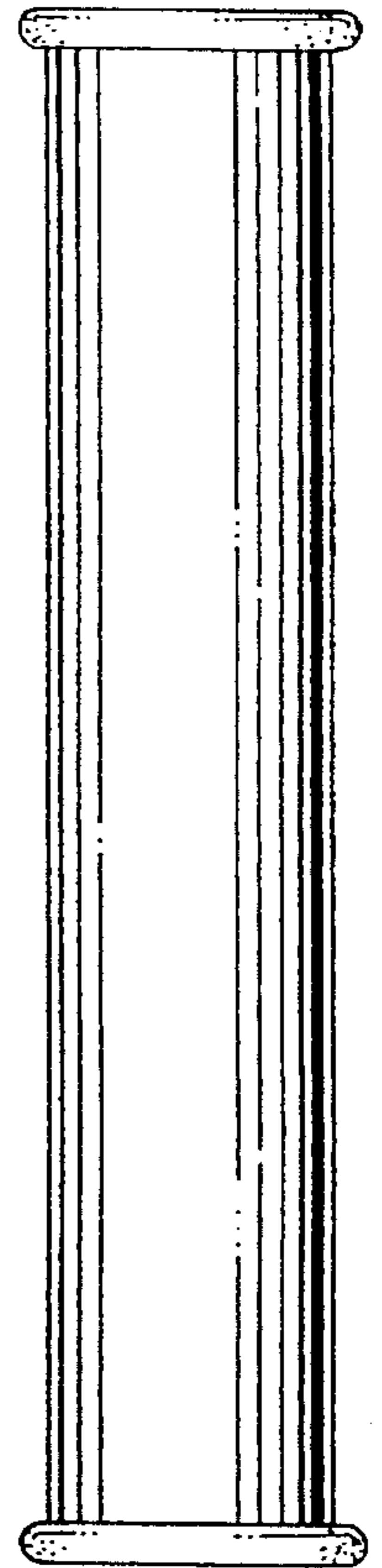


FIG. 12

UNITED STATES PATENT AND TRADEMARK OFFICE  
**CERTIFICATE OF CORRECTION**

PATENT NO. : Des. 370,956  
DATED : June 18, 1996  
INVENTOR(S) : Michael L. Perry

It is certified that error appears in the above-identified patent and that said Letters Patent is hereby corrected as shown below:

Title page item [75], inventor's name should read

-- Michael L. Perry --

Signed and Sealed this  
Twenty-seventh Day of August, 1996

Attest:



BRUCE LEHMAN

Attesting Officer

Commissioner of Patents and Trademarks