



US00D370955S

United States Patent [19]

[11] Patent Number: **Des. 370,955**

Fisher

[45] Date of Patent: ****Jun. 18, 1996**

[54] **REVERSE TAPER BILLIARD CUE BUTT PORTION**

[76] Inventor: **Frank Fisher**, 429 W. Maple St., Johnson City, Tenn. 37601

[**] Term: **14 Years**

[21] Appl. No.: **30,915**

[22] Filed: **Nov. 14, 1994**

[52] U.S. Cl. **D21/232**

[58] Field of Search **D21/232; 273/1, 273/44-51**

[56] **References Cited**

U.S. PATENT DOCUMENTS

298,111	5/1884	Morse	473/47 X
D. 361,113	8/1995	Janes	D21/232
846,166	3/1907	Thomas	473/49
970,172	9/1910	Bloom et al.	473/44 X
1,022,172	4/1912	Benhoff	473/49
1,527,748	2/1925	Rambow	473/47
3,368,271	2/1968	Sheffler	473/44 X
3,462,147	8/1969	Mancuso	473/44

OTHER PUBLICATIONS

Victor Billiard Co, 1949, p. 9.

Coleco Cat, Oct. 1969.

Primary Examiner—Prabhakar G. Deshmukh
Attorney, Agent, or Firm—M. Alex Brown

[57] **CLAIM**

The ornamental design for a reverse taper billiard cue butt portion, as shown and described.

DESCRIPTION

FIG. 1 is a perspective view of a reverse taper billiard cut

butt portion showing my new design, the broken line showing of the forward shaft portion of a cue stick is for illustrative purposes only and forms no part of the claimed design;

FIG. 2 is an enlarged, scale sectional elevational view taken along line 2—2 of FIG. 1;

FIG. 3 is an enlarged scale bottom plan view of FIG. 1, in the same enlarged scale as FIG. 2; for clarity;

FIG. 4 is an enlarged scale top plan view of FIG. 1, in the same enlarged scale as FIG. 2; for clarity;

FIG. 5 is a front elevational view thereof; the rear elevational view being a mirror image thereof, the broken line showing of the shaft portion of a cue stick is for illustrative purposes only and forms no part of the claimed design;

FIG. 6 is an enlarged scale sectional elevational view taken along line 6—6 of FIG. 5;

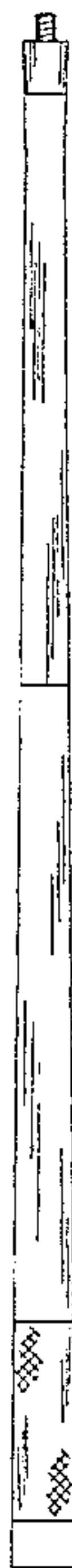
FIG. 7 is a right side elevational view of a second embodiment of FIG. 1; the left side elevational view being a mirror image thereof, the broken line showing of the forward shaft portion of a cue stick is for illustrative purposes only and forms no part of the claimed design; and,

FIG. 8 is an enlarged scale sectional elevational view taken along line 8—8 of FIG. 7.

The broken lines depicting the shaft portion of a billiard cue stick in FIGS. 1, 5 and 7 have been shown for illustration/environment purposes only and form no part of the claimed design.

The views in FIGS. 2, 3, 4, 6 and 8 are shown in an enlarged scale for clarity.

1 Claim, 3 Drawing Sheets



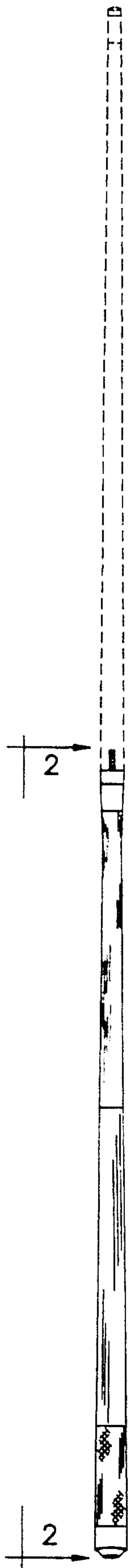


FIG. 1



FIG. 2



FIG. 4

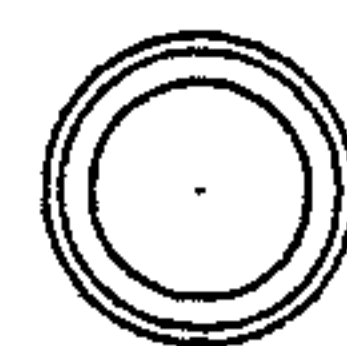


FIG. 3

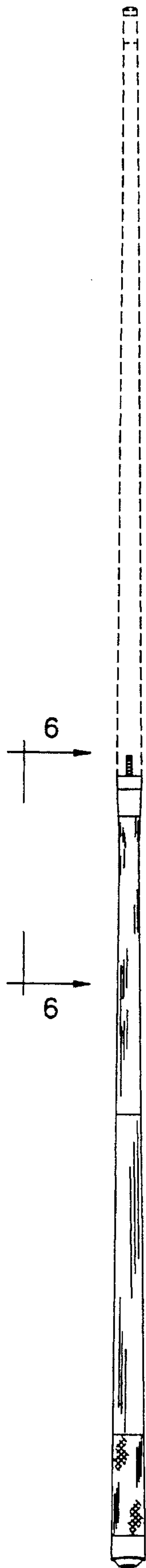


FIG. 5



FIG. 6

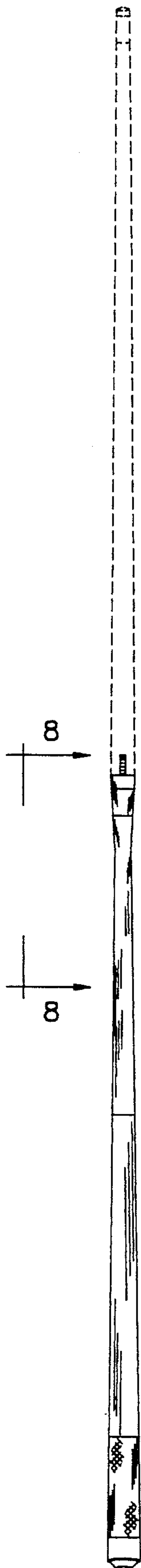


FIG. 7



FIG. 8