



US00D370950S

United States Patent [19]

[11] Patent Number: **Des. 370,950**

Webber

[45] Date of Patent: ****Jun. 18, 1996**

[54] **EXERCISE MACHINE**

[75] Inventor: **Randall T. Webber**, San Diego, Calif.

[73] Assignee: **Fitness Warehouse, Inc.**, San Diego, Calif.

[**] Term: **14 Years**

[21] Appl. No.: **24,397**

[22] Filed: **Jun. 14, 1994**

[52] U.S. Cl. **D21/195**

[58] Field of Search **D21/191, 195;**
 482/92, 93, 94, 95, 96, 97, 98, 99, 138,
 100

4,986,538 1/1991 Ish, III 272/134
 5,120,289 6/1992 Yu 482/138
 5,211,614 5/1993 Henes 482/138
 5,236,406 8/1993 Webber 482/100

OTHER PUBLICATIONS

Lever Weight System 15-7950 brochure, Diversified Products, 2 pages.
 Studio 6 Deluxe Home Gym brochure, BFCO, 1 page.
 At-6000 Home Gym brochure, Atech Industries, Inc., 1 page.

Primary Examiner—Philip S. Hyder
Attorney, Agent, or Firm—Brown, Martin, Haller & McClain

[56] References Cited

U.S. PATENT DOCUMENTS

D. 301,597 6/1989 Lehtonen D21/195
 D. 303,558 9/1989 Alessandri D21/195
 D. 306,053 2/1990 Beistegui D21/195
 D. 324,710 3/1992 Habing D21/195
 D. 330,238 10/1992 Desiderio D21/195
 D. 347,040 5/1994 Wang D21/195
 4,691,916 9/1987 Vorns 482/98
 4,915,377 4/1990 Malnke et al. 482/98
 4,964,632 10/1990 Rockwell 482/138

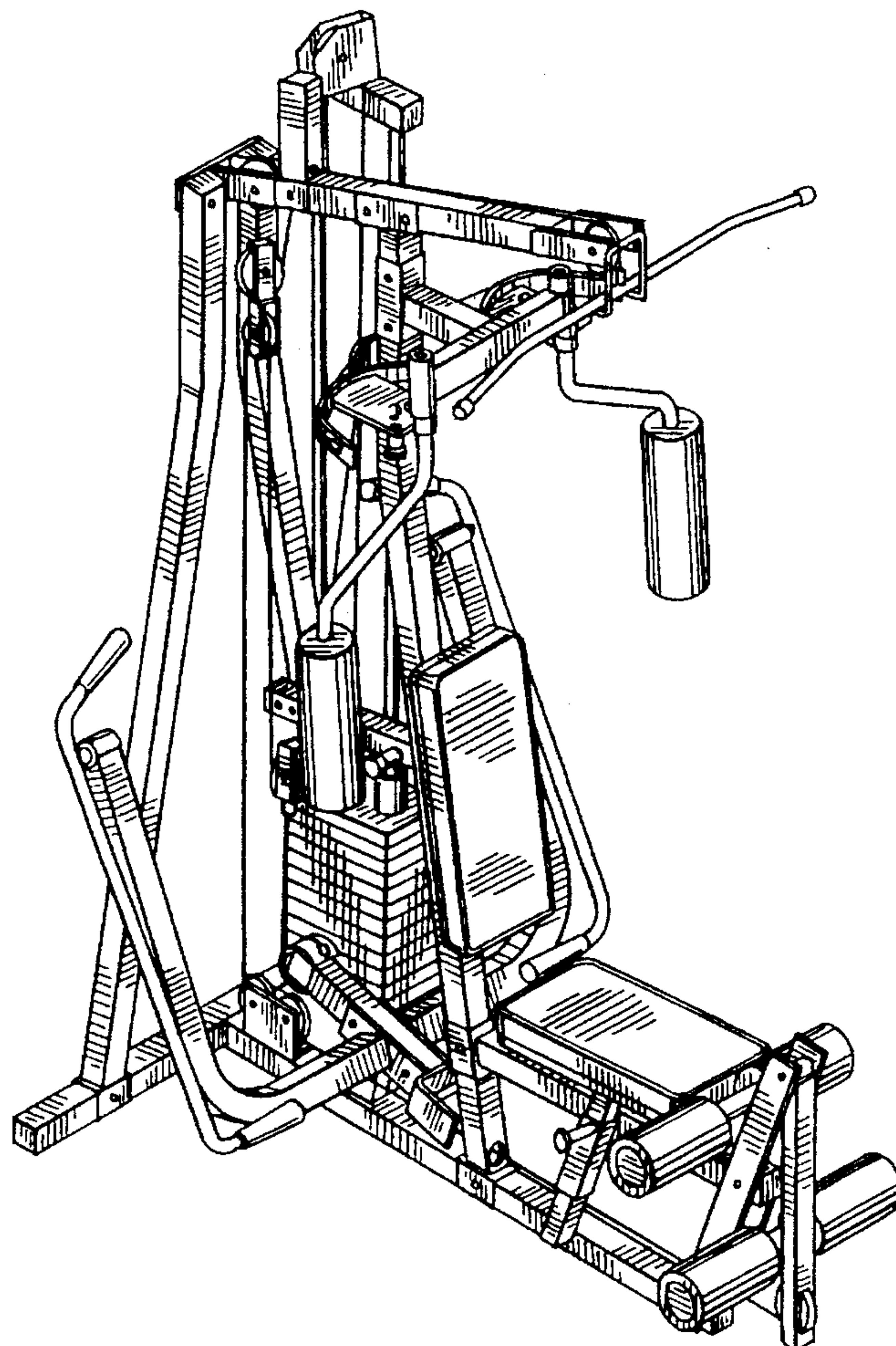
[57] CLAIM

The ornamental design for an exercise machine, as shown.

DESCRIPTION

FIG. 1 is a perspective view of an exercise machine showing my new design;
 FIG. 2 is a side elevational view thereof;
 FIG. 3 is a rear elevational view thereof; and,
 FIG. 4 is a top plan view thereof.

1 Claim, 2 Drawing Sheets



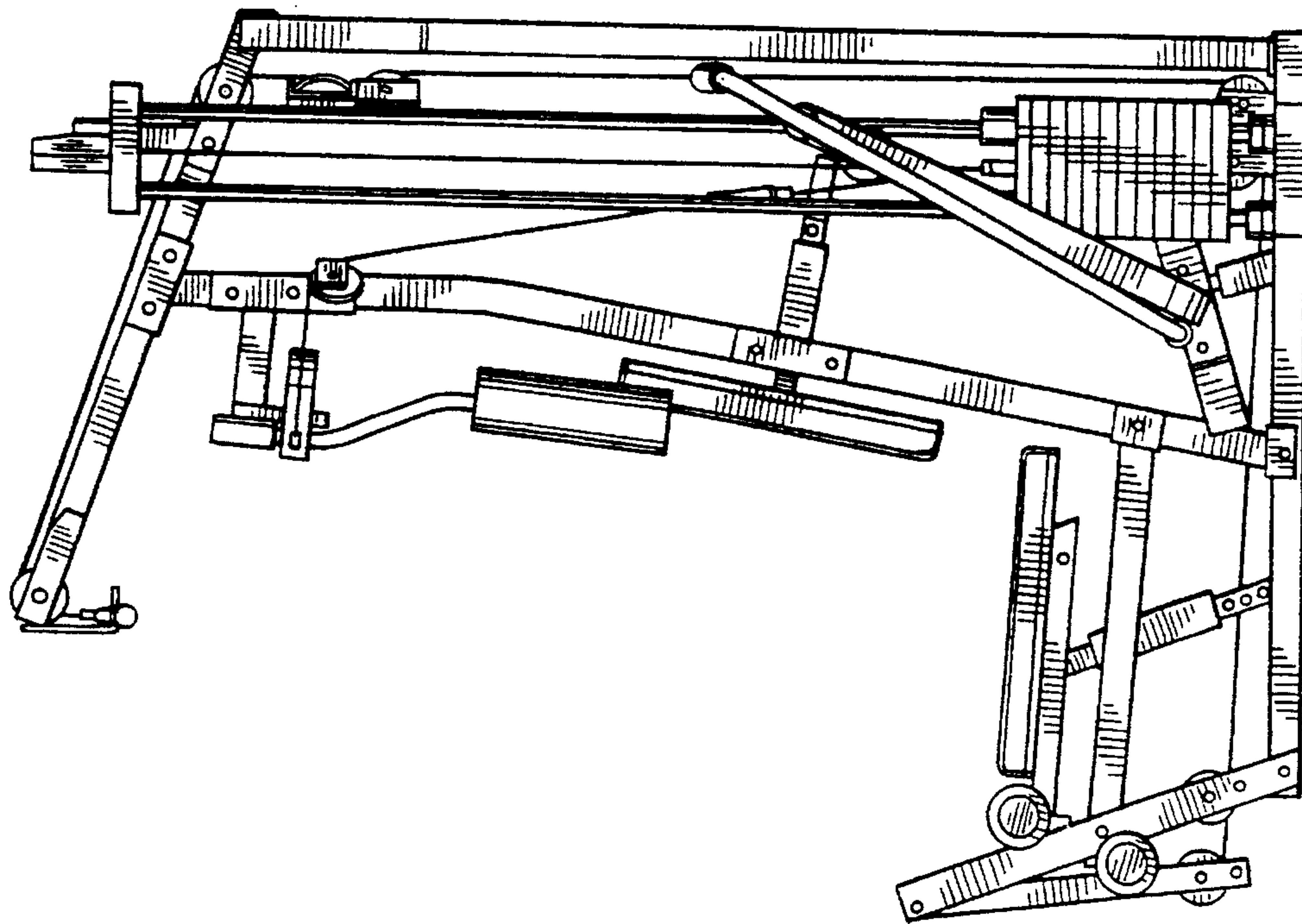


FIG. 2

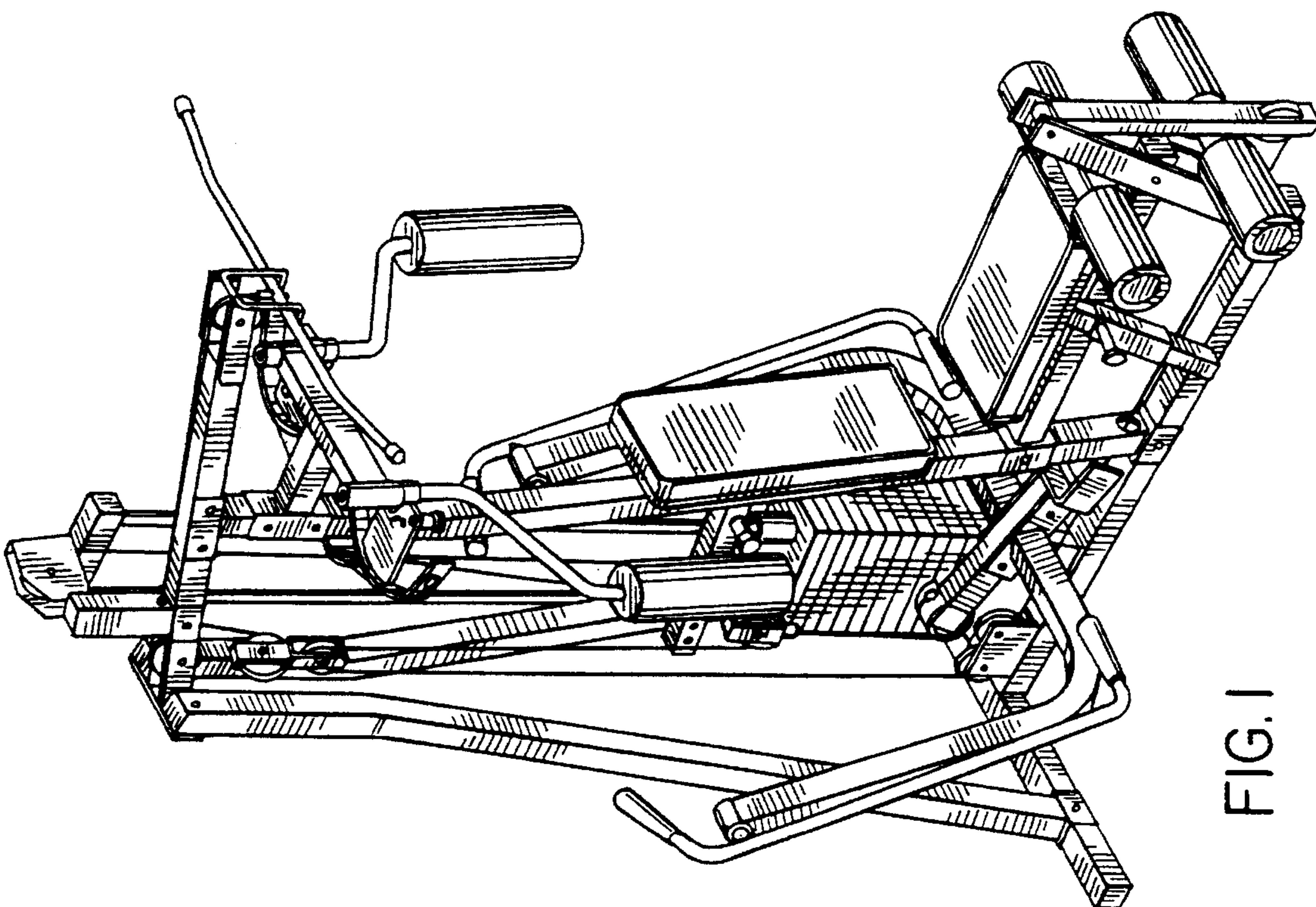


FIG. 1

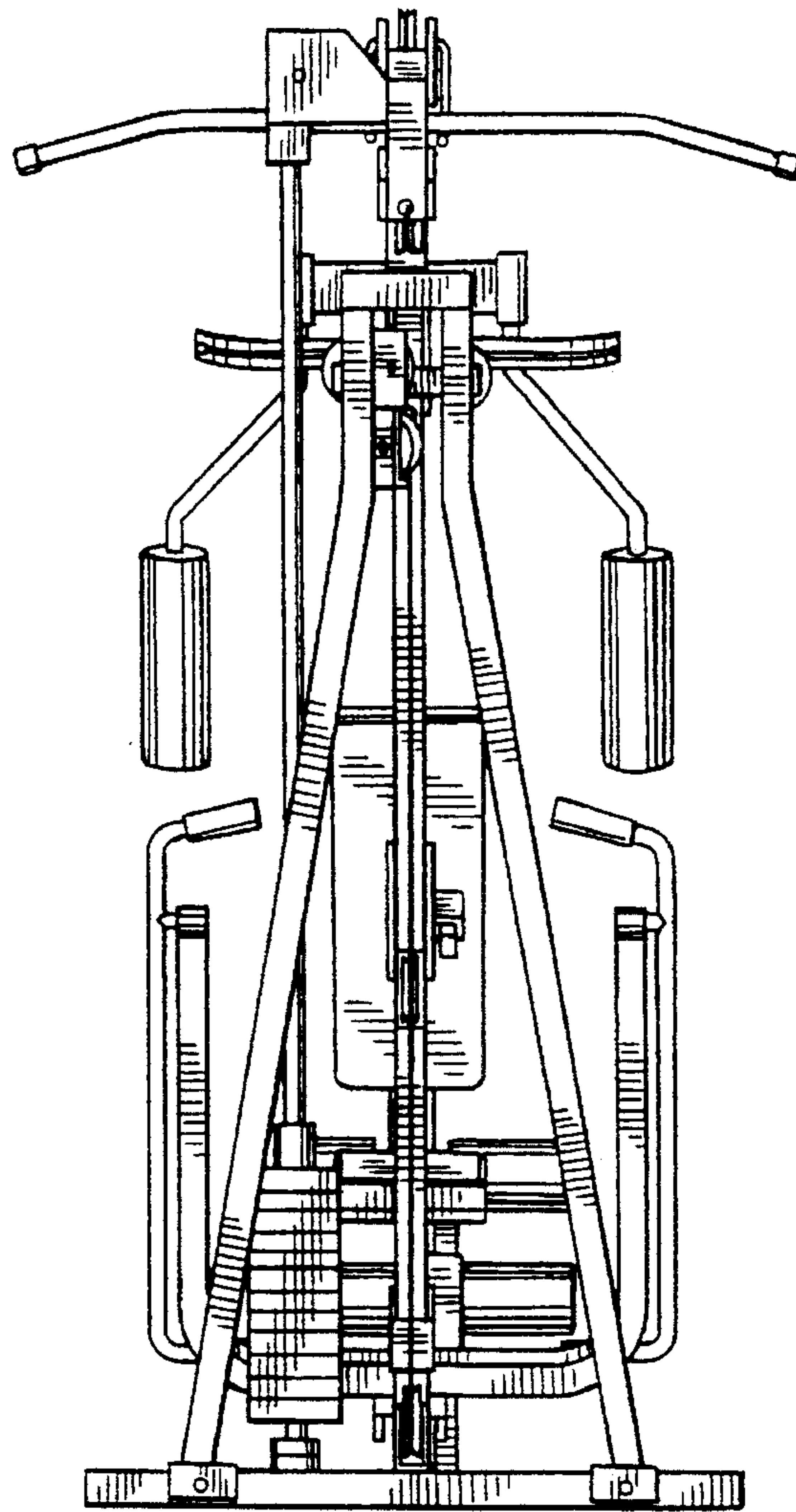


FIG. 3

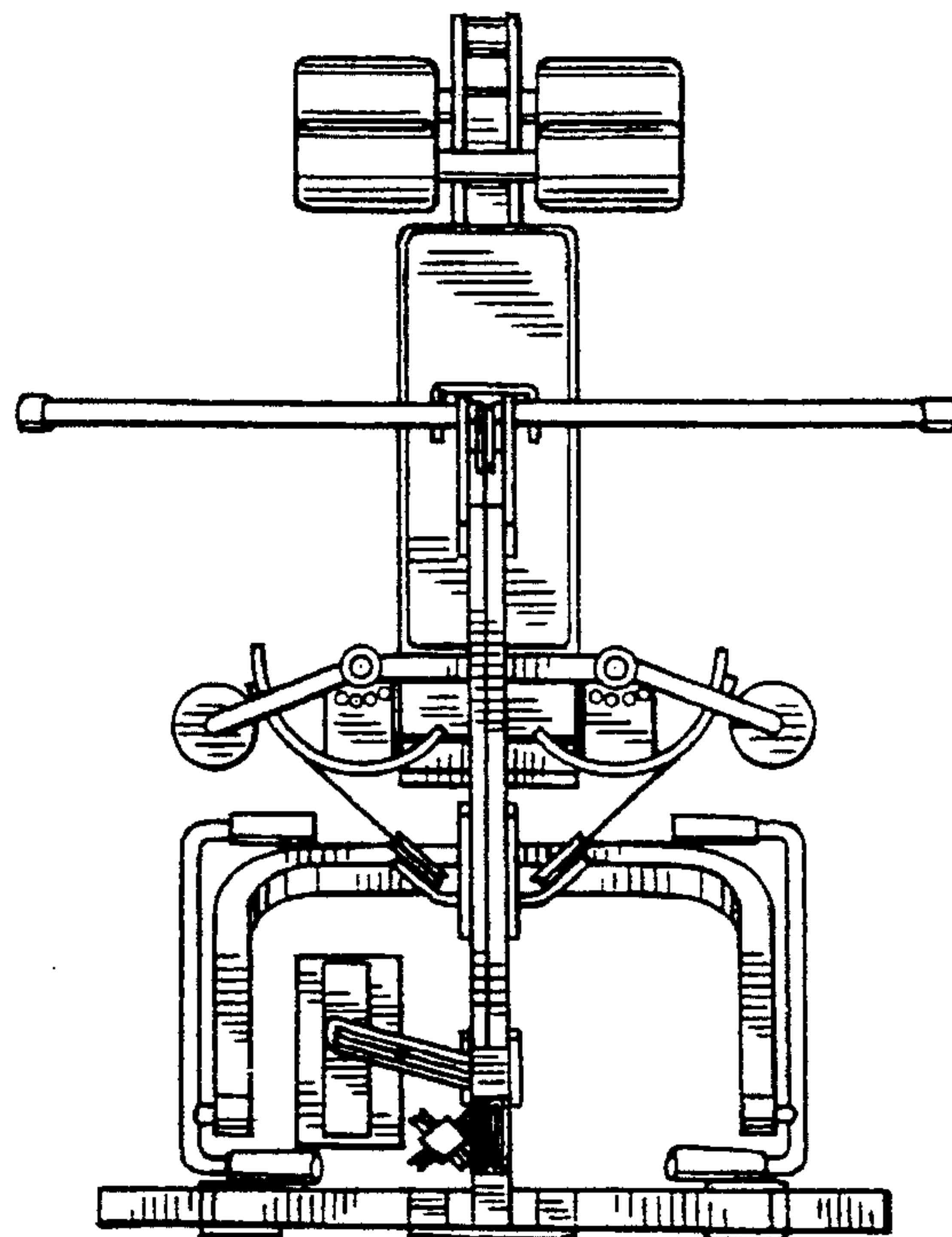


FIG. 4