



US00D370947S

United States Patent [19]

[11] Patent Number: **Des. 370,947**

Pipik

[45] Date of Patent: ****Jun. 18, 1996**

[54] **TOY PLAY KITCHEN**

[75] Inventor: **Nancy M. Pipik**, Hudson, Ohio

[73] Assignee: **The Little Tikes Company**, Hudson, Ohio

[**] Term: **14 Years**

[21] Appl. No.: **25,038**

[22] Filed: **Jun. 27, 1994**

[52] **U.S. Cl.** **D21/122**

[58] **Field of Search** D21/59, 109, 120, D21/122; D7/332, 337; 446/479, 481, 482, 485; D23/271, 272, 286

[56] **References Cited**

U.S. PATENT DOCUMENTS

D. 153,095	3/1949	Armbruster	D23/272
D. 189,247	11/1960	Plotraschke	D23/271
D. 225,996	1/1973	Schwartz	D23/286
D. 258,162	2/1981	Orenstein et al.	D21/121
D. 261,404	10/1981	Appel et al.	D21/122
D. 276,928	12/1984	Nottingham et al.	D21/122
D. 277,204	1/1985	Nottingham et al.	D21/122
D. 293,669	1/1988	Thornell	D21/114
D. 294,608	3/1988	Benedetto et al.	D21/122
D. 299,839	2/1989	Argandona	D21/122
D. 328,623	8/1992	Zinter-Chahin	D21/122
D. 345,592	3/1994	Houry et al.	D21/121
4,135,315	1/1979	McKee	446/482
4,515,359	5/1985	Mariol	272/1

OTHER PUBLICATIONS

P. 48, Kitchen center; Fisher-Price 620 Girard Avenue, East Aurora, New York 14052-1879.

P. 18, Kitchen center; Today's Kids, Inc., Highway 10 East, Booneville, Arkansas 72927.

P. 3, All-together kitchen and dinning room; Step 2 Corp., Twinsburg, Ohio.

P. 107, The Little Tikes Company, 2180 Barlow Road, Hudson, Ohio 44236.

Primary Examiner—Terry A. Wallace

Assistant Examiner—R. Barkai

Attorney, Agent, or Firm—Richard B. O'Planick; Lisa B. Riedesel

[57] **CLAIM**

The ornamental design for a toy play kitchen, as shown and described.

DESCRIPTION

FIG. 1 is a top right front perspective view of a toy play kitchen showing my new design. The broken lines in FIGS. 1-7 are for illustrative purposes only and form no part of the claimed design;

FIG. 2 is a front elevational view thereof;

FIG. 3 is a rear elevational view thereof;

FIG. 4 is a top plan view thereof;

FIG. 5 is a right side elevational view thereof; the left side elevational view being a mirror image;

FIG. 6 is a bottom plan view thereof;

FIG. 7 is a left side elevational view thereof;

FIG. 8 is a top front perspective view of the subject invention, shown with the environmental unclaimed features removed;

FIG. 9 is a front elevational view of the subject invention, shown with the environmental unclaimed features removed;

FIG. 10 is a rear elevational view of the subject invention, shown with the environmental unclaimed features removed;

FIG. 11 is a top plan view of the subject invention, shown with the environmental unclaimed features removed;

FIG. 12 is a right side elevational view of the subject invention, shown with the environmental unclaimed features removed;

FIG. 13 is a bottom plan view of the subject invention, shown with the environmental unclaimed features removed; and,

FIG. 14 is a left side elevational view of the subject invention, shown with the environmental unclaimed features removed.

1 Claim, 10 Drawing Sheets

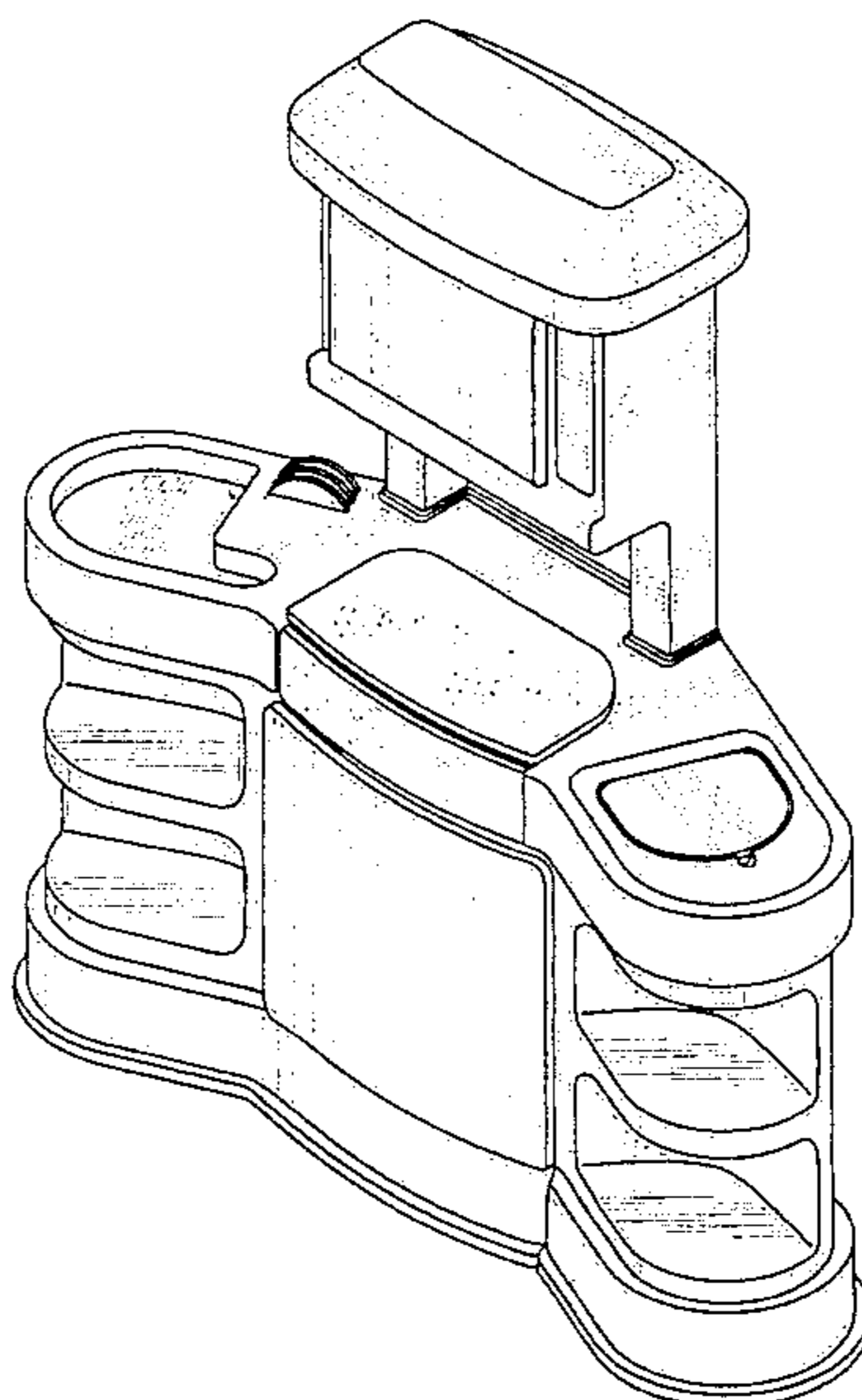


FIG. 1

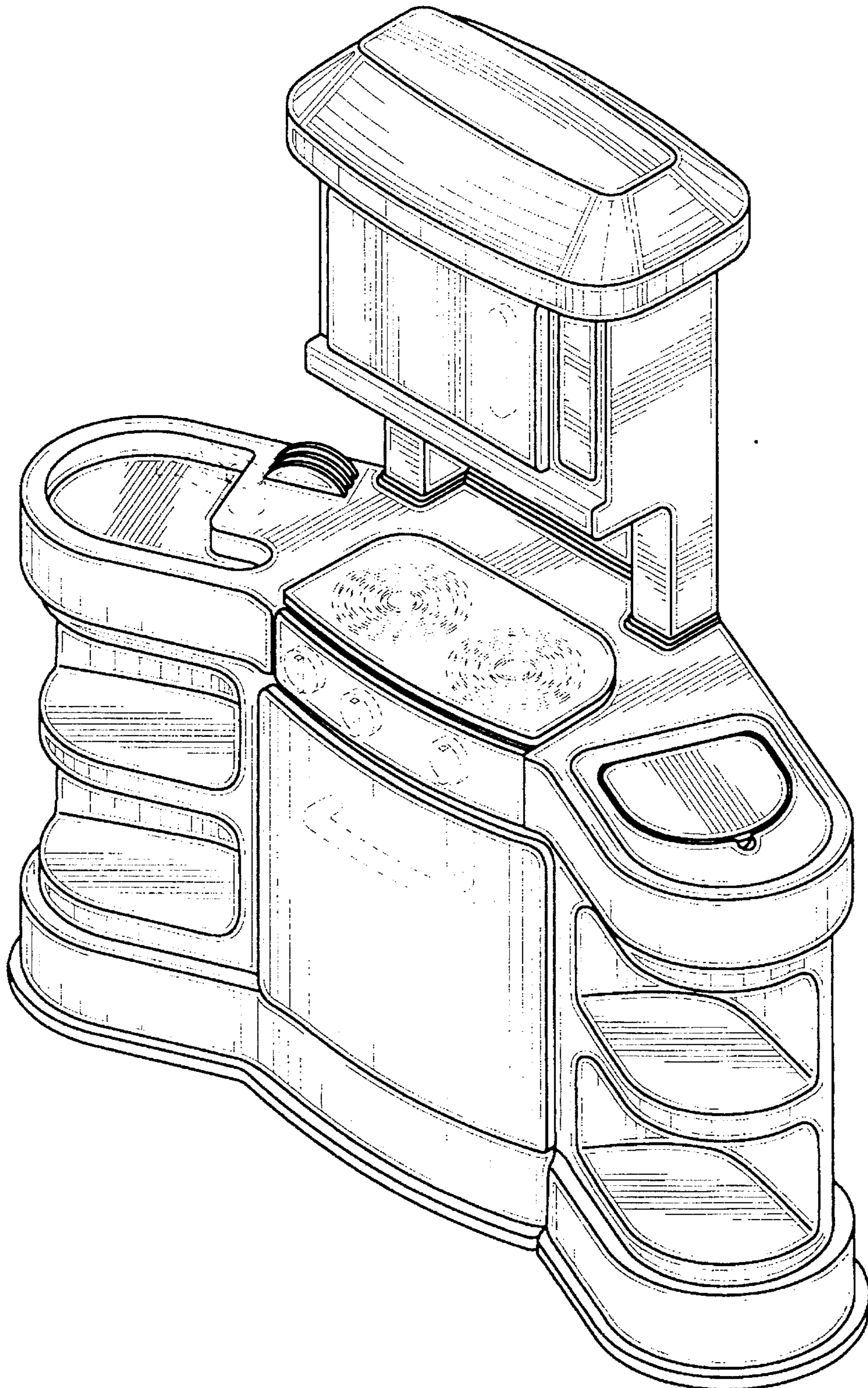


FIG. 4

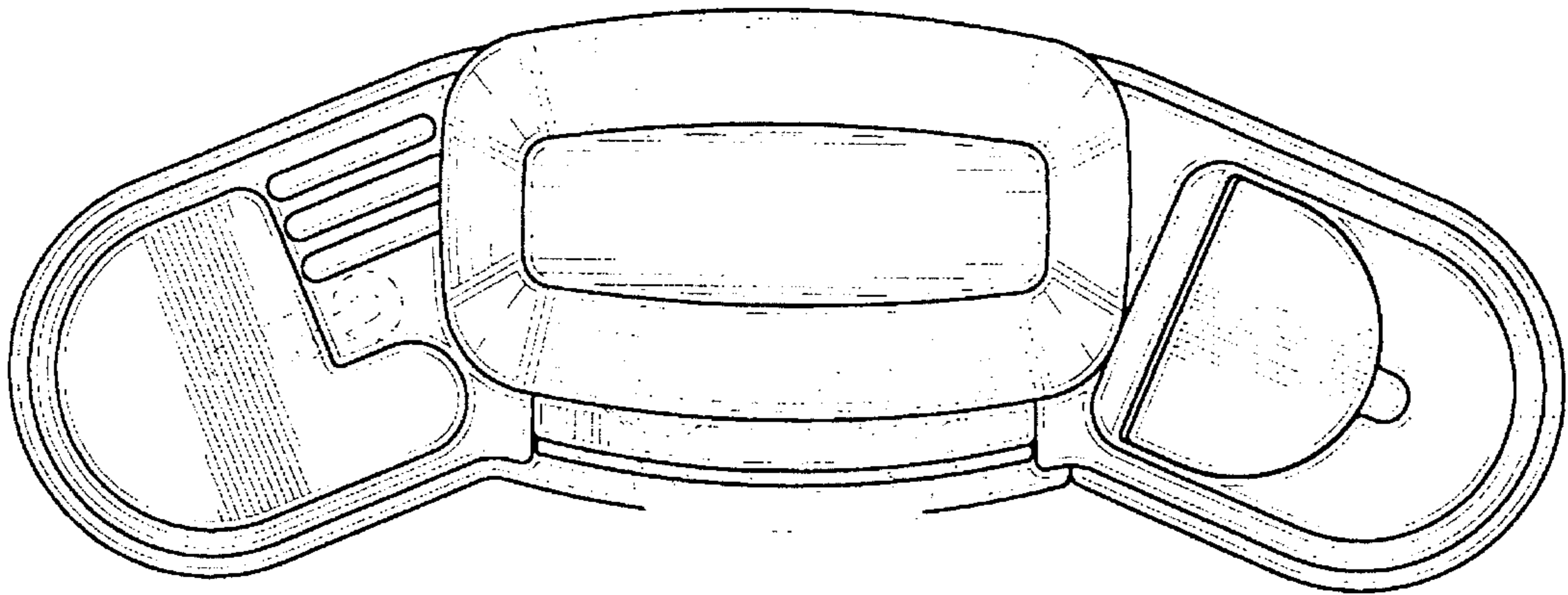


FIG. 2

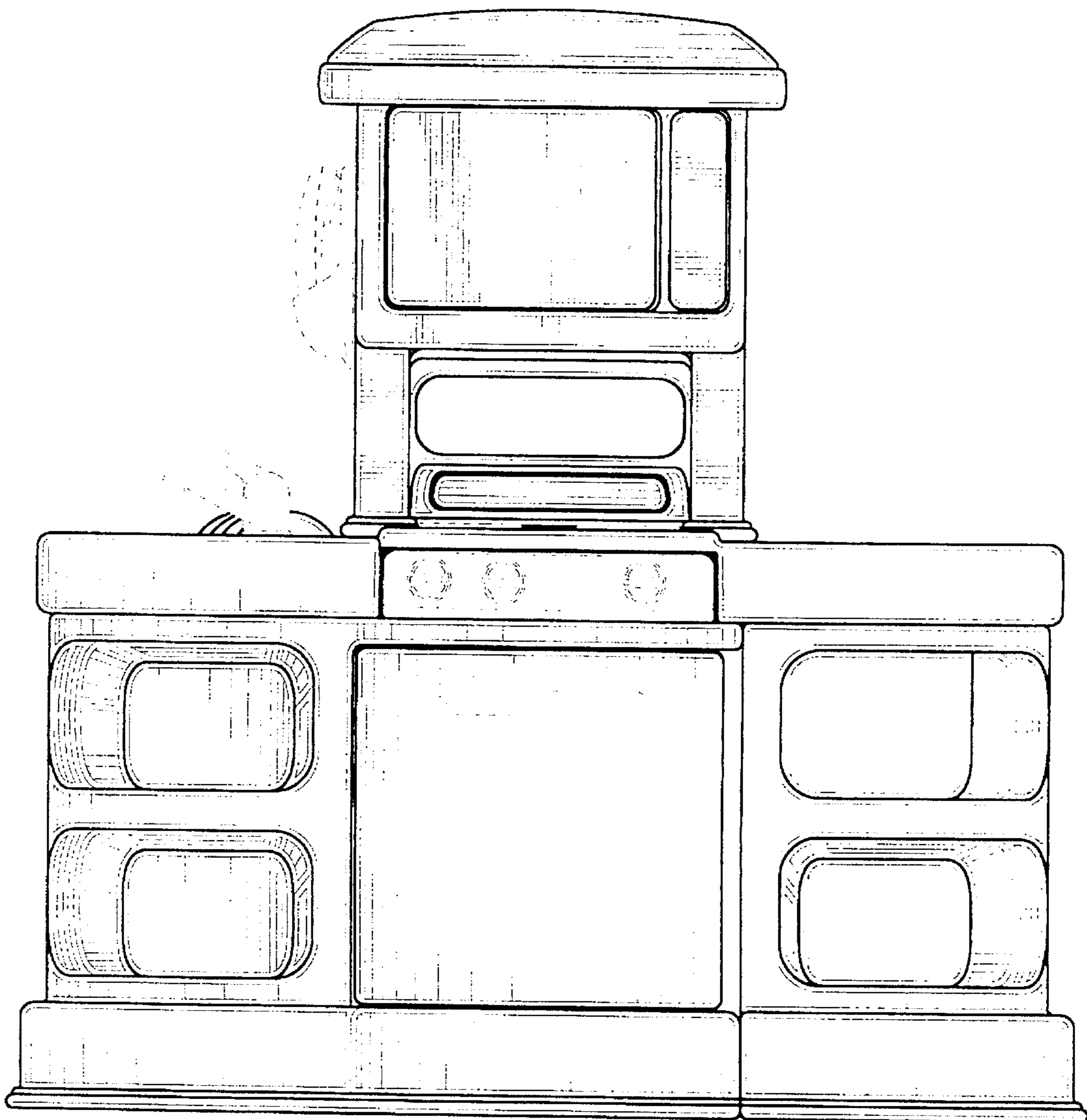


FIG. 3

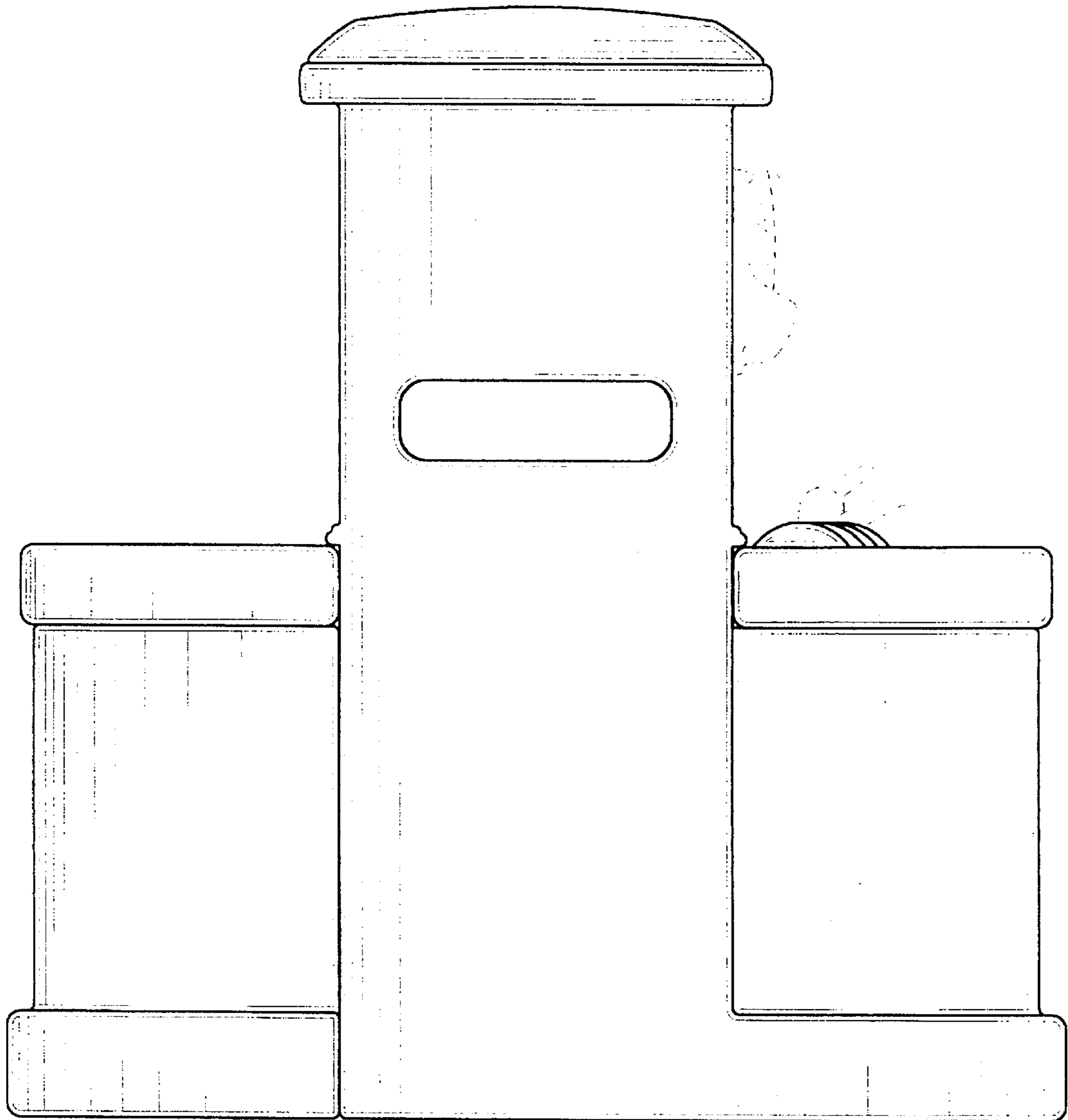


FIG. 6

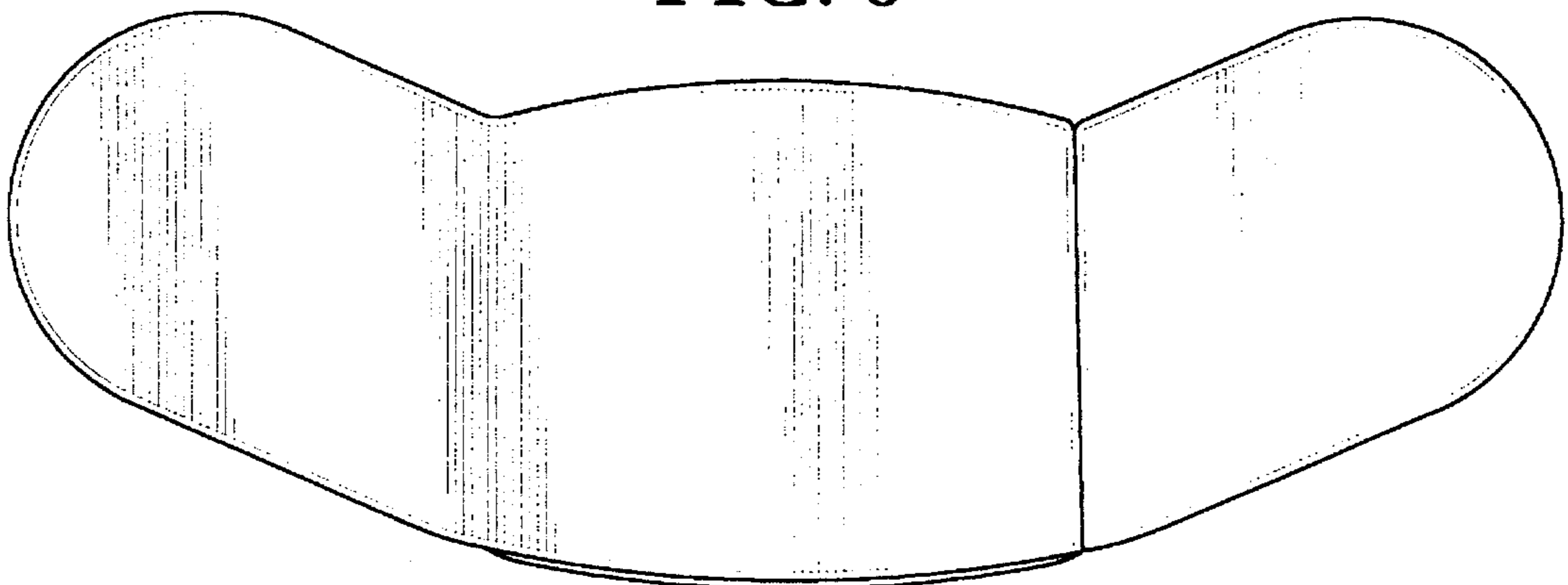


FIG. 5

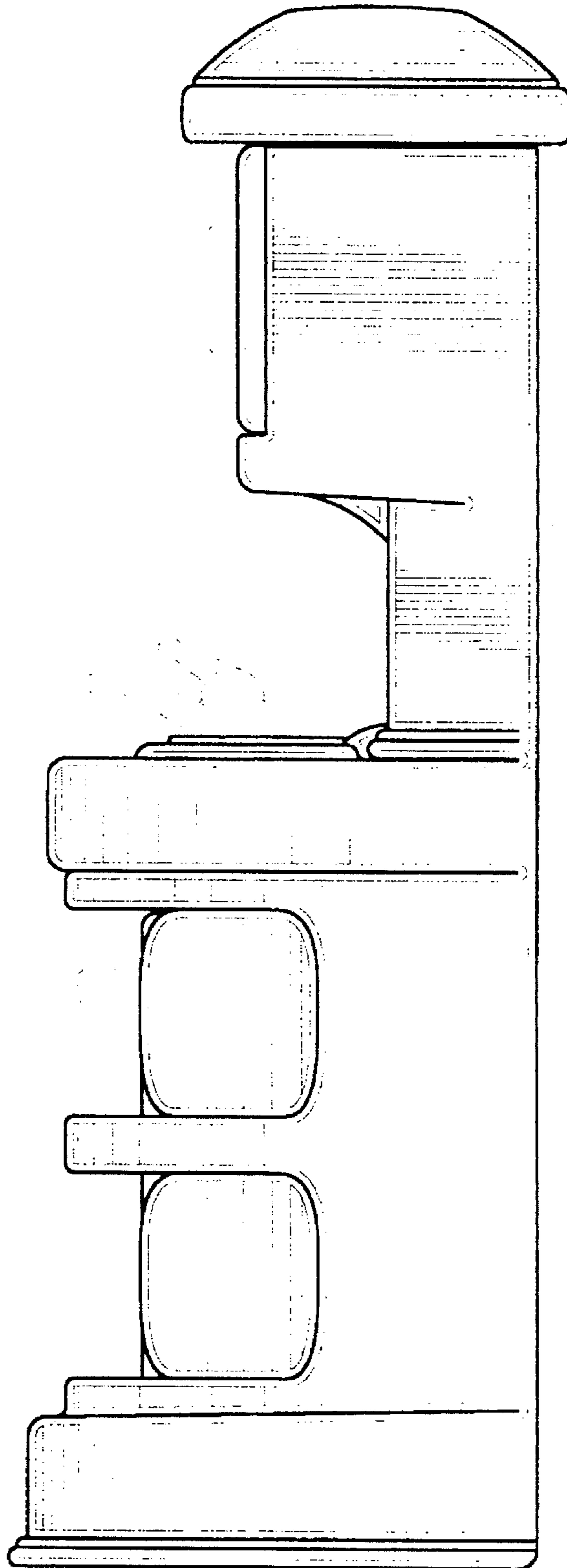


FIG. 7

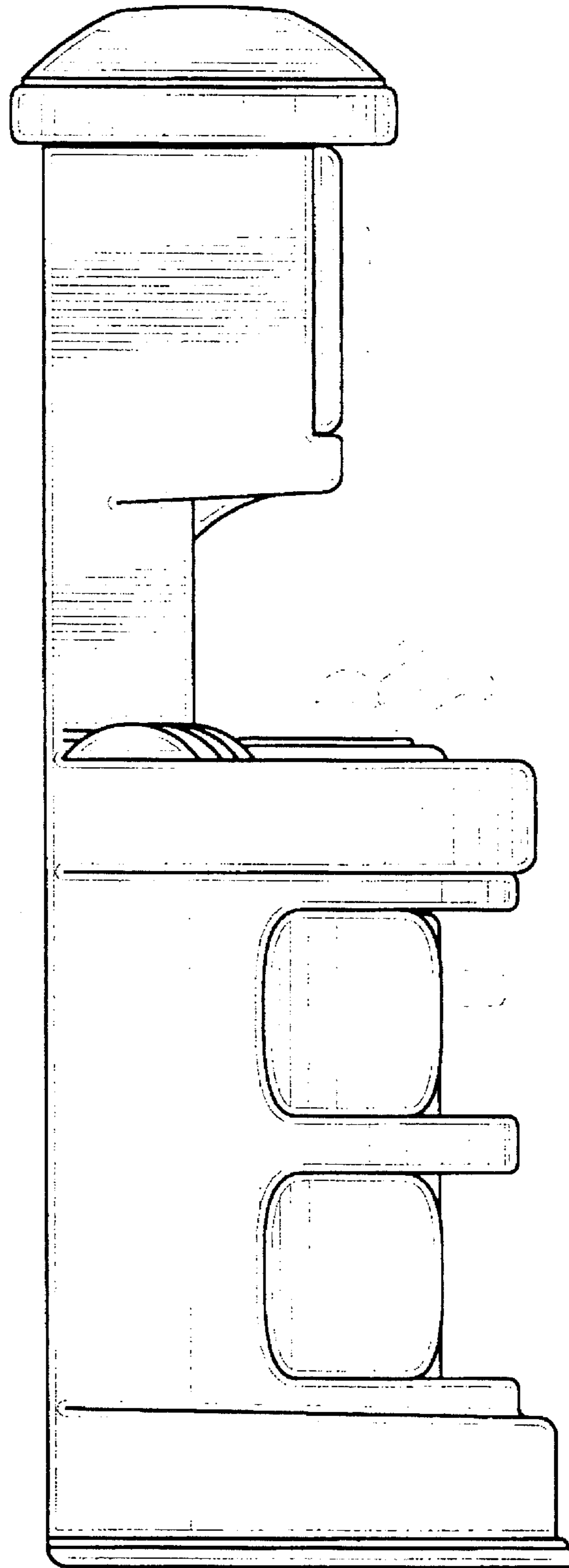


FIG. 8

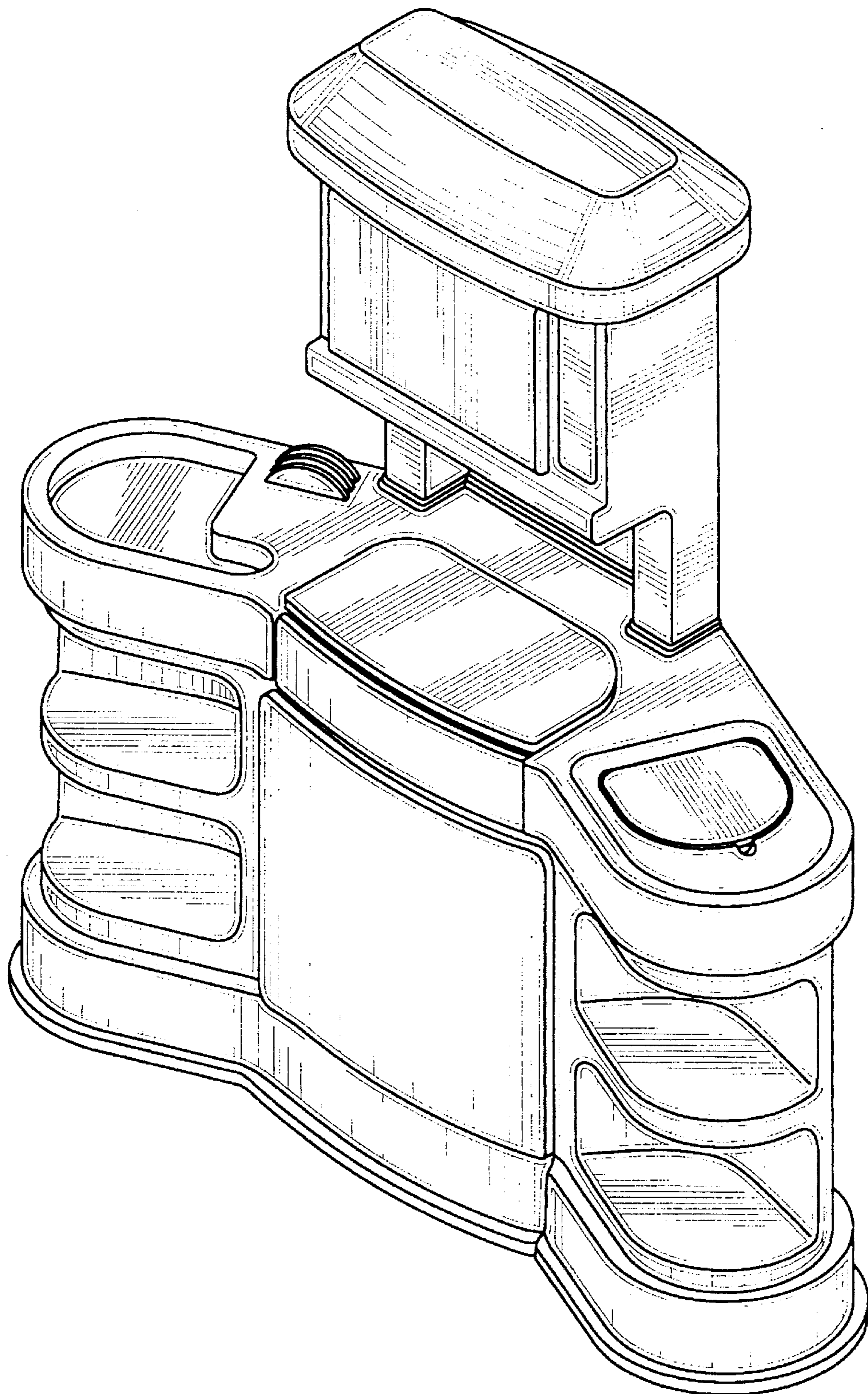


FIG. 11

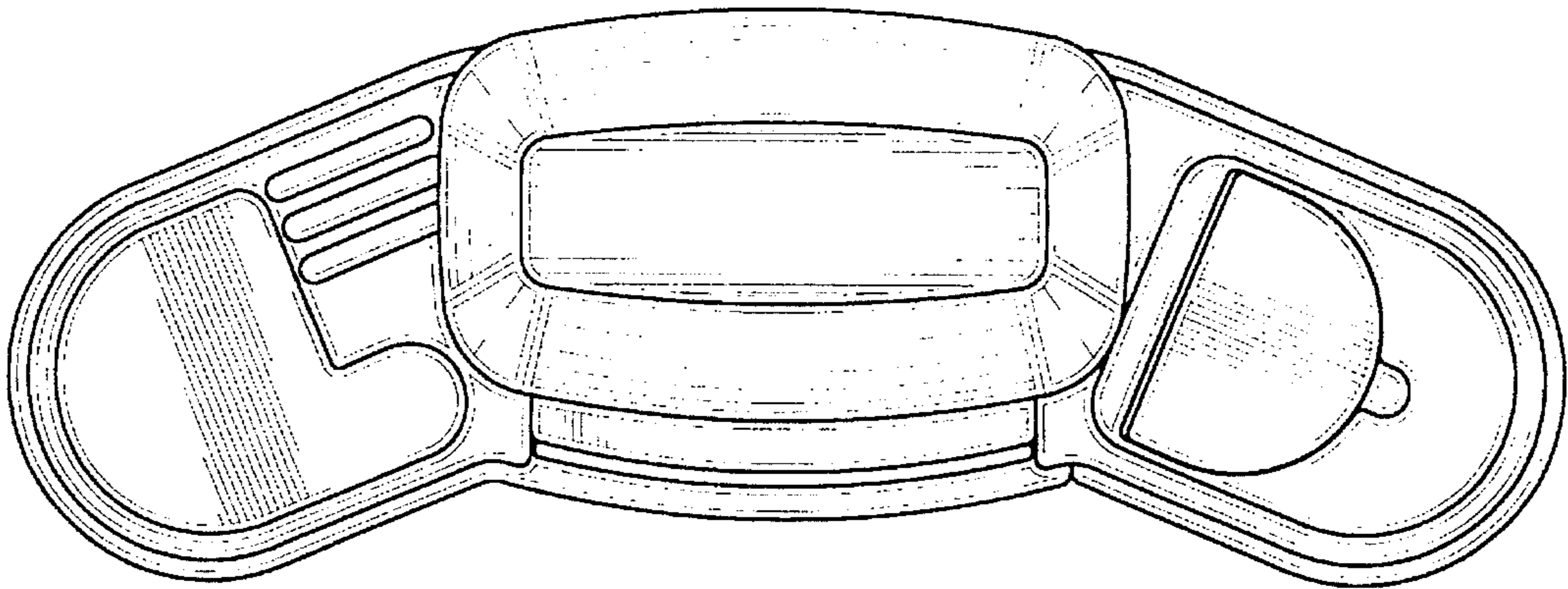


FIG. 9

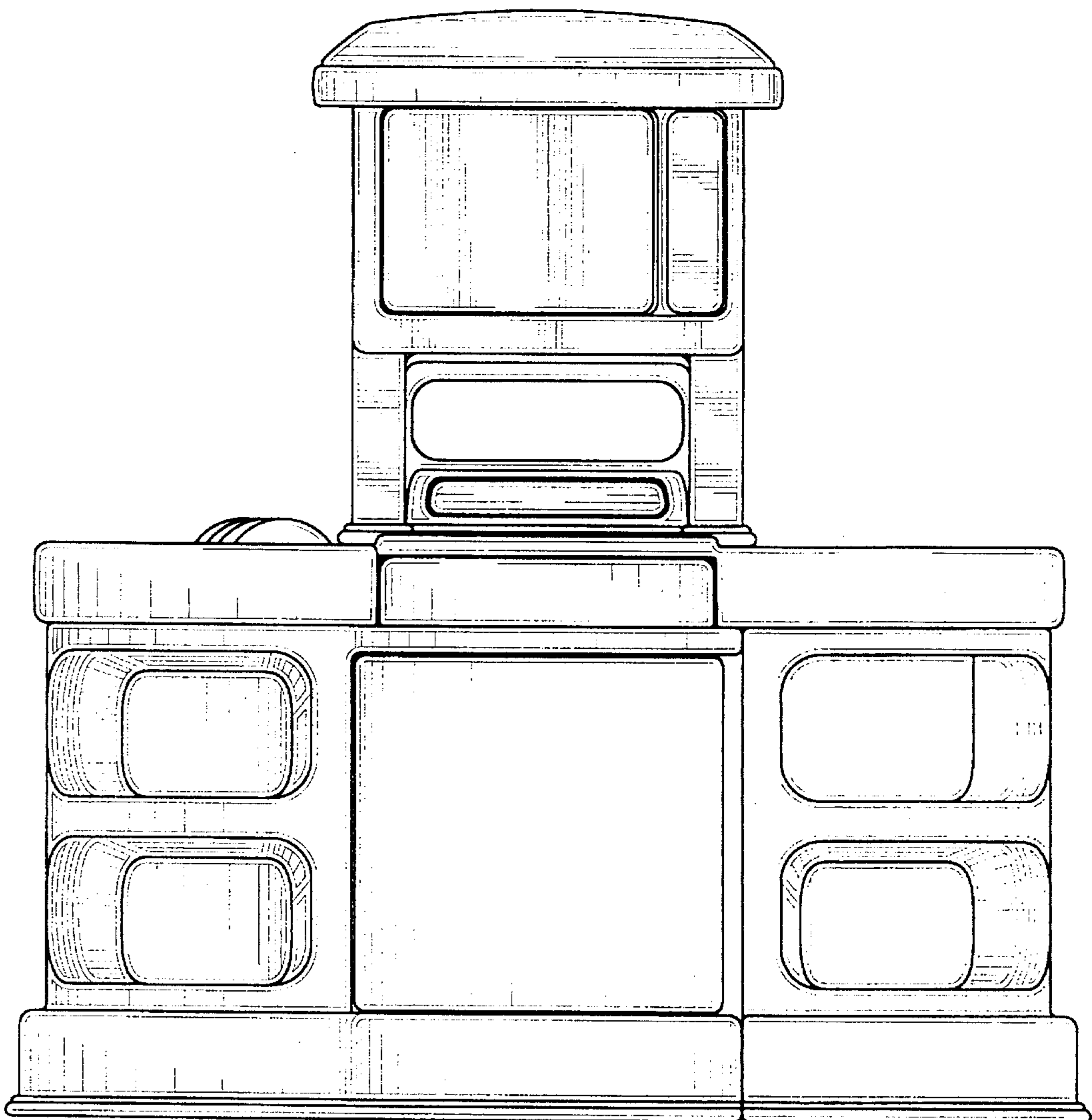


FIG. 10

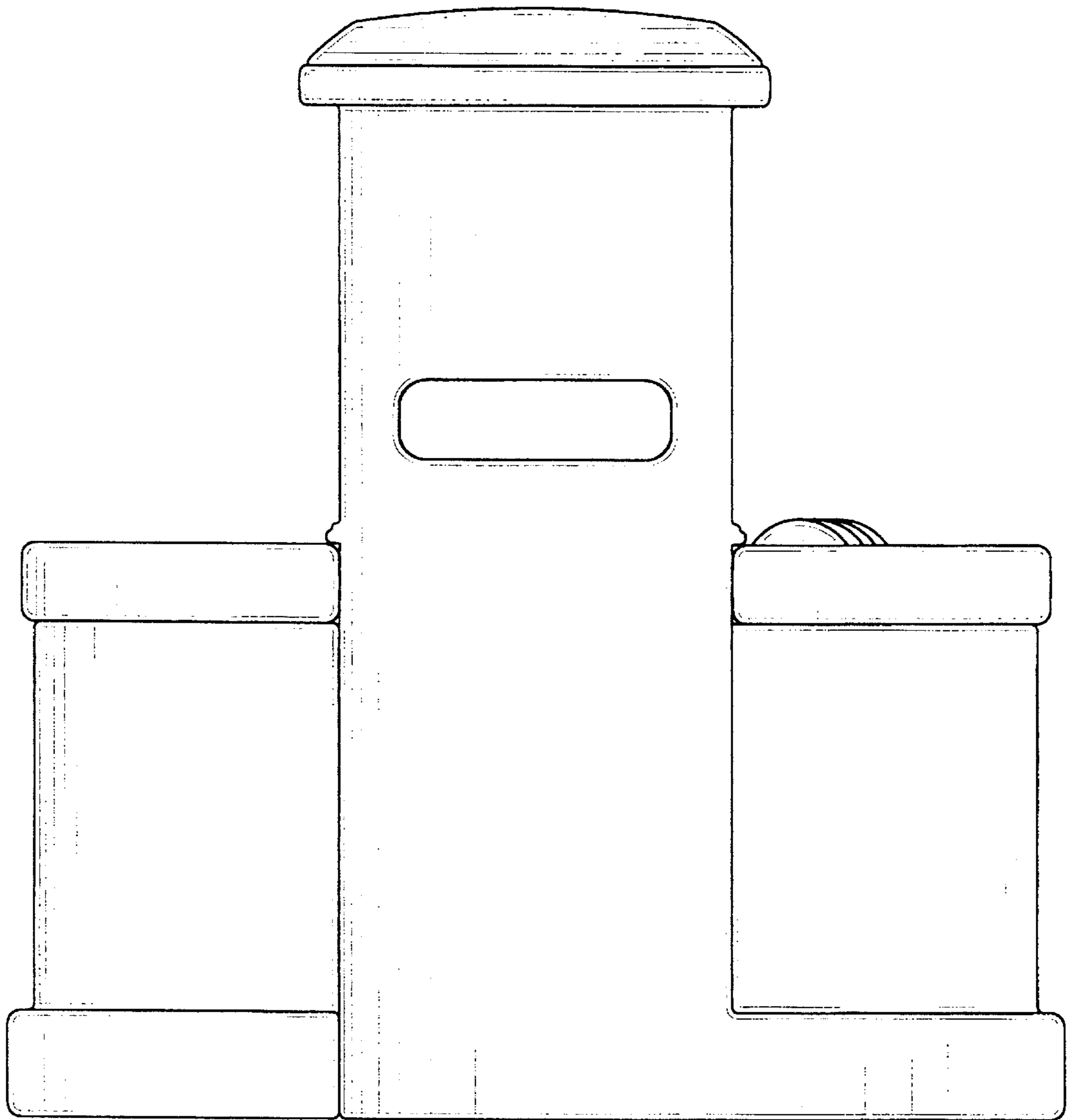


FIG. 13

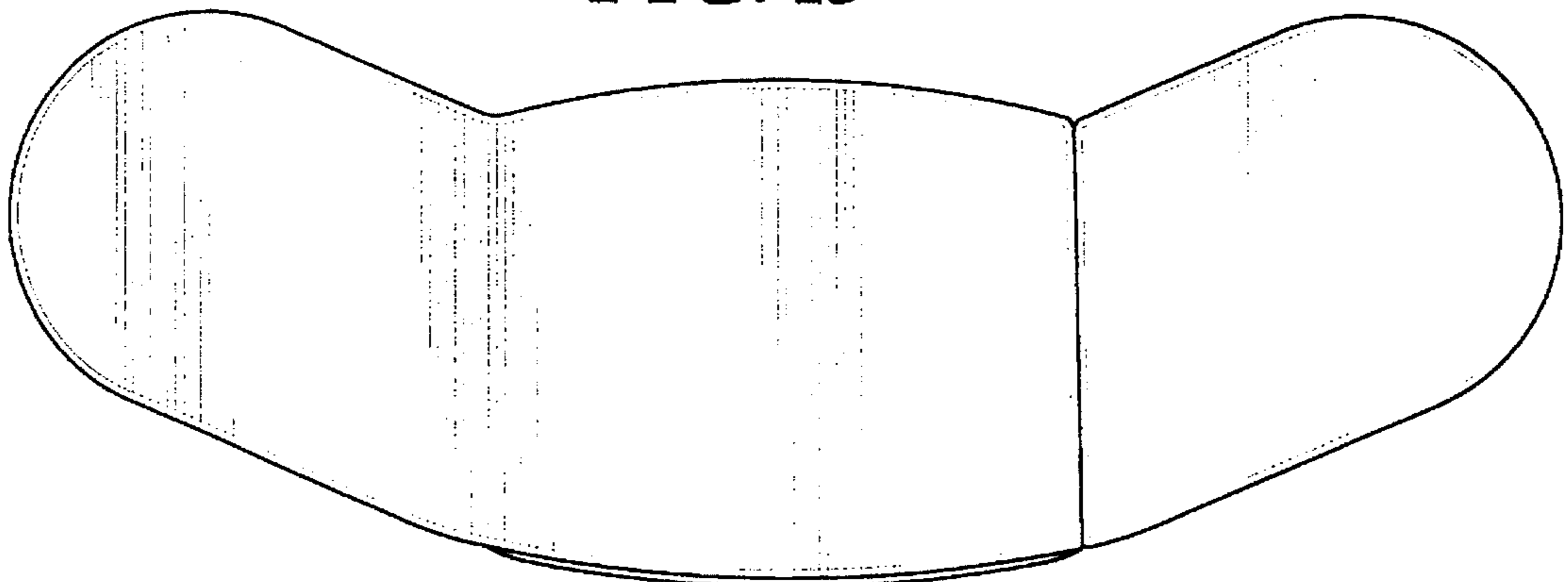


FIG. 12

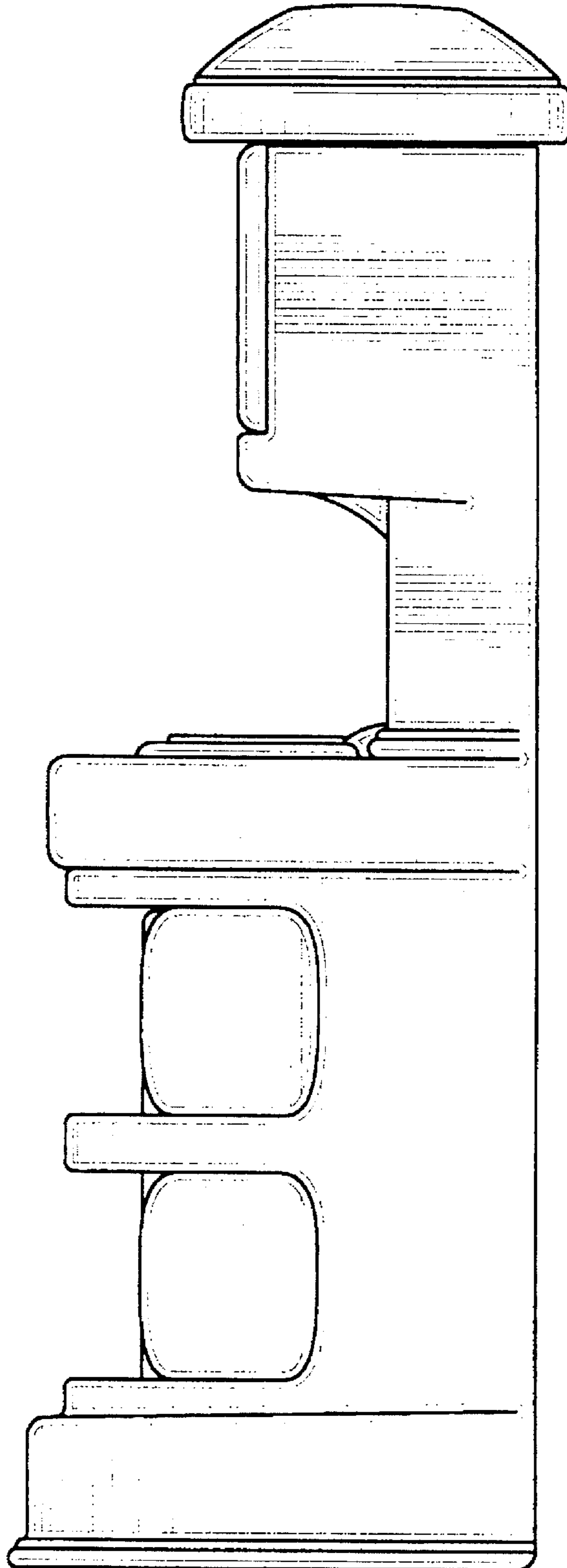


FIG. 14

