



US00D370945S

United States Patent [19]

Bertrand

[11] Patent Number: **Des. 370,945**

[45] Date of Patent: ****Jun. 18, 1996**

[54] **HOUSE FRONT-SHAPED CONSTRUCTION TOY BLOCK**

[75] Inventor: **Victor J. Bertrand**, Ile Bizard, Canada

[73] Assignee: **The Ritvik Group Inc.**, Quebec, Canada

[**] Term: **14 Years**

[21] Appl. No.: **36,657**

[22] Filed: **Mar. 24, 1995**

[30] **Foreign Application Priority Data**

Feb. 3, 1995 [CA] Canada 1995-0251

[52] U.S. Cl. **D21/108; D21/114**

[58] Field of Search D21/108, 114, D21/59; D25/59; 446/103, 104, 106, 108, 110, 119, 121, 125, 127, 128, 476

[56] **References Cited**

U.S. PATENT DOCUMENTS

D. 247,984 5/1978 Lunde D21/114
D. 295,643 5/1988 Kushner D21/108

D. 351,005 9/1994 Hojlund et al. D21/108
2,780,028 2/1957 McNeill 446/110
3,284,946 11/1966 Christiansen 446/128
3,392,462 7/1968 Everhart 446/110
4,941,859 7/1990 Zaruba 446/110

Primary Examiner—Ted Shooman
Assistant Examiner—R. Barkai
Attorney, Agent, or Firm—Michael D. Bednarek; Marks & Murase

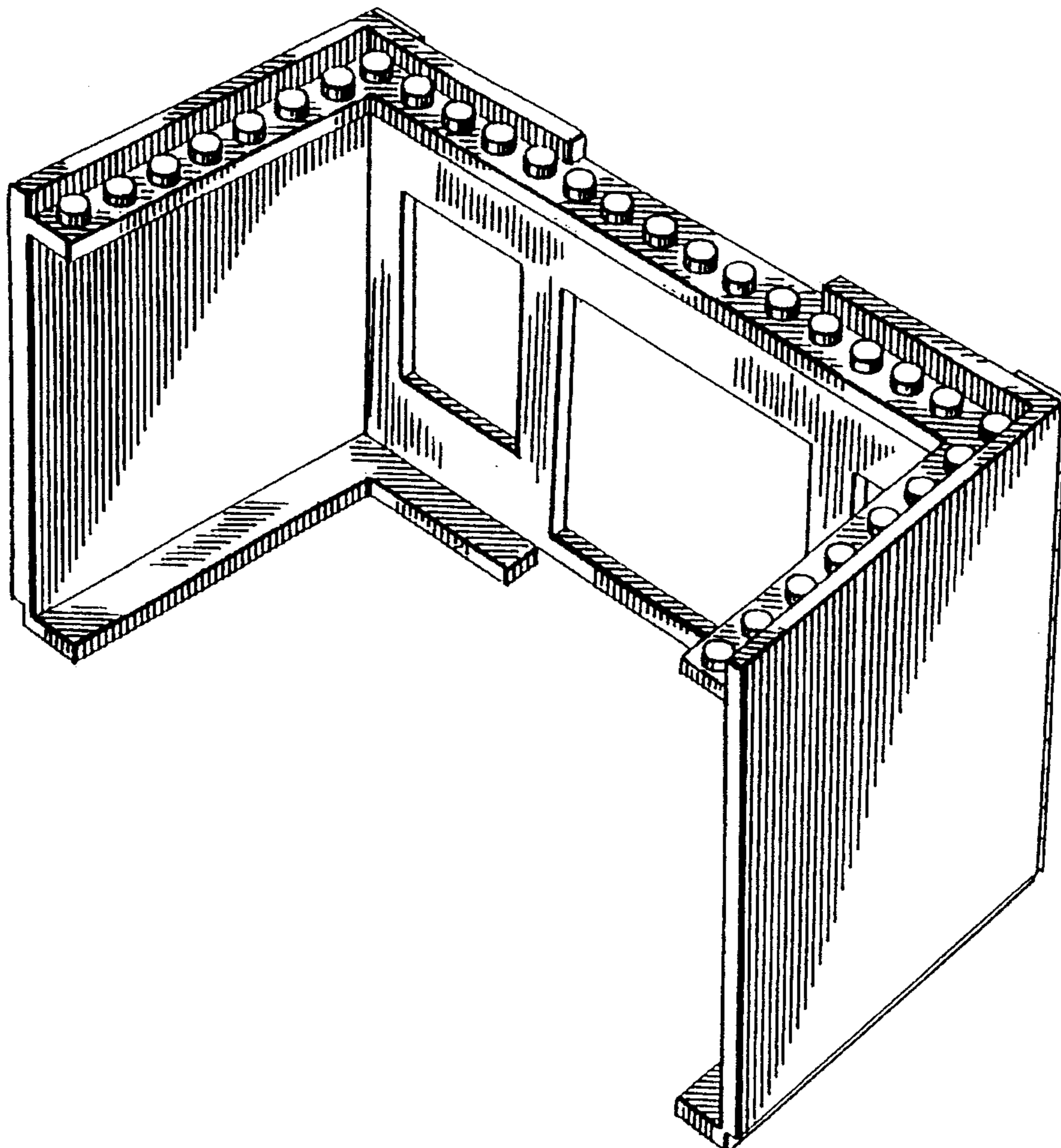
[57] **CLAIM**

The ornamental design for house front-shaped construction toy block, as shown and described.

DESCRIPTION

FIG. 1 is a rear perspective view of a house front-shaped construction toy block showing my new design; FIG. 2 is a front elevational view thereof; FIG. 3 is a top plan view thereof; FIG. 4 is a rear elevational view thereof; FIG. 5 is a bottom plan view thereof; FIG. 6 is a left side elevational view thereof; and, FIG. 7 is a right side elevational view thereof.

1 Claim, 4 Drawing Sheets



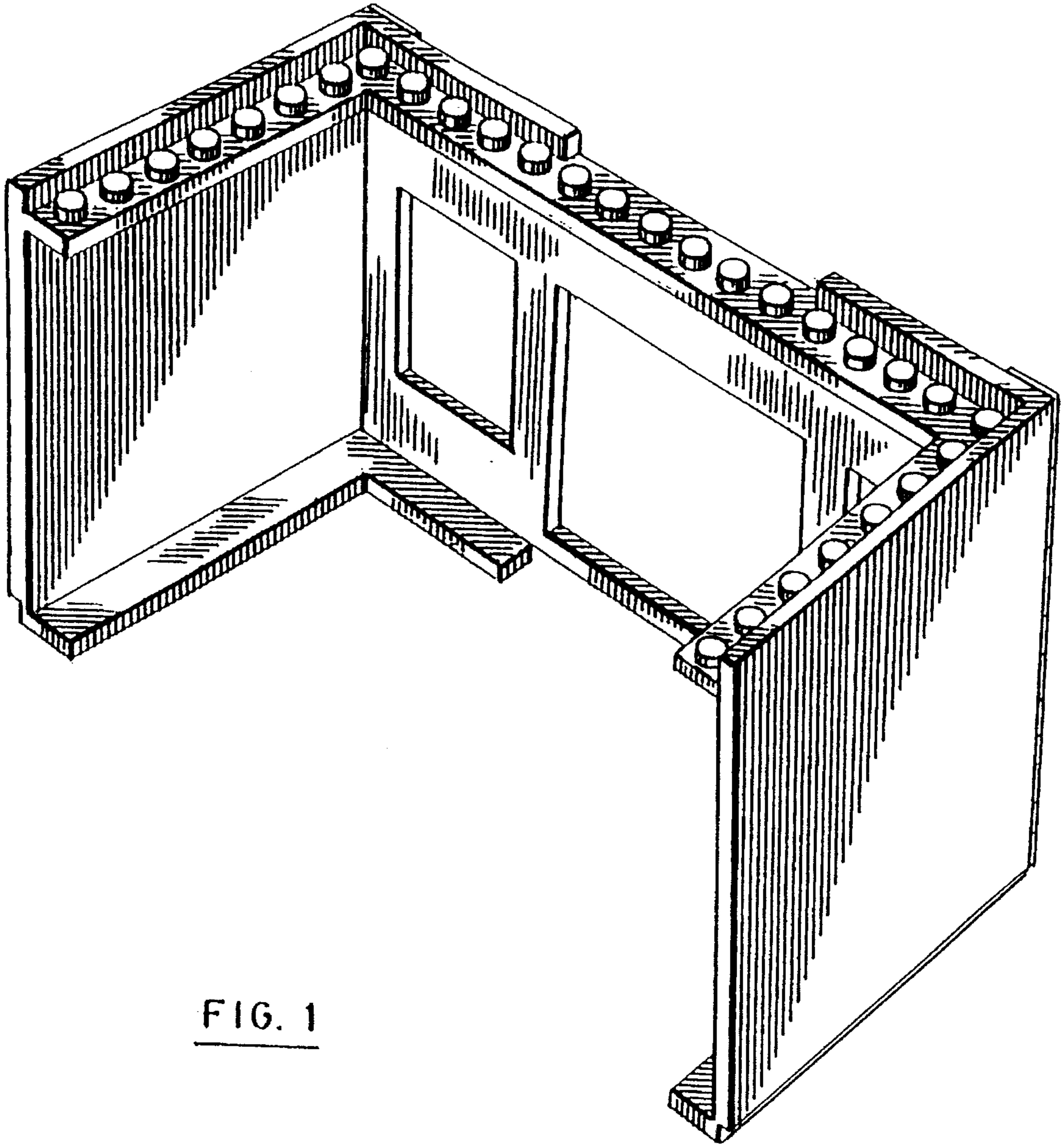


FIG. 1

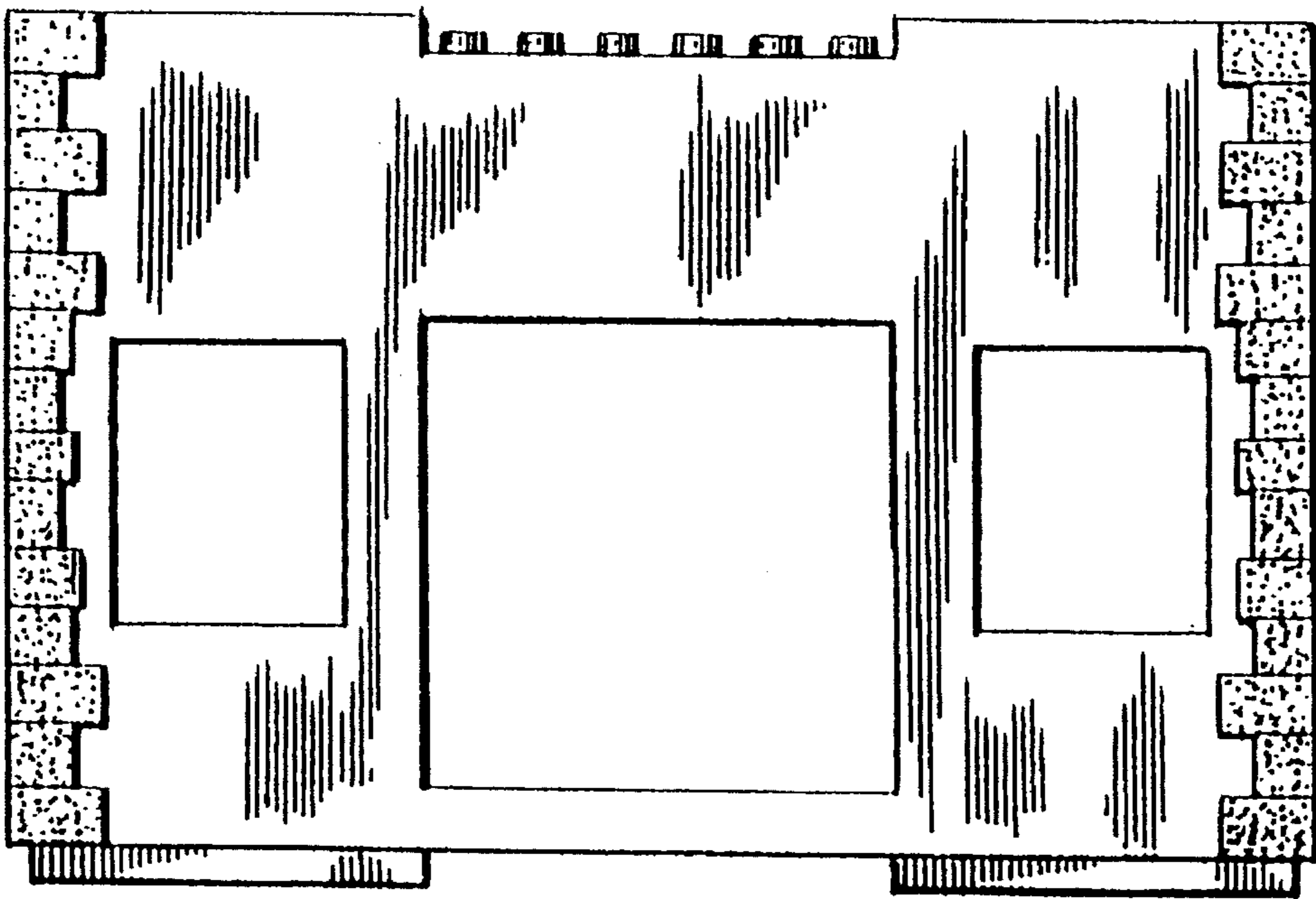
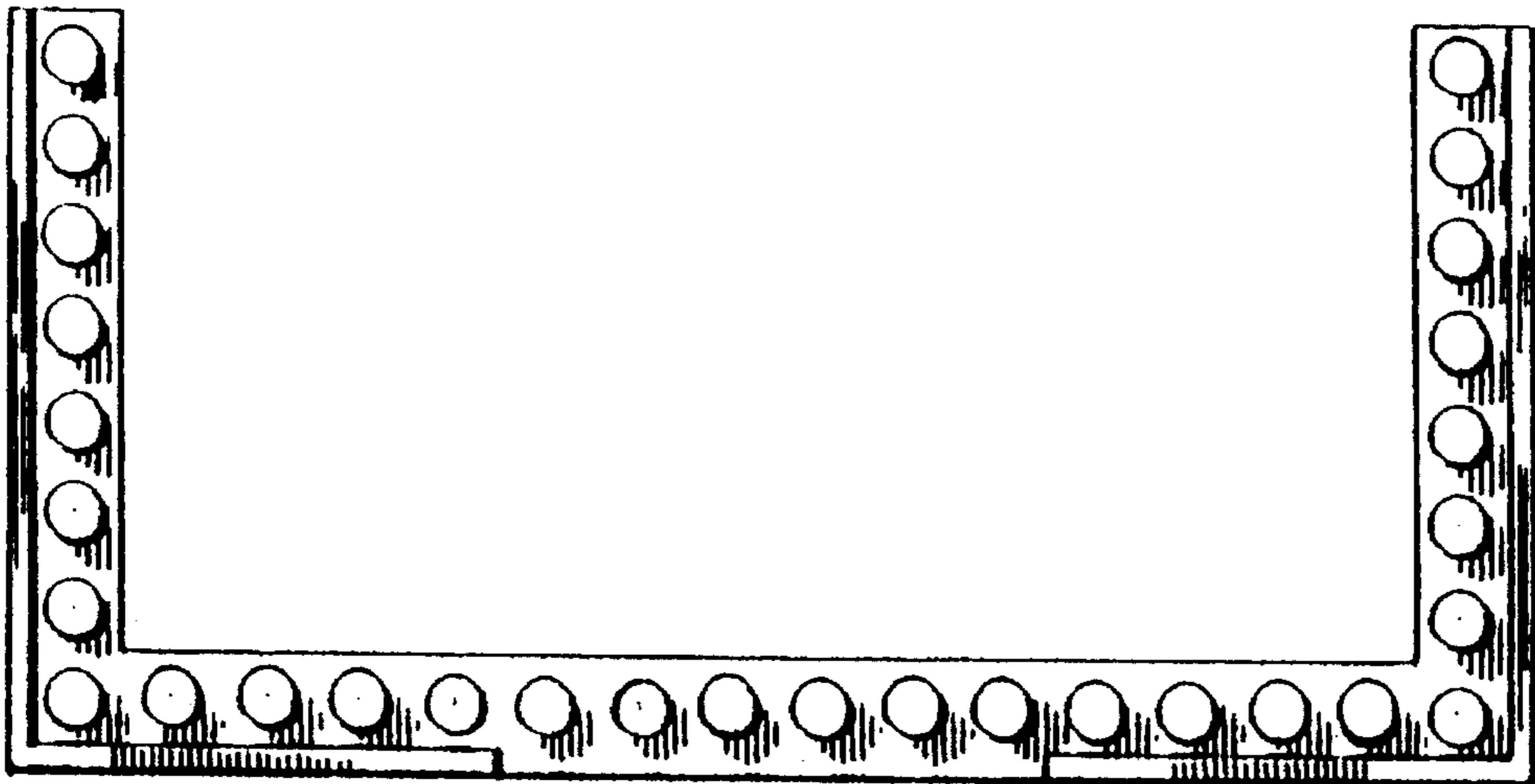


FIG. 2

FIG. 3



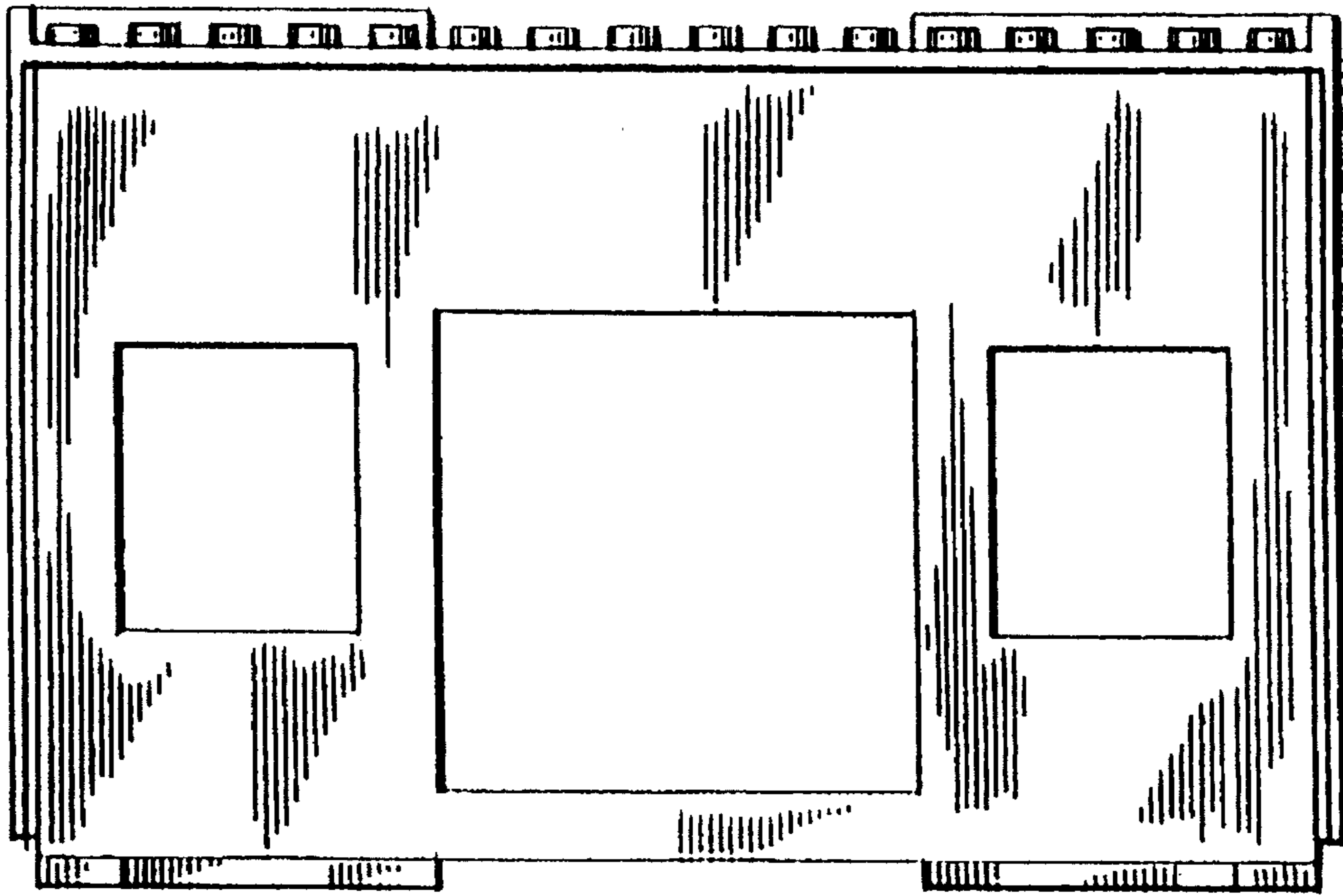


FIG. 4

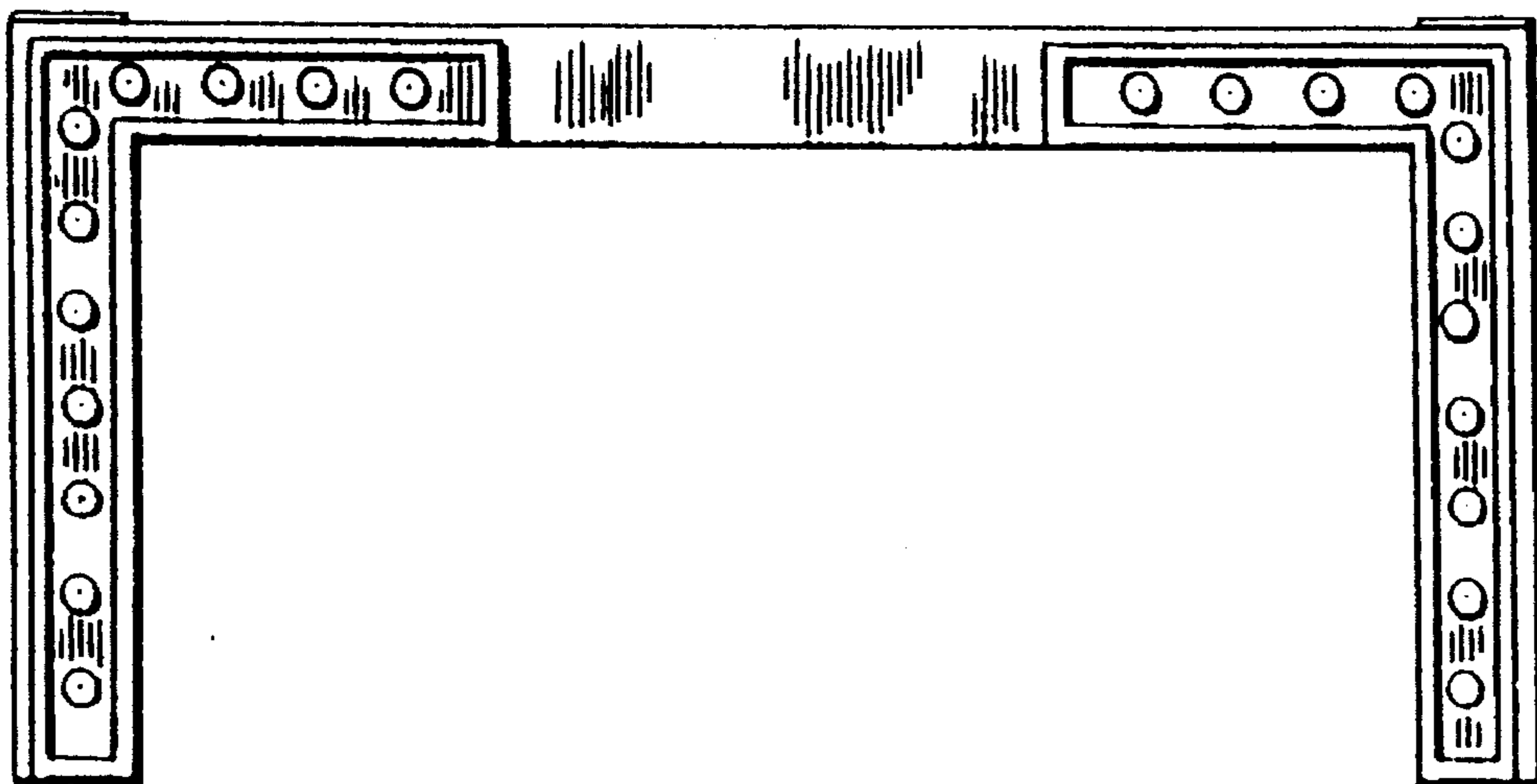


FIG. 5

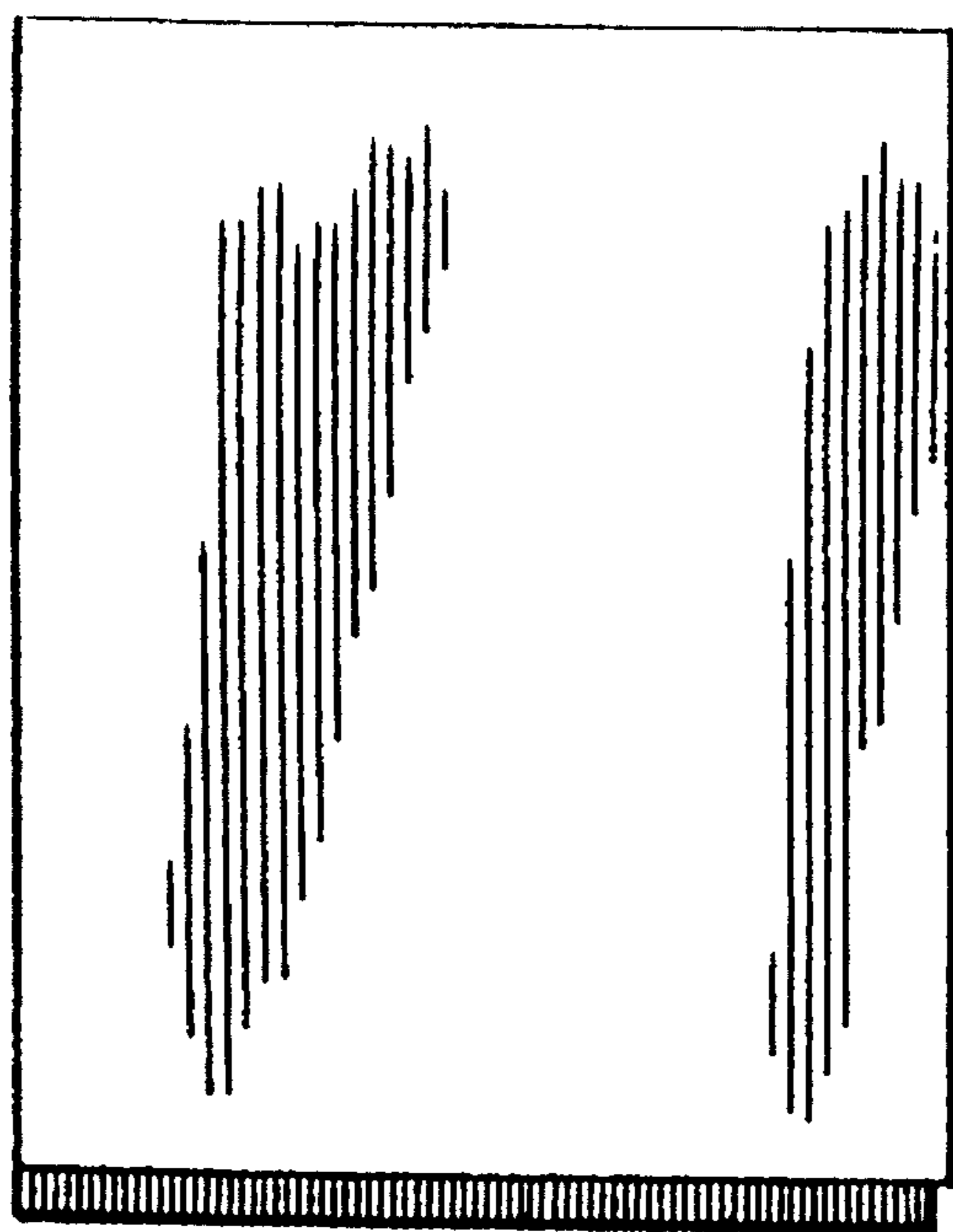


FIG. 6

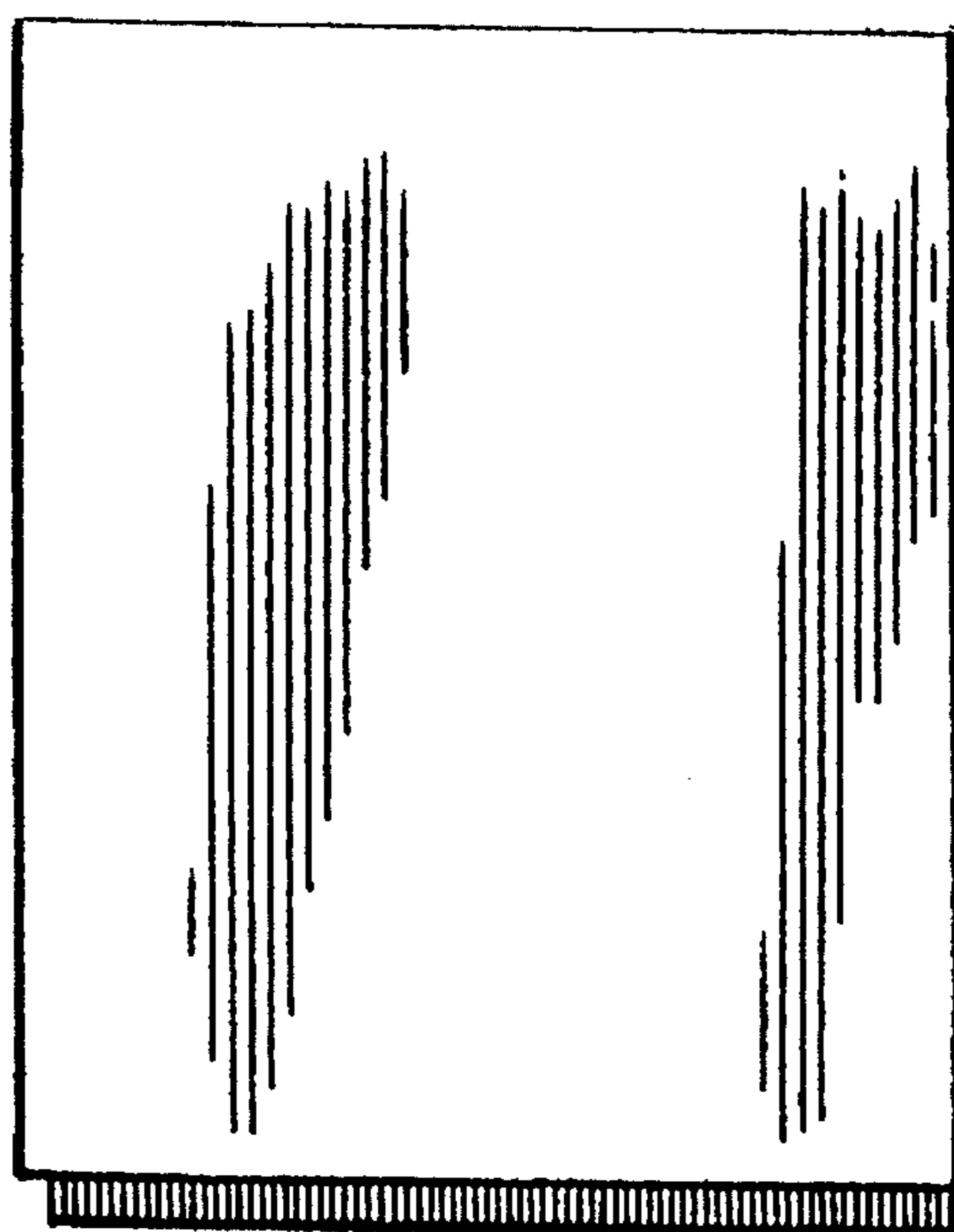


FIG. 7