



US00D370930S

United States Patent [19]

[11] Patent Number: **Des. 370,930**

Yamamoto

[45] Date of Patent: ****Jun. 18, 1996**

[54] EYE GLASSES

[75] Inventor: **Tamenobu Yamamoto**, Higashi-Osaka, Japan

[73] Assignee: **Yamamoto Kogaku Co., Ltd.**, Osaka, Japan

[**] Term: **14 Years**

[21] Appl. No.: **38,318**

[22] Filed: **May 3, 1995**

[30] Foreign Application Priority Data

Nov. 7, 1994 [JP] Japan 6-33972

[52] U.S. Cl. **D16/314**

[58] Field of Search D16/306, 310, D16/311, 313, 314, 319-330, 333, 335, 337, 339, 340; 351/44, 51, 111, 118, 119, 120, 136, 157, 158; 2/247, 248, 249, 253, 236

[56] References Cited

U.S. PATENT DOCUMENTS

- D. 322,081 12/1991 Longsdorf D16/314
- D. 322,616 12/1991 Wiedner D16/314
- D. 323,335 1/1992 Dalloz D16/314
- D. 334,389 3/1993 Bolle D16/314

- D. 345,744 4/1994 Hirschman D16/325
- D. 354,068 1/1995 Canavan et al. D16/321
- D. 356,322 3/1995 Bolle D16/314
- 4,850,058 7/1989 Cheng 2/448
- 4,877,320 10/1989 Holden 351/44
- 5,016,292 5/1991 Rademacher 2/448
- 5,357,292 10/1994 Wiedner 2/453

Primary Examiner—Prabhakar G. Deshmukh
Assistant Examiner—R. Barkai
Attorney, Agent, or Firm—Koda and Androlia

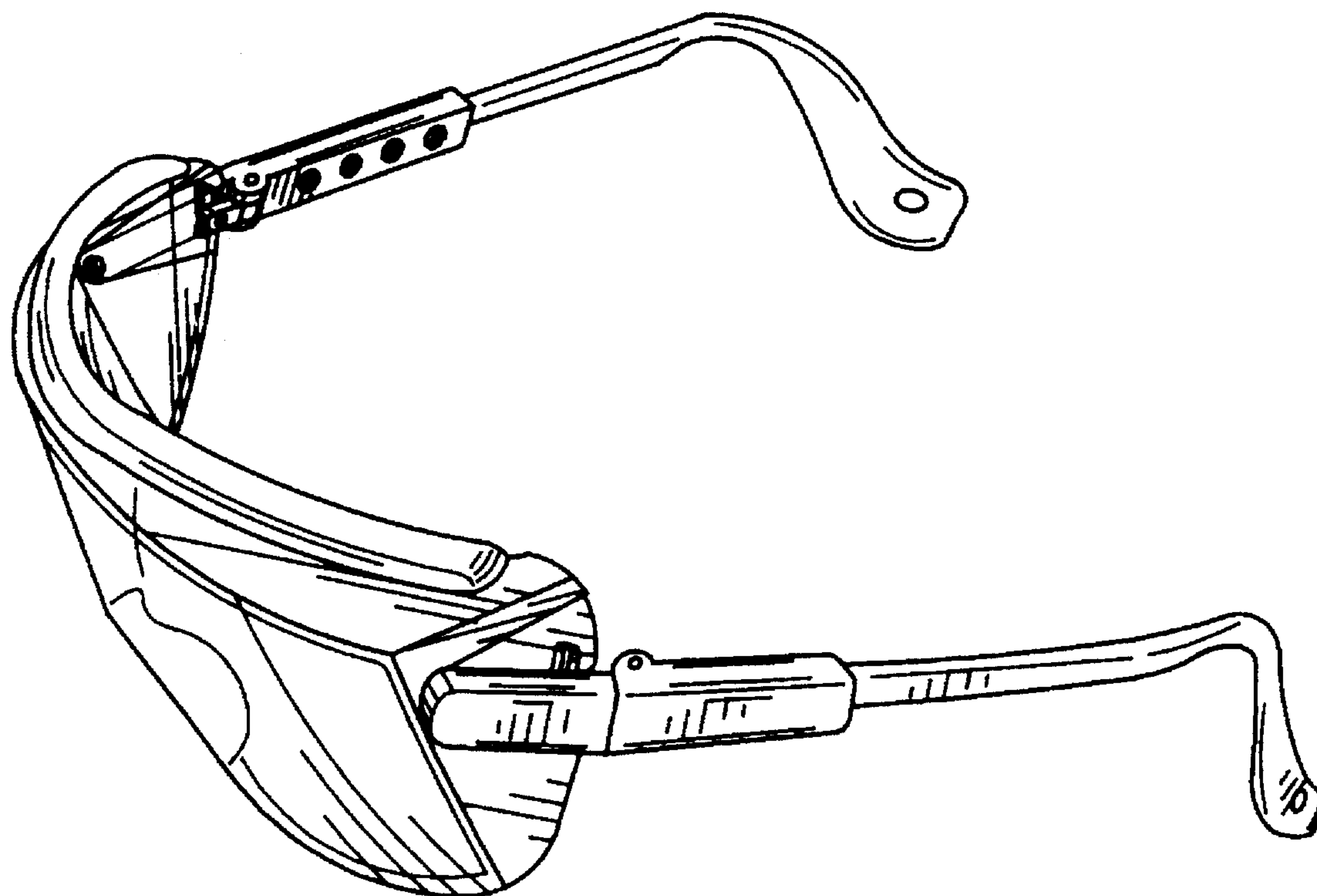
[57] CLAIM

The ornamental design for eye glasses, as shown and described.

DESCRIPTION

FIG. 1 is a perspective view taken from the top, front and right side of the eye glasses showing my new design in which the right side temple is angled downward and fully extended and the left side temple is fully shortened; FIG. 2 is a front elevational view of the eye glasses; FIG. 3 is a rear elevational view thereof; FIG. 4 is a right side elevational view thereof, the left side view being a mirror image to the right side view; FIG. 5 is a top plan view thereof; and, FIG. 6 is a bottom plan view thereof.

1 Claim, 2 Drawing Sheets



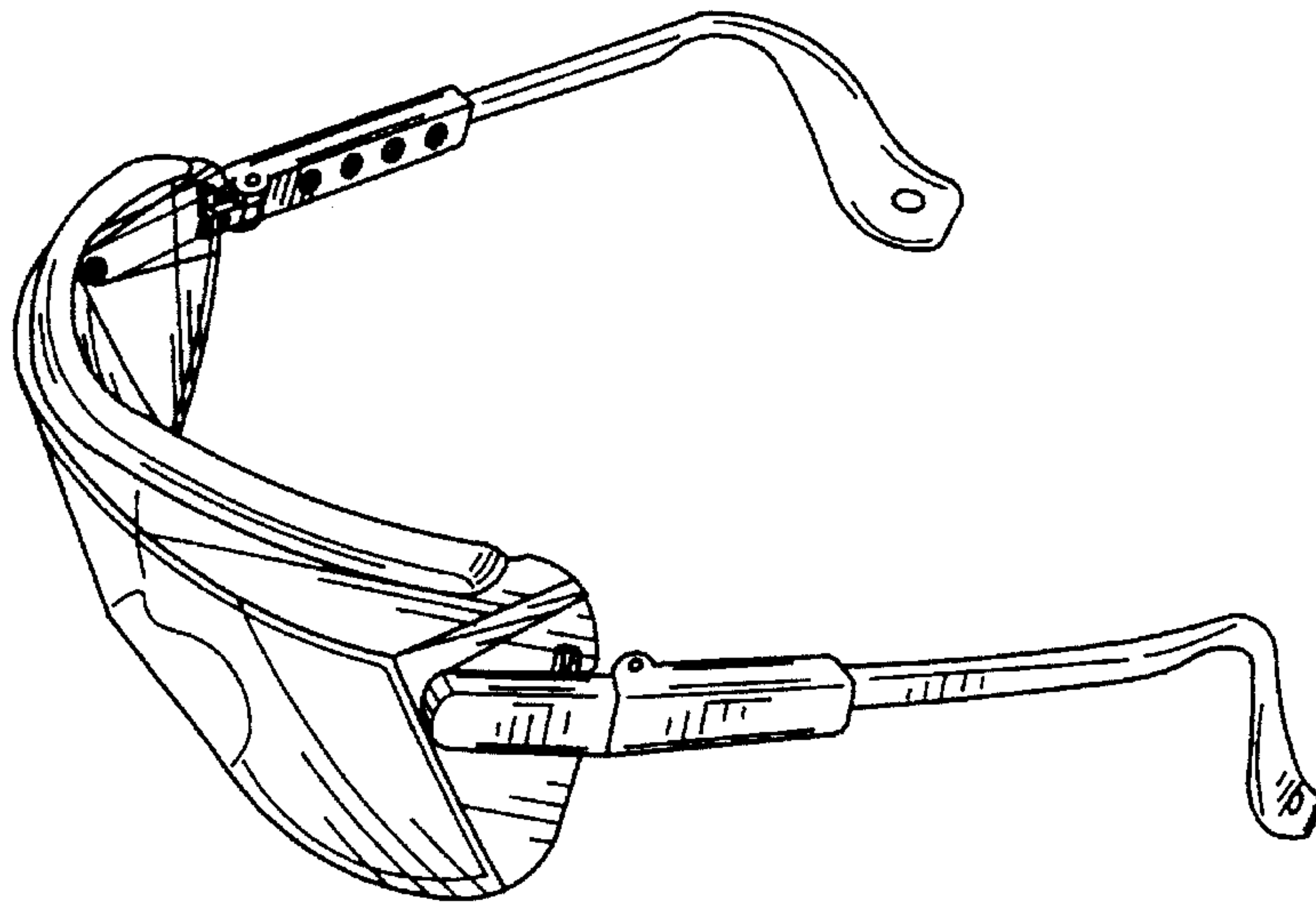


FIG. 1

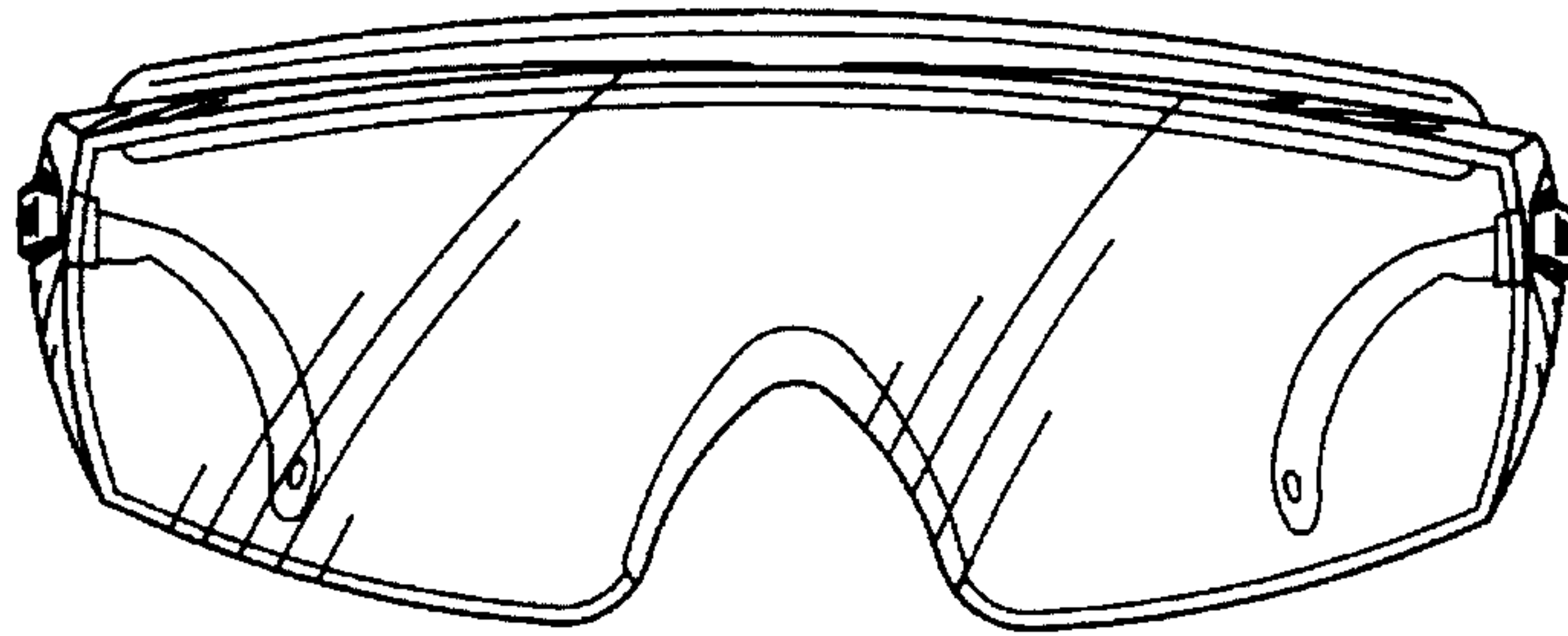


FIG. 2

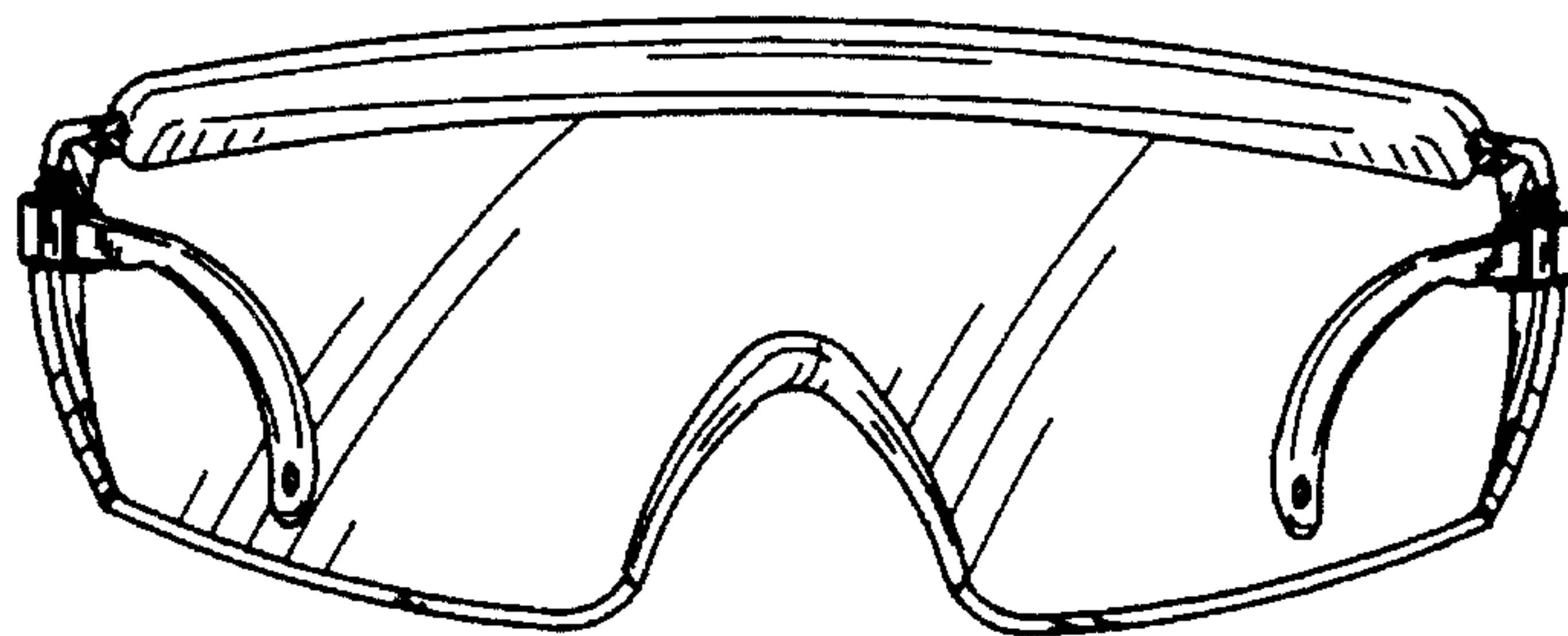


FIG. 3

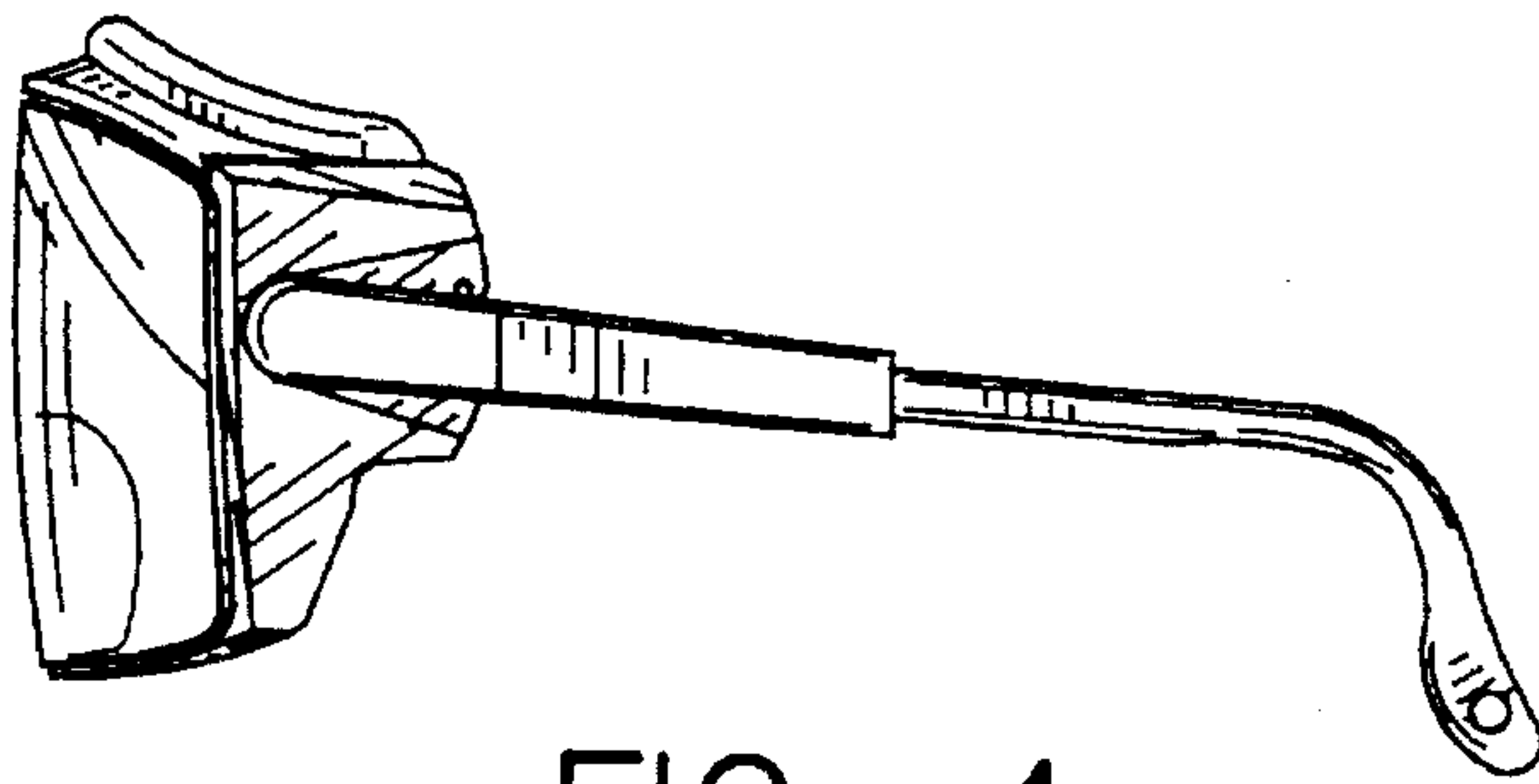


FIG. 4

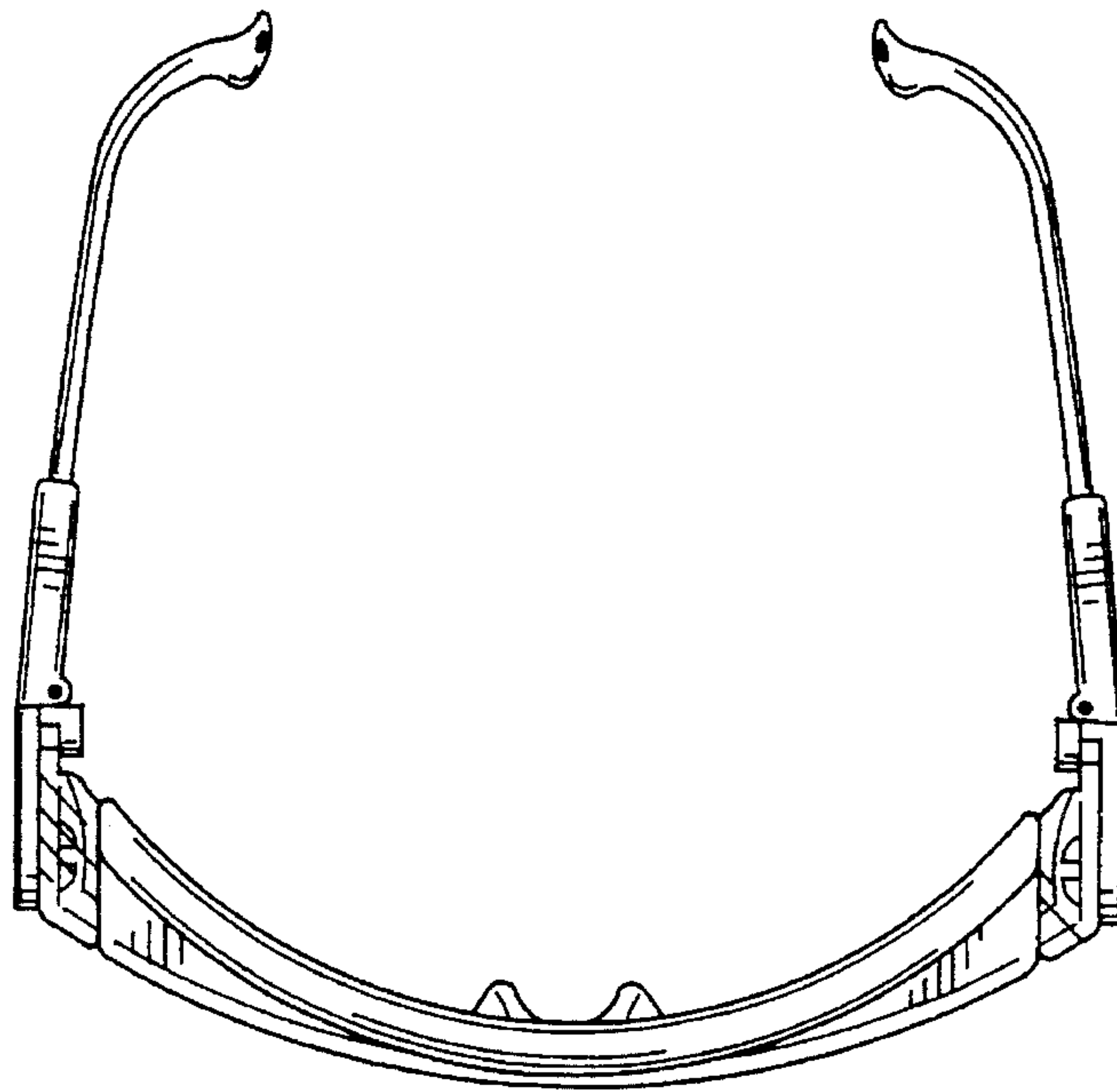


FIG. 5

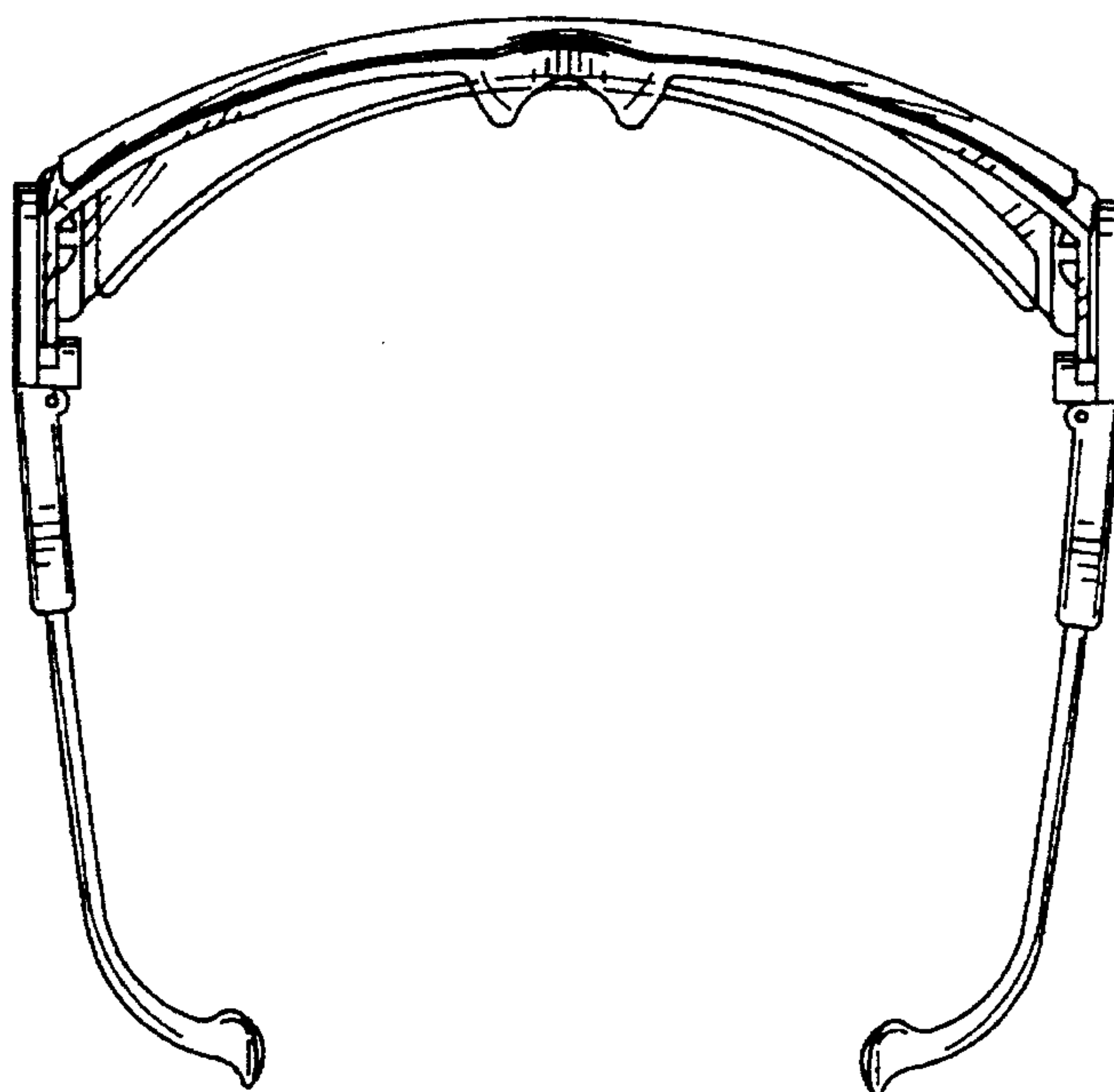


FIG. 6