



US00D370926S

United States Patent [19]

Nakamura

[11] Patent Number: **Des. 370,926**

[45] Date of Patent: ****Jun. 18, 1996**

[54] CAMERA

4,406,533 9/1983 Yamamoto 354/288

[75] Inventor: **Yoko Nakamura**, Kanagawa, Japan

OTHER PUBLICATIONS

[73] Assignee: **Ricoh Company, Ltd.**, Tokyo, Japan

Popular Photography, Dec. 1987 p. 13 (Nikon's 35 mm camera).

[**] Term: **14 Years**

Primary Examiner—Prabhakar G. Deshmukh

Assistant Examiner—Adir Aronovich

Attorney, Agent, or Firm—Dickstein, Shapiro & Morin

[21] Appl. No.: **26,109**

[22] Filed: **Jul. 18, 1994**

[57] CLAIM

[30] Foreign Application Priority Data

The ornamental design for camera, as shown and described.

Jan. 18, 1994 [JP] Japan 6-000626

[52] U.S. Cl. **D16/217**

DESCRIPTION

[58] Field of Search D16/200-205,
D16/208, 209, 216-218; 354/126, 149.11,
152, 202, 288

FIG. 1 is a top, front, and left side perspective view of a camera showing our new design;

FIG. 2 is a front elevational view thereof;

FIG. 3 is a rear elevational view thereof;

FIG. 4 is a left side elevational view thereof;

FIG. 5 is a right side elevational view thereof;

FIG. 6 is a top plan view thereof; and,

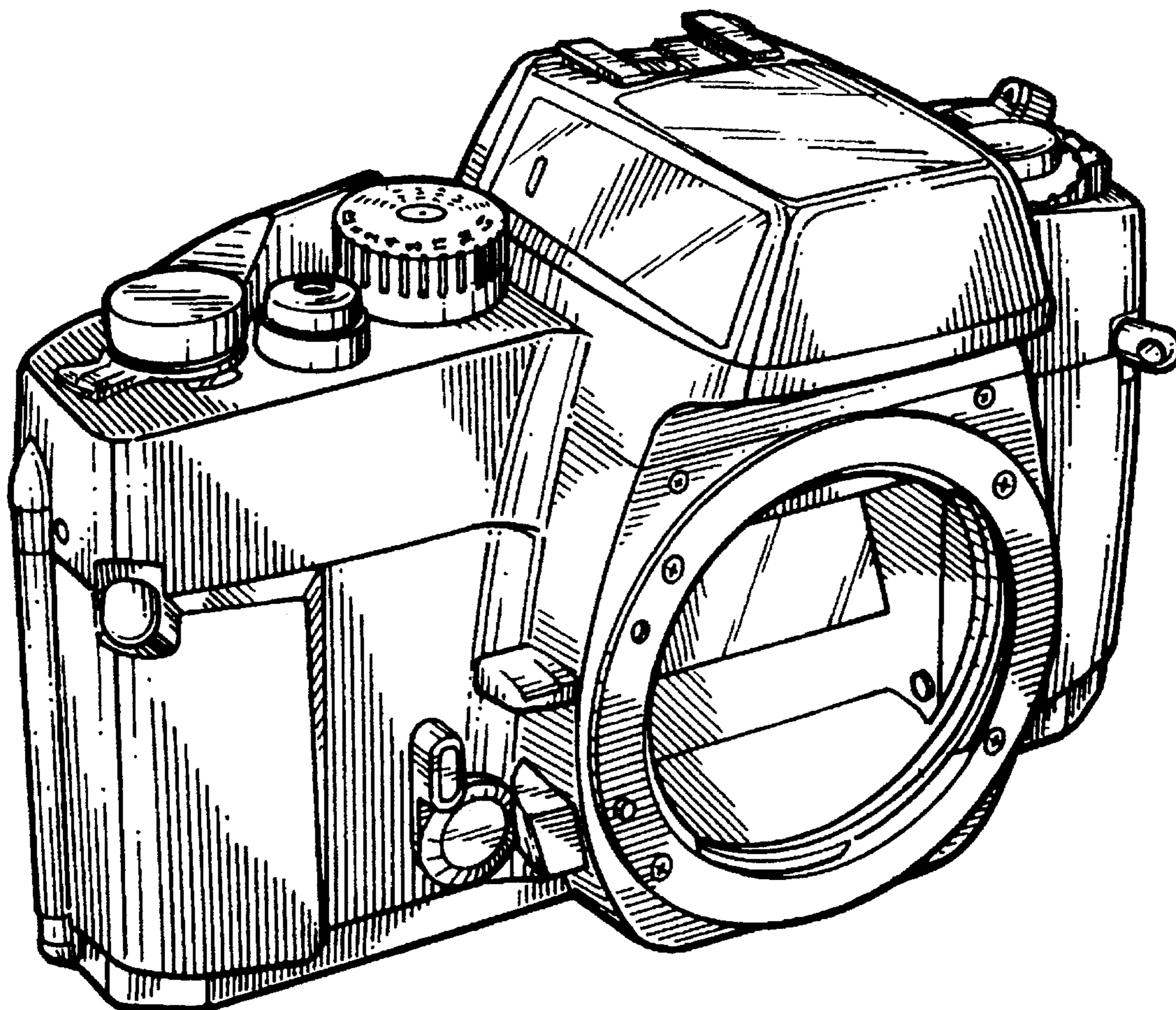
FIG. 7 is a bottom plan view thereof.

[56] References Cited

U.S. PATENT DOCUMENTS

- D. 296,561 7/1988 Colani et al. D16/217
- D. 304,729 11/1989 Sugiyama et al. D16/217
- D. 317,929 7/1991 Tanaka et al. D16/217
- D. 329,656 9/1992 Shishikura D16/217

1 Claim, 4 Drawing Sheets



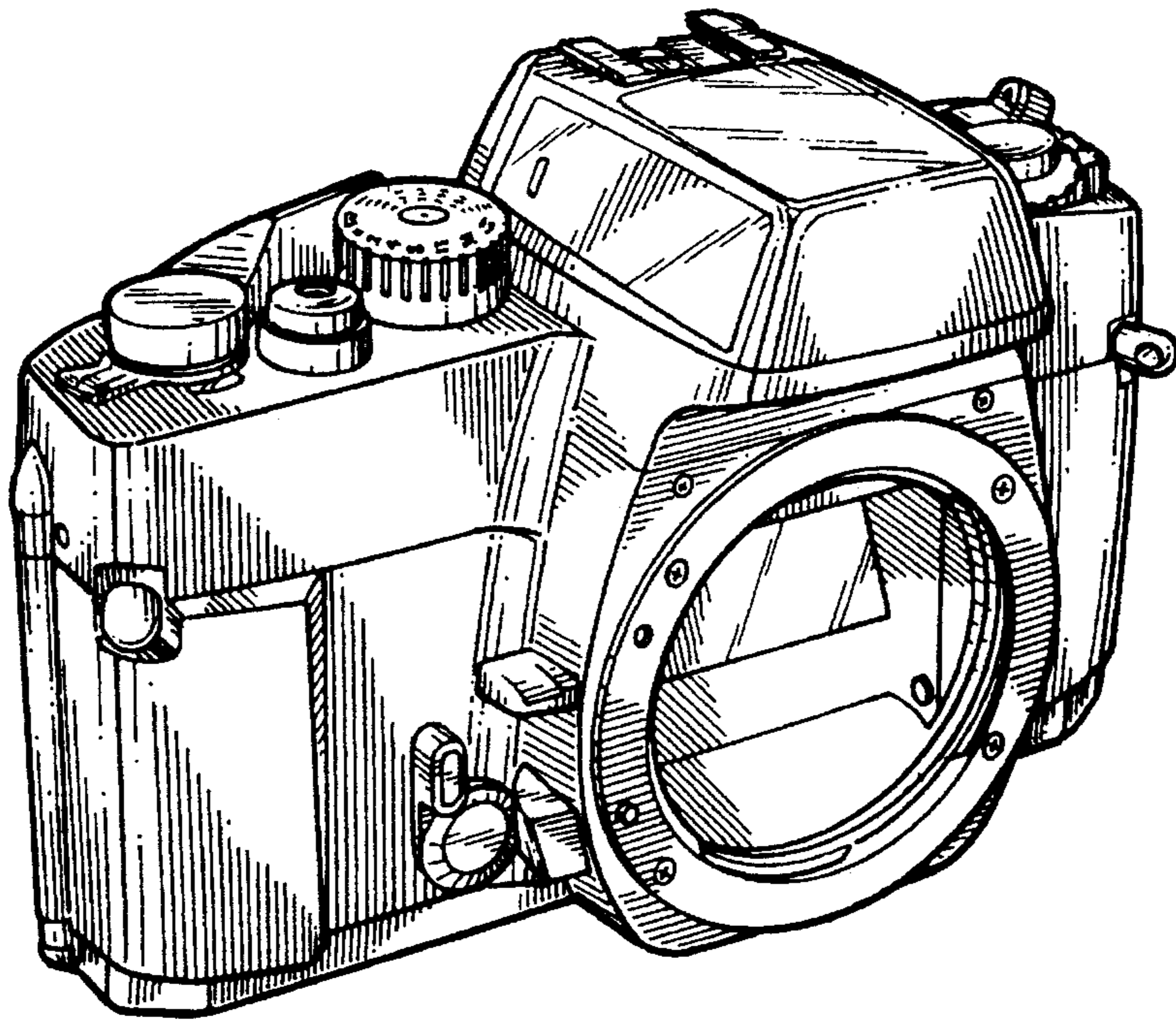


FIG. 1

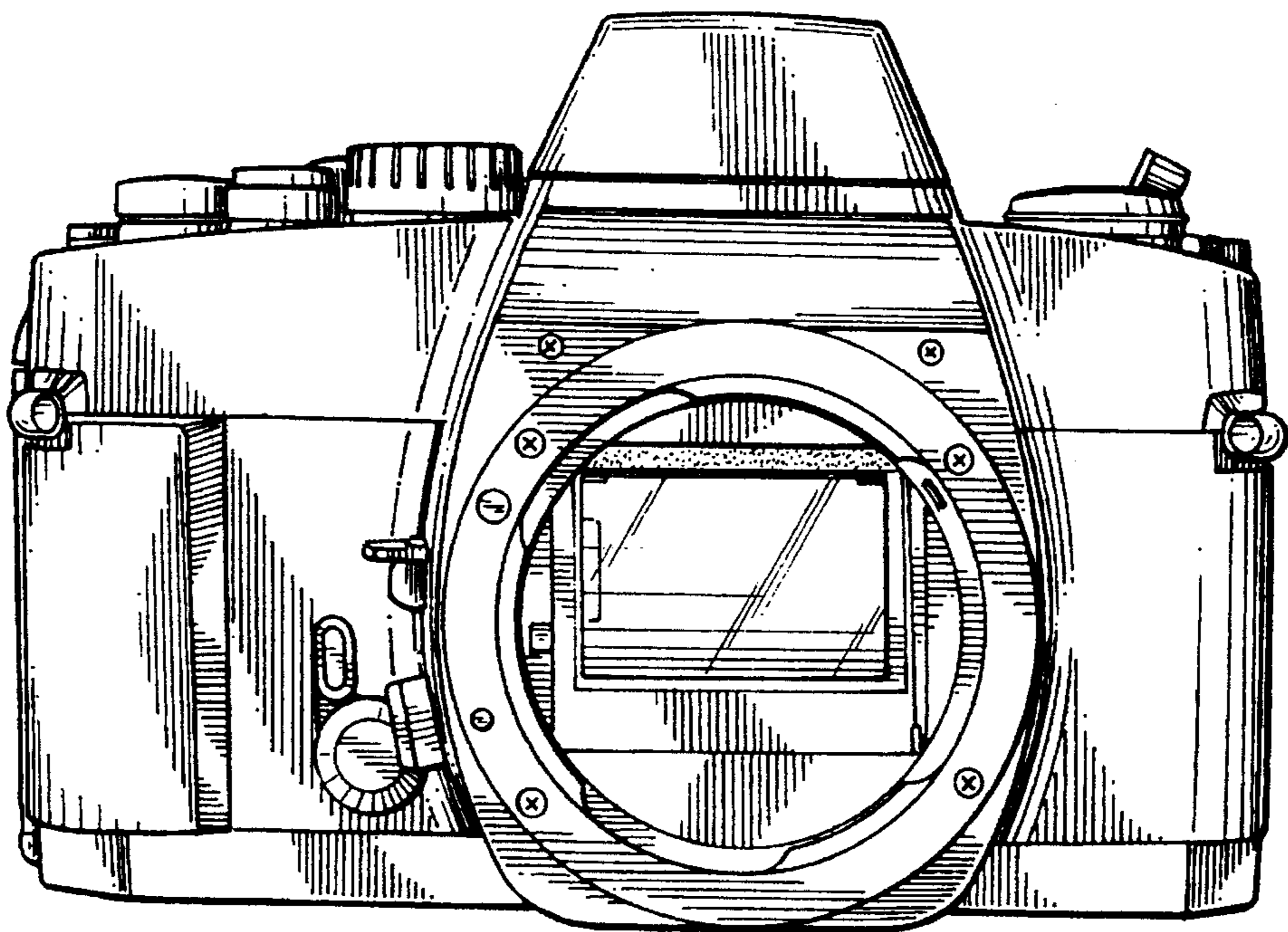


FIG. 2

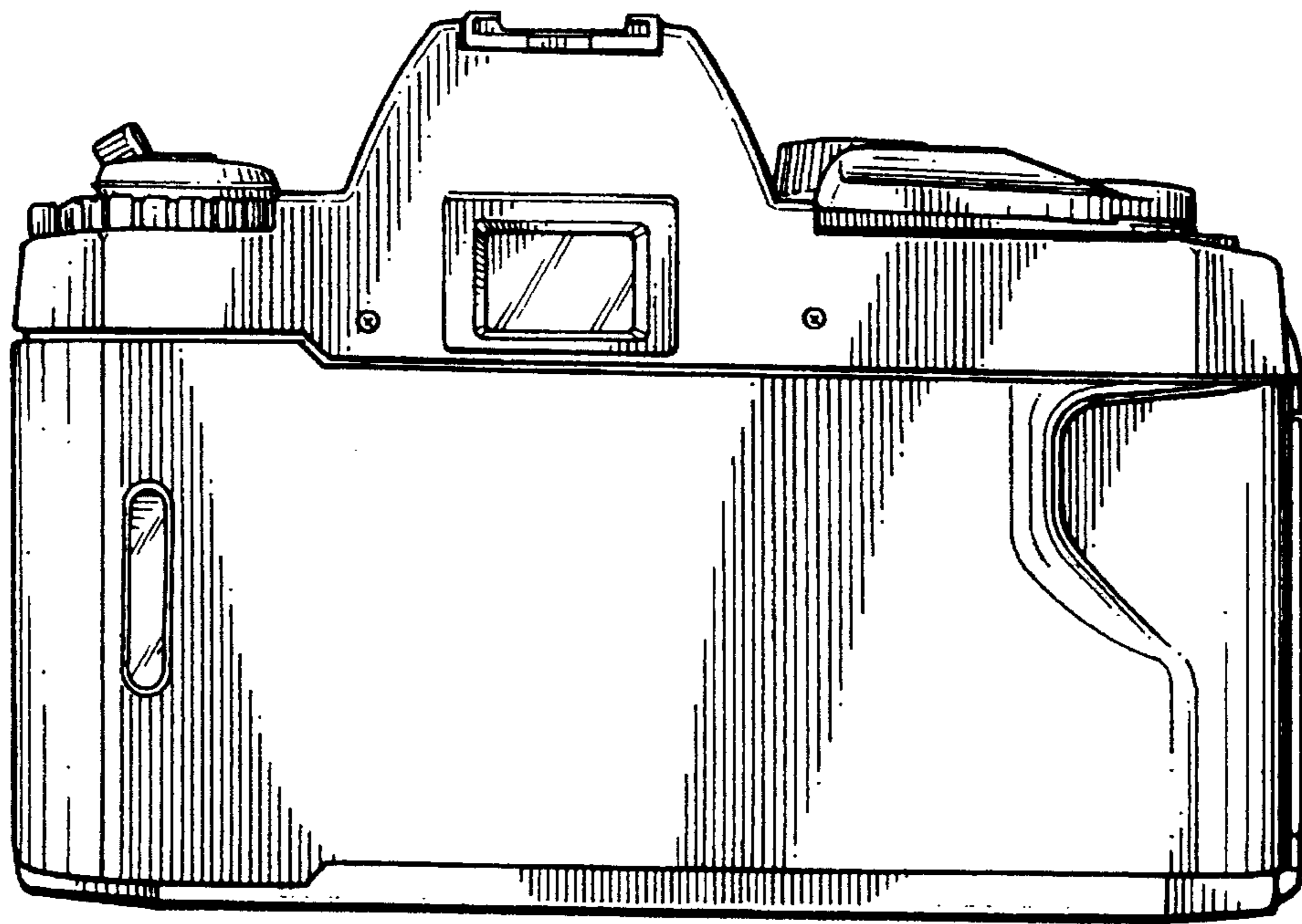


FIG. 3

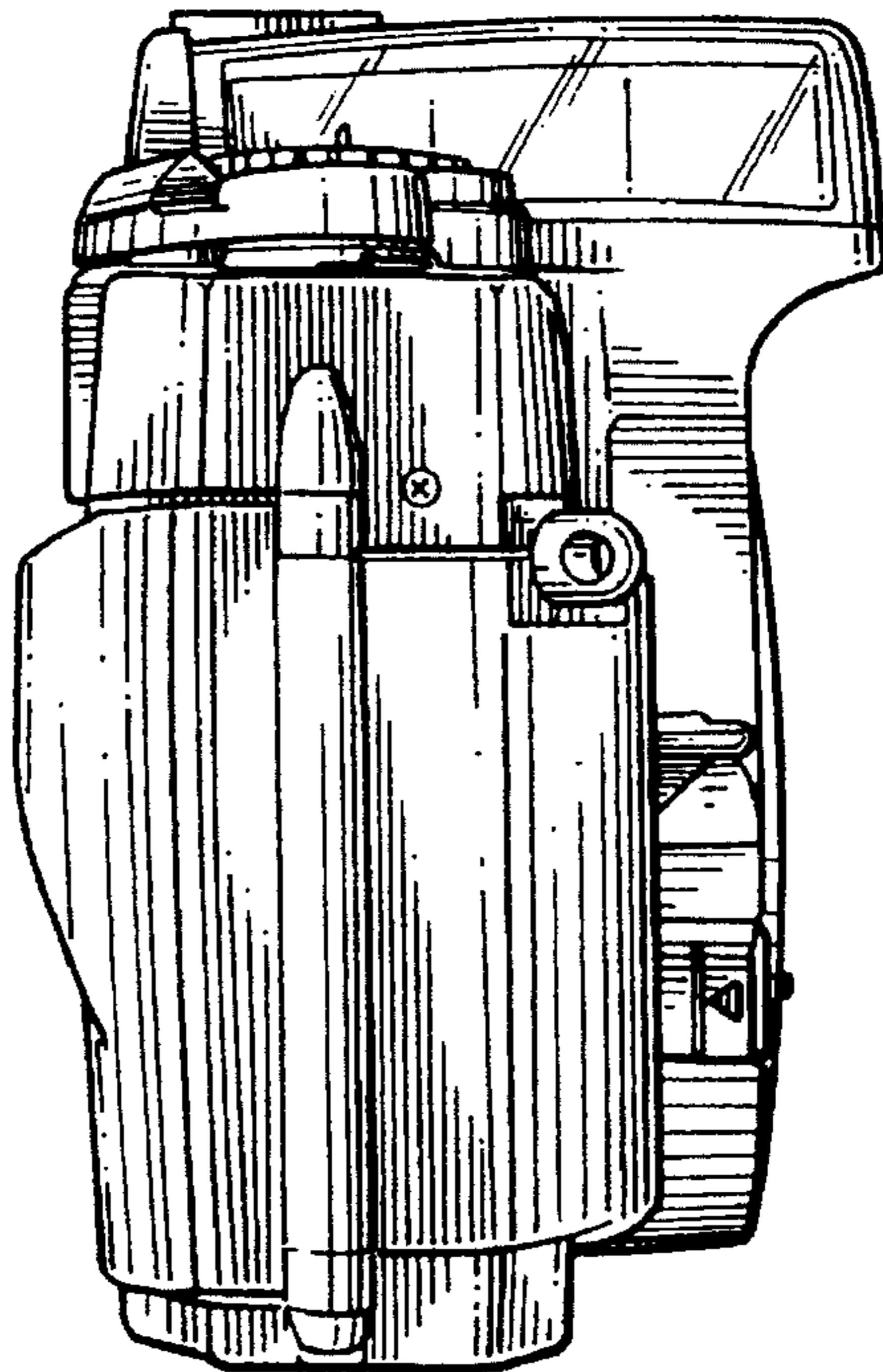


FIG. 4

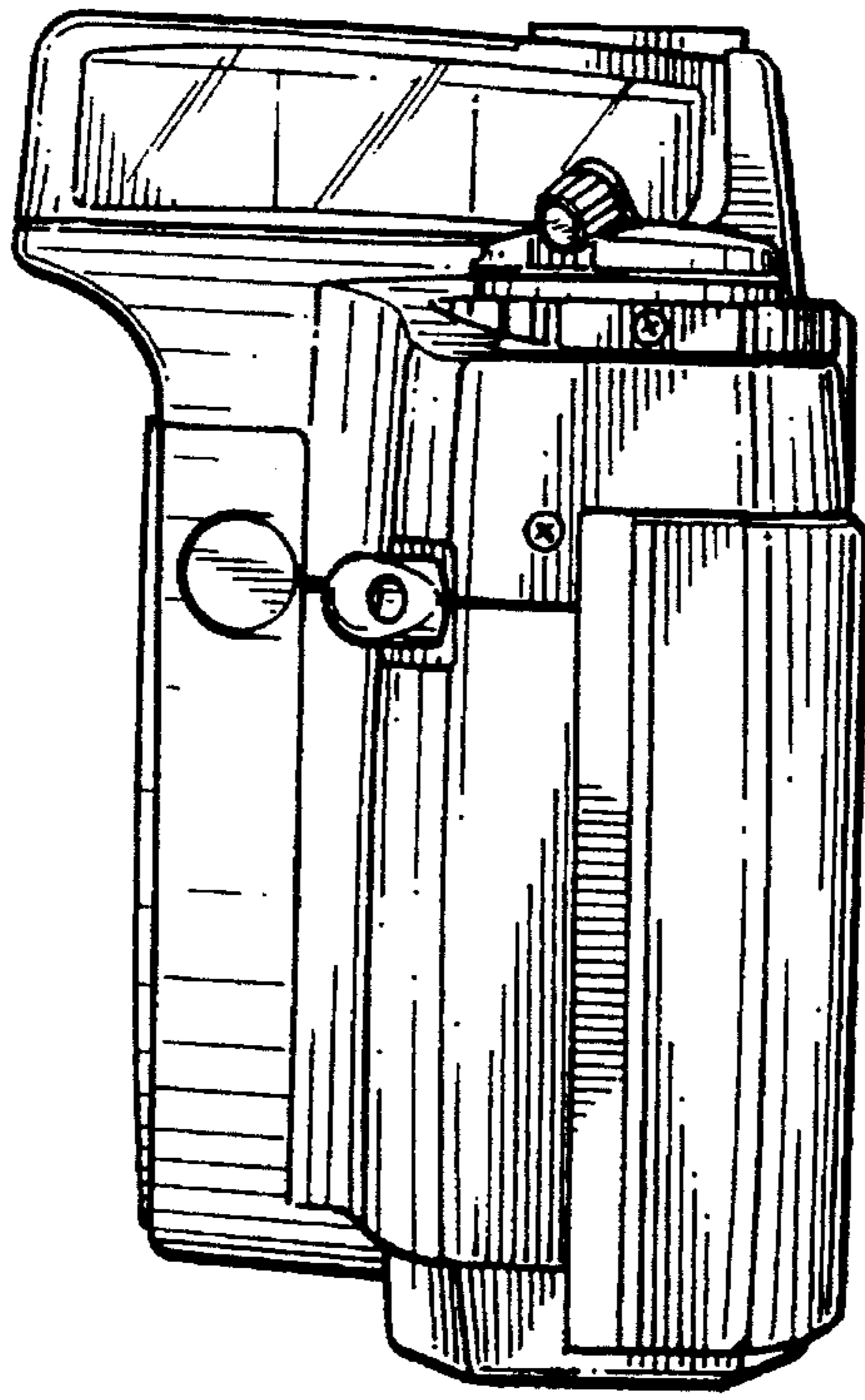


FIG. 5

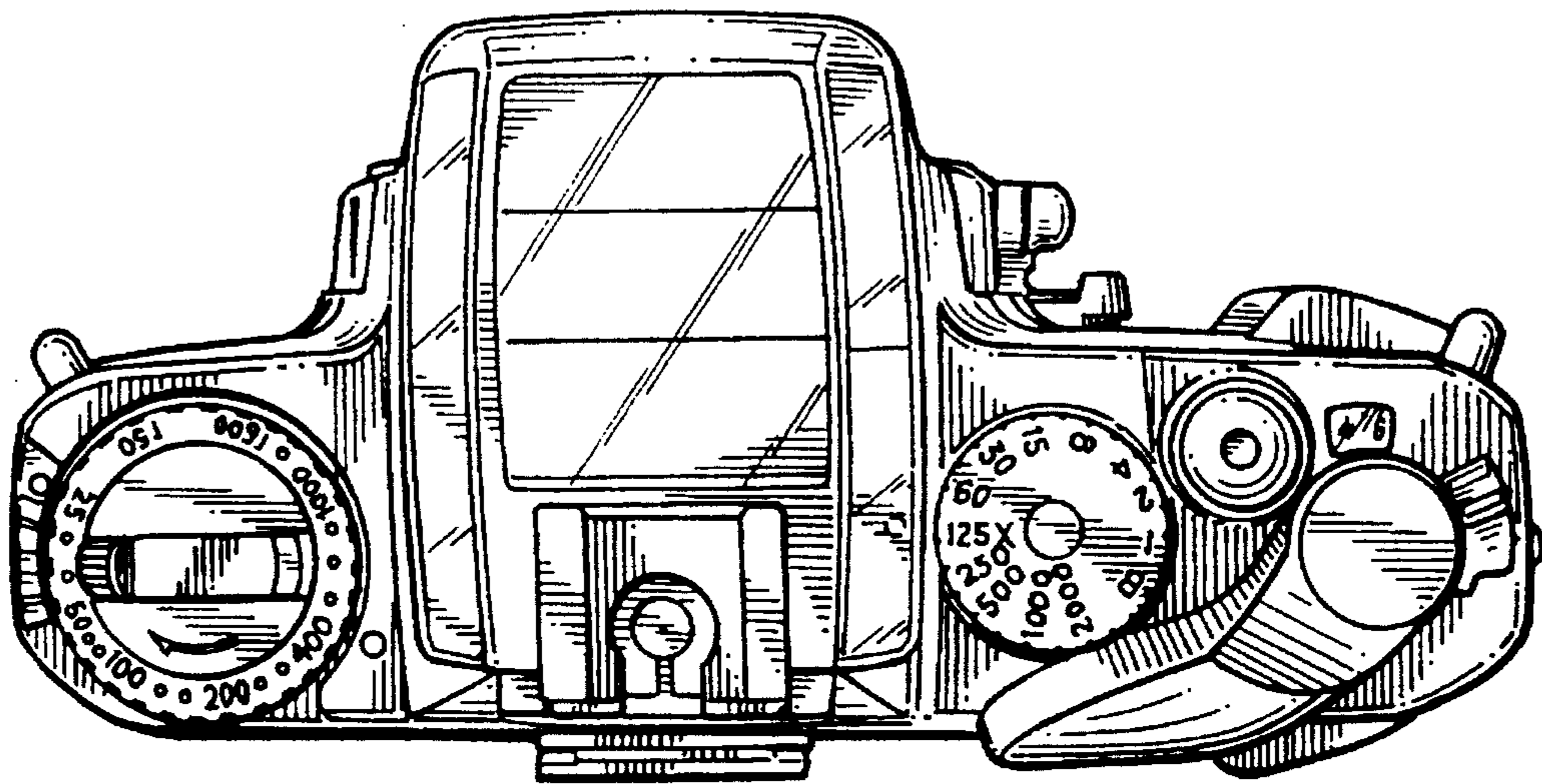


FIG. 6

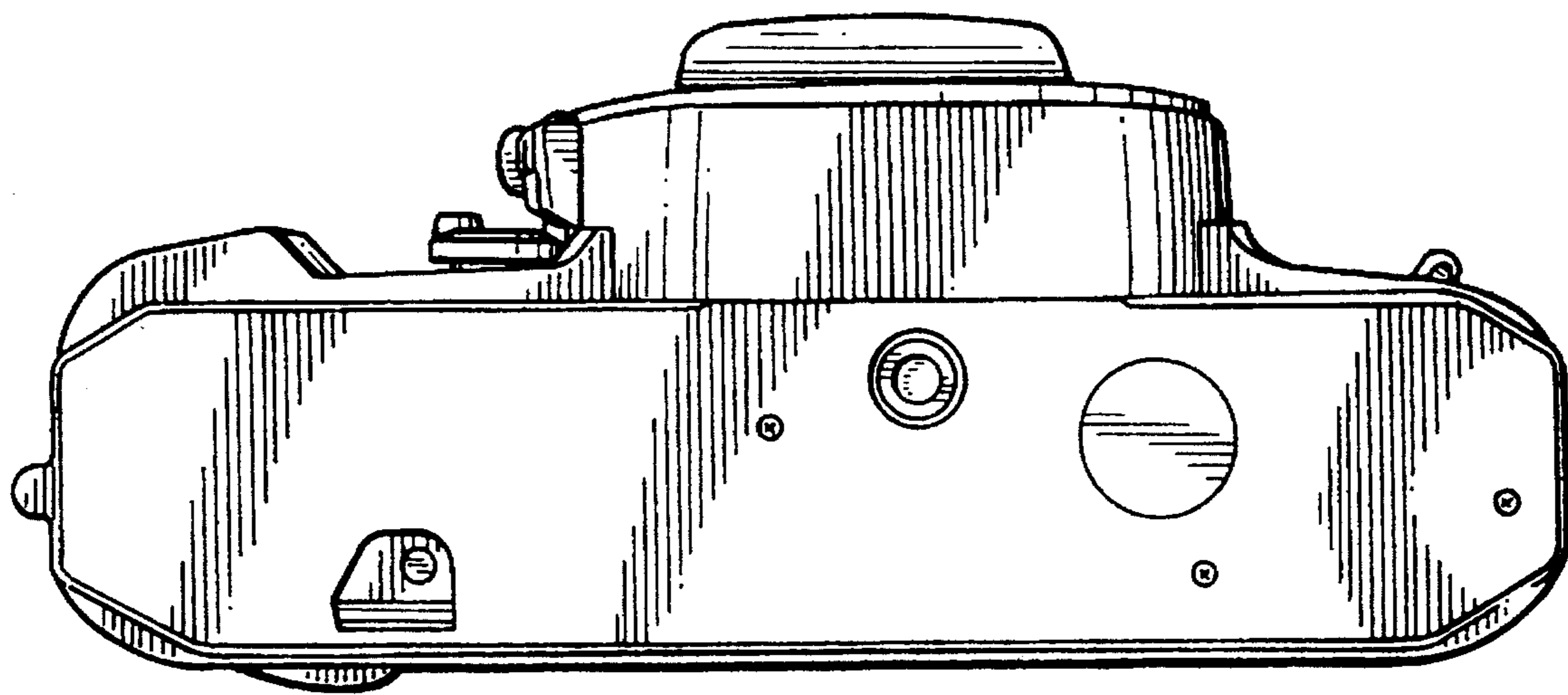


FIG. 7