



US00D370924S

United States Patent [19]

McBride et al.

[11] Patent Number: **Des. 370,924**

[45] Date of Patent: ****Jun. 18, 1996**

[54] CAMERA WITH FOLDING FLASH

[75] Inventors: **John K. McBride; Gary K. Smithborne**, both of Rochester, N.Y.

[73] Assignee: **Eastman Kodak Company**, Rochester, N.Y.

[**] Term: **14 Years**

[21] Appl. No.: **40,883**

[22] Filed: **Jun. 29, 1995**

[52] U.S. Cl. **D16/209**

[58] Field of Search D16/200-205,
D16/208, 209, 211, 216, 217, 218; 354/126,
127.11, 149.11, 187, 145.1, 288

[56] References Cited

U.S. PATENT DOCUMENTS

D. 285,208	8/1986	Nakayama	D16/209
D. 306,036	2/1990	Nakayama et al.	D16/209
D. 311,546	10/1990	Leonard et al.	D16/209
D. 358,831	5/1995	Kozu	D16/209
4,319,818	3/1982	Sawara	354/145.1
5,212,510	5/1993	Baxter	354/187

Primary Examiner—Ted Shooman
Assistant Examiner—Adir Aronovich

Attorney, Agent, or Firm—Roger A. Fields

[57] CLAIM

The ornamental design for a camera with folding flash, as shown.

DESCRIPTION

FIG. 1 is a front, top, right-side perspective view of a camera with a folding flash in a folded position, showing our new design;

FIG. 2 is a rear, bottom, left-side perspective view thereof;

FIG. 3 is a front elevation view thereof;

FIG. 4 is a rear elevation view thereof;

FIG. 5 is a right-side elevation view thereof;

FIG. 6 is a left-side elevation view thereof;

FIG. 7 is a top plan view thereof;

FIG. 8 is a bottom plan view thereof;

FIG. 9 is a front, top, right-side perspective view thereof, with the folding flash in a unfolded position;

FIG. 10 is a rear, bottom, left-side perspective view thereof;

FIG. 11 is a front elevation view thereof;

FIG. 12 is a rear elevation view thereof;

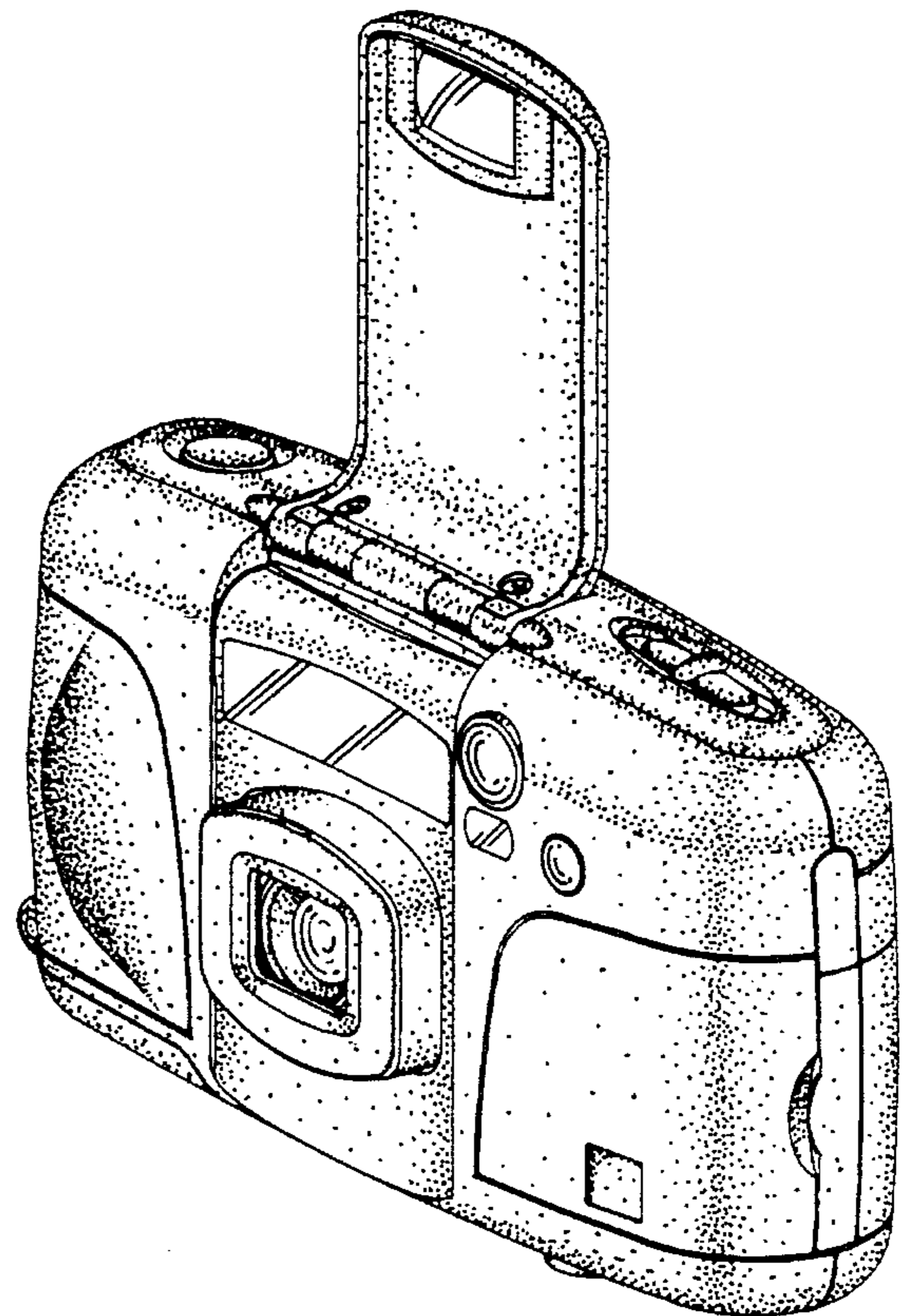
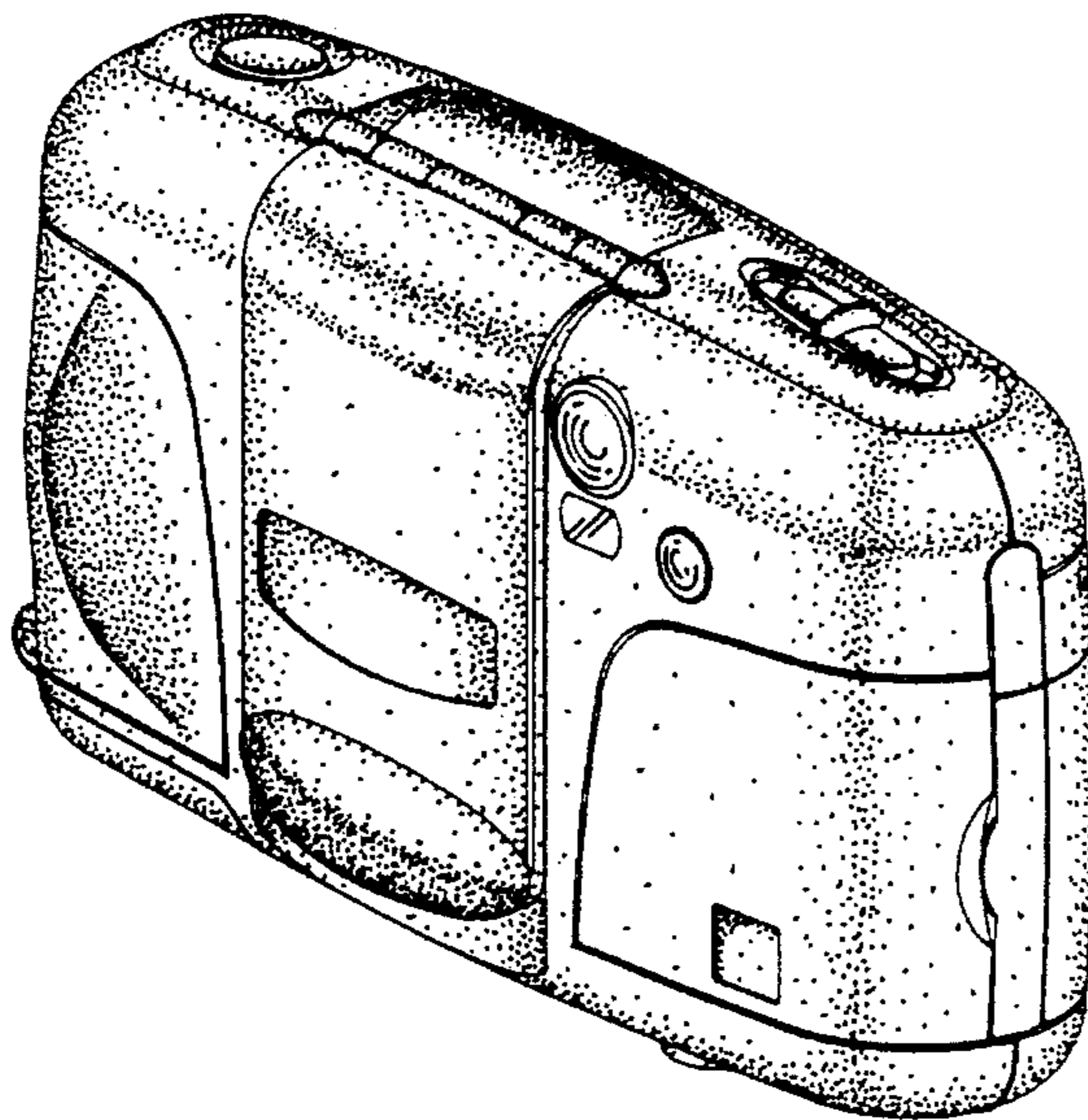
FIG. 13 is a right-side elevation view thereof;

FIG. 14 is a left-side elevation view thereof;

FIG. 15 is a top plan view thereof; and,

FIG. 16 is a bottom plan view thereof.

1 Claim, 16 Drawing Sheets



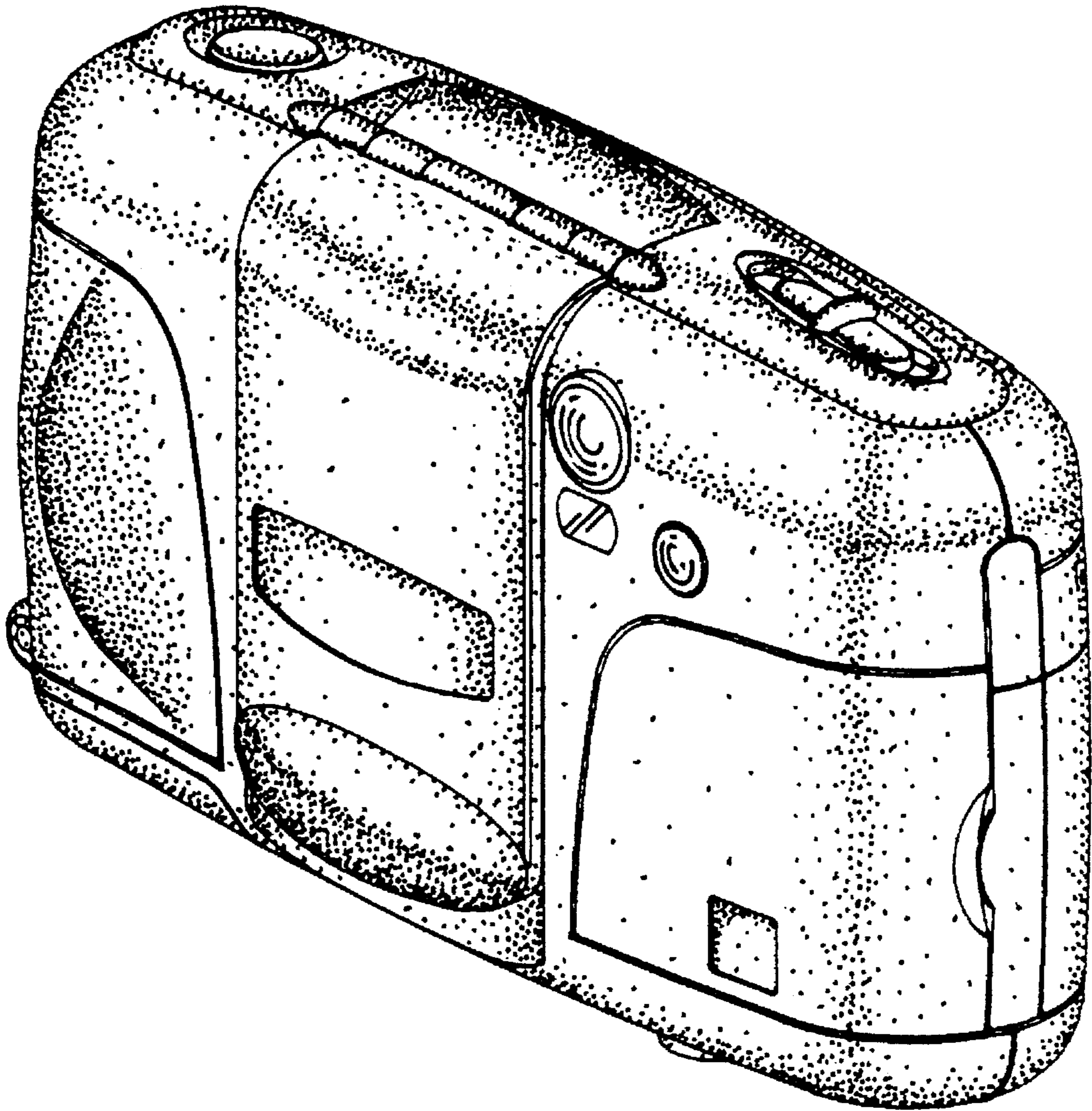


FIG. 1

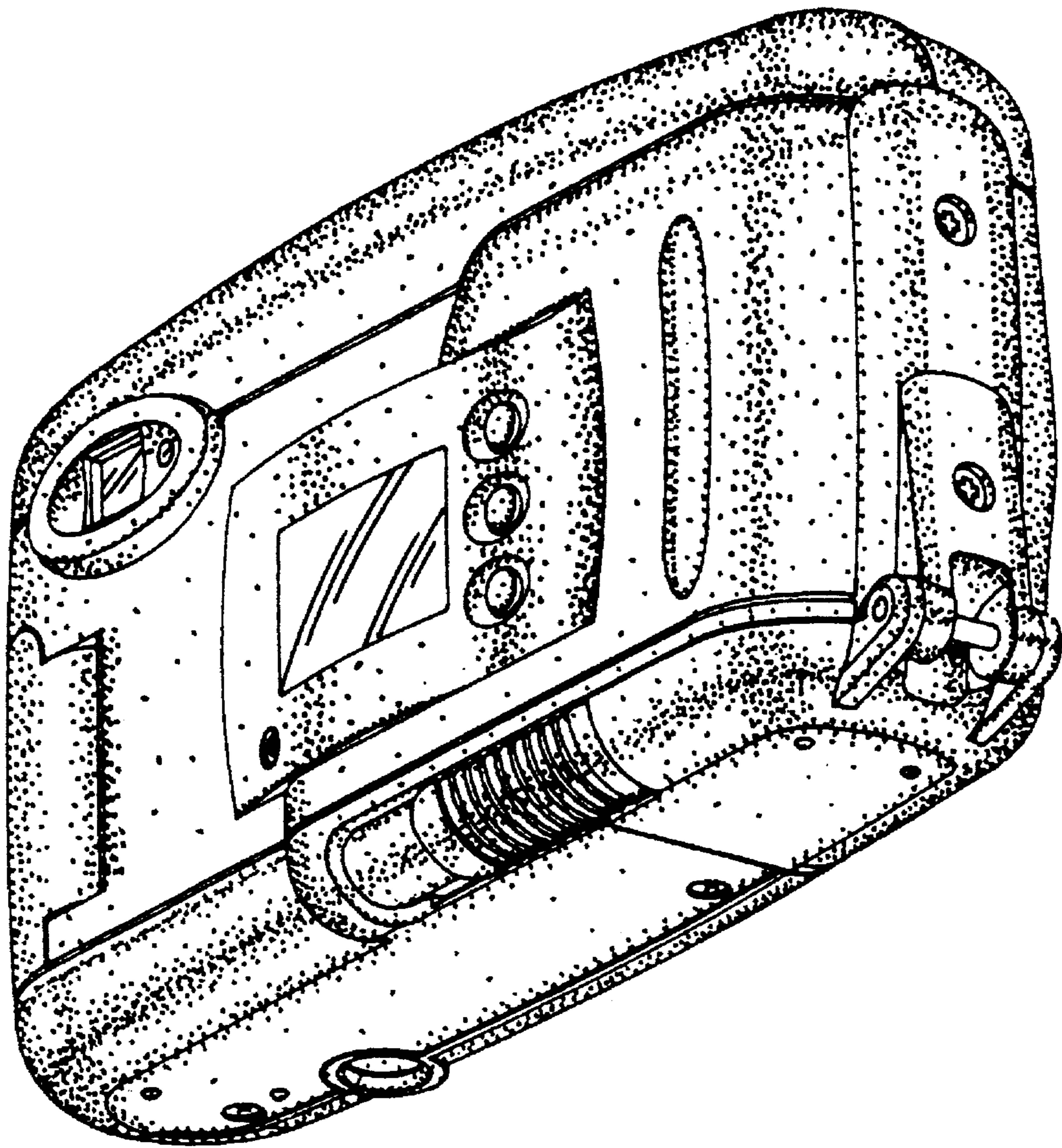


FIG. 2

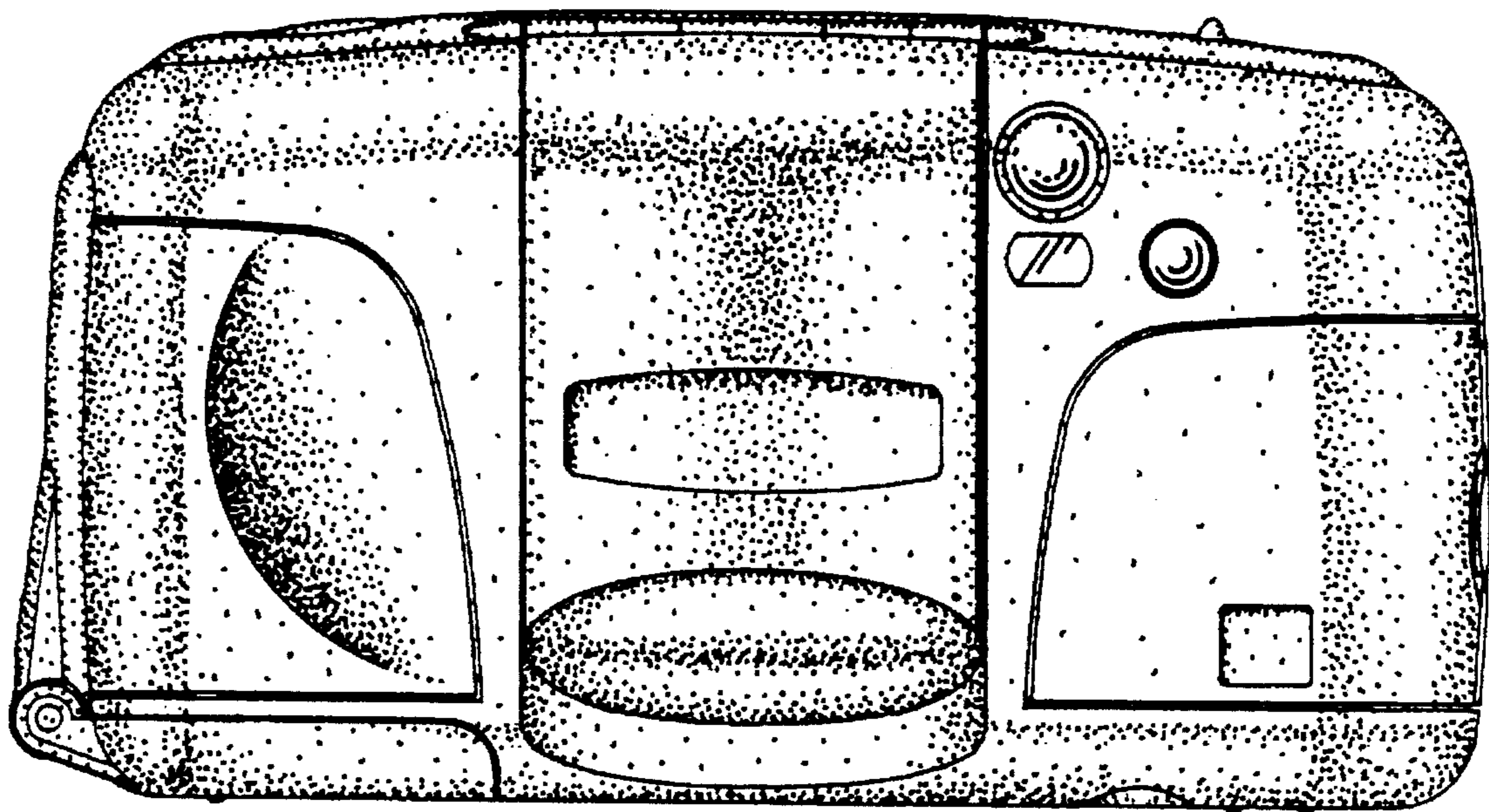


FIG. 3

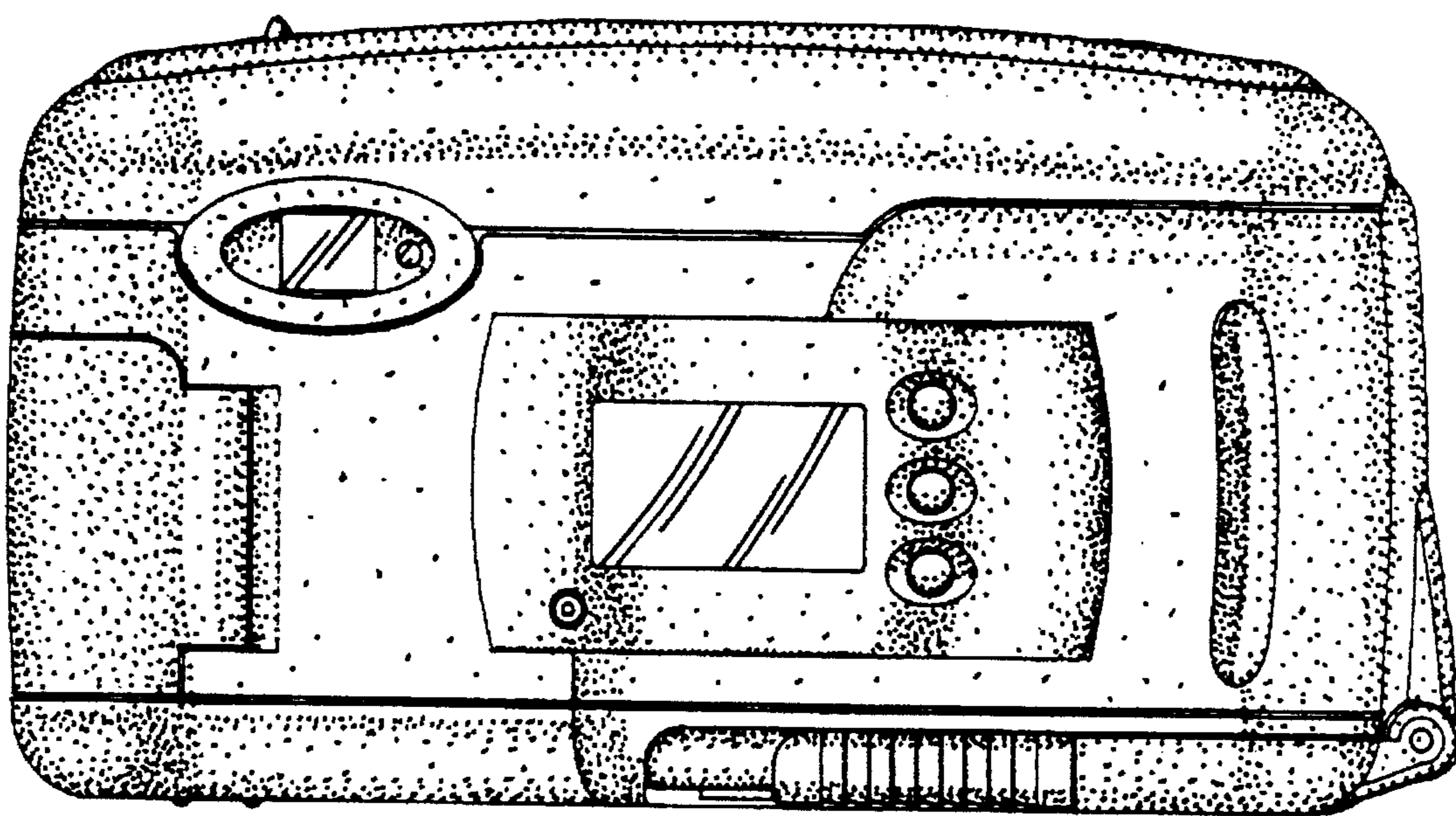


FIG. 4

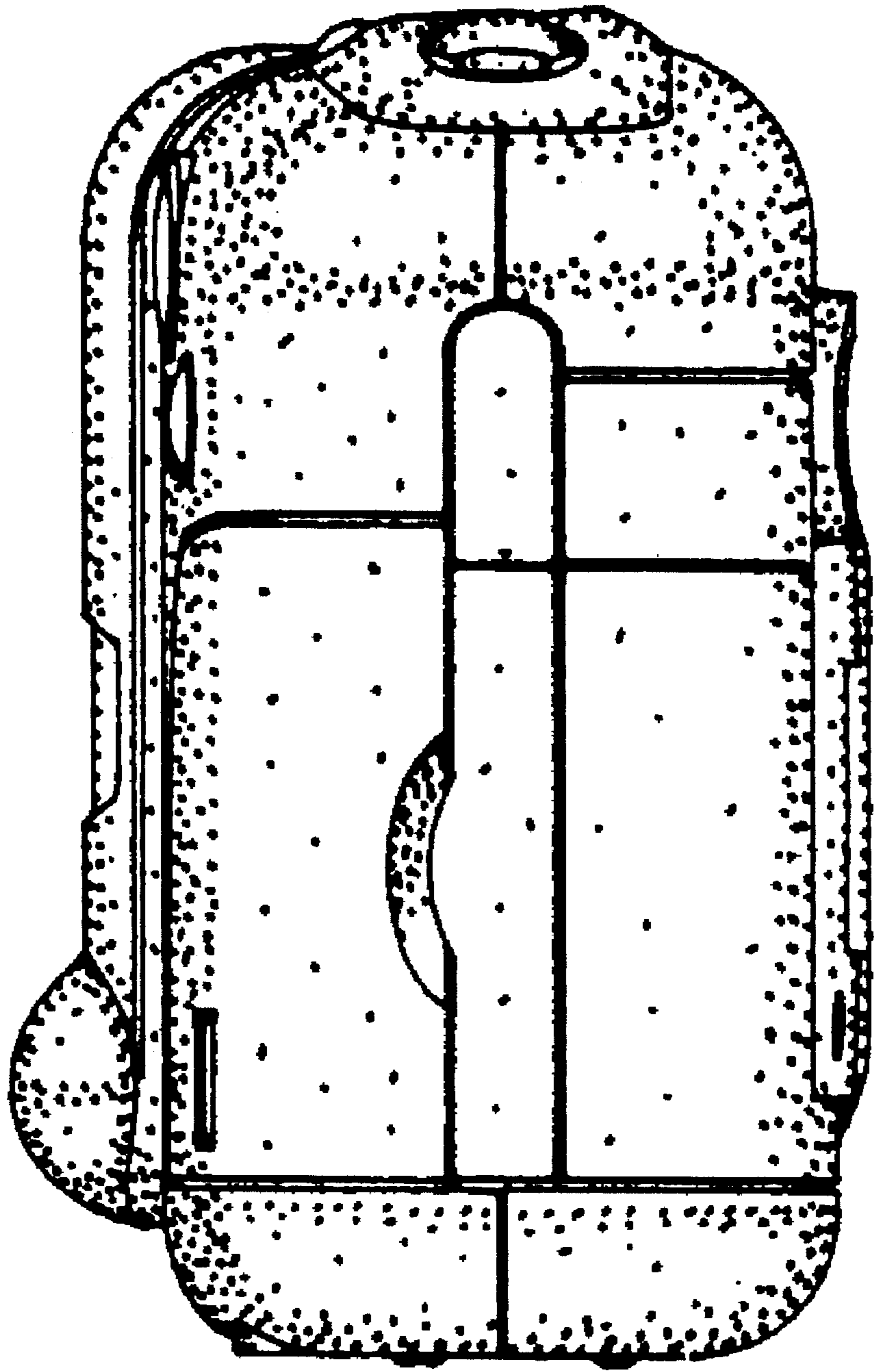


FIG. 5

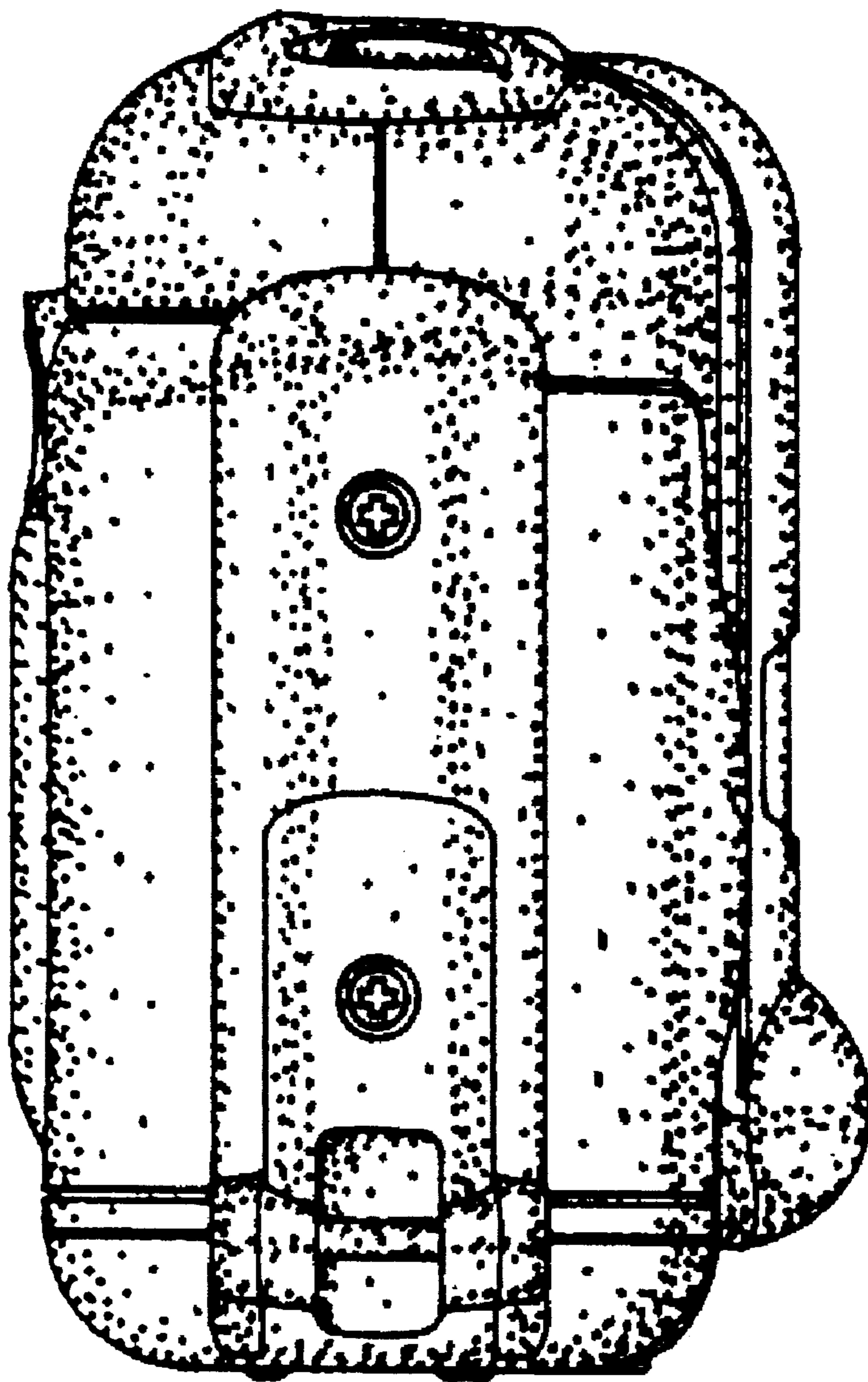


FIG. 6

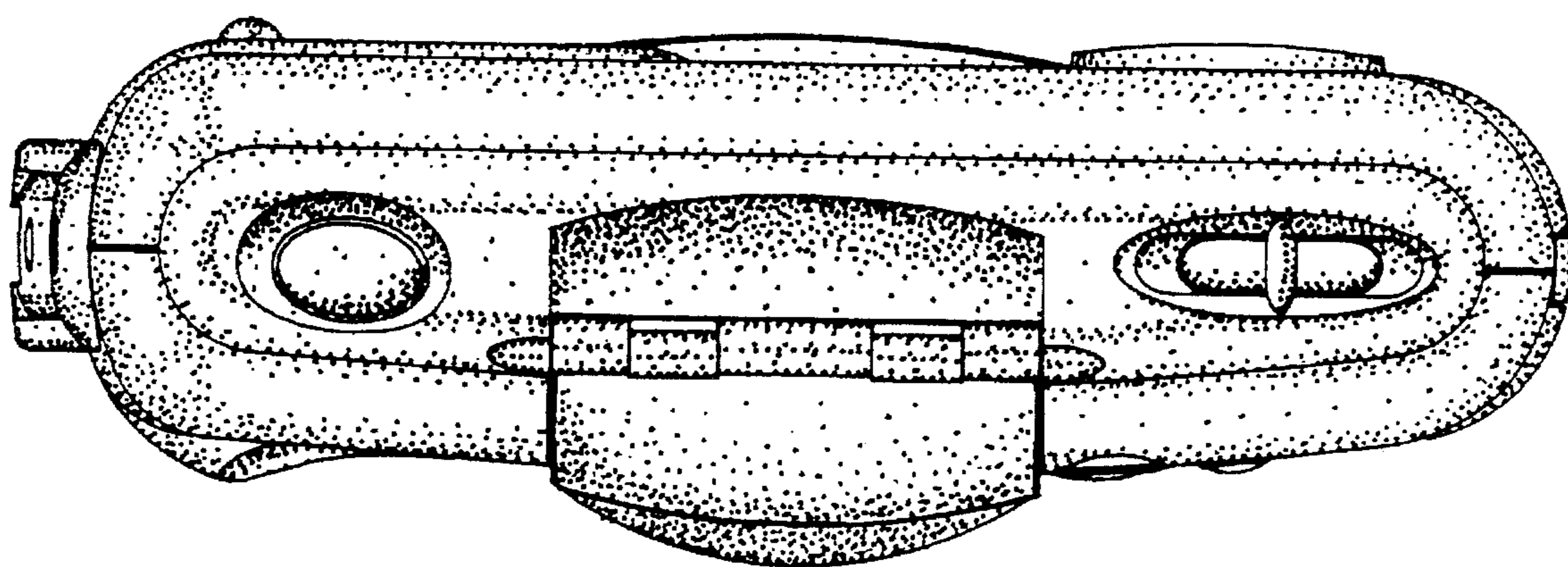


FIG. 7

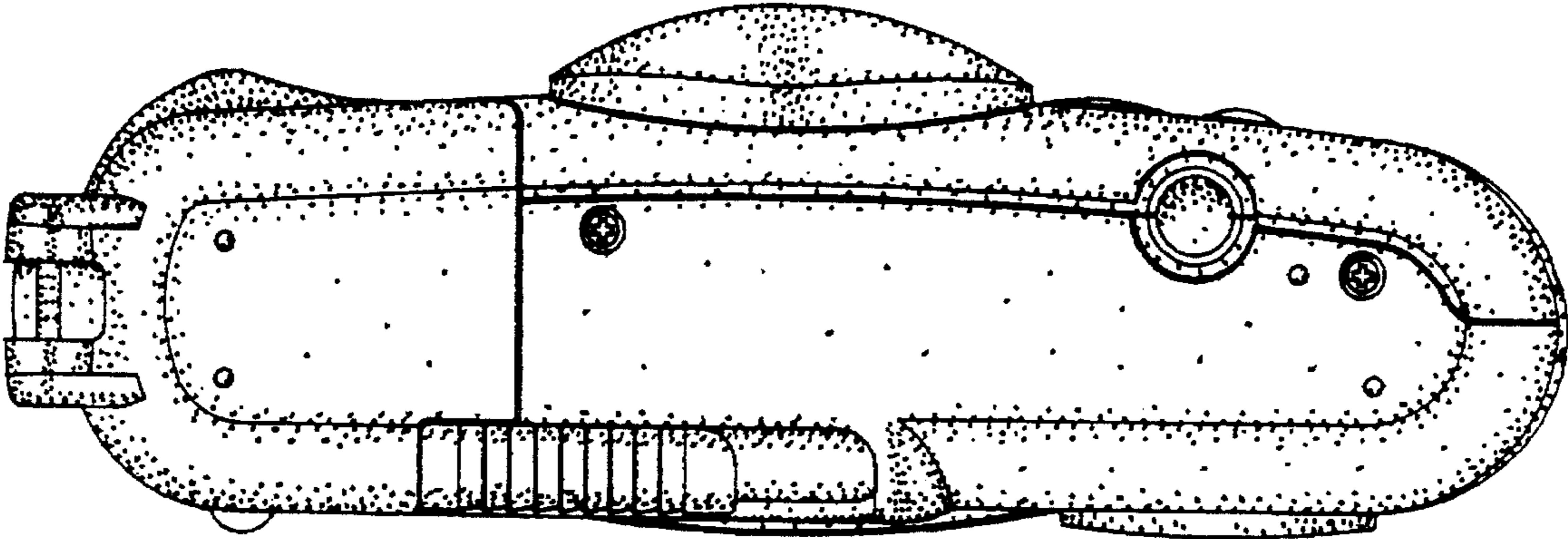


FIG. 8

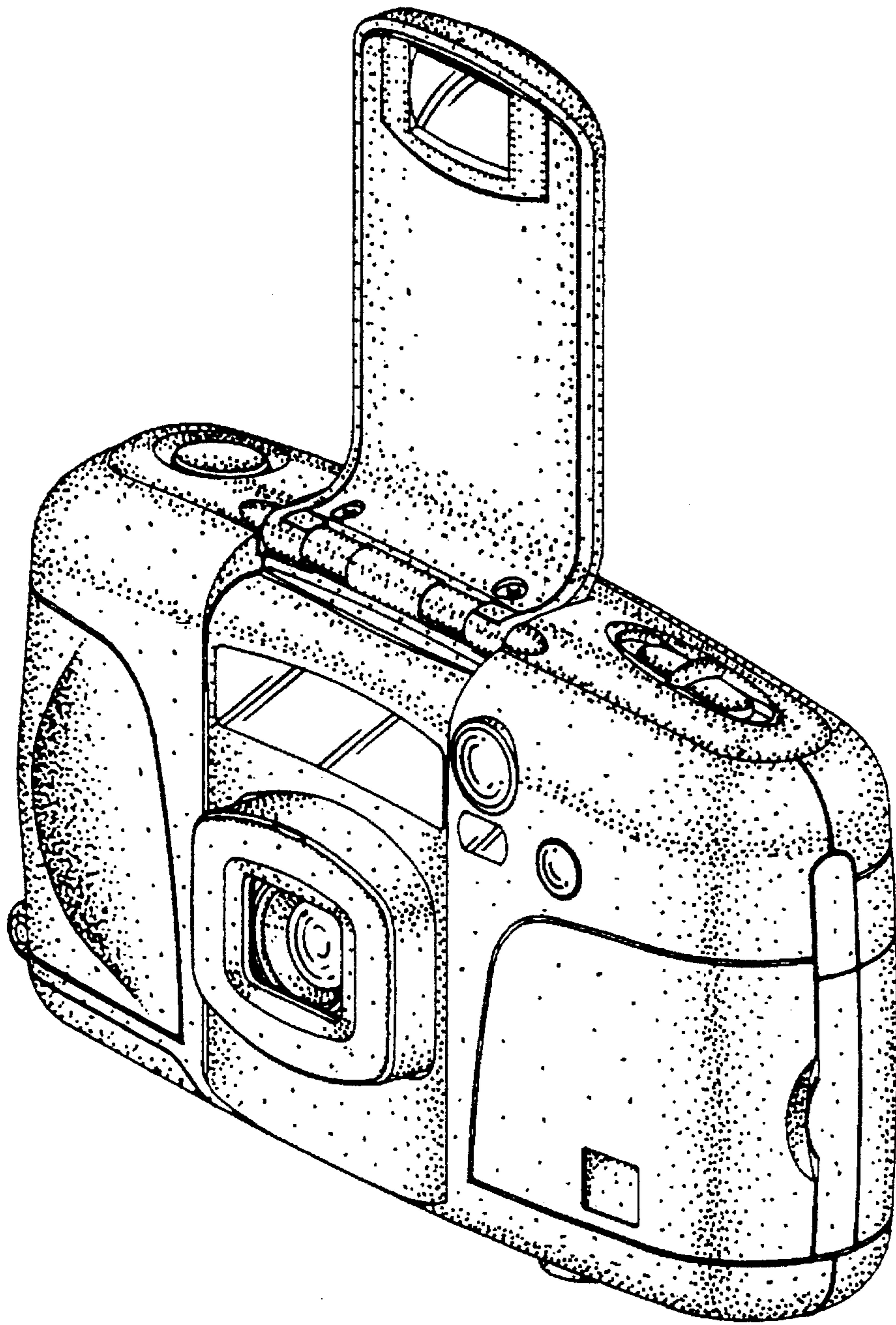


FIG. 9

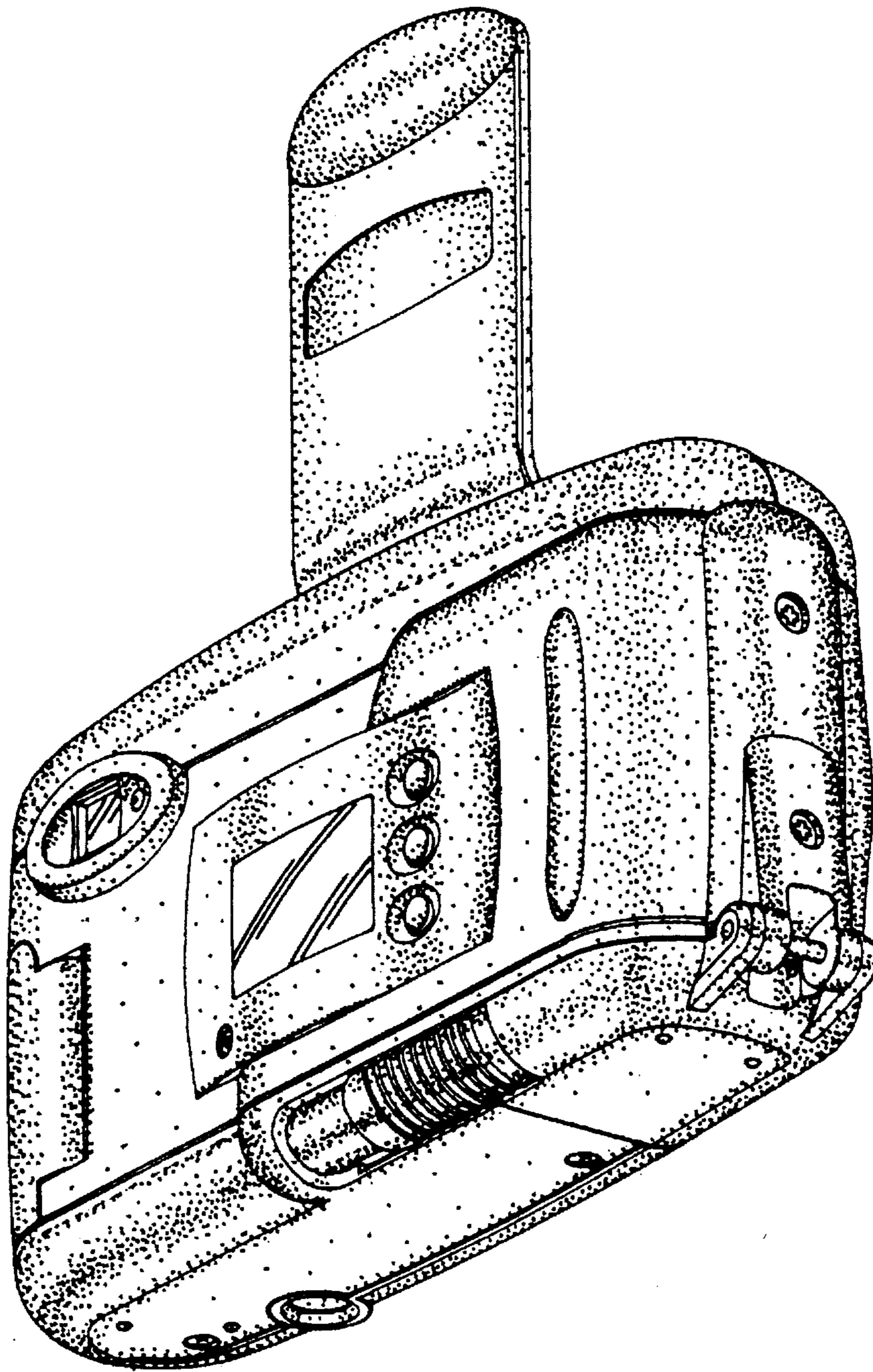


FIG. 10

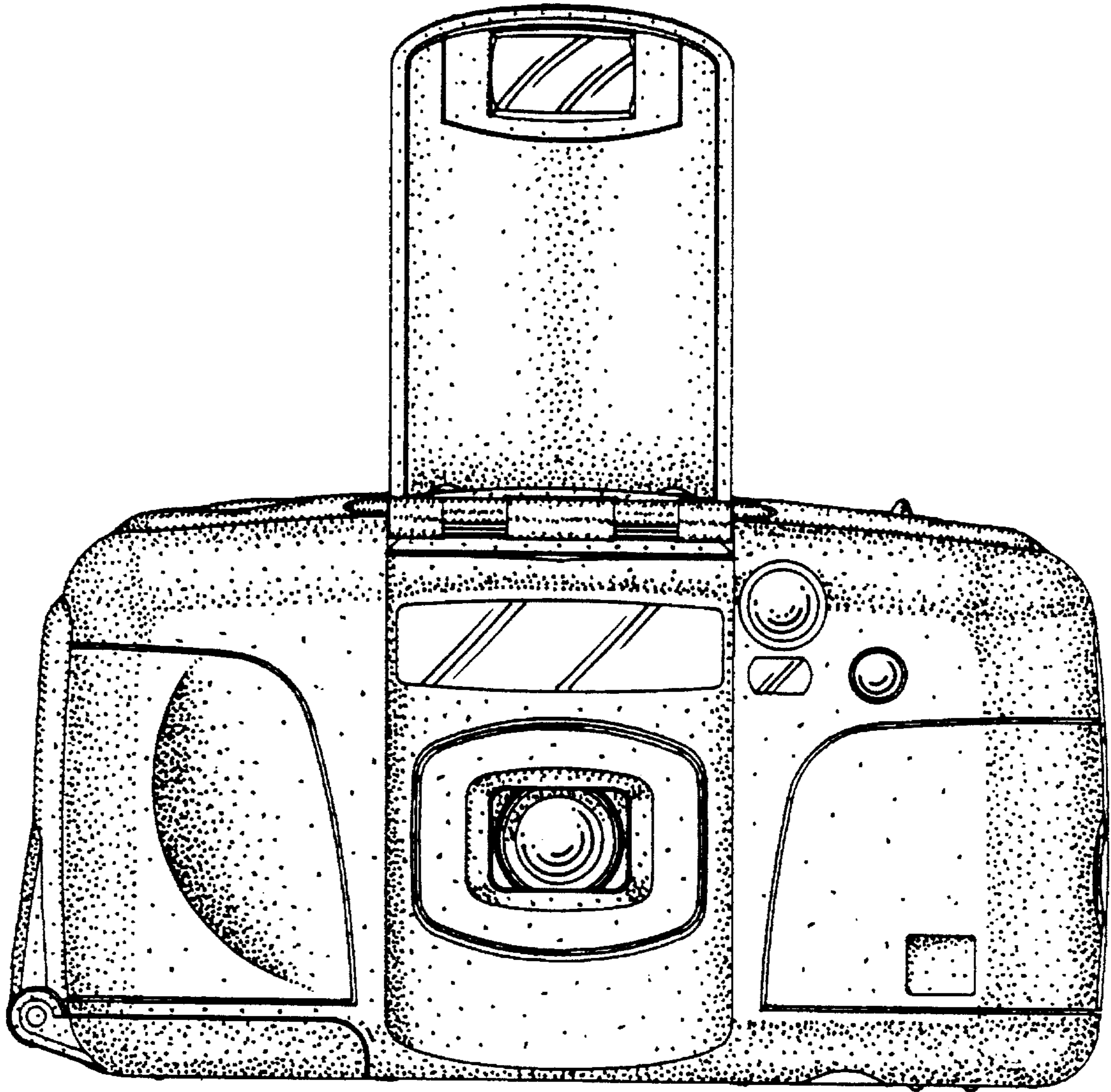


FIG. II

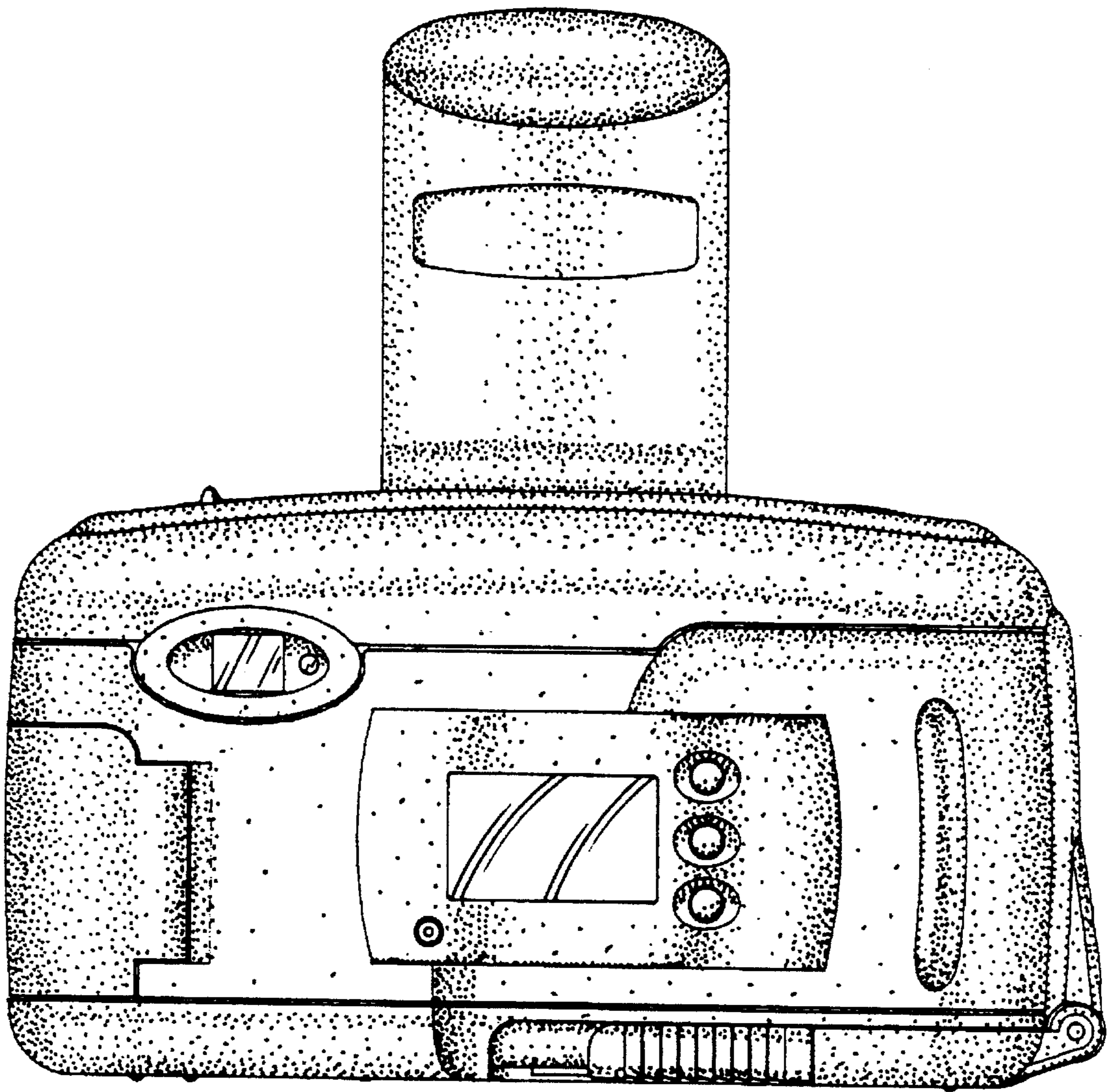


FIG. 12

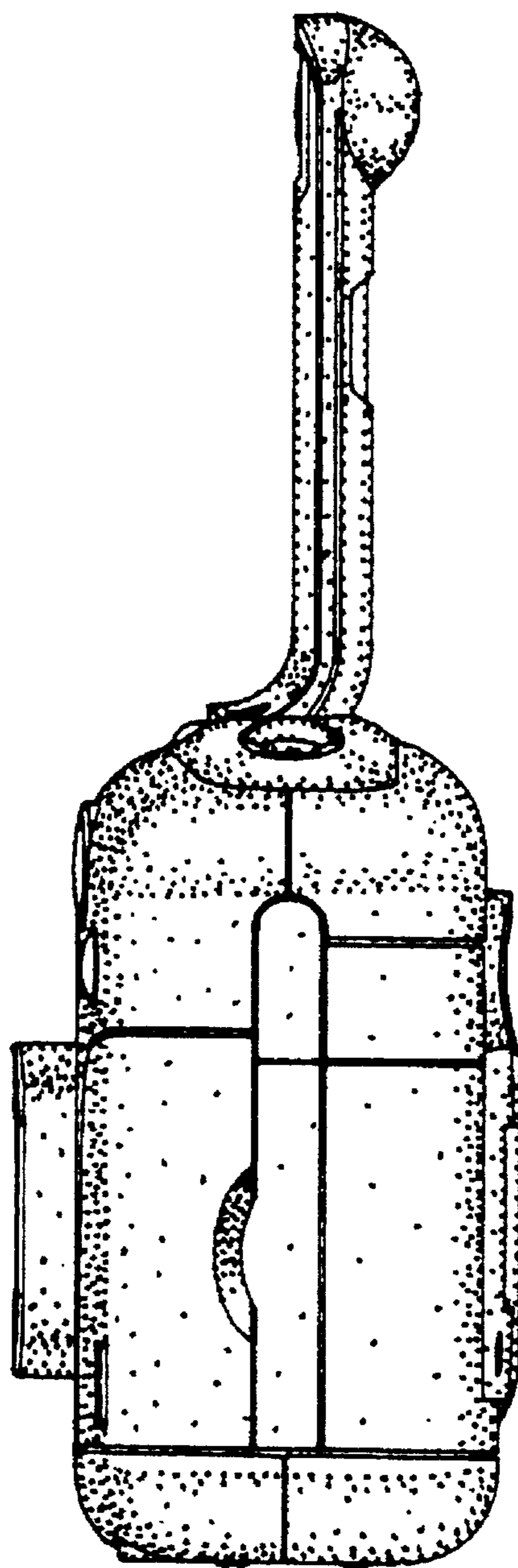


FIG. 13

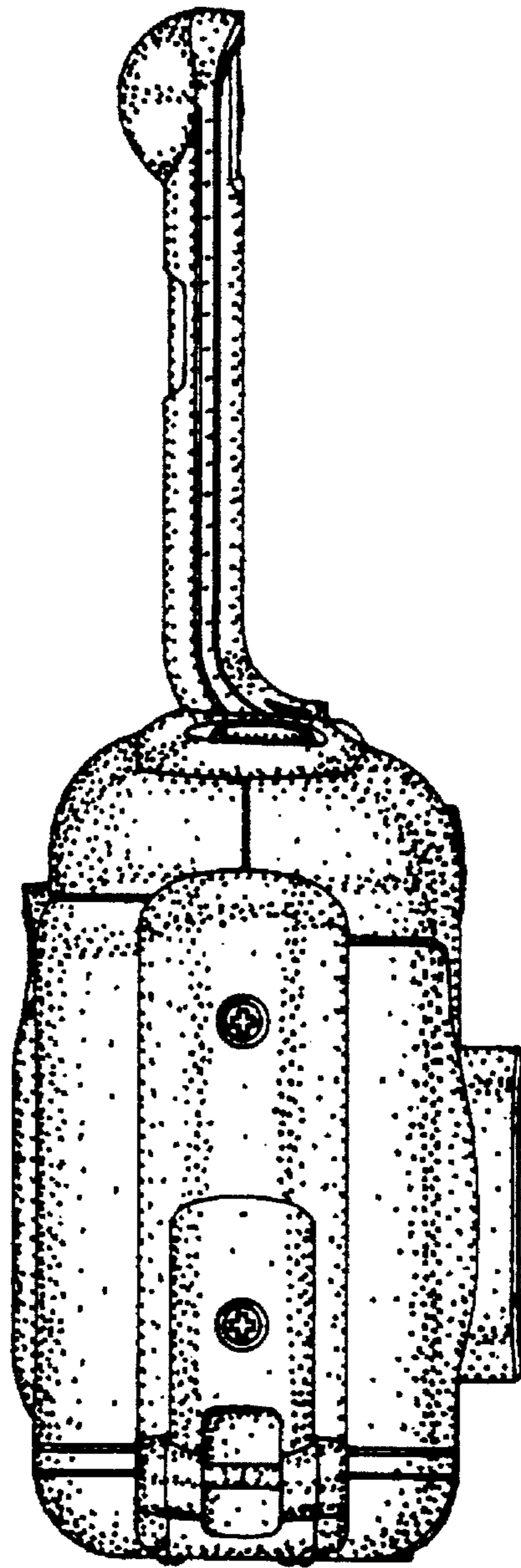


FIG. 14

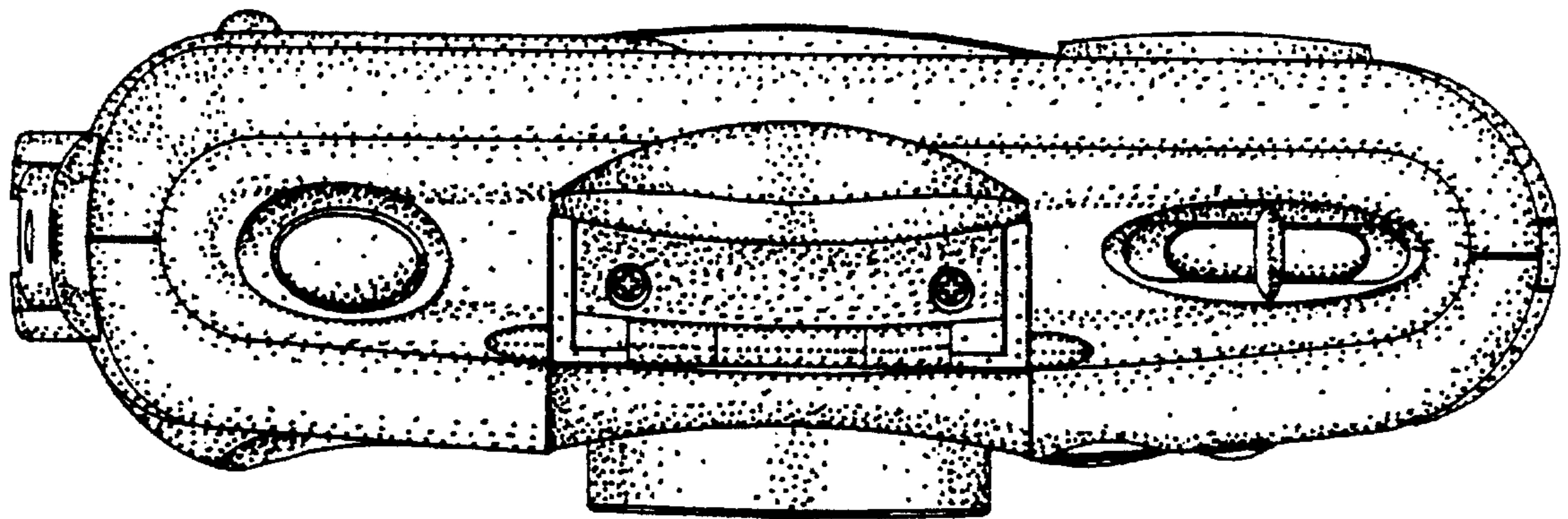


FIG. 15

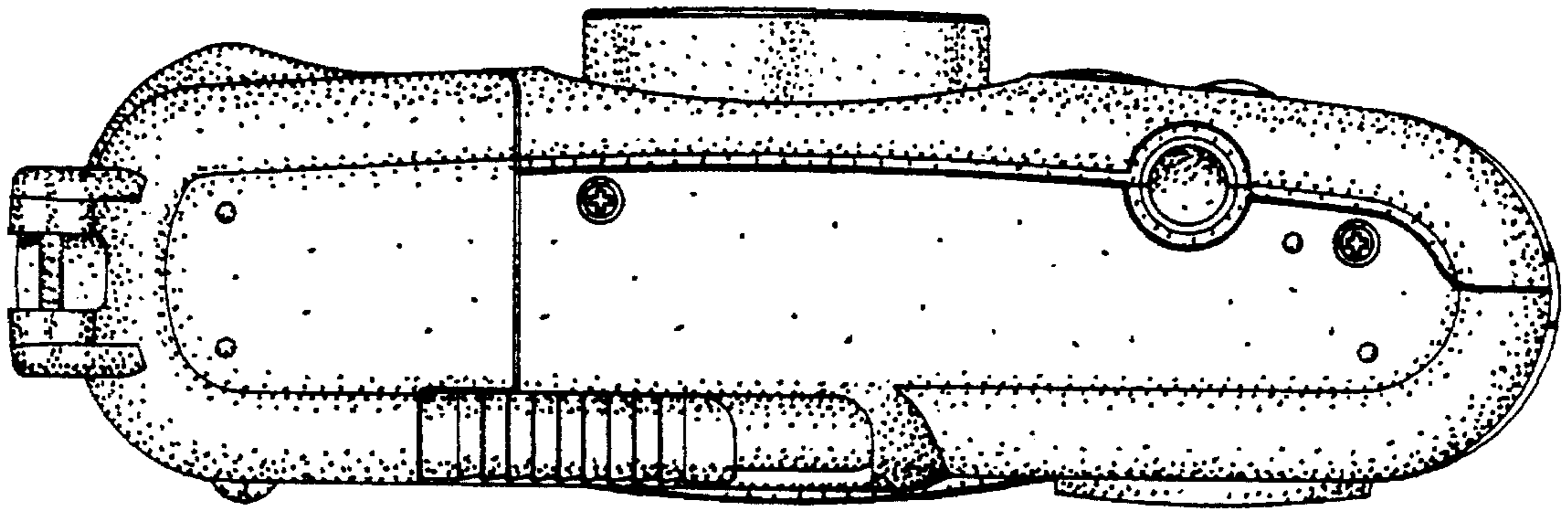


FIG. 16