



US00D370922S

United States Patent [19]

Onoda et al.

[11] Patent Number: Des. 370,922

[45] Date of Patent: **Jun. 18, 1996

[54] COMBINED LCD MONITOR SCREEN, INDUSTRIAL CAMERA, AND ODOR SENSOR FOR ANALYZING AND DISPLAYING HEAT AND ODOR READINGS FOR USE WITH A COMPUTER

5,068,721 11/1991 Dietrich 348/83
5,162,906 11/1992 Yorita et al. 348/83

Primary Examiner—M. H. Tung
Attorney, Agent, or Firm—Oblon, Spivak, McClelland, Maier & Neustadt

[75] Inventors: Hiroshi Onoda, Machida; Jun Matsumoto, Yokohama; Tomiaki Shirakawa, Takaidohigashi, all of Japan

[57] CLAIM

The ornamental design for combined LCD monitor screen, industrial camera, and odor sensor for analyzing and displaying heat and odor readings for use with a computer, as shown and described.

[73] Assignee: Kabushiki Kaisha Toshiba, Kawasaki, Japan

[**] Term: 14 Years

DESCRIPTION

[21] Appl. No.: 27,948

FIG. 1 is a front, top and right side perspective view of combined LCD monitor screen, industrial camera, and odor sensor for analyzing and displaying heat and odor readings for use with a computer, showing our new design; FIG. 2 is a rear, top and right side perspective view thereof; FIG. 3 is a front elevational view thereof; FIG. 4 is a right side elevational view thereof; FIG. 5 is a top plan view thereof; FIG. 6 is a bottom plan view thereof; FIG. 7 is a rear elevational view thereof; FIG. 8 is a left side elevational view thereof; FIG. 9 is a left side elevational view thereof with a handle in a storage position; FIG. 10 is a front elevational view thereof with a handle in a storage position; and, FIG. 11 is a bottom plan view thereof with a handle in a storage position.

[22] Filed: Sep. 2, 1994

[30] Foreign Application Priority Data

Mar. 22, 1994 [JP] Japan 6-7455

[52] U.S. Cl. D16/208; D14/113; D14/114

[58] Field of Search D14/114, 100, D14/113, 200, 206, 208, 107; 348/82-95, 373, 376; 345/156, 169, 173, 104; 178/18-19

[56] References Cited

U.S. PATENT DOCUMENTS

- D. 246,786 12/1977 Bode et al. D16/206
- D. 256,469 8/1980 Stemme et al. D16/206
- D. 349,489 8/1994 Wang D14/113
- D. 358,377 5/1995 Hasegawa D16/208 X
- D. 359,035 6/1995 Shinano D14/113

1 Claim, 3 Drawing Sheets

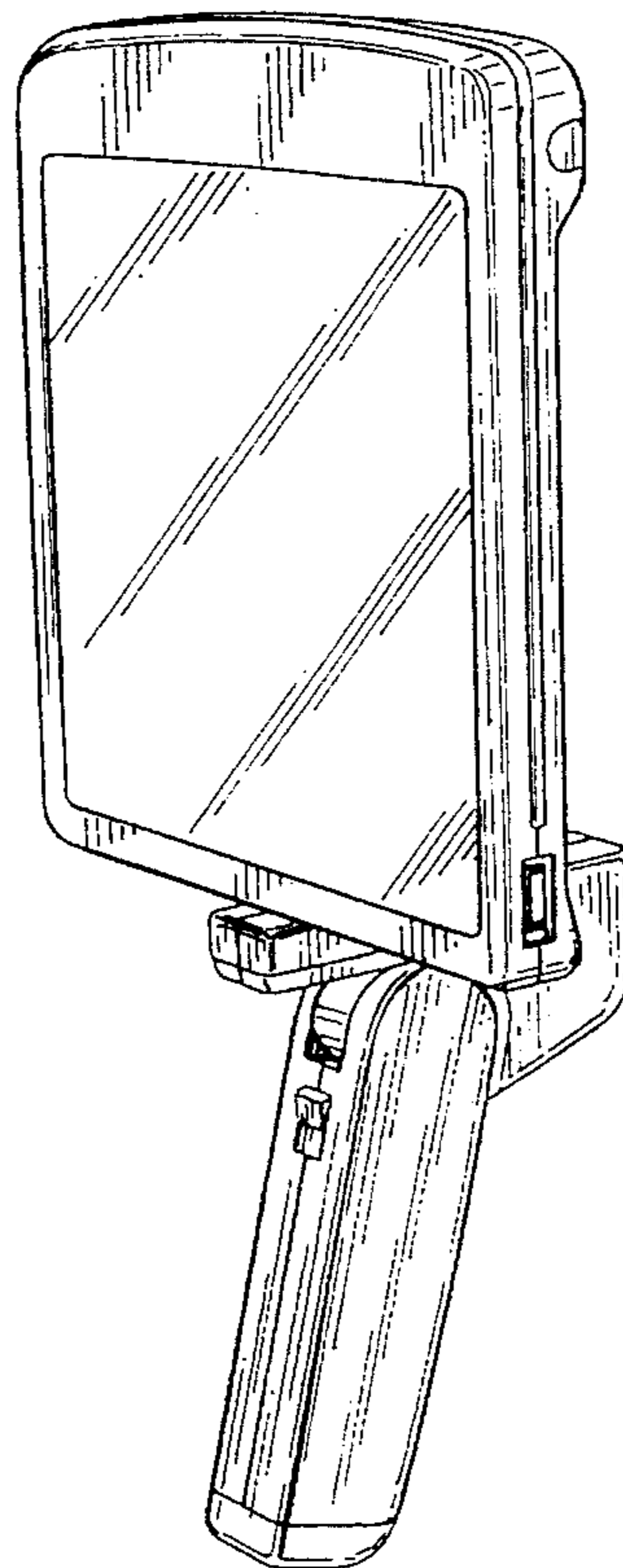
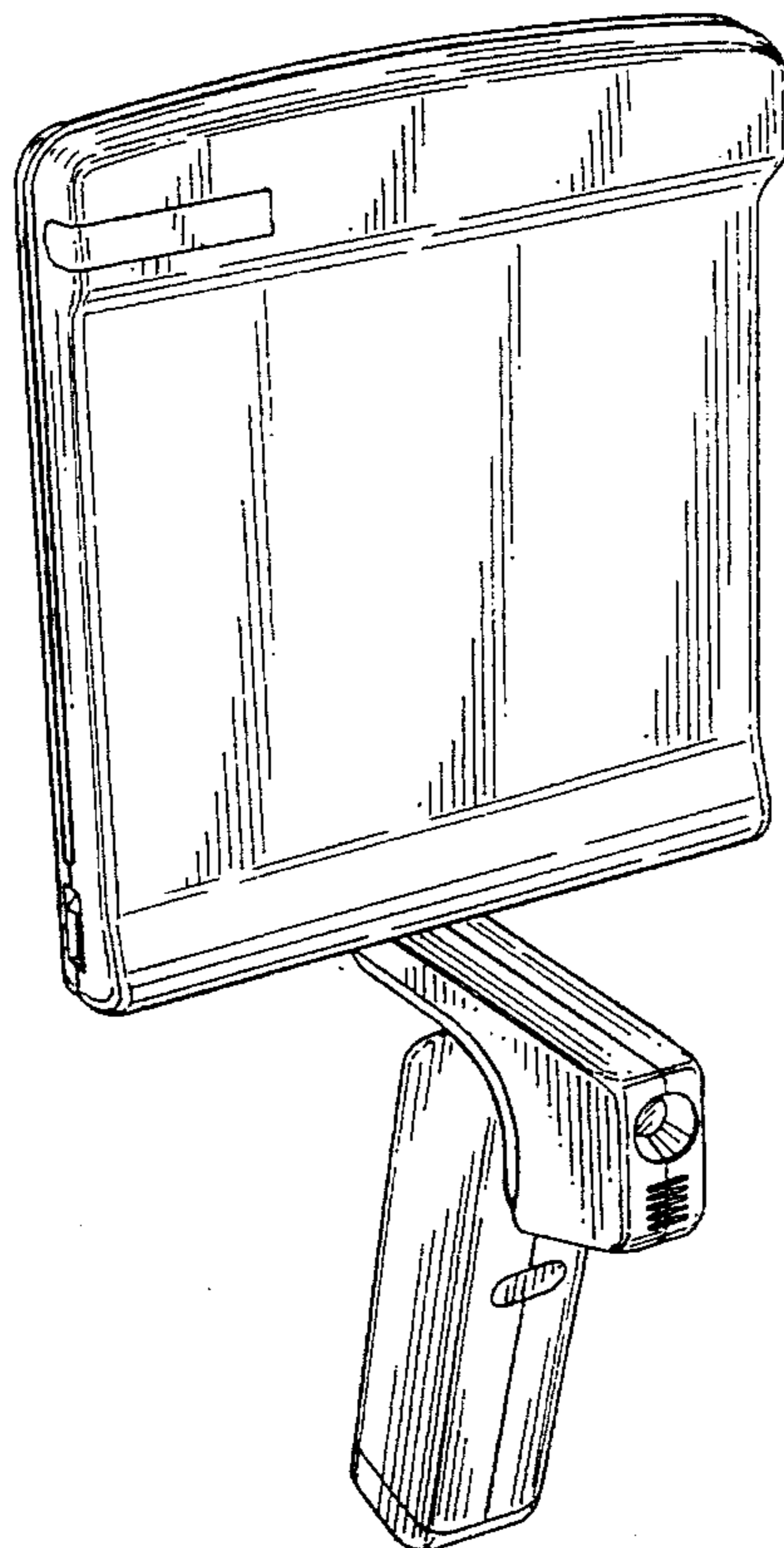


FIG. 1

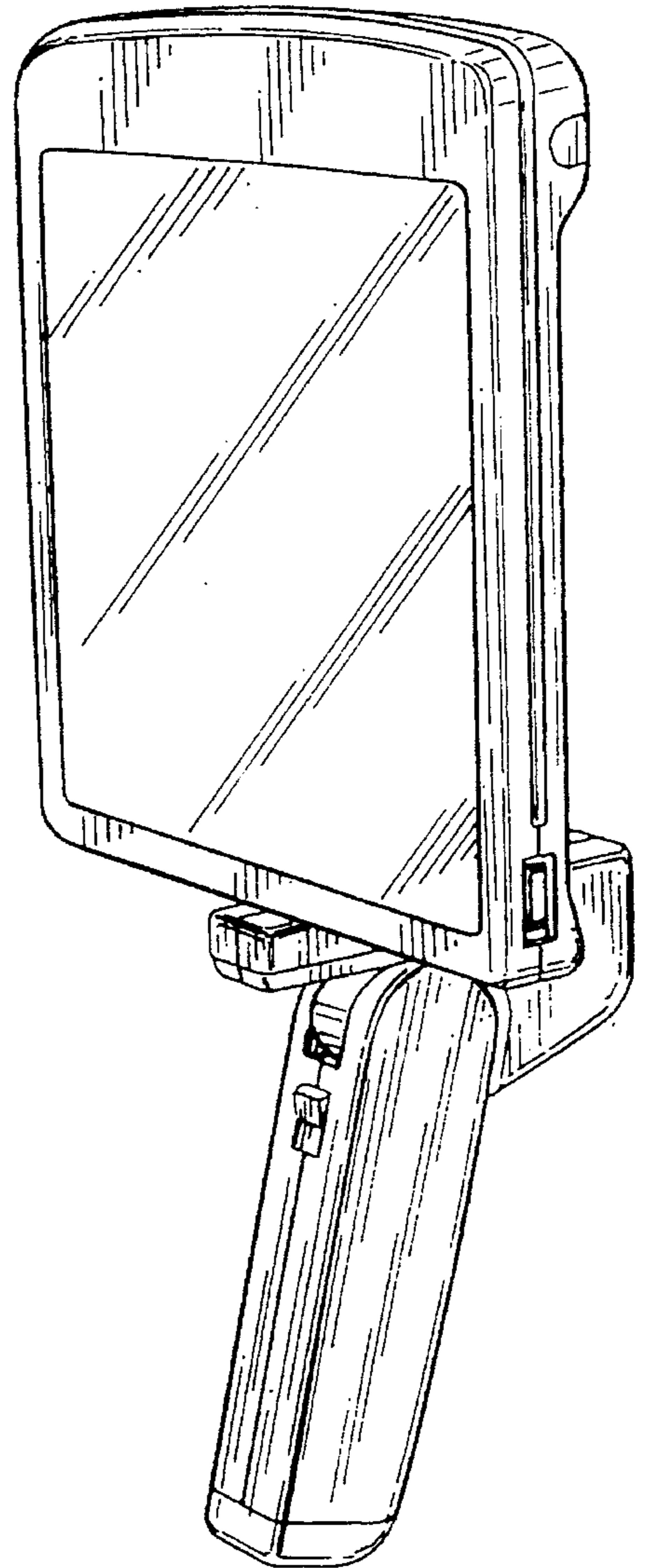


FIG. 2

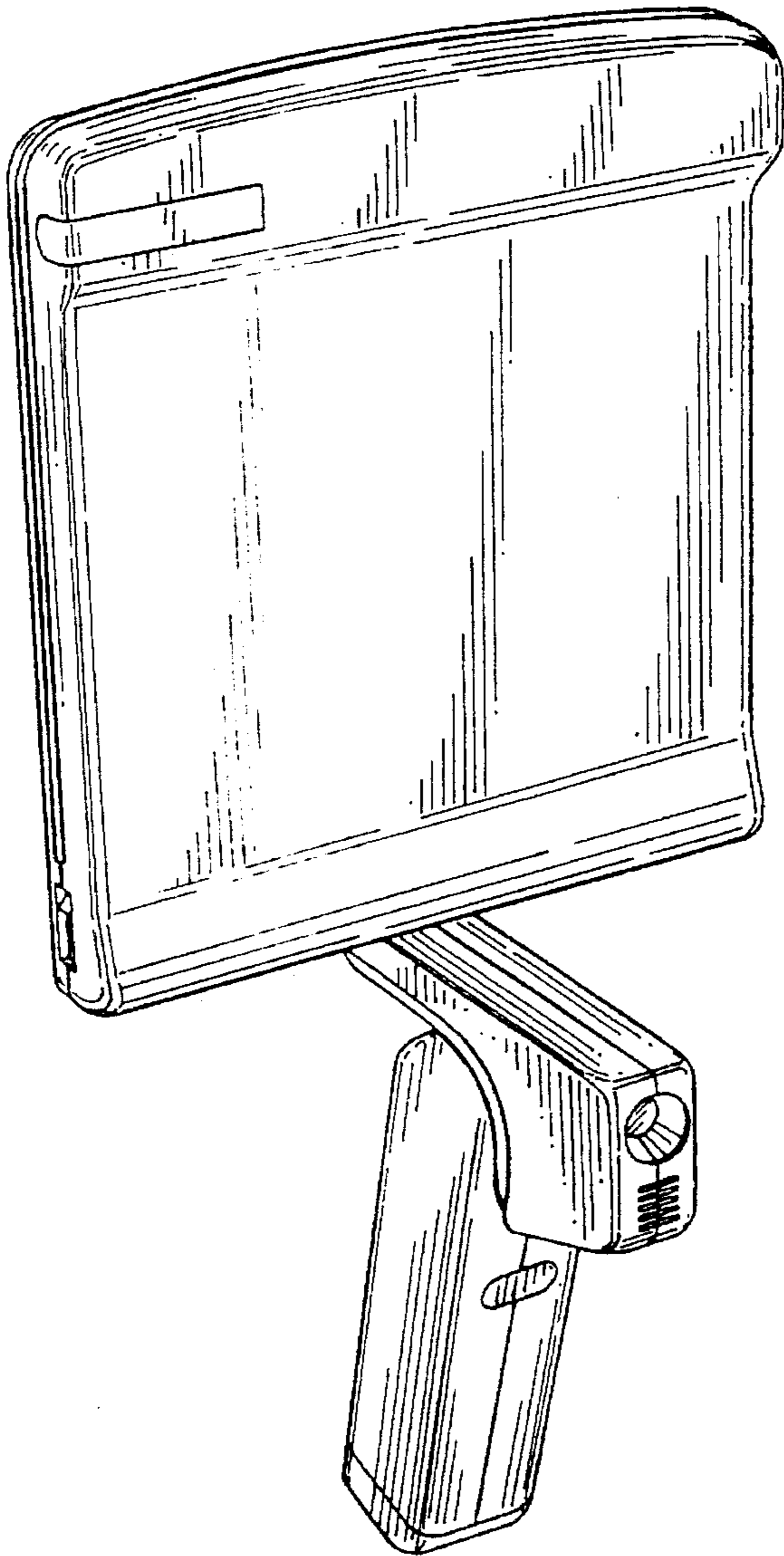


FIG. 3

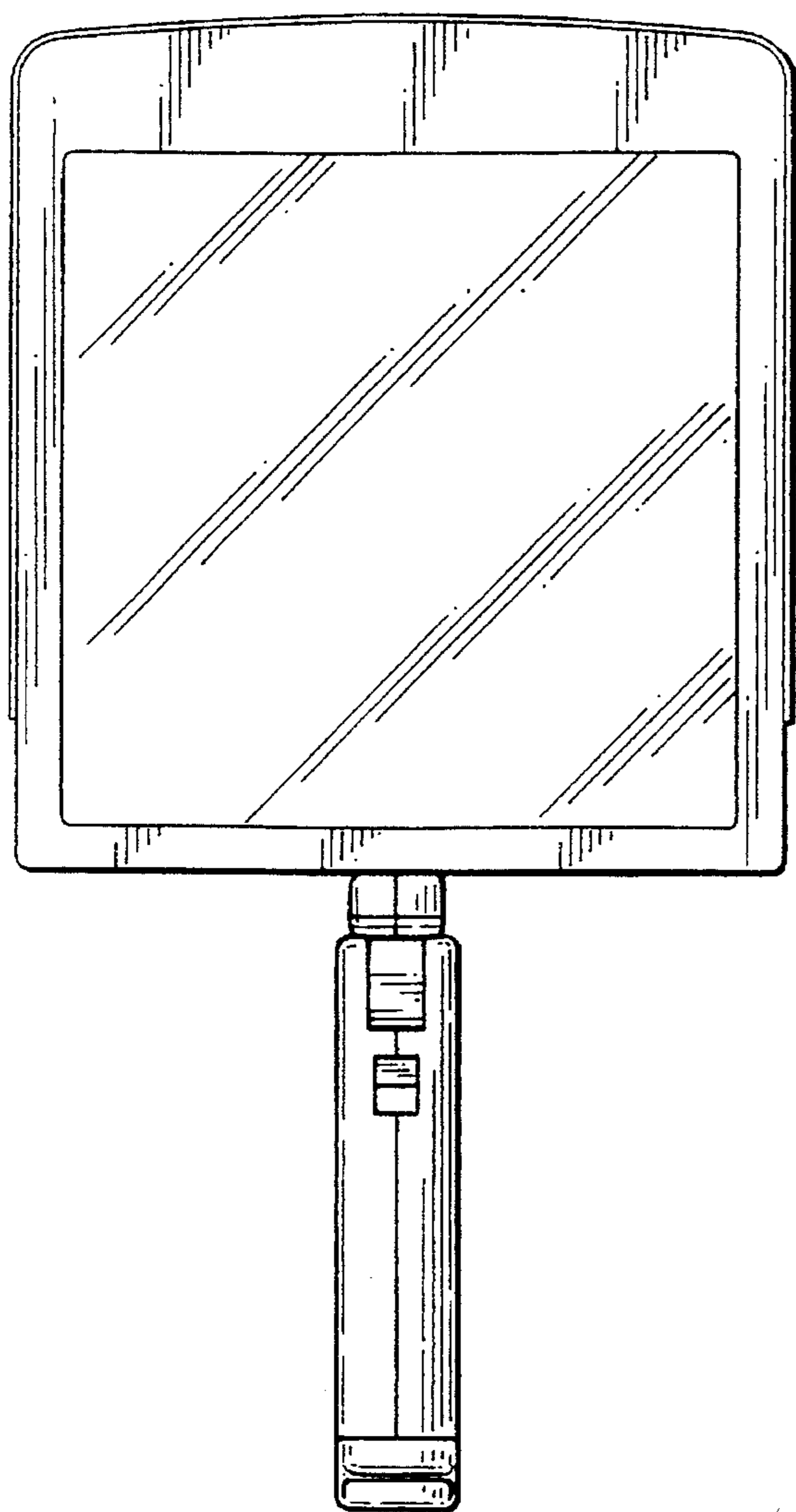


FIG. 4

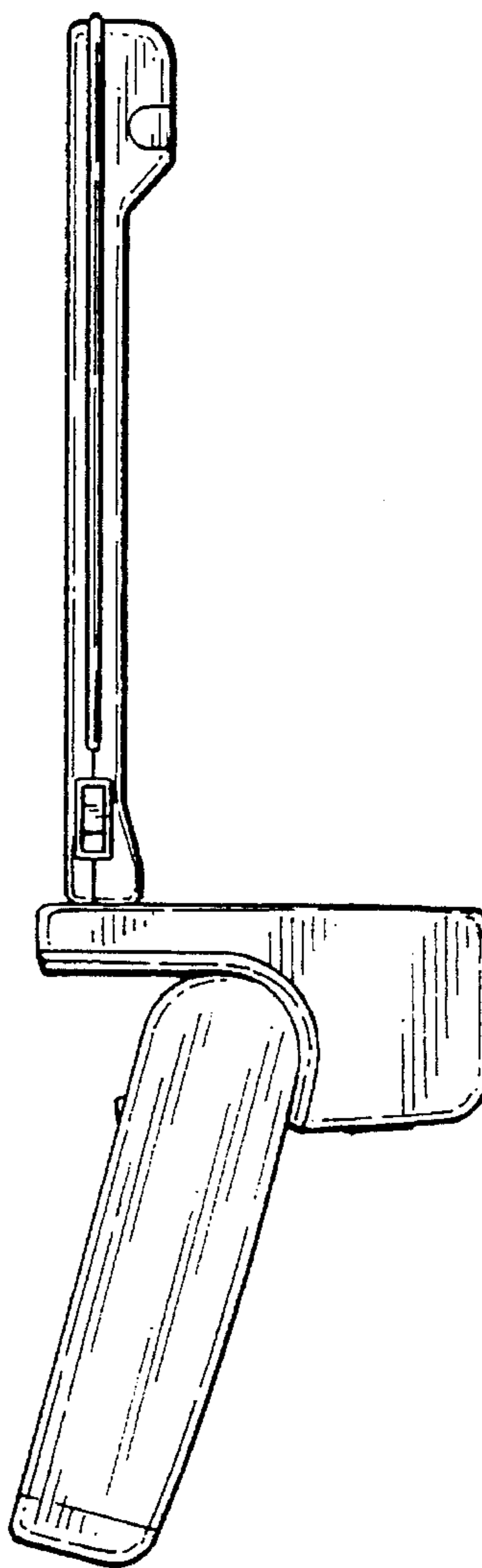


FIG. 5

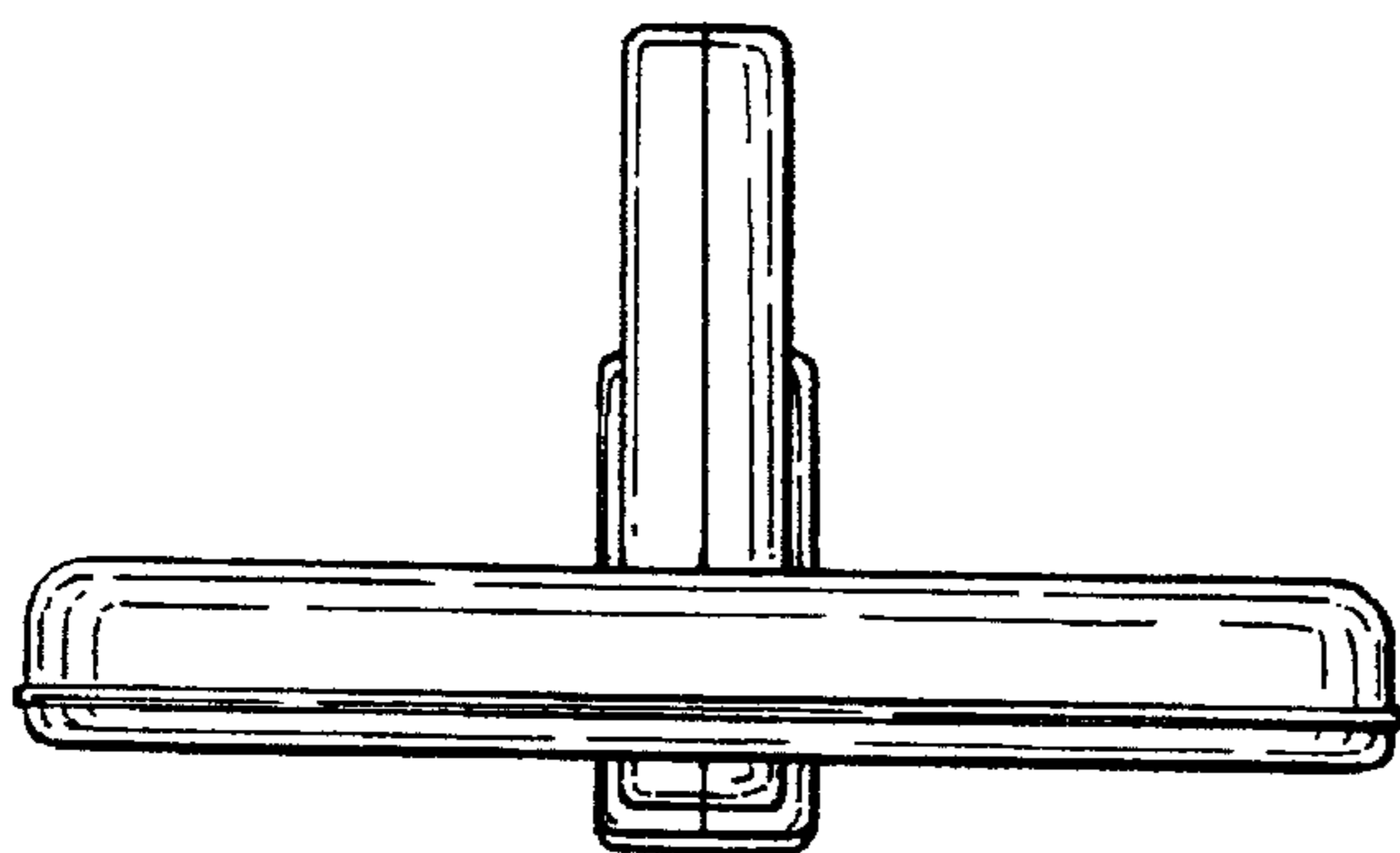


FIG. 6

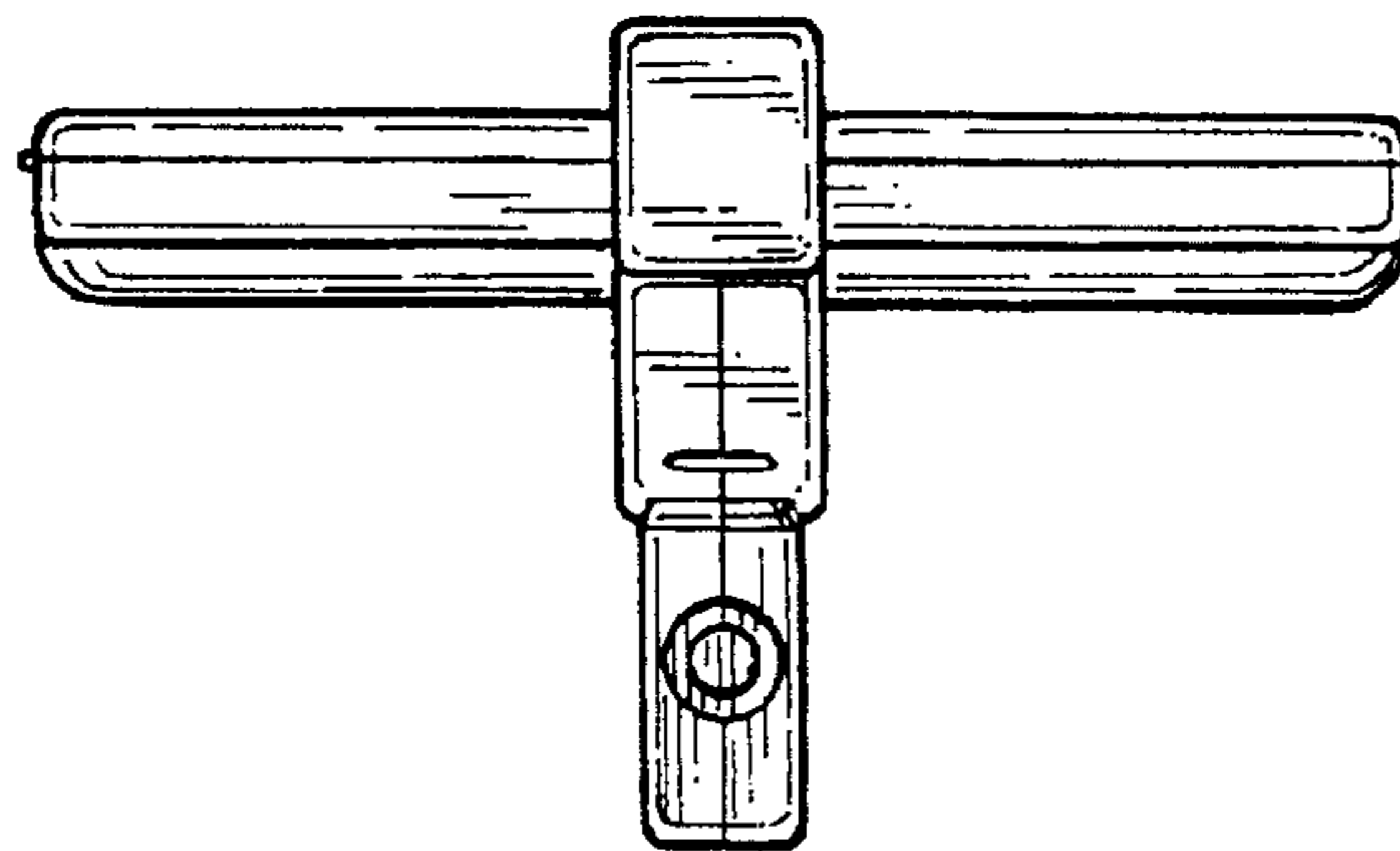


FIG.10

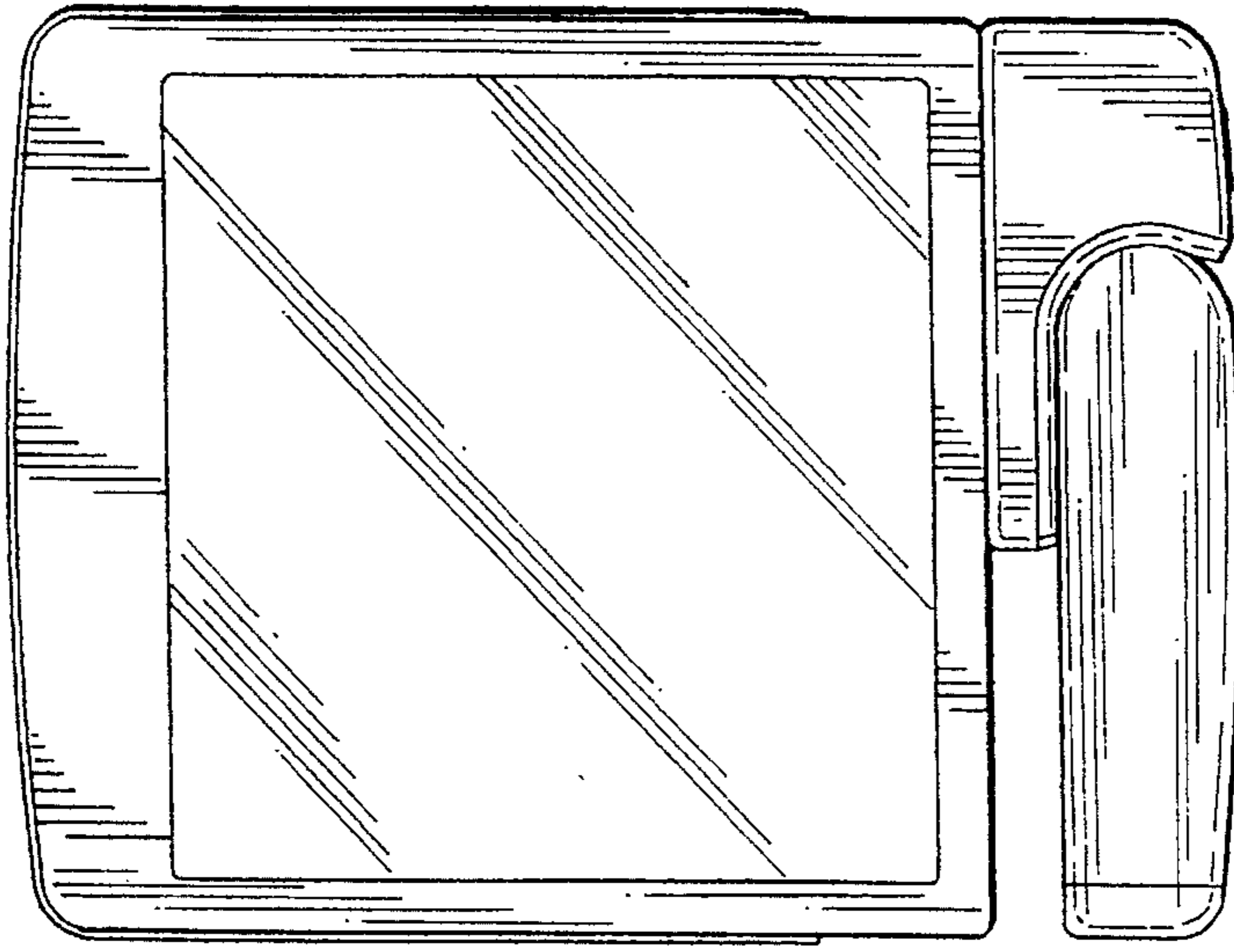


FIG.11

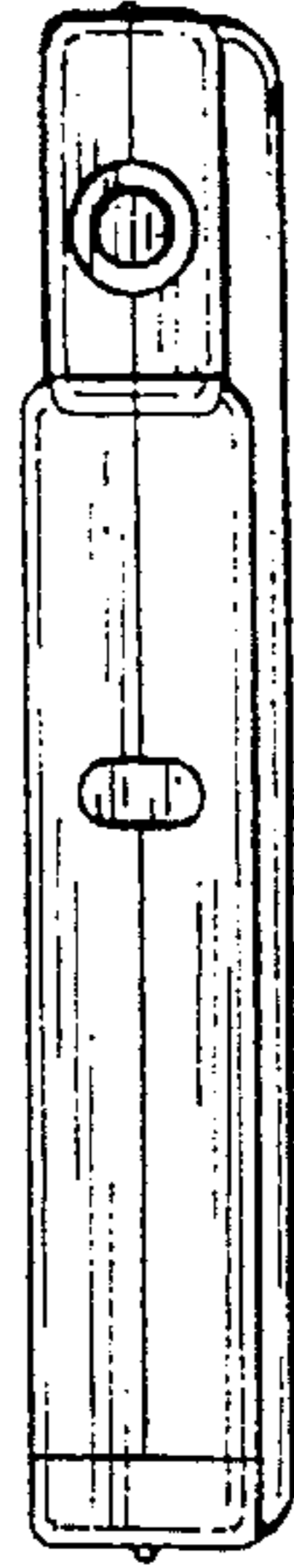


FIG.9

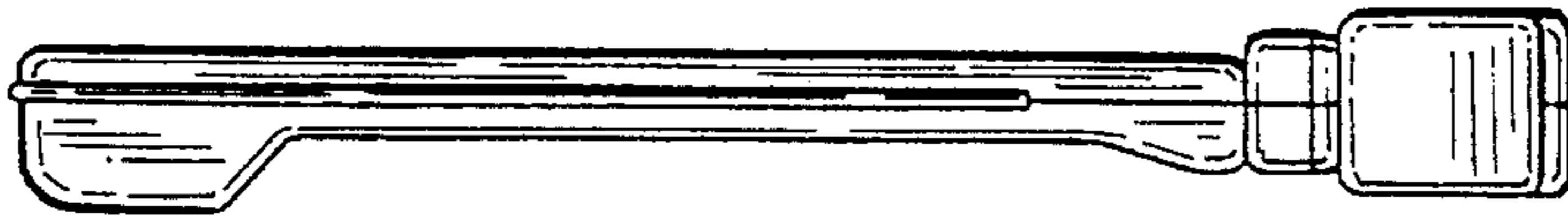


FIG.8

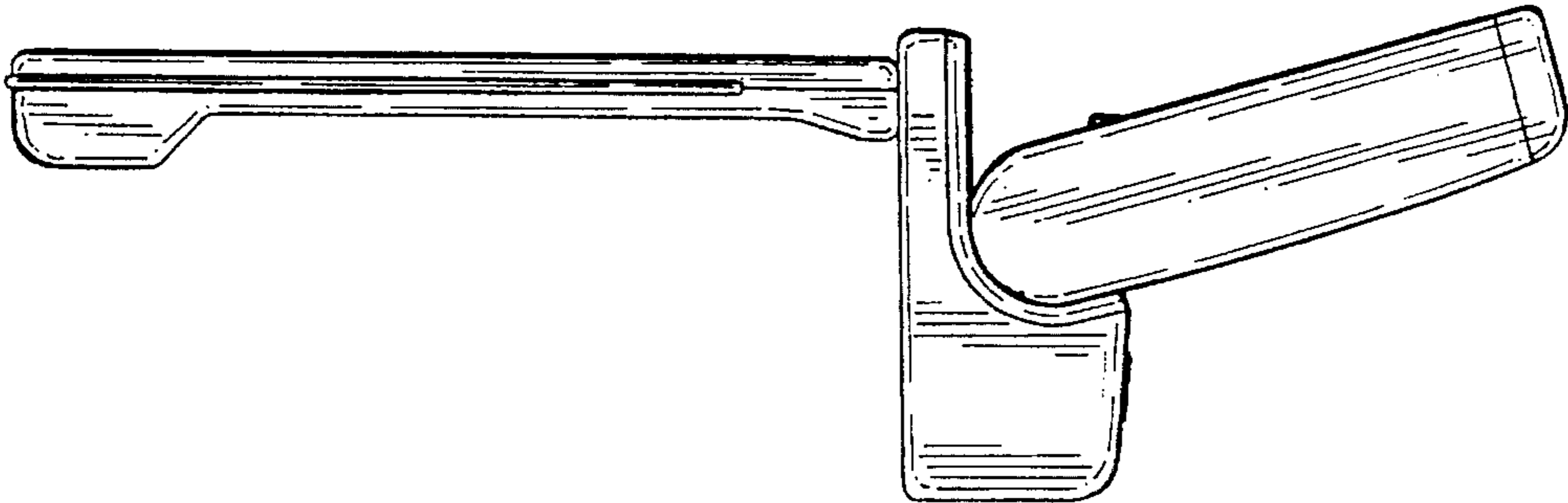


FIG.7

