



US00D370920S

United States Patent [19]

Armington et al.

[11] Patent Number: **Des. 370,920**

[45] Date of Patent: ****Jun. 18, 1996**

[54] CUSHIONING CONVERSION MACHINE

5,322,477 6/1994 Armington et al. 493/352 X

[75] Inventors: **Steven E. Armington**, Gates Mills;
Richard O. Ratzel, Westlake; **Michael J. Lencoski**, Claridon Township, all of Ohio

Primary Examiner—Antoine Duval Davis
Attorney, Agent, or Firm—Renner, Otto, Boisselle & Sklar

[73] Assignee: **Ranpak Corp.**, Concord Township, Ohio

[57] CLAIM

The ornamental design for a cushioning conversion machine, as shown and described.

[**] Term: **14 Years**

DESCRIPTION

[21] Appl. No.: **37,384**

FIG. 1 is a perspective view of a cushioning conversion machine showing the front, top and right side of our new design;

[22] Filed: **Mar. 31, 1995**

[52] U.S. Cl. **D15/127**

FIG. 2 is a left side elevational view of the machine;

[58] Field of Search D15/127, 199;

FIG. 3 is a top plan view of the machine;

83/627; 493/252, 346, 349, 350, 407, 439, 464, 967

FIG. 4 is a right side elevational view of the machine;

FIG. 5 is a bottom view of the machine;

FIG. 6 is a front view of the machine; and,

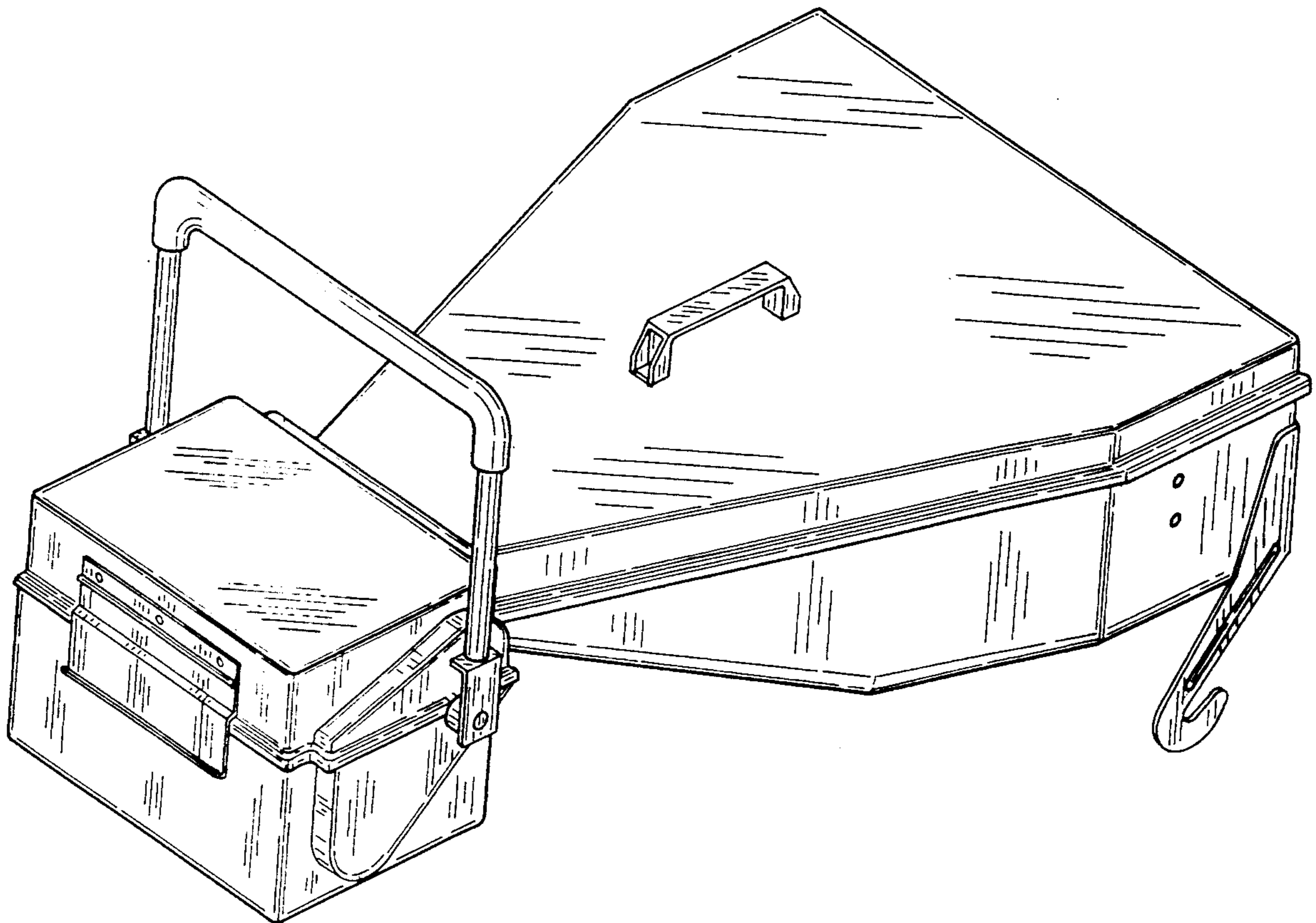
FIG. 7 is a rear view of the machine.

[56] References Cited

U.S. PATENT DOCUMENTS

5,211,620 5/1993 Ratzel et al. 493/464 X

1 Claim, 7 Drawing Sheets



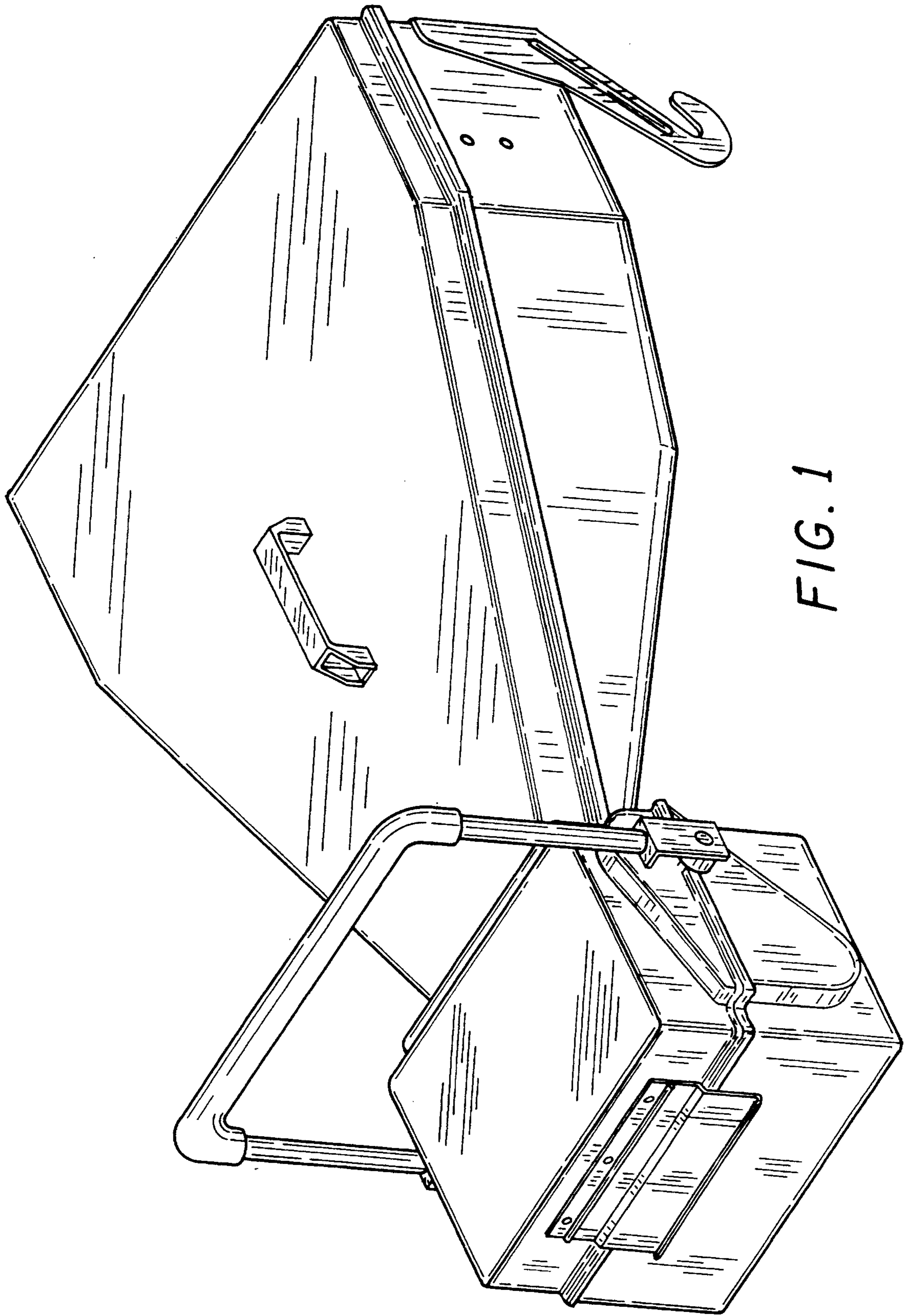


FIG. 1

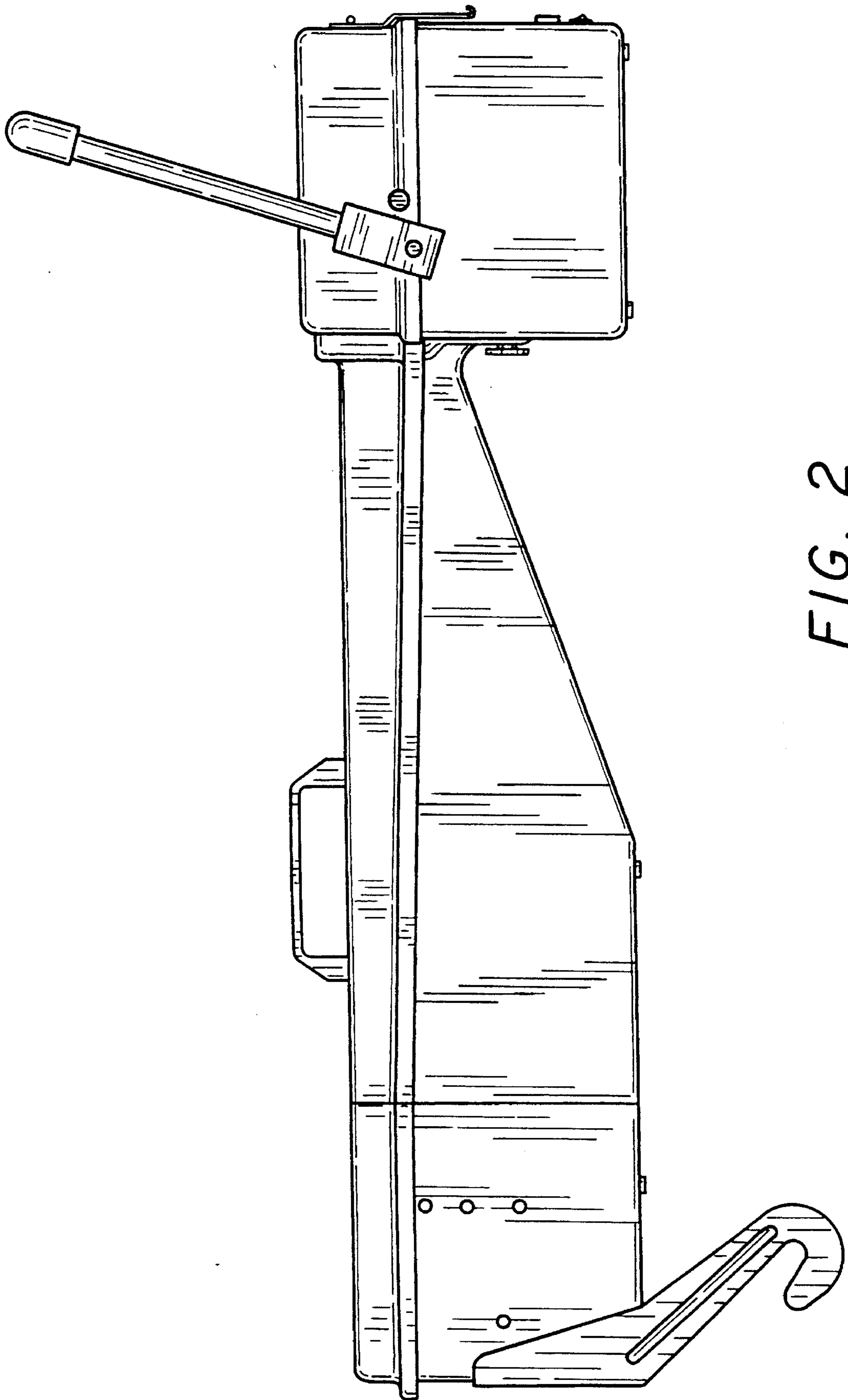


FIG. 2

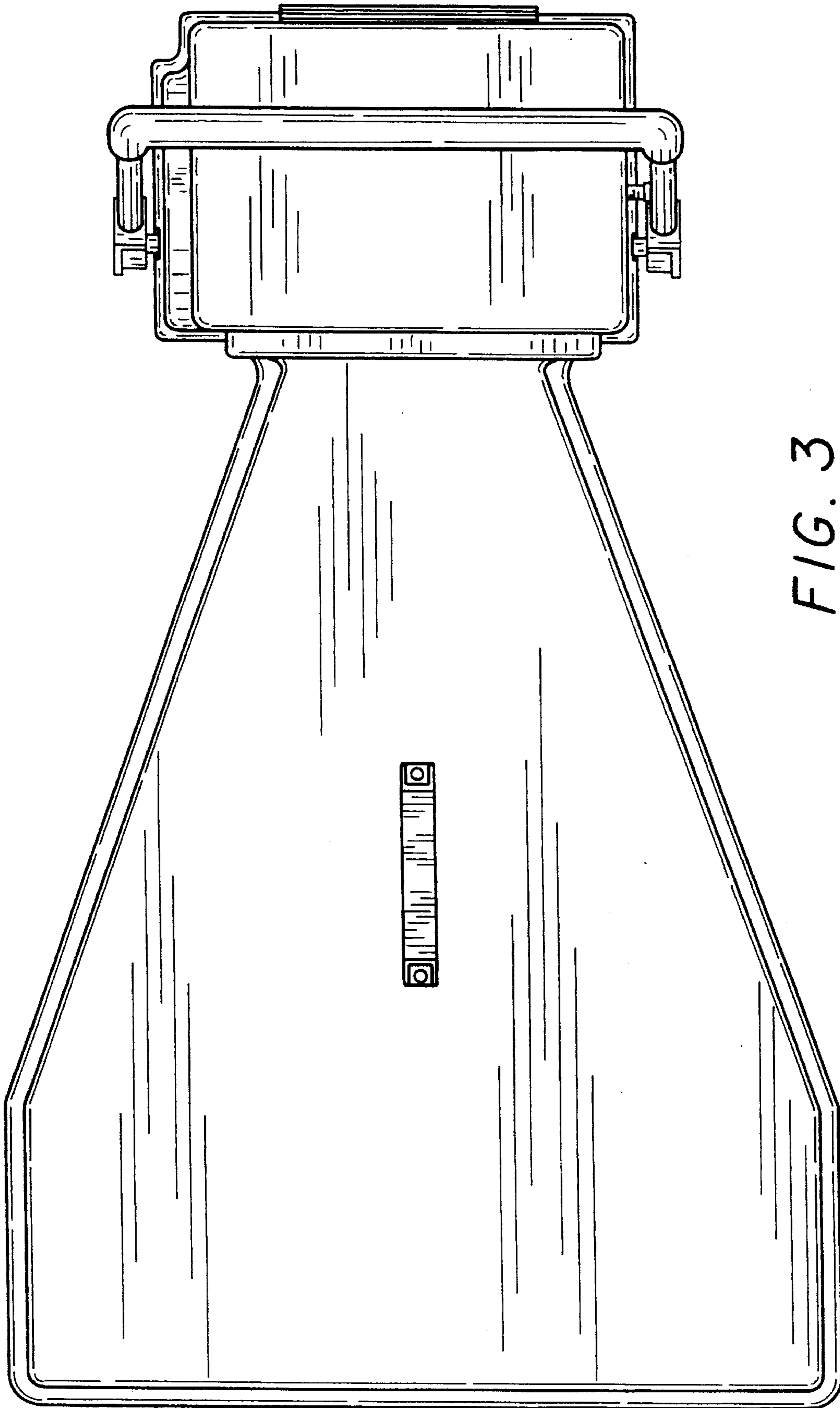


FIG. 3

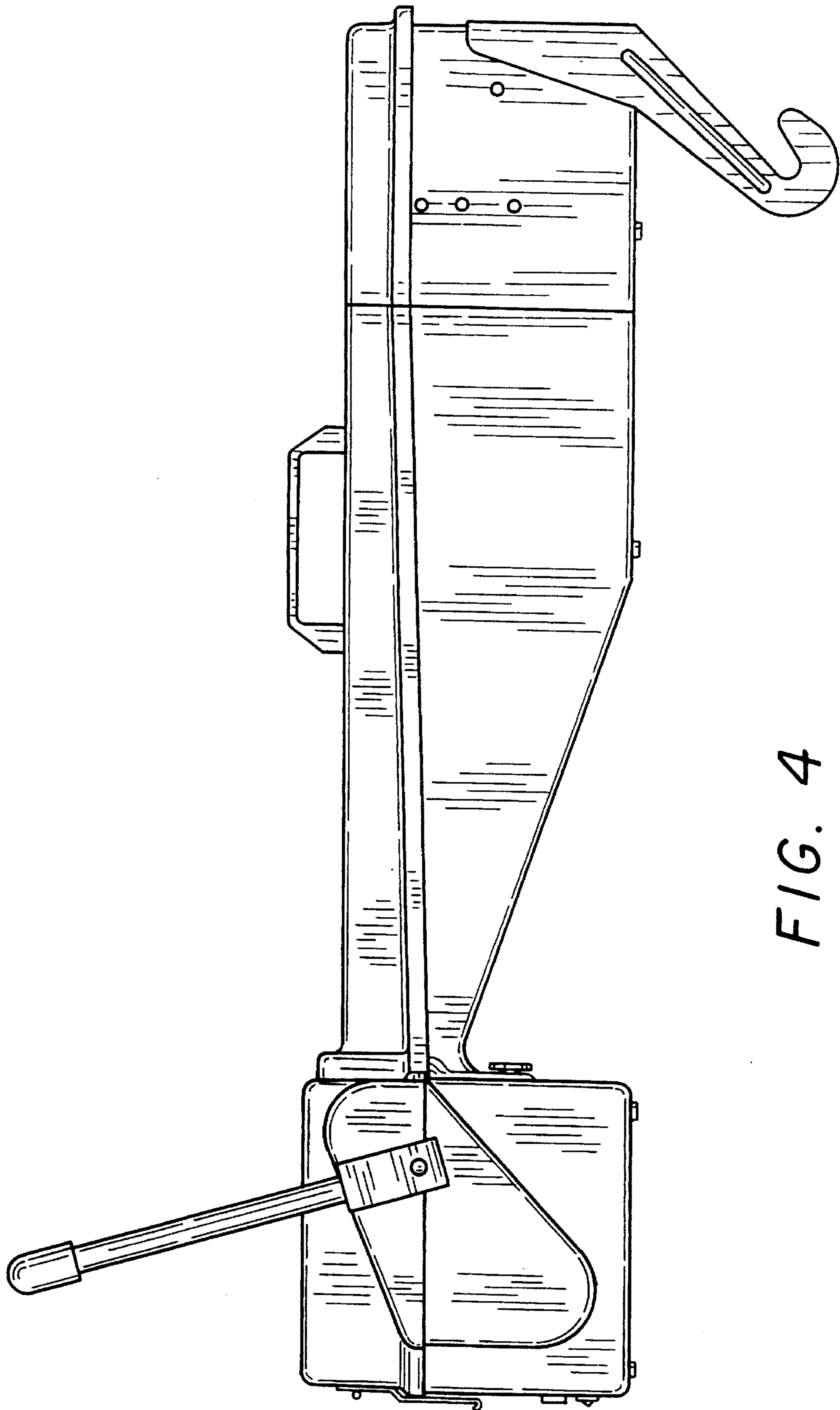


FIG. 4

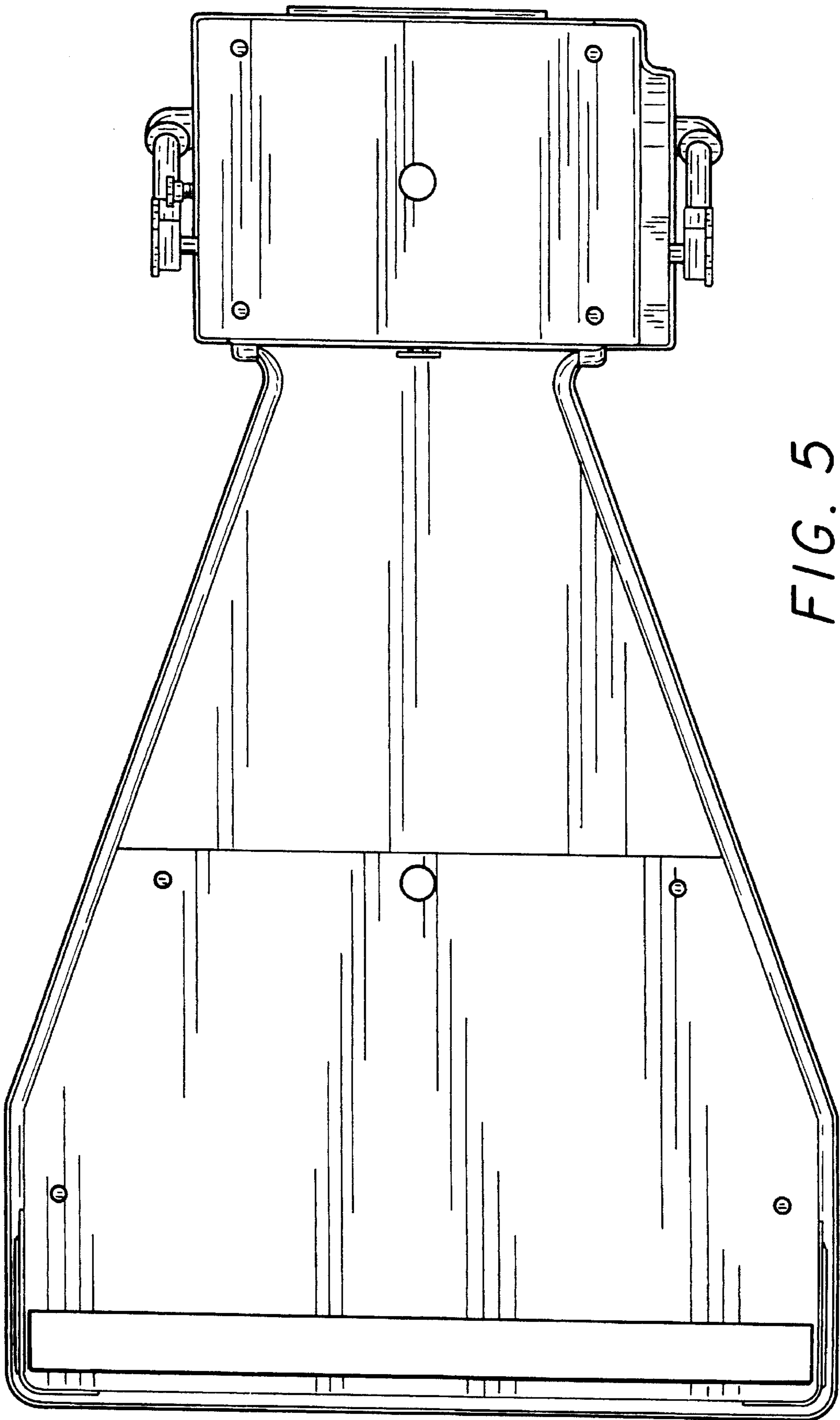


FIG. 5

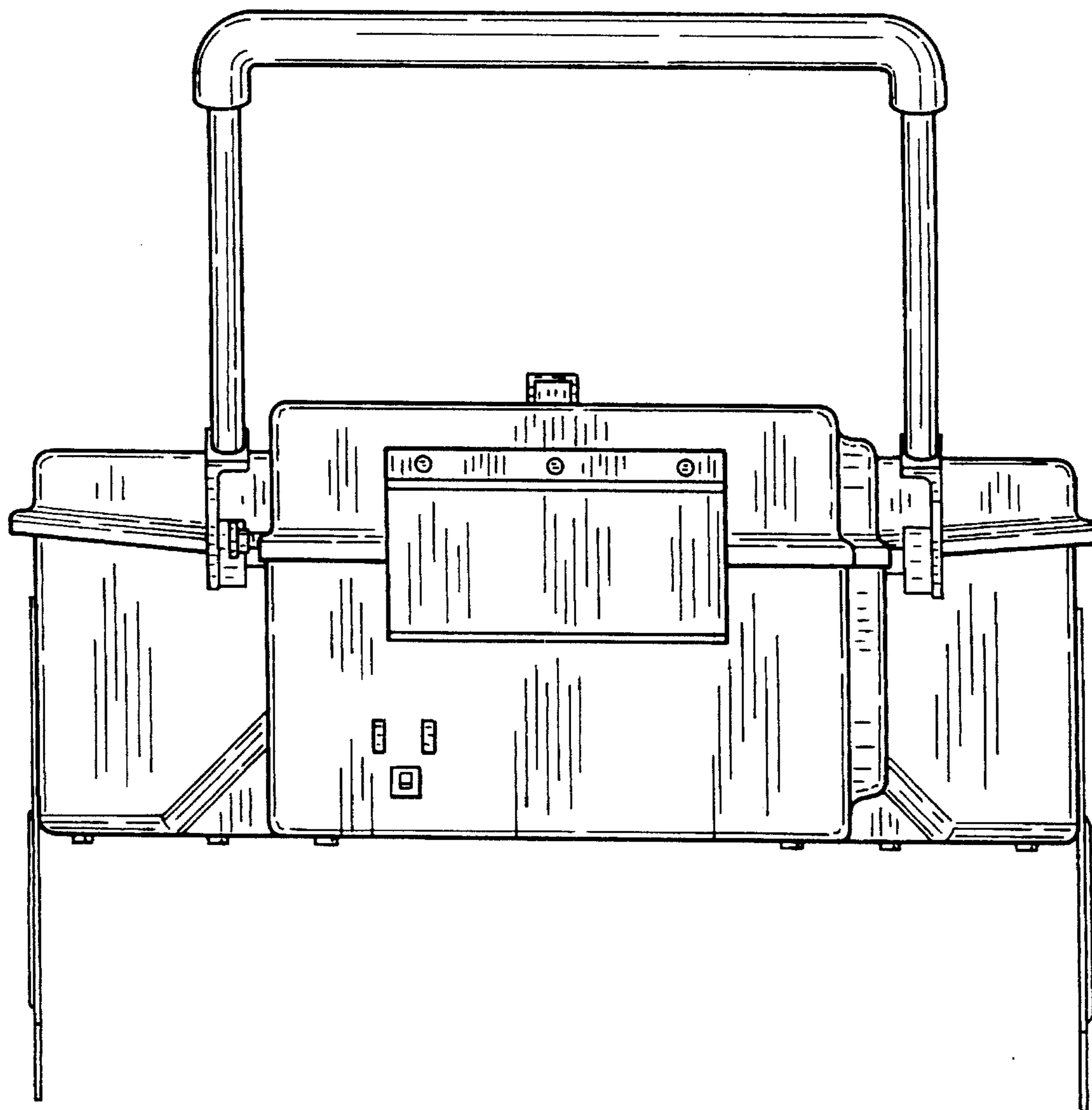


FIG. 6

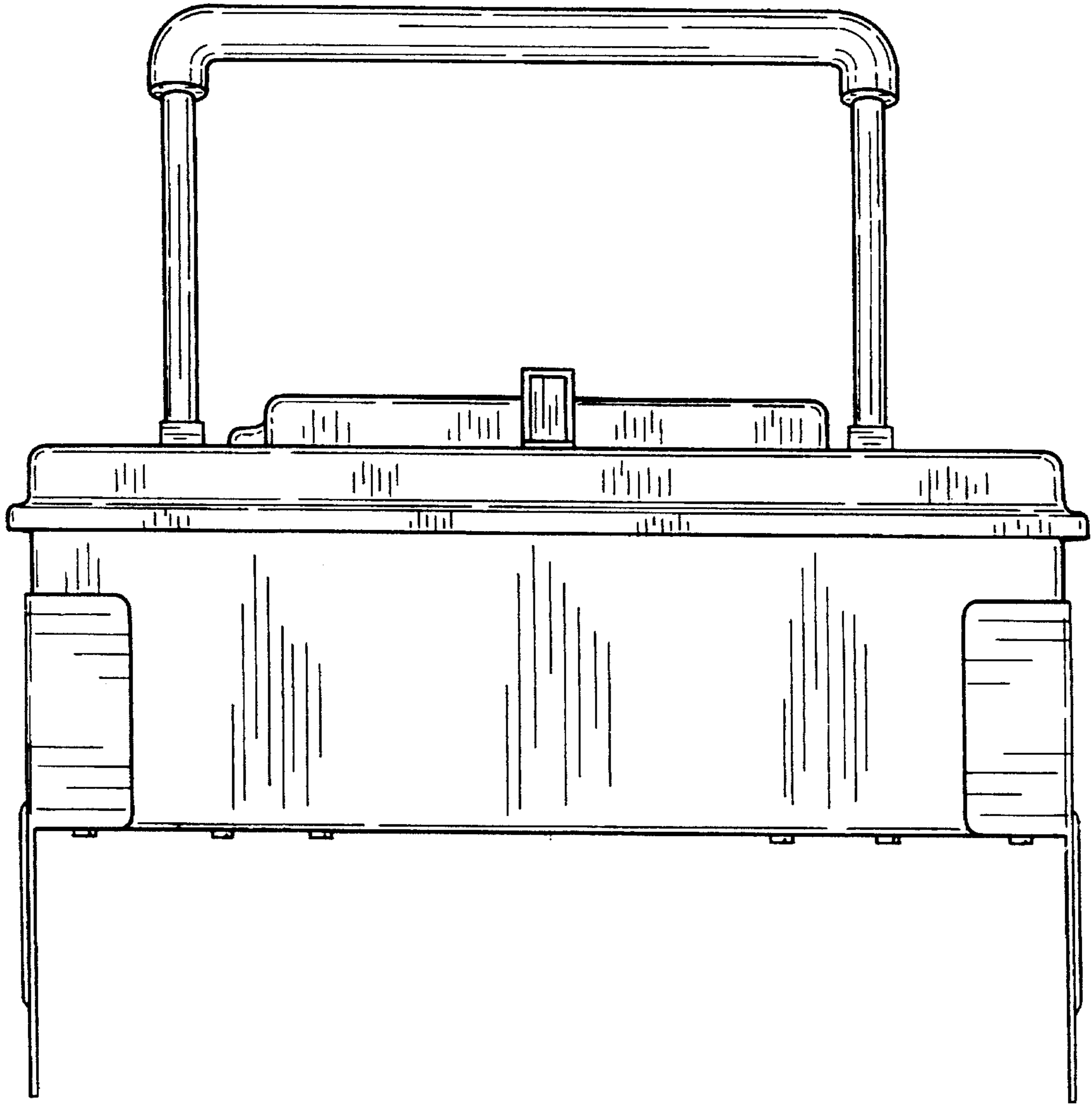


FIG. 7