



US00D370916S

**United States Patent** [19]

[11] **Patent Number: Des. 370,916**

**Rozek et al.**

[45] **Date of Patent: \*\*Jun. 18, 1996**

[54] **HEAD FOR COMPRESSOR**

*Primary Examiner*—Ralf Seifert  
*Attorney, Agent, or Firm*—Quarles & Brady

[75] Inventors: **Roy J. Rozek**, Plymouth; **Ross Christiansen**, Kiel, both of Wis.

[57] **CLAIM**

[73] Assignee: **Thomas Industries Inc.**, Sheboygan, Wis.

The ornamental design for a head for compressor, as shown and described.

[\*\*] Term: **14 Years**

**DESCRIPTION**

[21] Appl. No.: **32,607**

[22] Filed: **Dec. 21, 1994**

[52] U.S. Cl. .... **D15/9**

[58] **Field of Search** ..... D15/7-9.2; 417/355, 417/415, 419, 424; 60/39.34; D13/1; 74/50

FIG. 1 is a perspective view taken from the top, front and right side of a head for compressor embodying our new design;

FIG. 2 is a right side elevational view thereof;

FIG. 3 is a front elevational view thereof;

FIG. 4 is a left side elevational view thereof;

FIG. 5 is a rear elevational view thereof;

FIG. 6 is a top plan view thereof;

FIG. 7 is a perspective view taken from the top, front and right side of a second embodiment which is the same as the embodiment of FIG. 1 except for the omission of the vertical struts on the front and back and the circular bosses on the top fins;

FIG. 8 is a perspective view taken from the top, front and right side of a third embodiment, which is the same as the embodiment of FIG. 1 except for the omission of the arched side structures and the reversal of the filter cover; and,

FIG. 9 is a perspective view taken from the top, front and left side of the embodiment of FIG. 8.

The broken line representations of bolt heads, bolt mounting holes and side port holes in FIGS. 8 and 9 are for the purpose of illustration only and form no part of the claimed design.

[56] **References Cited**

**U.S. PATENT DOCUMENTS**

D. 271,203	11/1983	Schütt et al. ....	D15/9
D. 273,958	5/1984	Mariol .....	D15/9
D. 293,682	1/1988	Liou .....	D15/9
D. 352,041	11/1994	Hansen .....	D15/9
2,668,004	2/1954	Browne .....	74/50

**OTHER PUBLICATIONS**

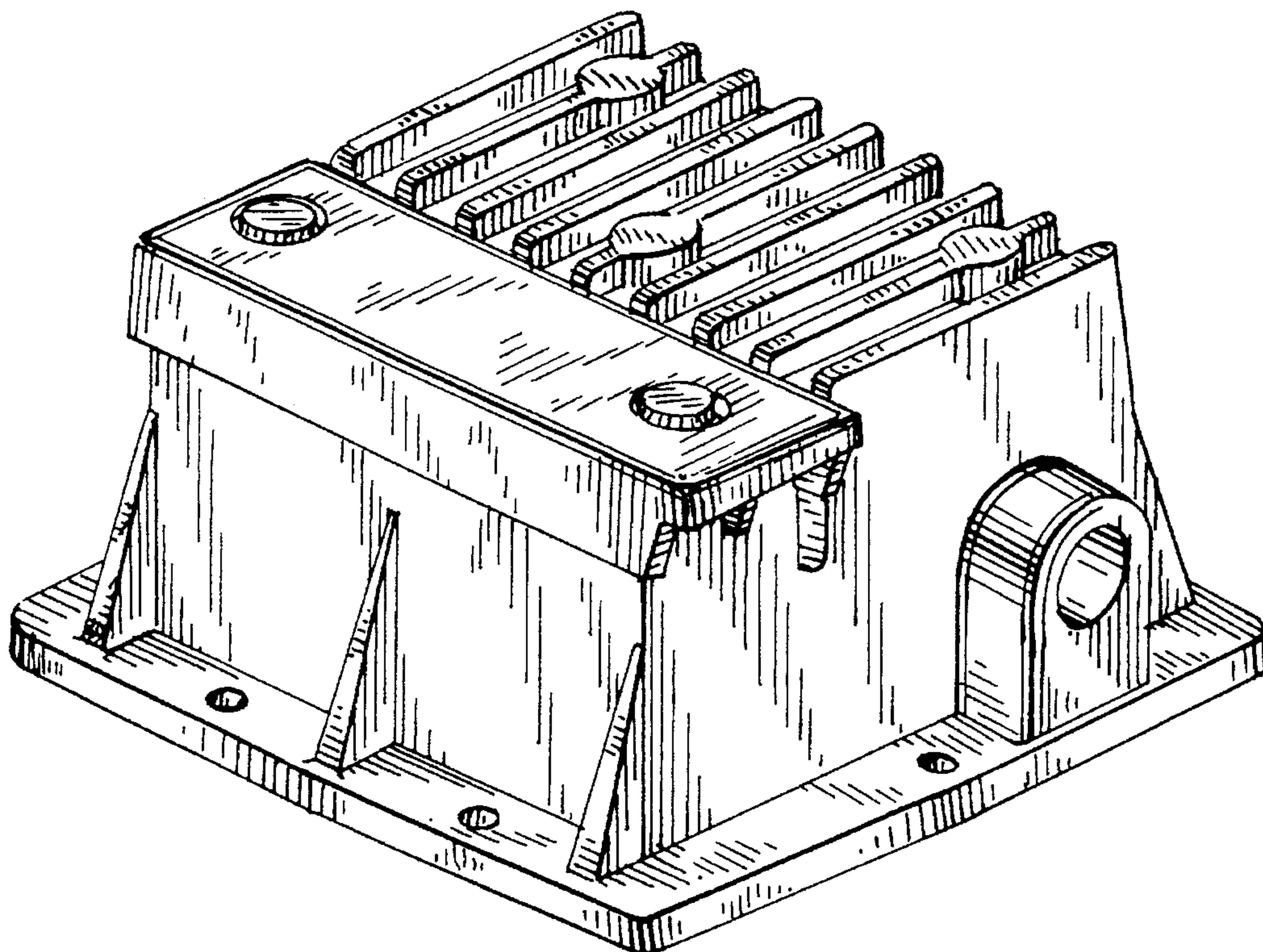
A page from a brochure of Emglo Products Corporation dated Mar. 14, 1988.

An advertisement dated Oct. 1993 of Emglo Products Corporation showing 2 air compressors.

A page from a brochure of Fini S. p. A. dated Mar. 1992 showing a OL200 air compressor.

An advertisement dated Aug. 1992 of Associate Engineering Corporation showing several air compressors.

**1 Claim, 3 Drawing Sheets**



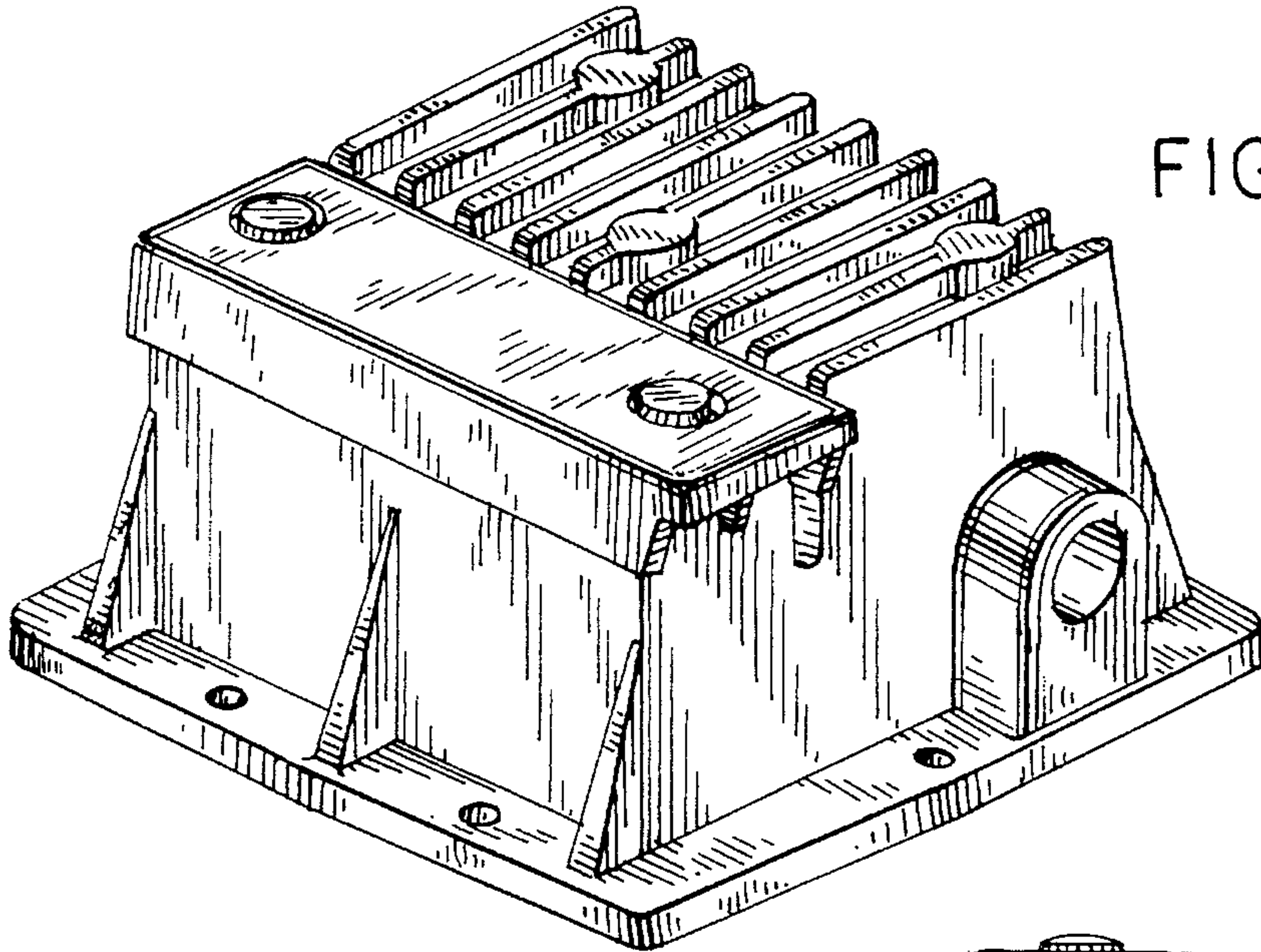


FIG. 1

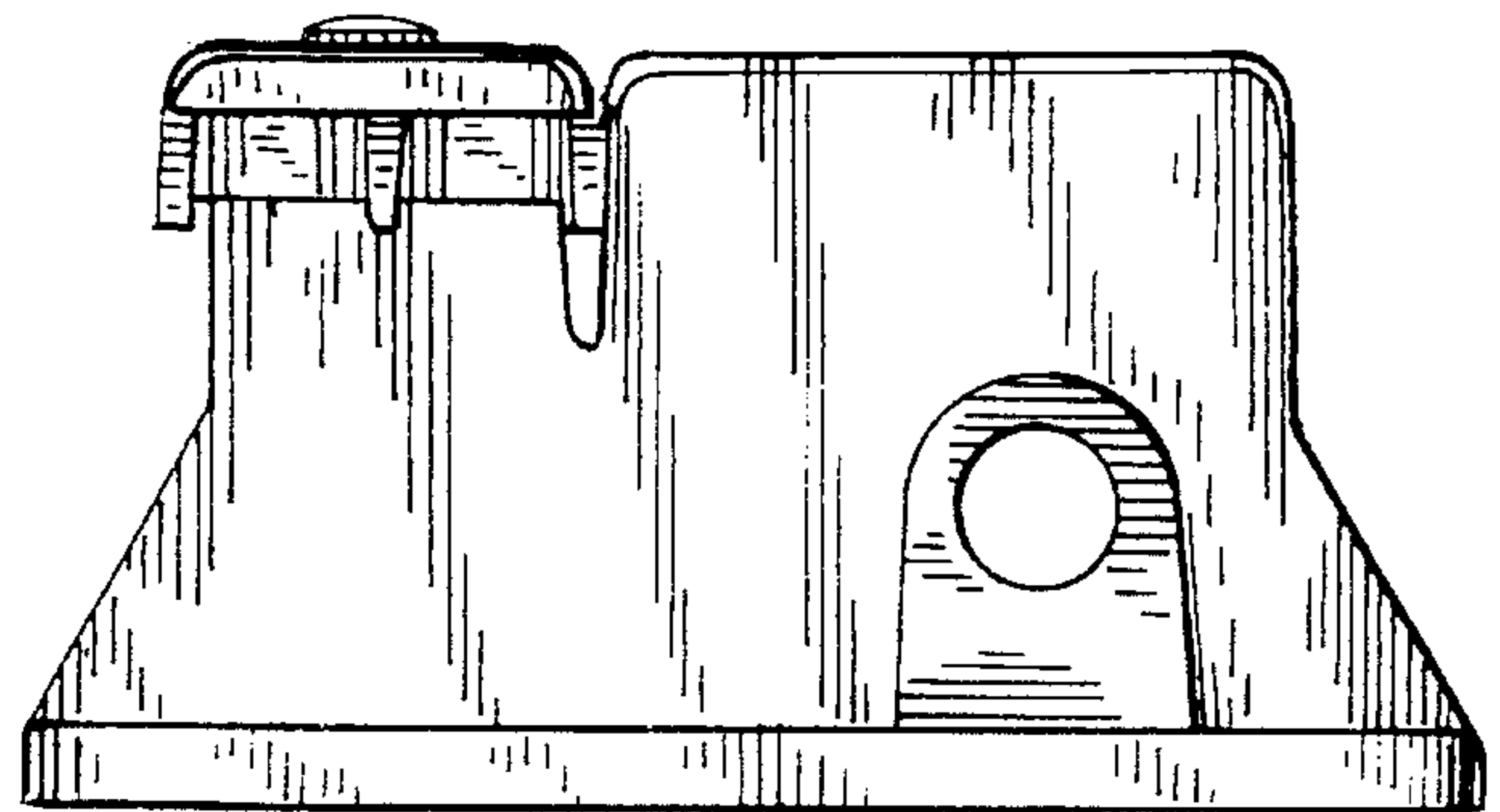


FIG. 2

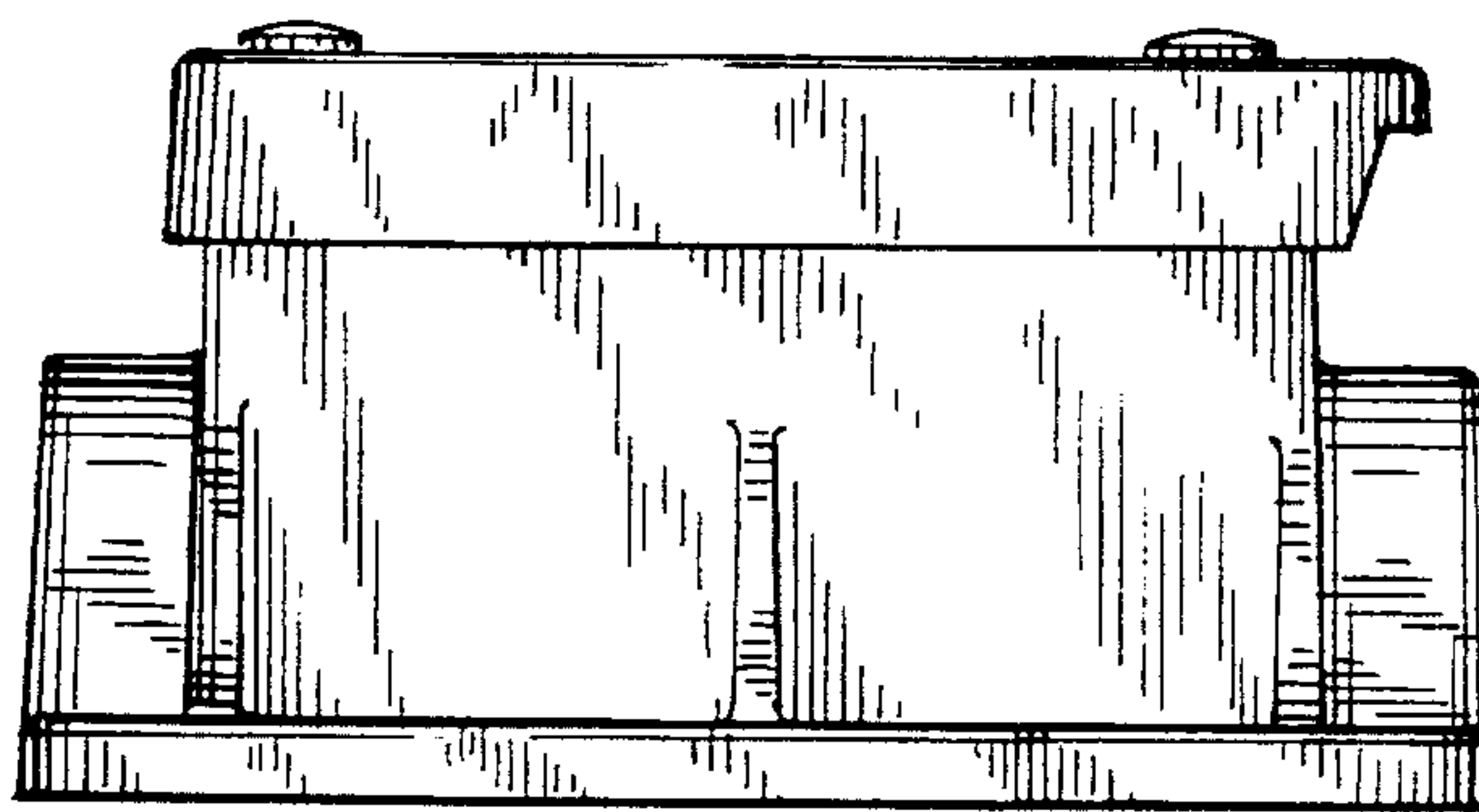


FIG. 3

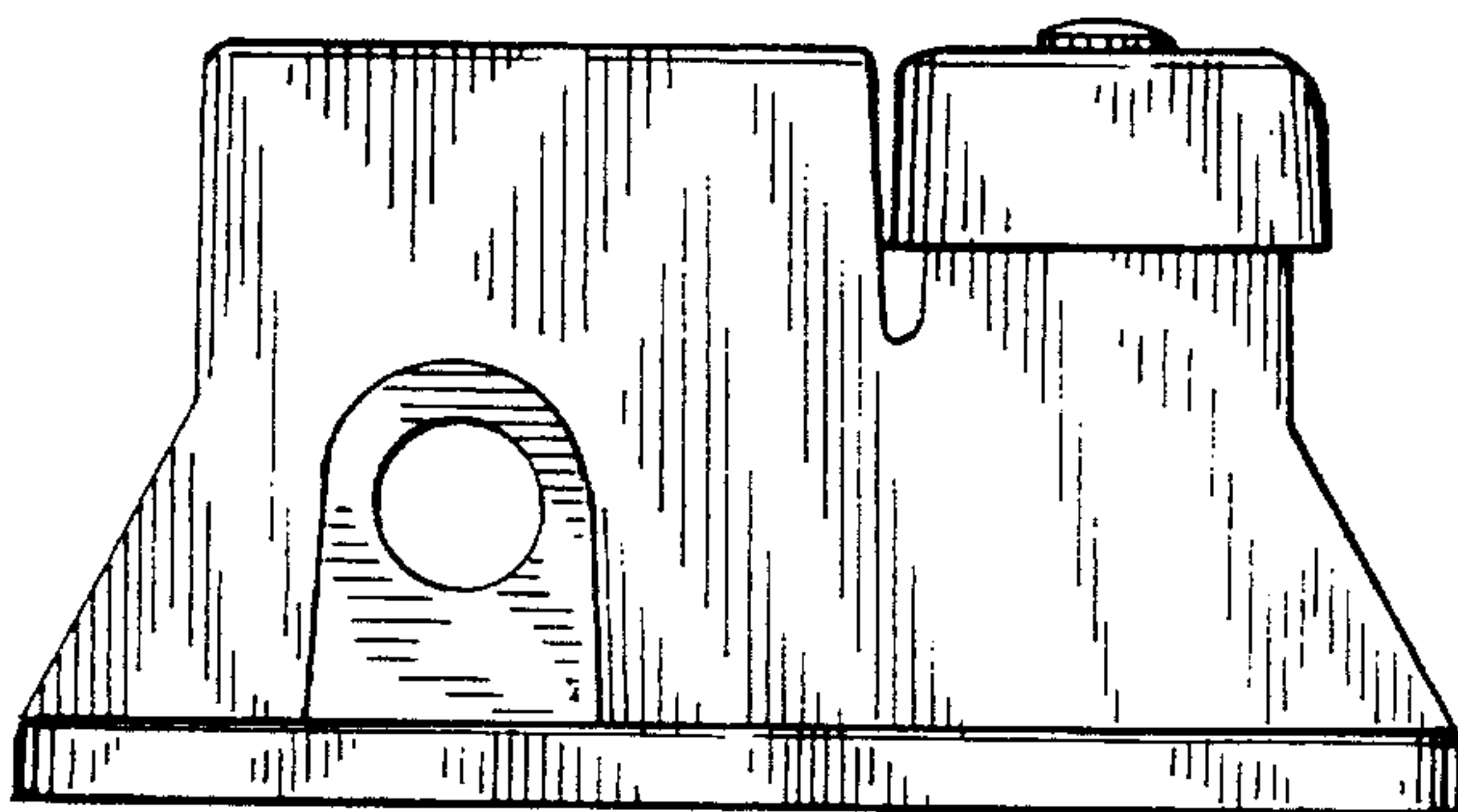


FIG. 4



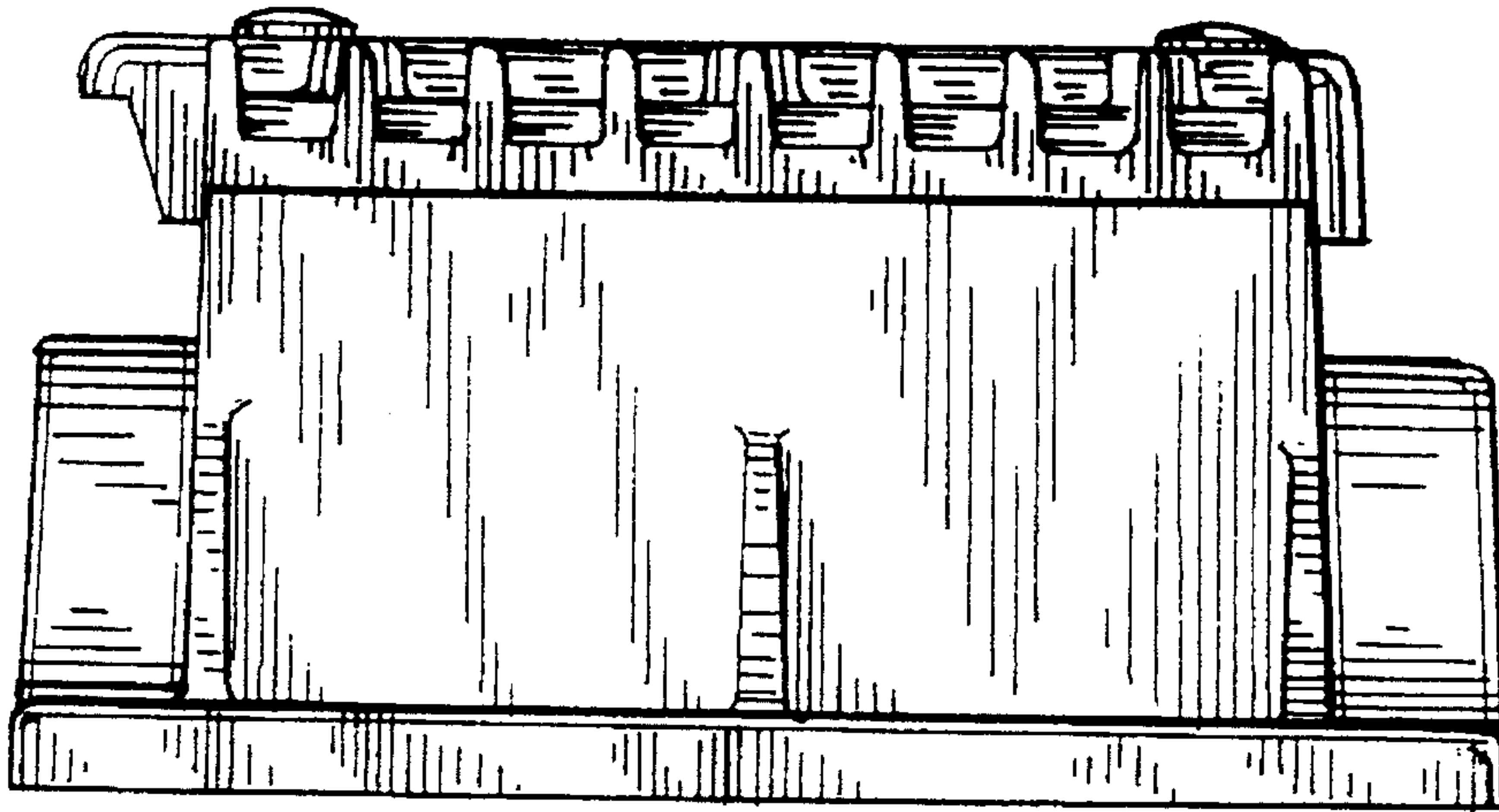


FIG. 5

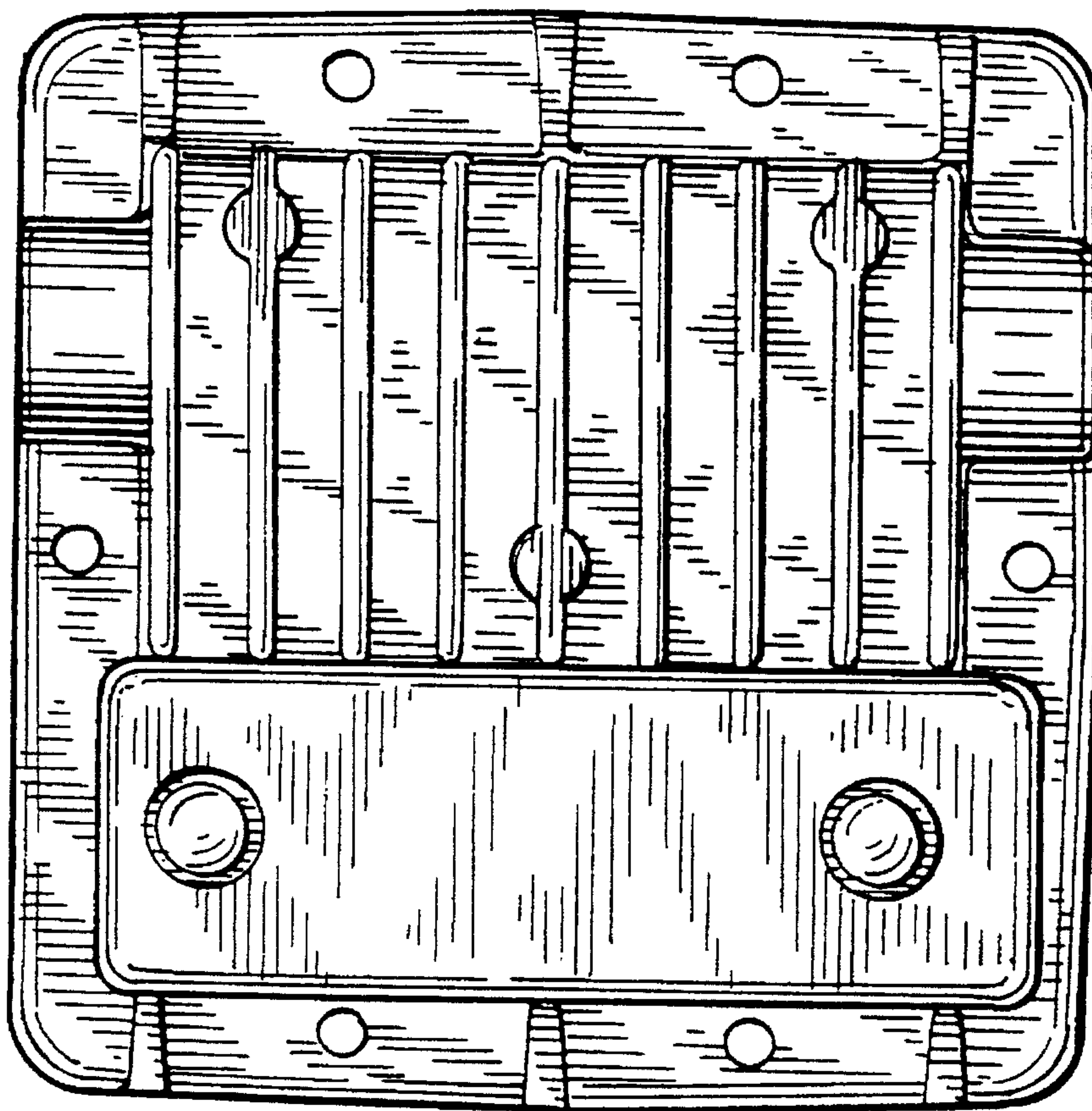


FIG. 6

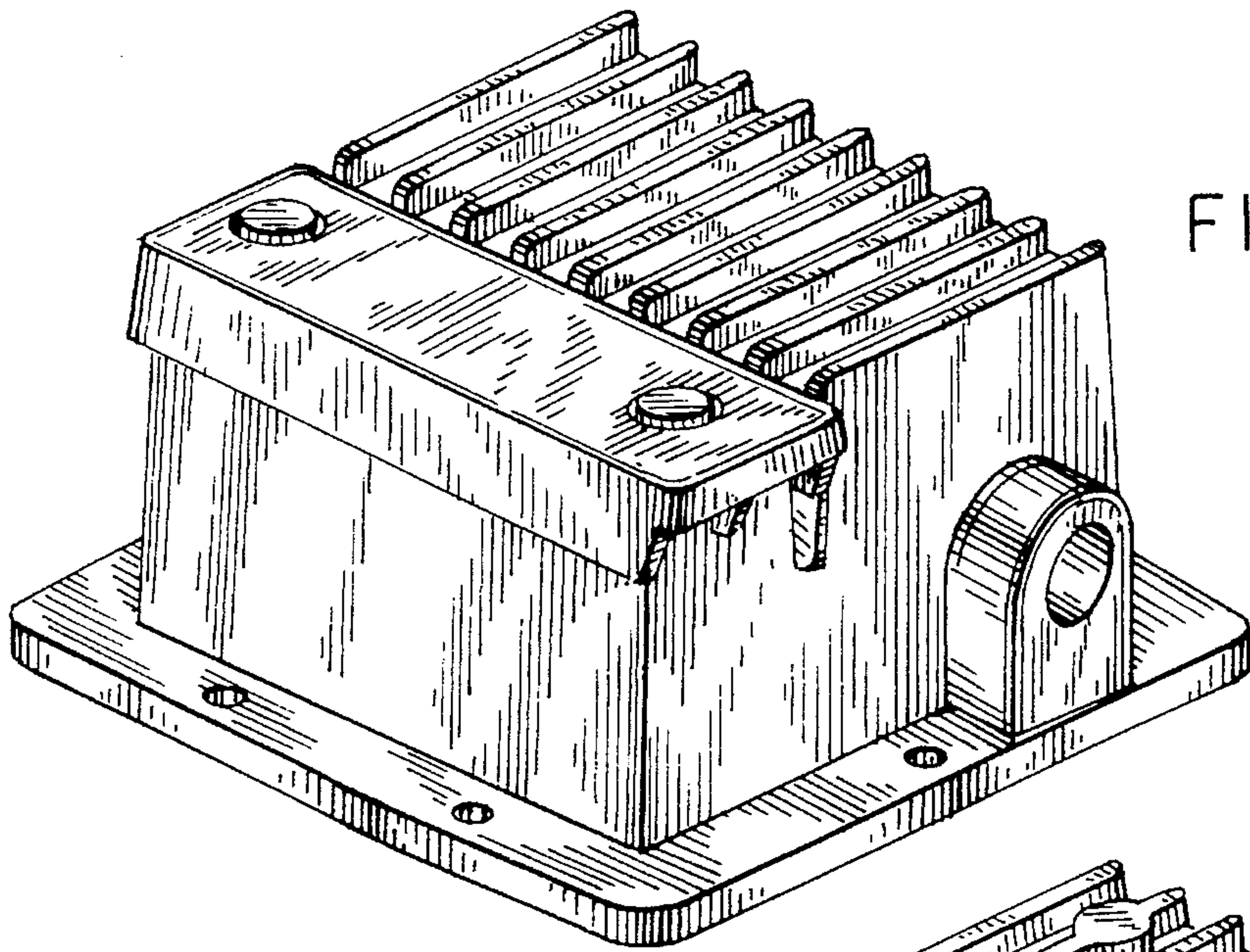


FIG. 7

FIG. 8

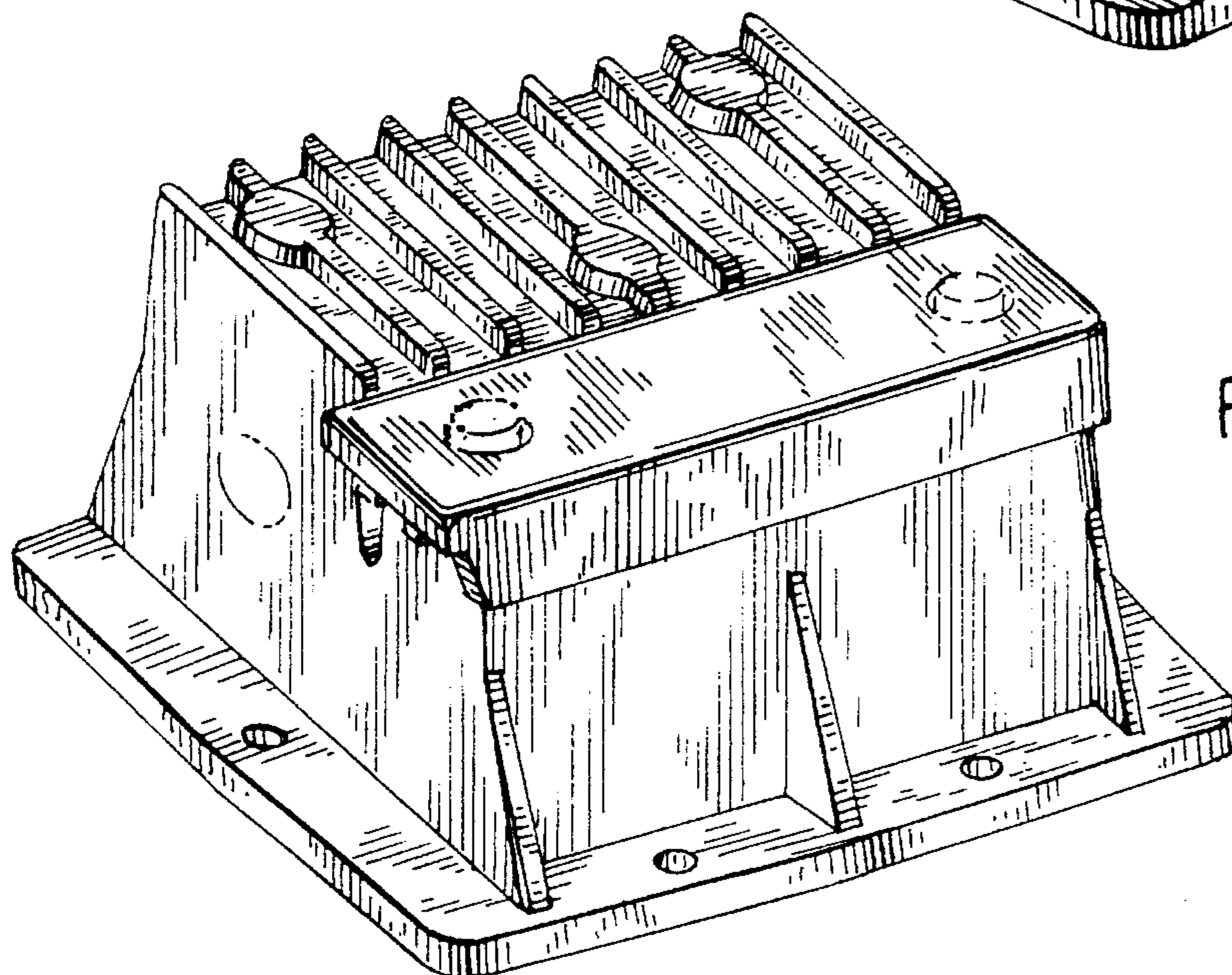
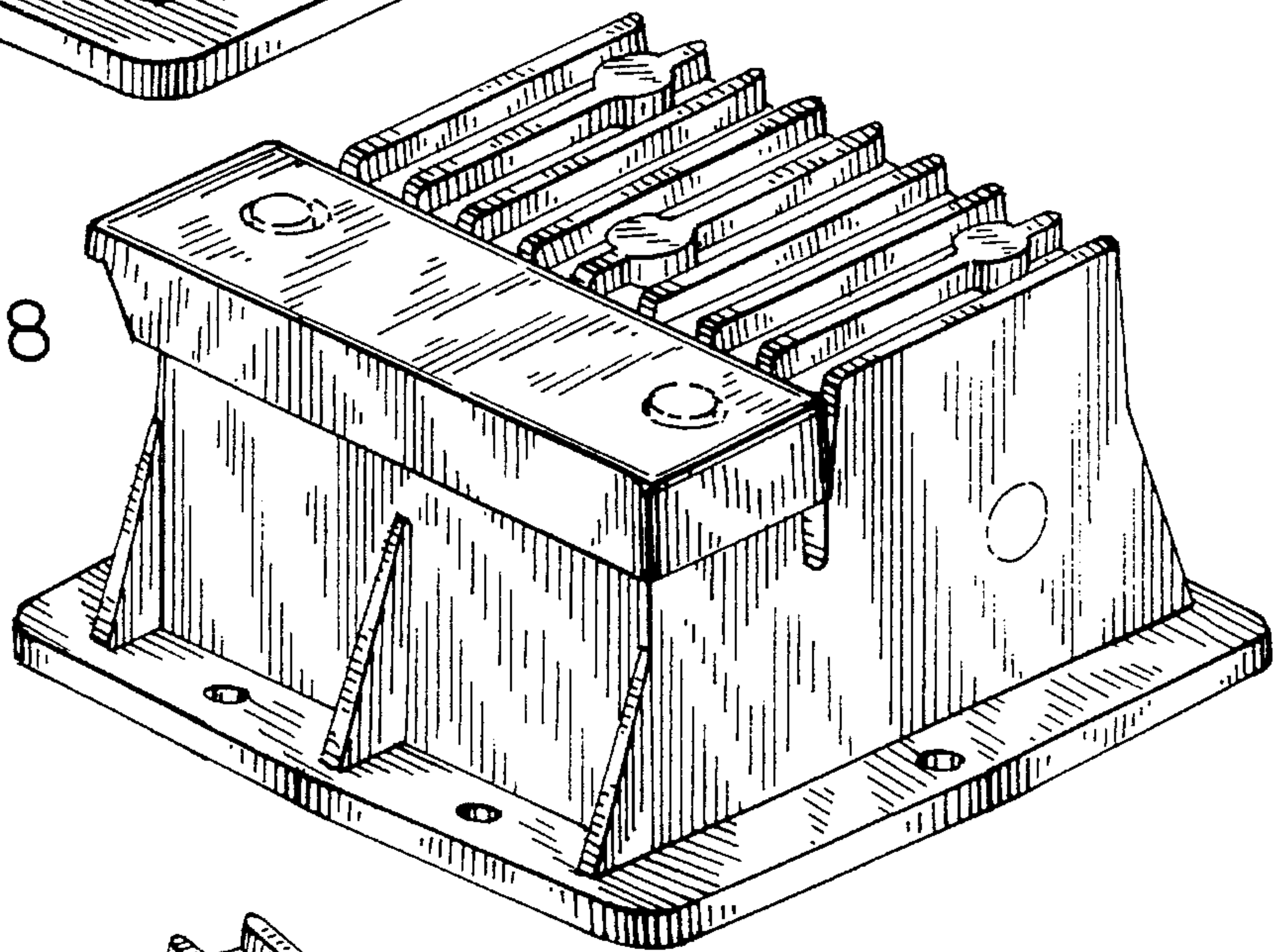


FIG. 9