



US00D370909S

# United States Patent [19]

Oikawa et al.

[11] Patent Number: **Des. 370,909**

[45] Date of Patent: **\*\*Jun. 18, 1996**

## [54] VIDEO DISPLAYING UNIT

[75] Inventors: **Akitoshi Oikawa; Kenji Tosaki**, both of Tokyo, Japan

[73] Assignee: **Sega Enterprises, Ltd.**, Japan

[\*\*] Term: **14 Years**

[21] Appl. No.: **44,336**

[22] Filed: **Sep. 22, 1995**

## [30] Foreign Application Priority Data

Mar. 24, 1995 [JP] Japan ..... 7-7981

[52] U.S. Cl. .... **D14/124**

[58] Field of Search ..... D14/124, 121, D14/100; D21/240, 13, 48; 273/148 B, 433-438, DIG. 28; 359/480, 431, 407, 630; 345/7, 8, 9, 905; 348/42, 53, 115, 838

## [56] References Cited

### U.S. PATENT DOCUMENTS

D. 338,514	8/1993	Holmes	.....	D21/240
D. 363,279	10/1995	Ishizawa et al.	.....	D14/124
D. 363,482	10/1995	Robinson et al.	.....	D14/124
4,737,972	4/1988	Schoolman	.....	345/8 X
4,952,024	8/1990	Gale	.....	348/53 X
5,129,716	7/1992	Holakovszky	.....	348/53 X
5,276,471	1/1994	Yamauchi et al.	.....	348/53 X

## OTHER PUBLICATIONS

HongKong Enterprise, Oct. 1994, p. 277.

*Primary Examiner*—Prabhakar G. Deshmukh  
*Attorney, Agent, or Firm*—Ladas & Parry

## [57] CLAIM

The ornamental design for a video displaying unit, as shown and described.

## DESCRIPTION

FIG. 1 is a top, front and right side perspective view of a video displaying unit showing our new design;  
 FIG. 2 is a front view thereof;  
 FIG. 3 is a rear view thereof;  
 FIG. 4 is a top view thereof;  
 FIG. 5 is a bottom view thereof;  
 FIG. 6 is a right side view thereof;  
 FIG. 7 is a left side view thereof;  
 FIG. 8 is a top, rear and left side perspective view thereof;  
 FIG. 9 is a bottom perspective view thereof;  
 FIG. 10 is a top view thereof, in a state where the central part is extended;  
 FIG. 11 is a bottom view thereof, in a state where the central part is extended;  
 FIG. 12 is a right side view thereof, in a state where the central part is extended; and,  
 FIG. 13 is a right side view thereof, in a state where the shield is raised.

**1 Claim, 9 Drawing Sheets**

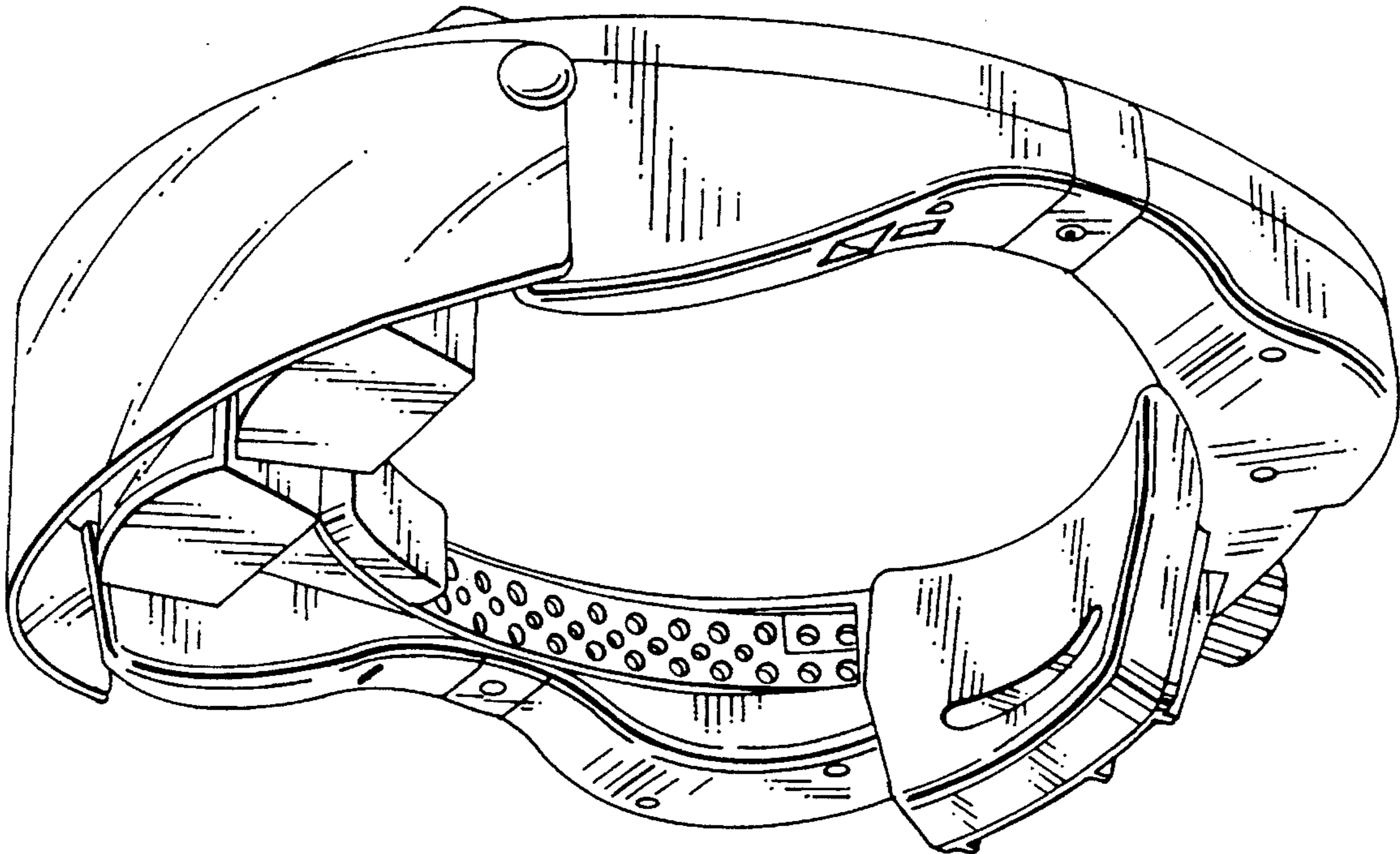


FIG. 1

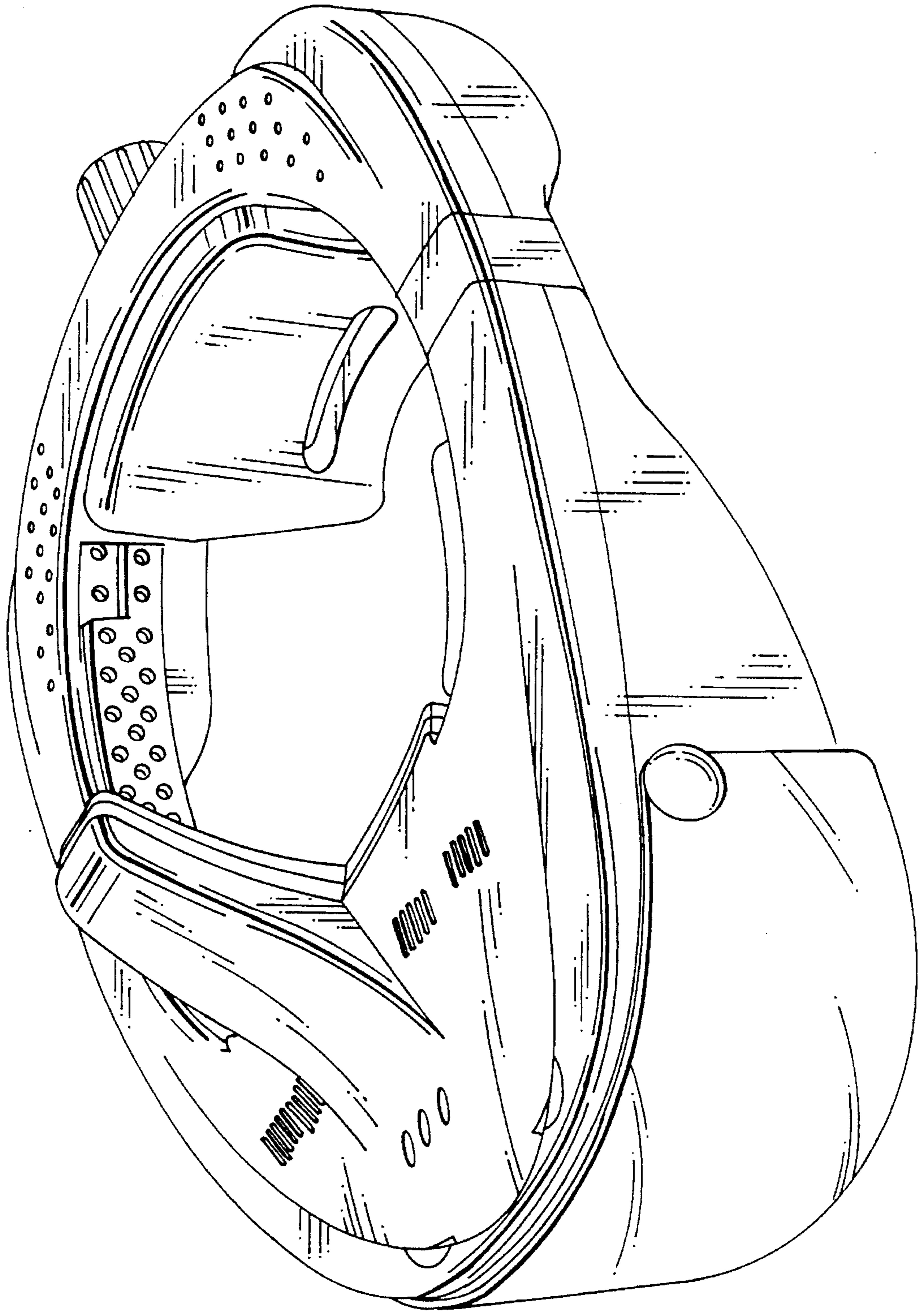


FIG. 2

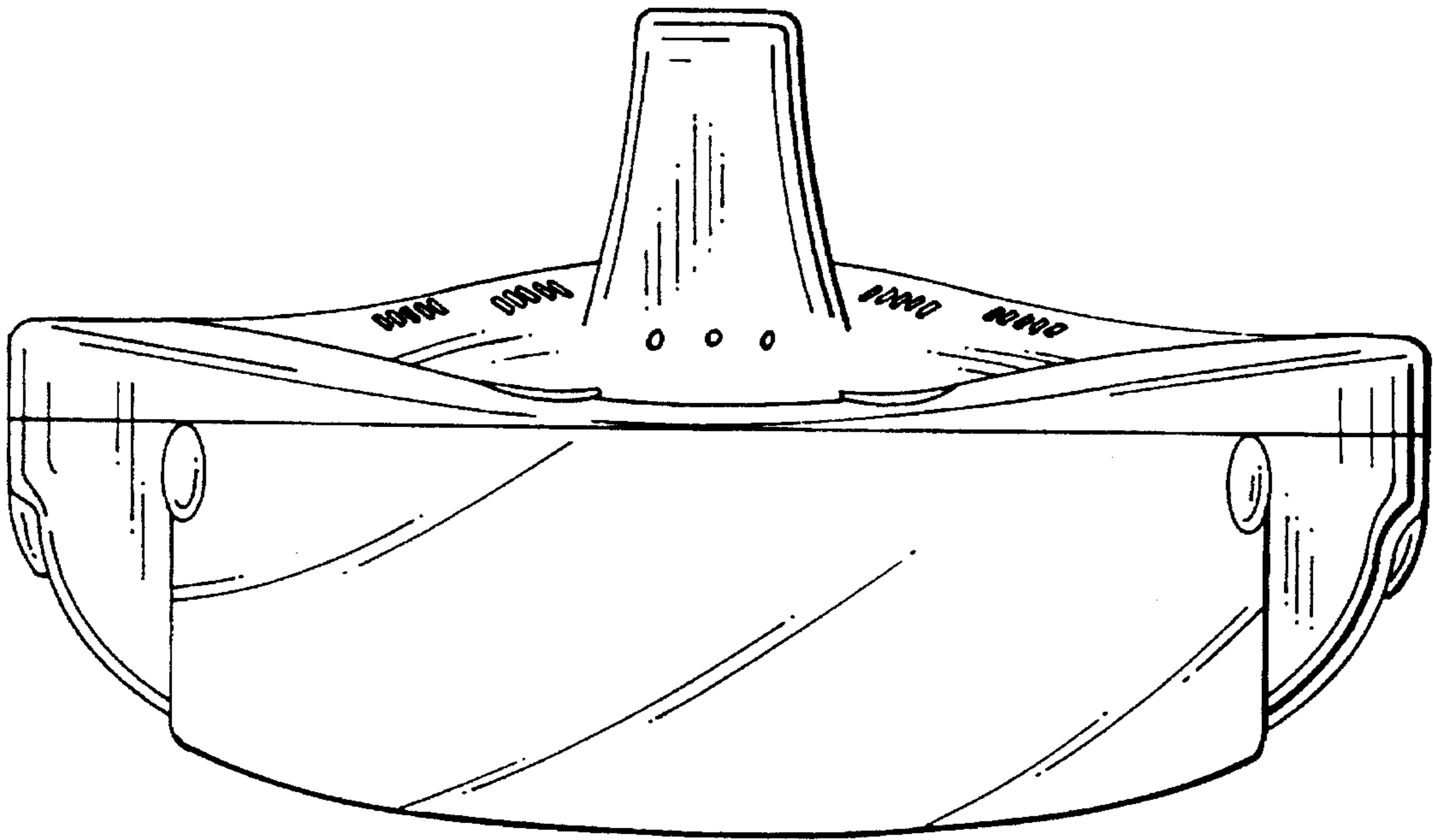


FIG. 3

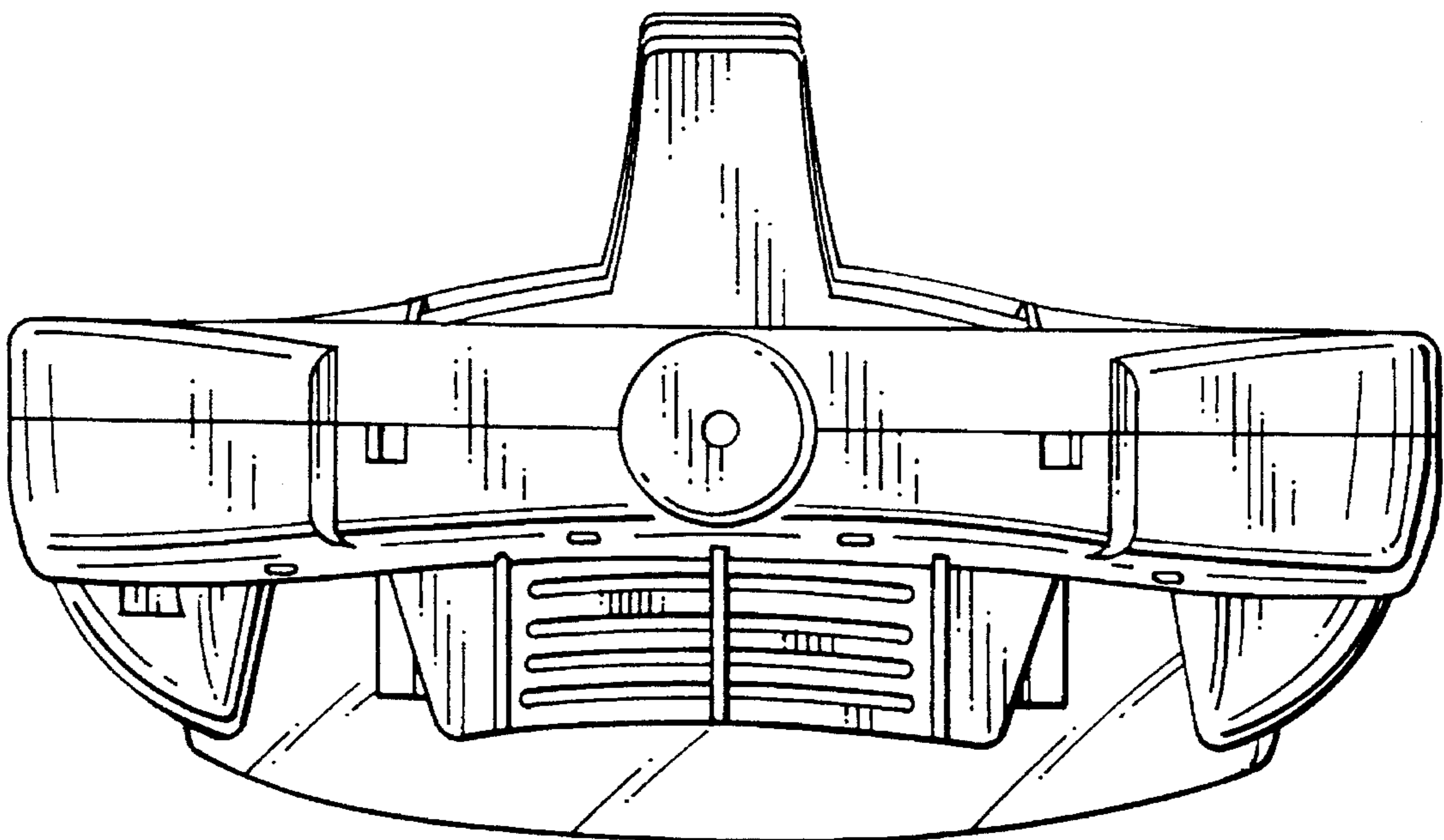


FIG. 4

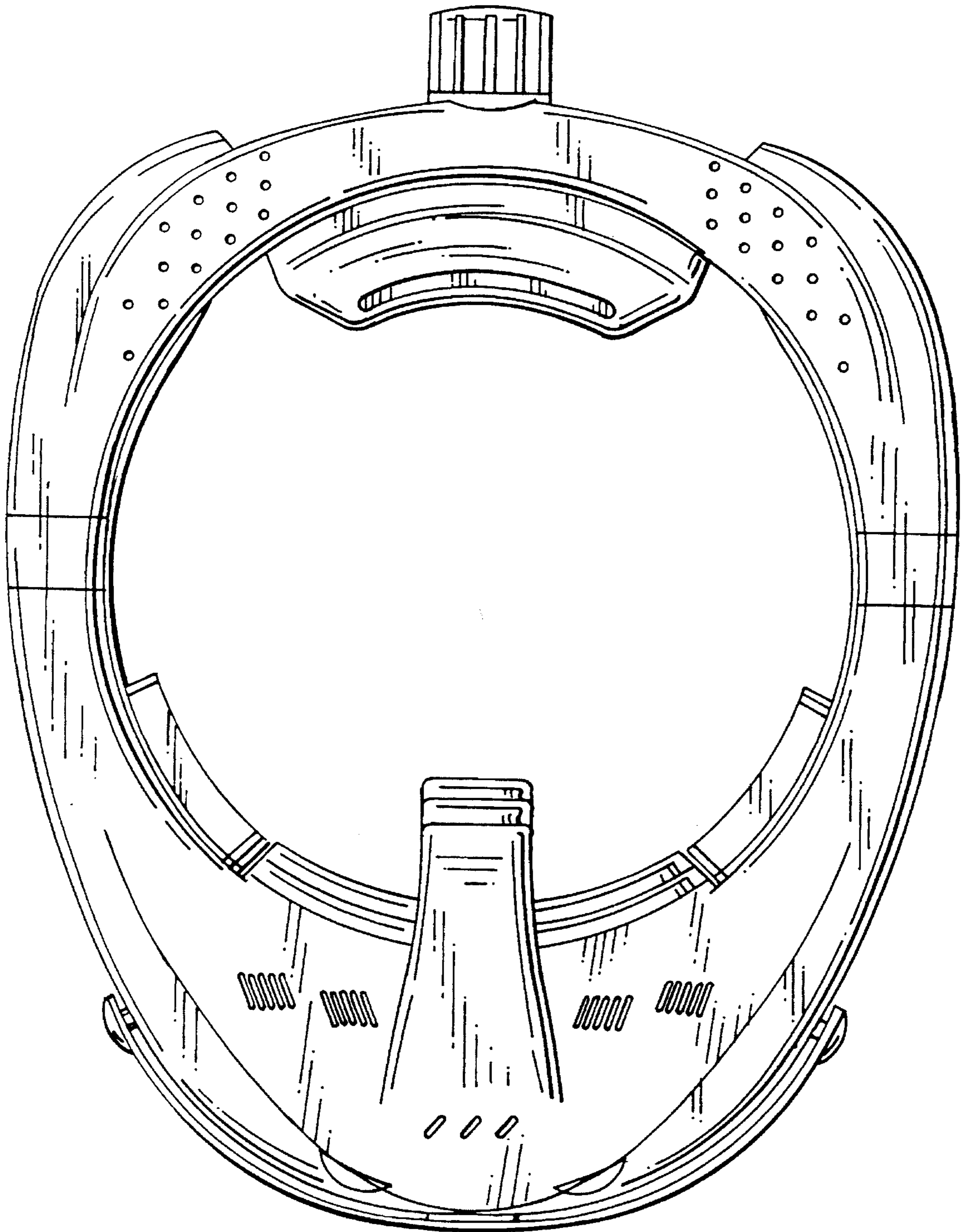
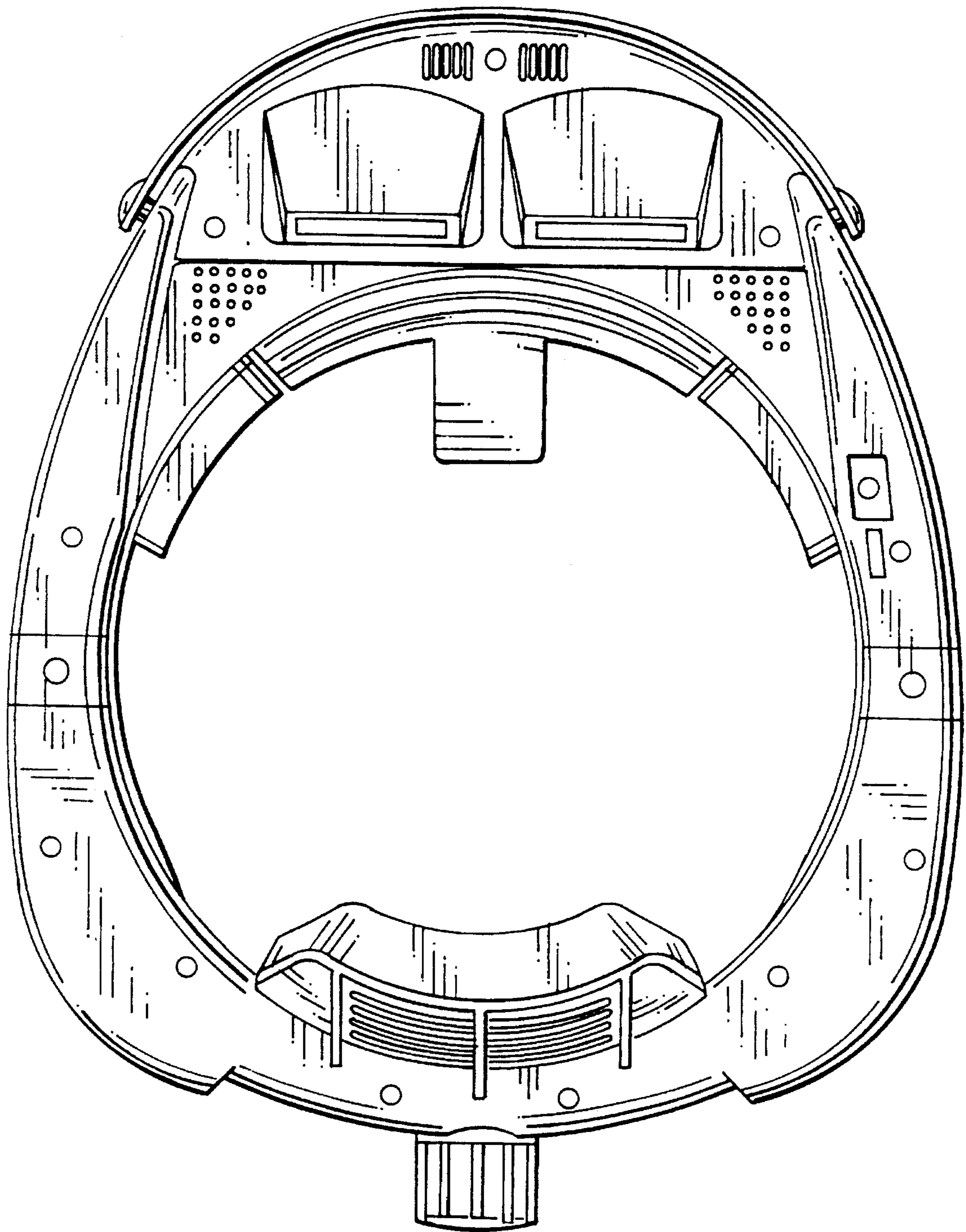


FIG. 5



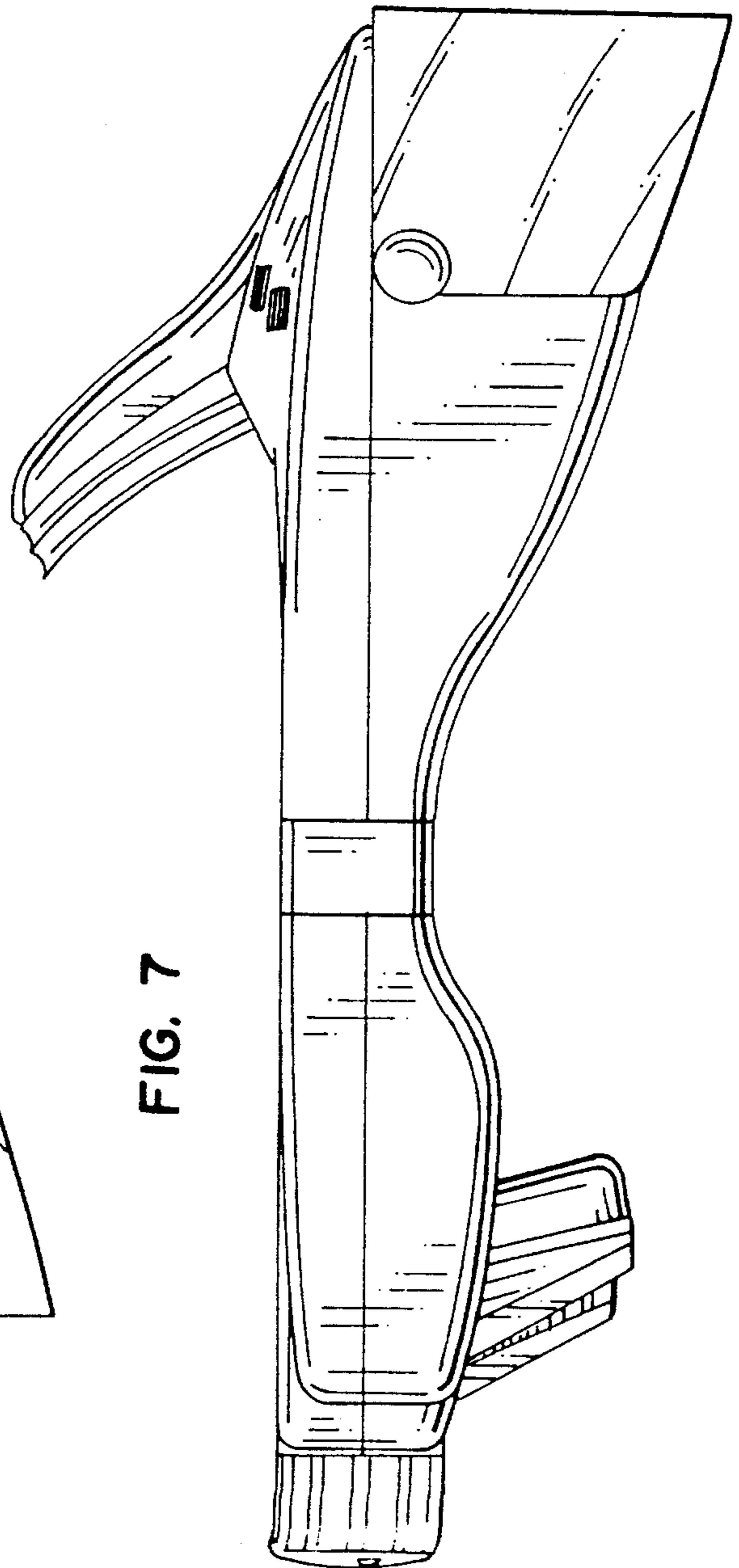
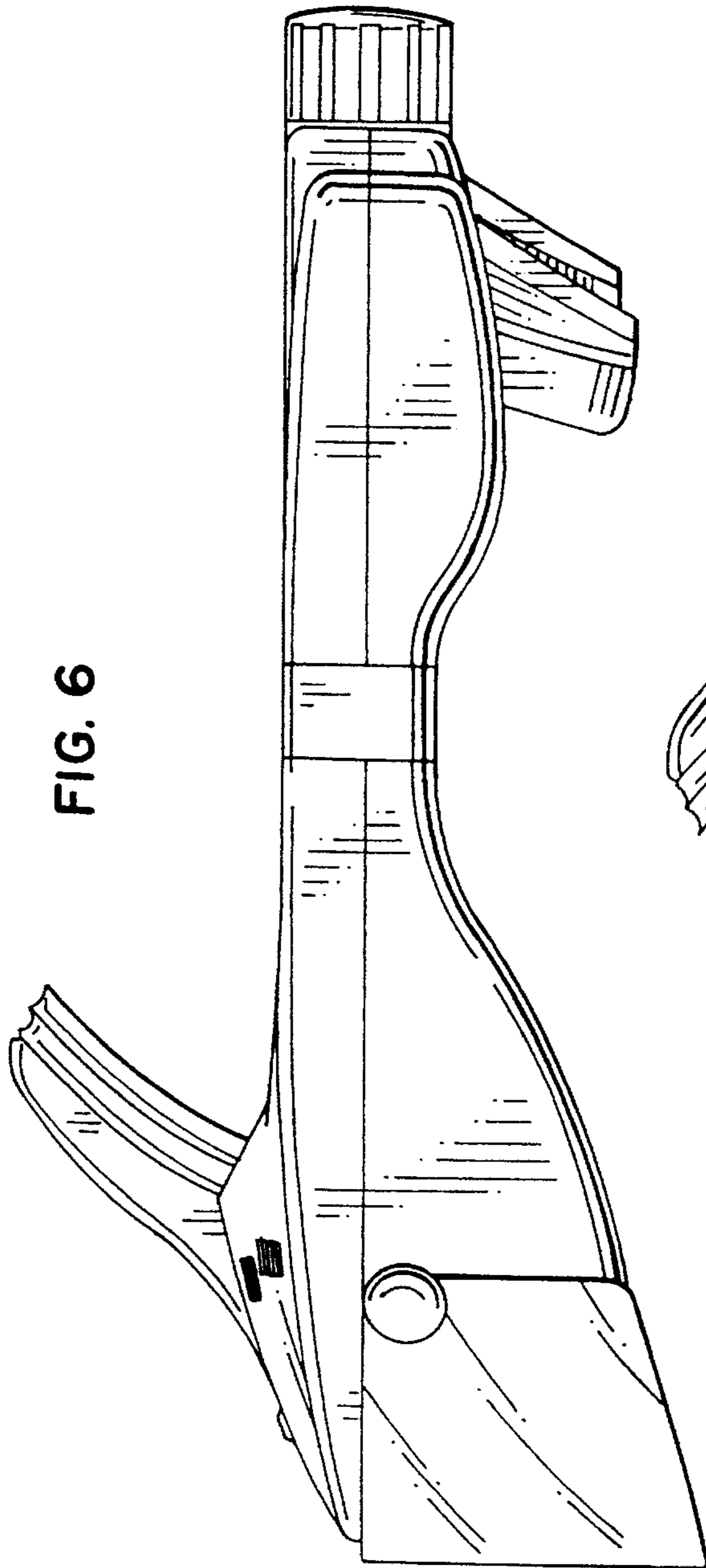


FIG. 8

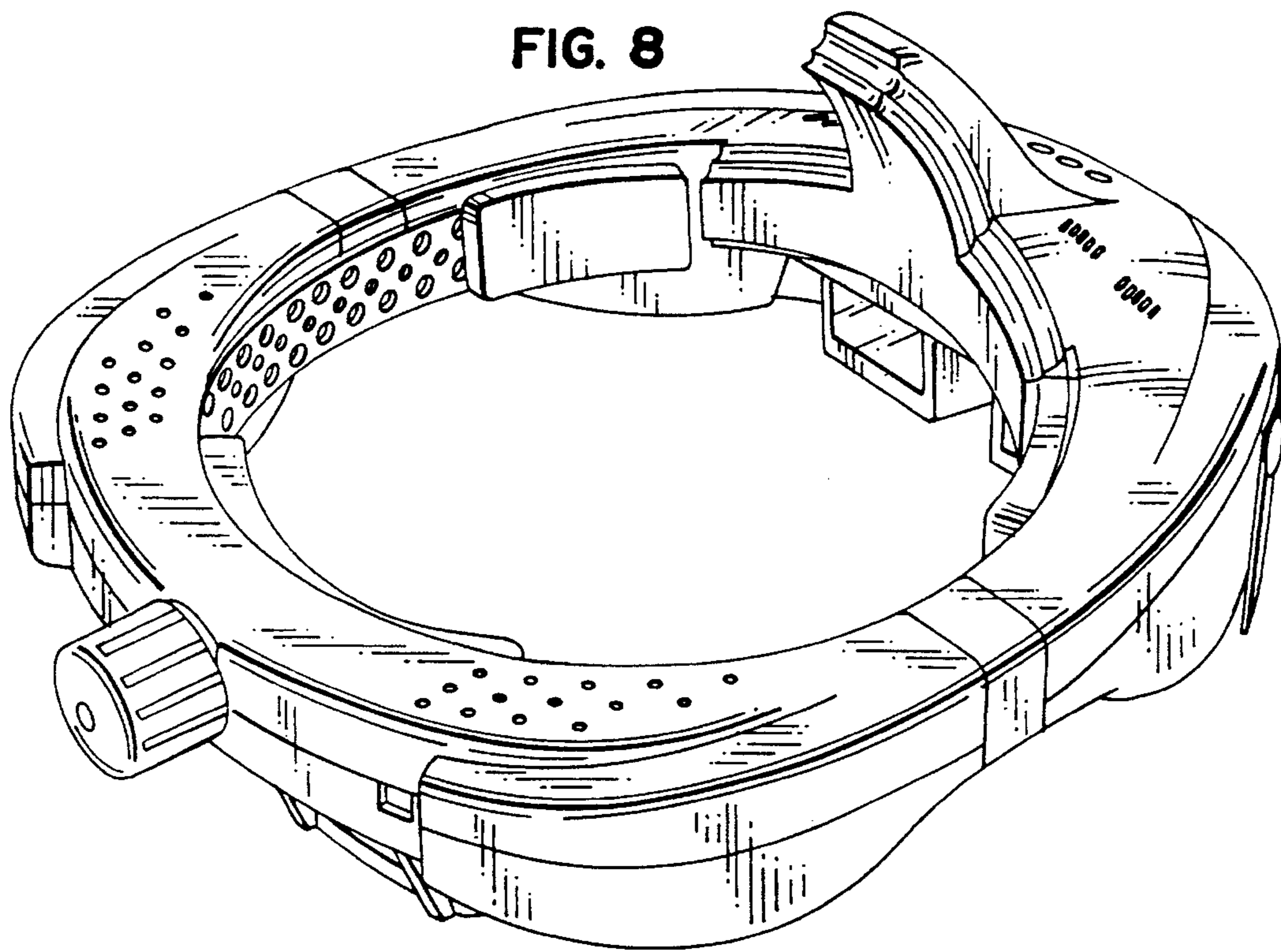


FIG. 9

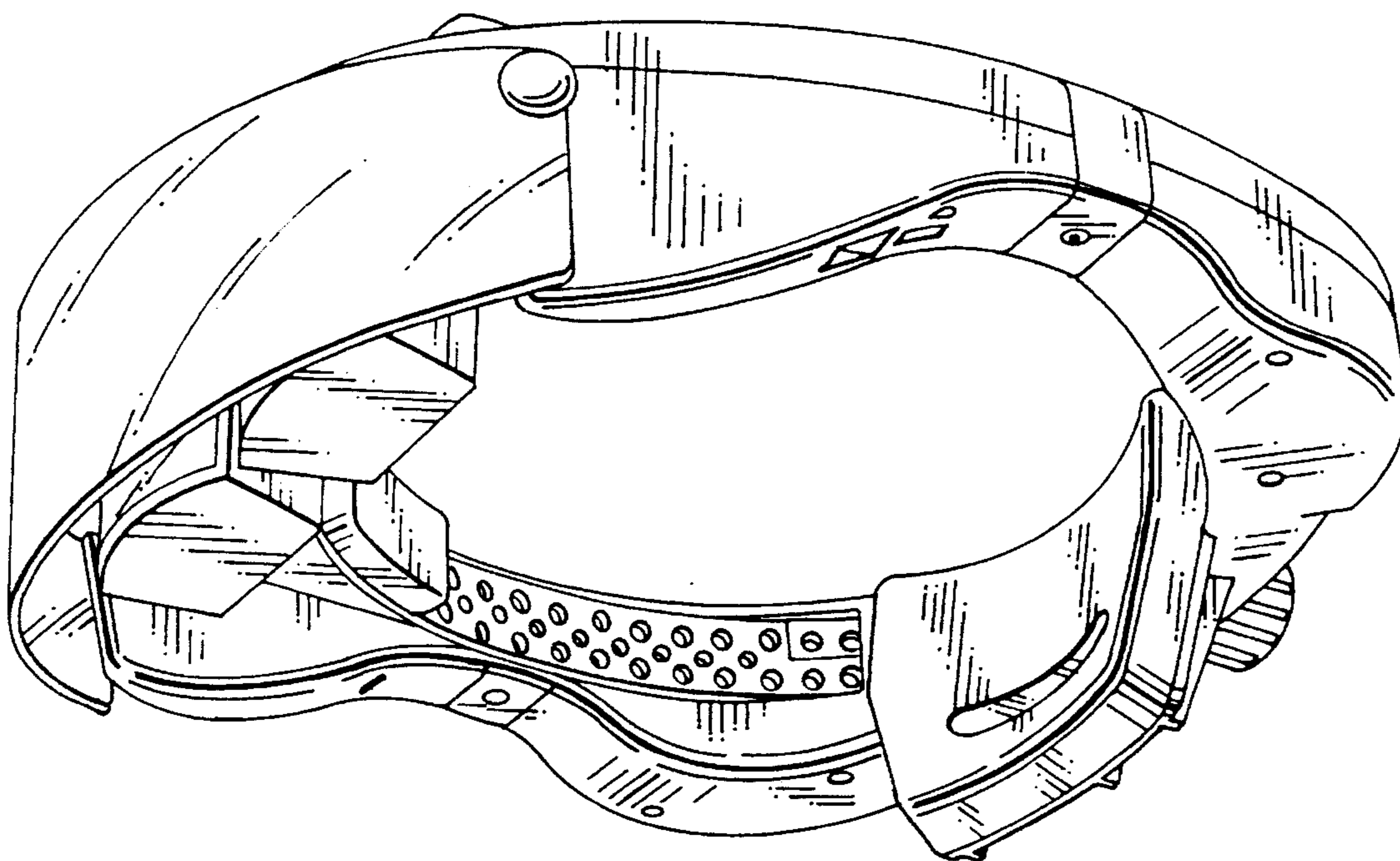


FIG. 10

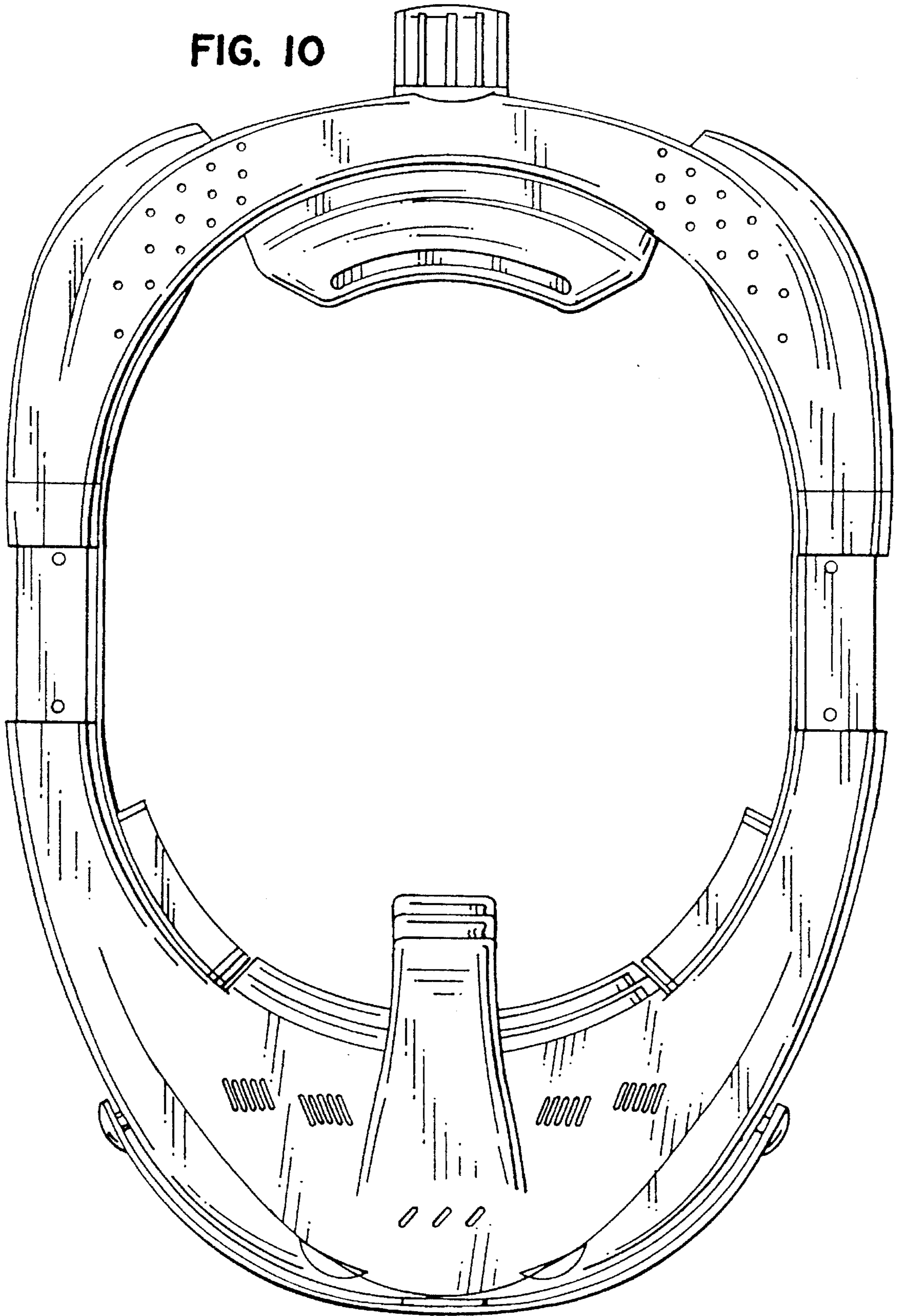




FIG. 11

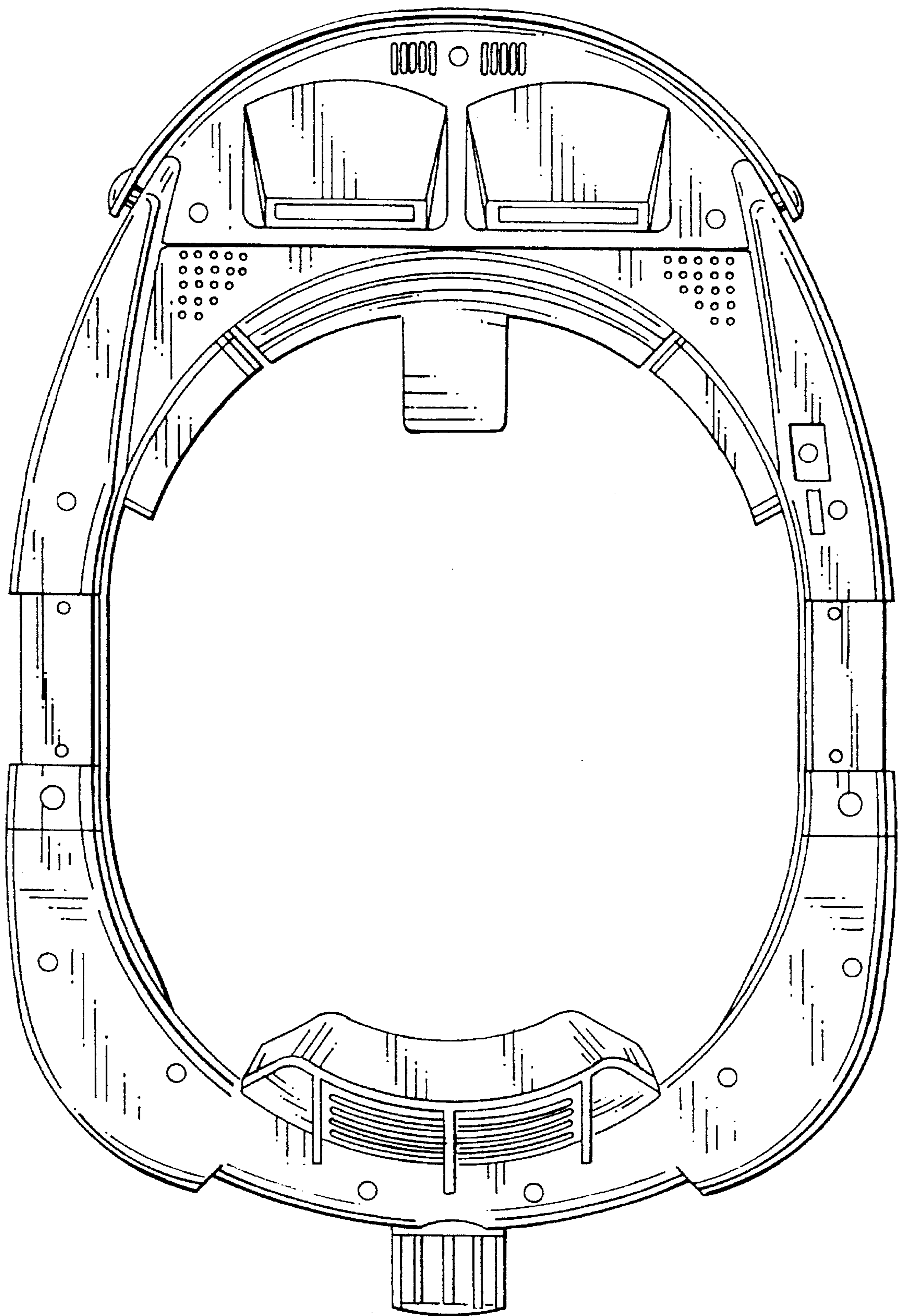


FIG. 12

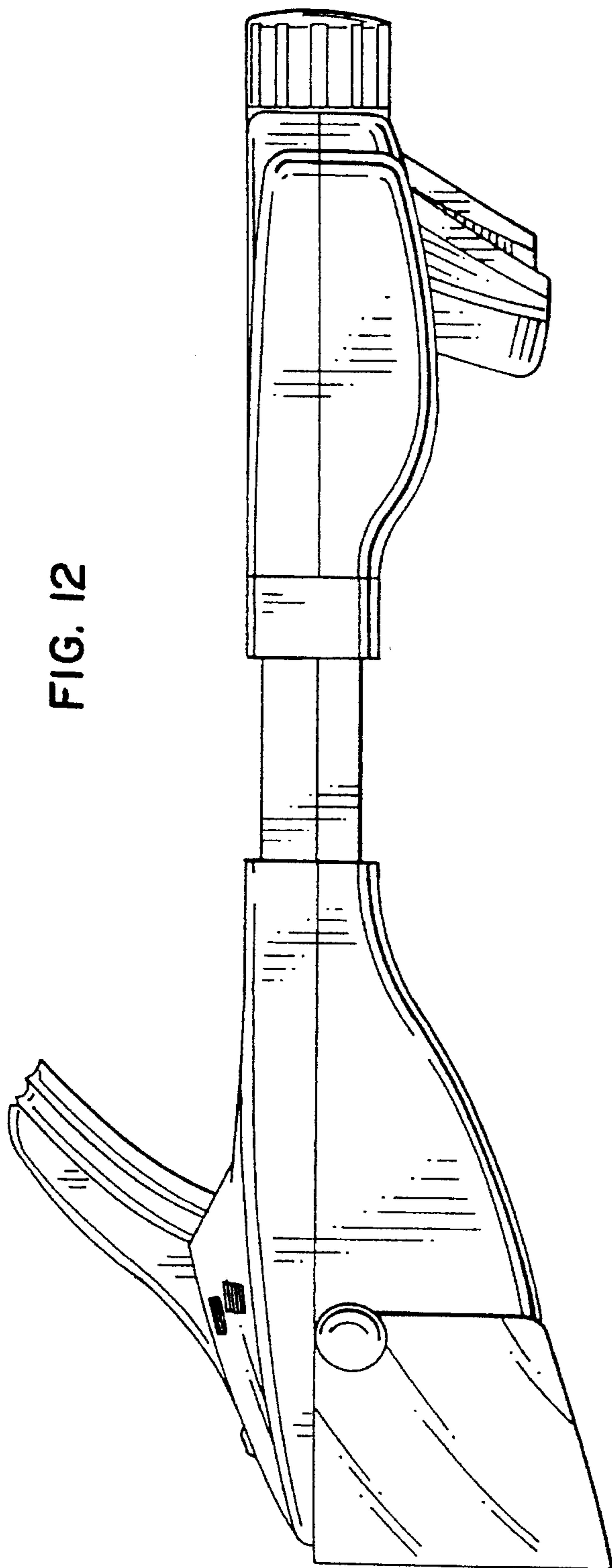


FIG. 13

