



US00D370908S

United States Patent [19]

[11] Patent Number: **Des. 370,908**

Weisburn et al.

[45] Date of Patent: ****Jun. 18, 1996**

[54] **TAPE REEL FLANGE**

[75] Inventors: **James T. Weisburn**, Massillon; **Bruce C. Straslicka**, Medina, both of Ohio

[73] Assignee: **Alpha Enterprises, Inc.**, North Canton, Ohio

[**] Term: **14 Years**

[21] Appl. No.: **43,650**

[22] Filed: **Sep. 8, 1995**

[52] U.S. Cl. **D14/122**

[58] Field of Search D14/120-123, D14/299; 242/335, 345, 345.1, 345.2, 345.3, 347, 613.5, 614, 614.1; 360/132, 133

[56] **References Cited**

U.S. PATENT DOCUMENTS

D. 304,584	11/1989	Kano	D14/122
D. 351,153	10/1994	Kim et al.	D14/122
D. 363,930	11/1995	Bailey et al.	D14/122
2,473,337	6/1949	Karr	D14/122 X
3,802,106	4/1974	Lippman	D14/122 X
3,822,841	7/1974	Campbell	242/115
4,266,738	5/1981	Nakagawa	242/74.1
4,289,282	9/1981	Kohno	242/71.8

4,473,194	9/1984	Kashimura	242/71.8
4,702,429	10/1987	Black	242/71.8
4,726,534	2/1988	Chenoweth	242/71.9
5,114,089	5/1992	Posso	242/71.8
5,199,661	4/1993	Gelardi et al.	242/345.2
5,370,332	12/1994	Goff et al.	242/344

OTHER PUBLICATIONS

Radio Shack, 1991 Cat. p. 41.

Primary Examiner—Prabhakar G. Deshmukh
Attorney, Agent, or Firm—Sand & Sebolt

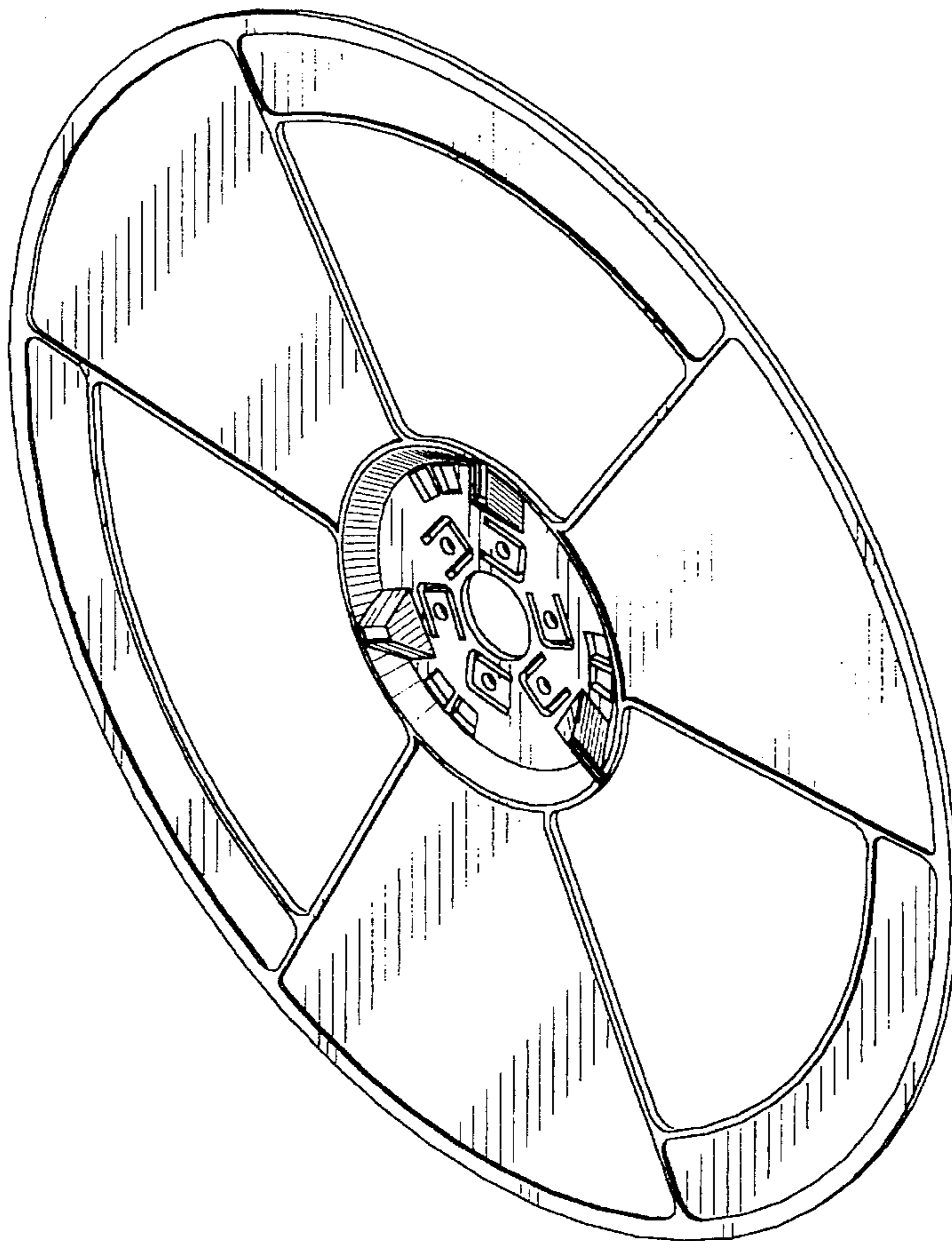
[57] **CLAIM**

The ornamental design for a tape reel flange, as shown and described.

DESCRIPTION

FIG. 1 is a perspective view of a tape reel flange, showing our new design;
FIG. 2 is an end elevational view of the tape reel flange of FIG. 1;
FIG. 3 is a plan view of the outer surface of the tape reel flange shown in FIGS. 1 and 2; and,
FIG. 4 is a plan view of the inner surface of the tape reel flange as shown in FIG. 1.

1 Claim, 3 Drawing Sheets



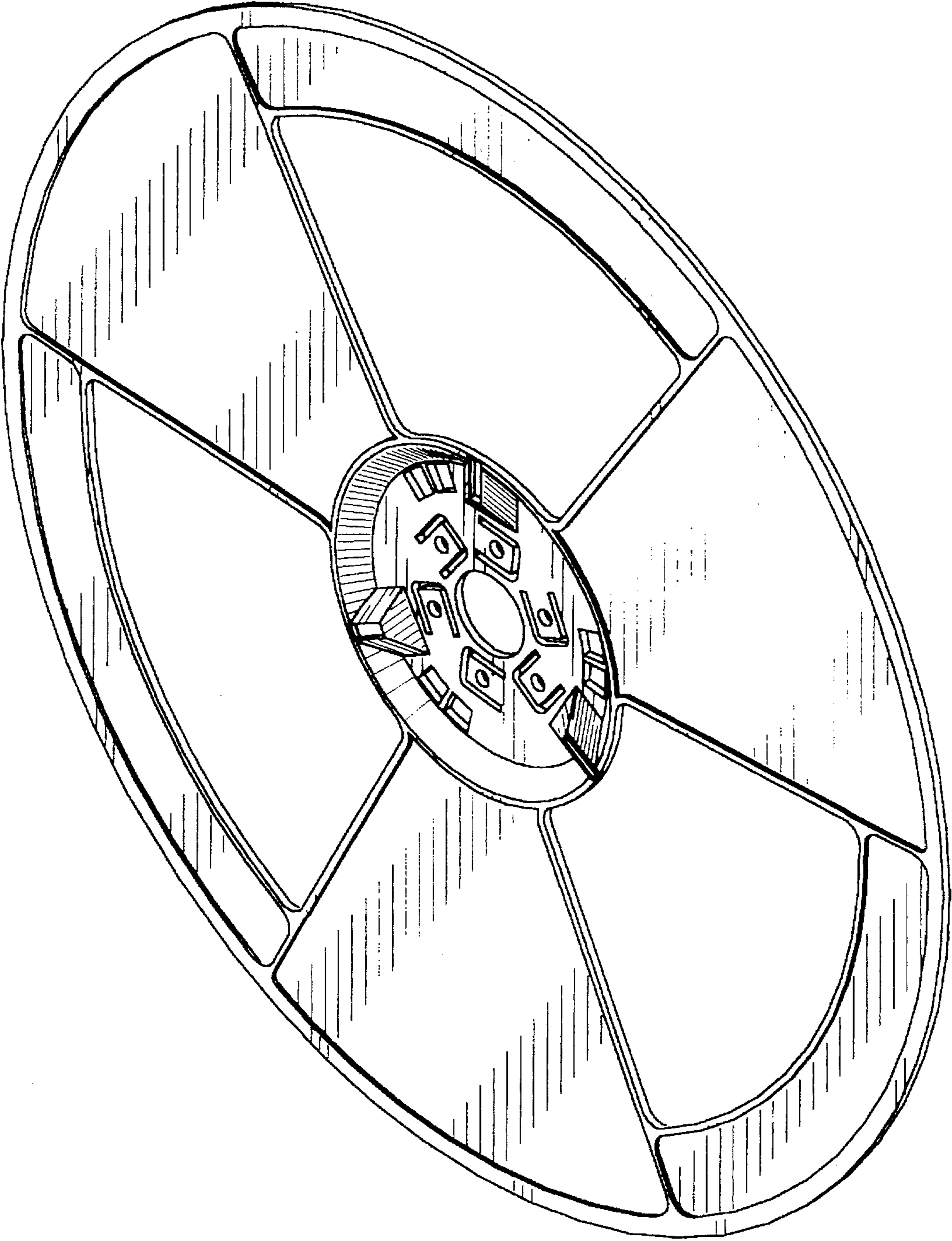


FIG. 1



FIG. 2

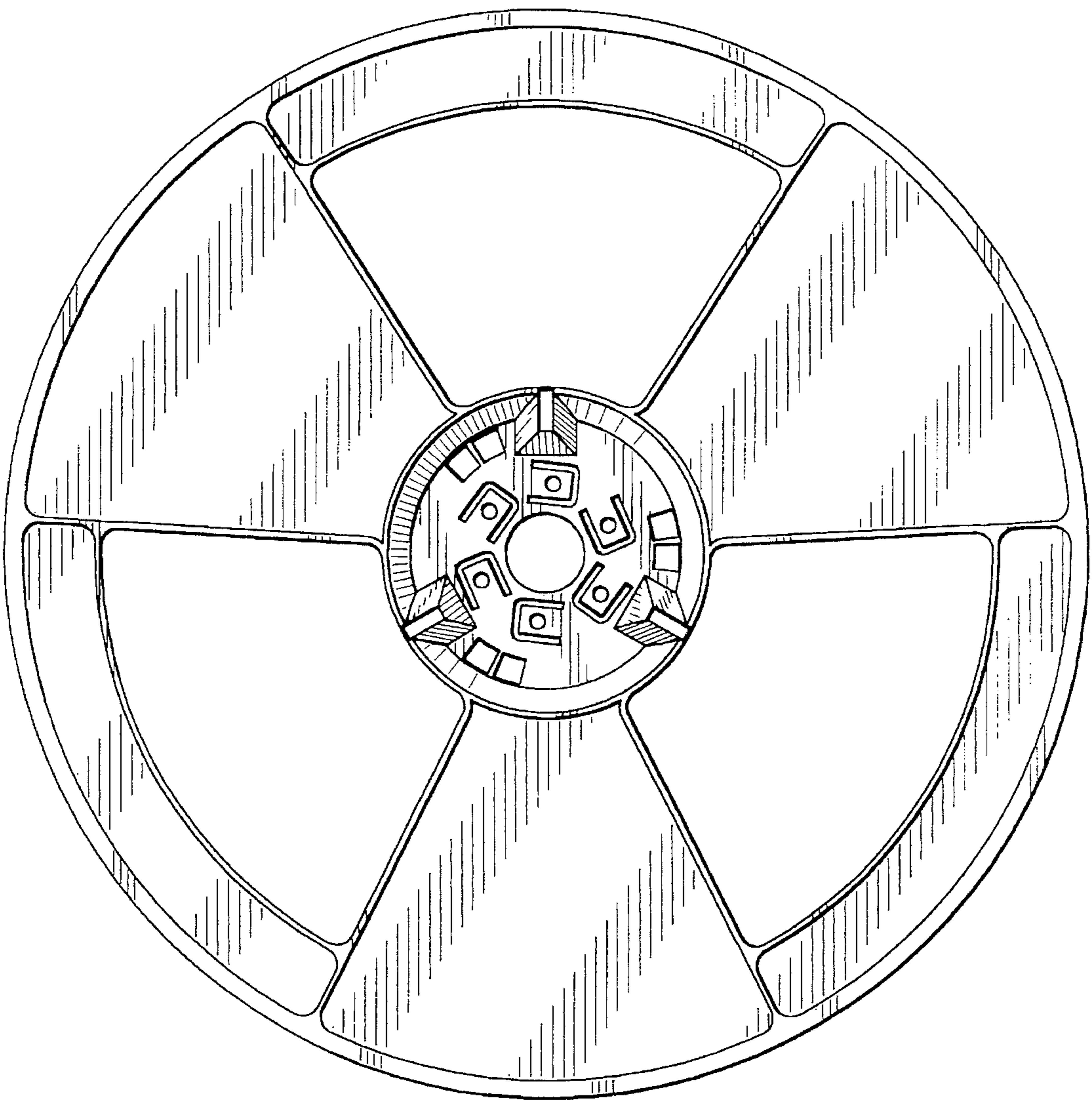


FIG. 3

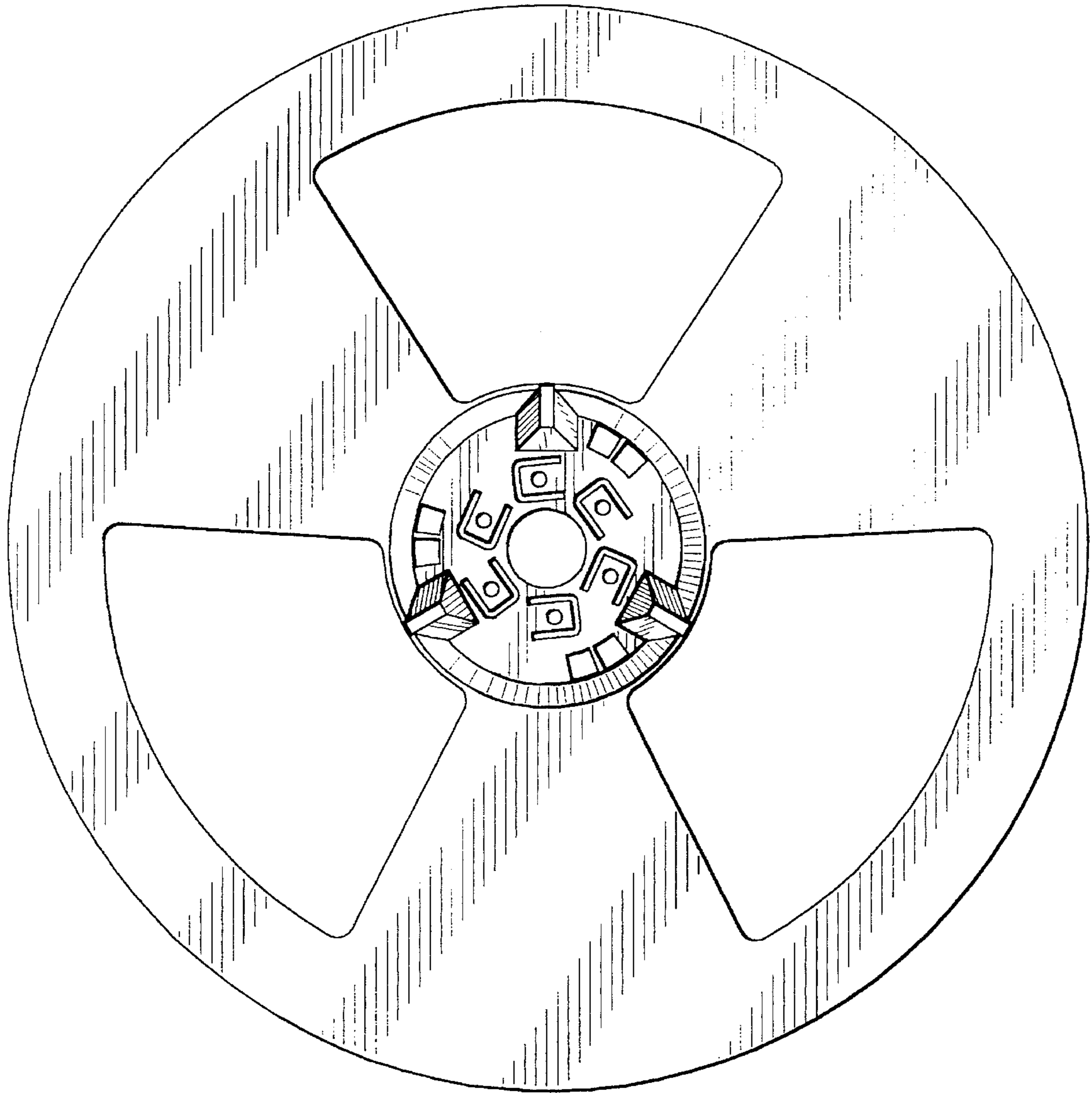


FIG. 4