



US00D370906S

United States Patent [19]

Bailey et al.

[11] Patent Number: **Des. 370,906**

[45] Date of Patent: ****Jun. 18, 1996**

[54] **WINDOW, LABEL AND REAR AREA OF A TOP SURFACE FOR A VIDEOCASSETTE**

[75] Inventors: **John A. Bailey**, Woodbury; **Glenn A. Bloomer**, Maplewood; **Gregory H. Johnson**, Oakdale, all of Minn.; **Donald J. Staufenberg**, Dublin, Ohio

[73] Assignee: **Minnesota Mining and Manufacturing Company**, St. Paul, Minn.

[**] Term: **14 Years**

[21] Appl. No.: **20,910**

[22] Filed: **Apr. 5, 1994**

[52] U.S. Cl. **D14/121**

[58] **Field of Search** D14/120-123, D14/299; 206/387.1, 387.12-387.15; 242/342-345, 345.1-345.3, 346, 346.2; 360/132

[56] **References Cited**

U.S. PATENT DOCUMENTS

D. 351,379 10/1994 Suzuki D14/121

D. 351,380	10/1994	Suzuki	D14/121
4,293,266	10/1981	St. Lawrence et al.	206/387.13
4,501,396	2/1985	Tomsyck et al.	242/199
4,754,357	6/1988	Nelson	360/132
4,771,886	9/1988	Johnson	206/387.13
4,850,547	7/1989	Uemura	242/347

Primary Examiner—Ted Shooman
Assistant Examiner—Nanda Bondade
Attorney, Agent, or Firm—Gary L. Griswold; Walter N. Kim; Charles D. Levine

[57] **CLAIM**

The ornamental design for a window, label and rear area of a top surface for a videocassette, as shown and described.

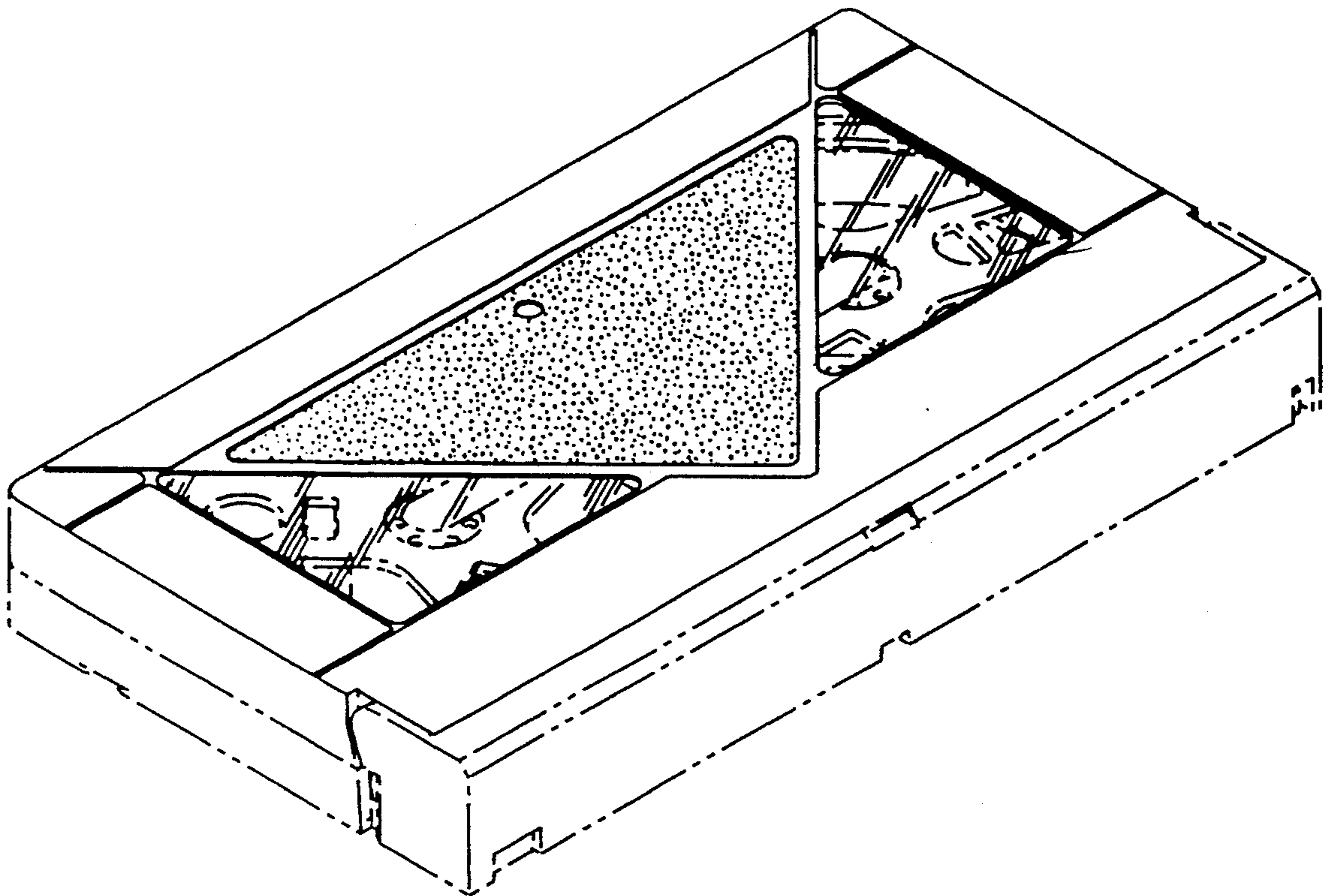
DESCRIPTION

FIG. 1 is a perspective view of a window, label and rear area of a top surface for a videocassette showing our new design; and,

FIG. 2 is a top plan view thereof.

The broken line showing of the videocassette and tape reel is for illustrative purposes only and forms no part of the claimed design.

1 Claim, 1 Drawing Sheet



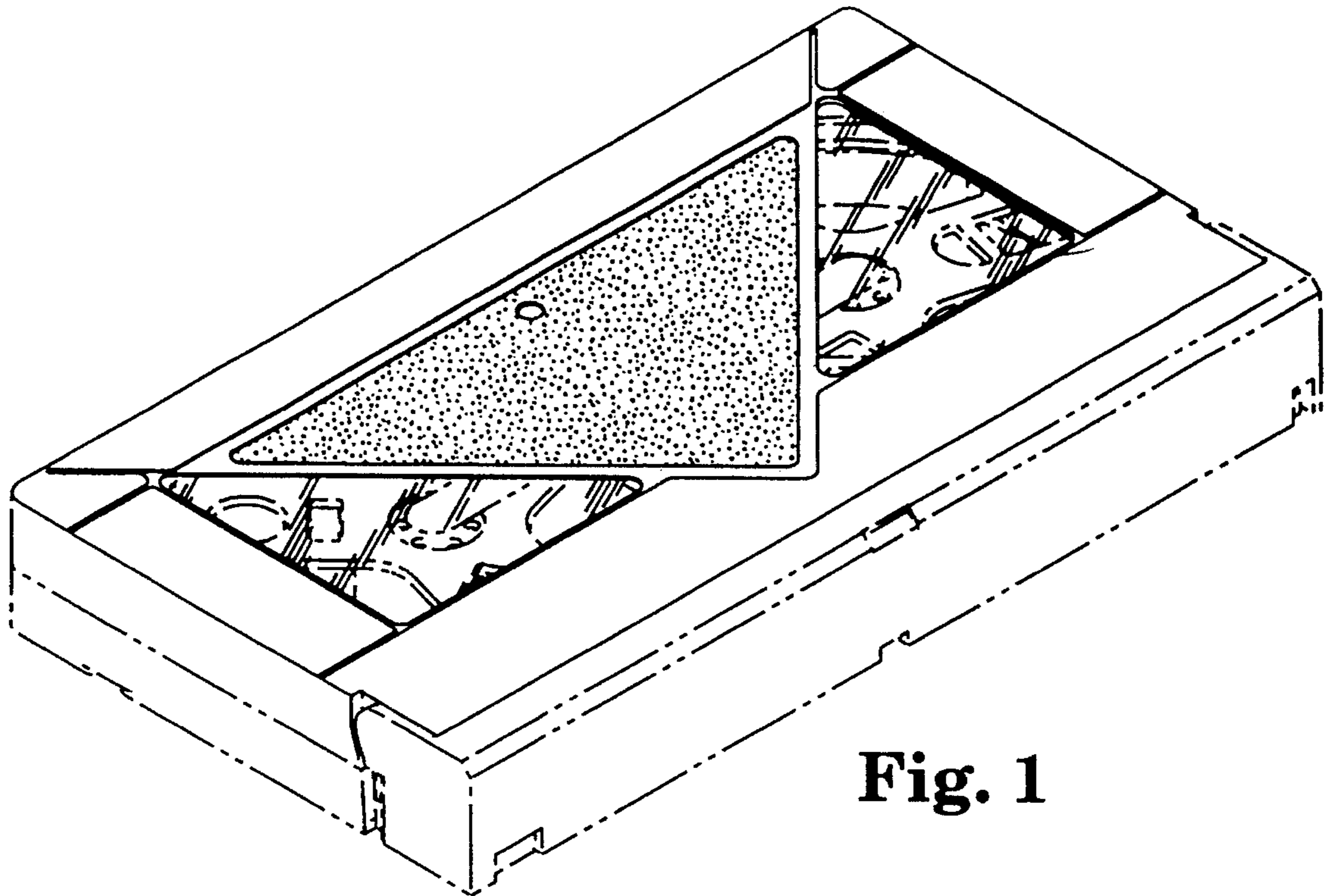


Fig. 1

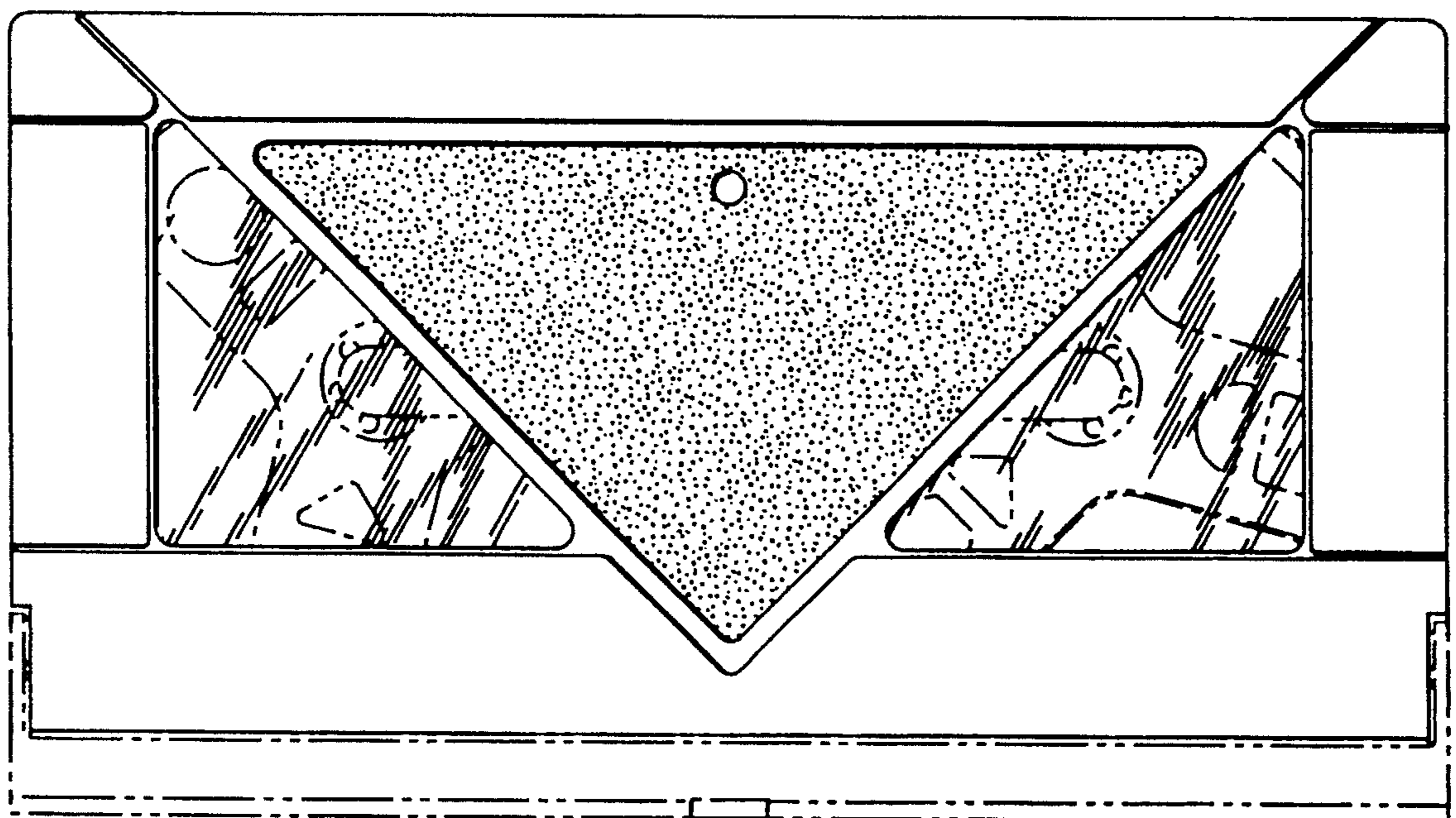


Fig. 2