



US00D370902S

# United States Patent [19]

Reiter

[11] Patent Number: **Des. 370,902**

[45] Date of Patent: **\*\*Jun. 18, 1996**

[54] **FRONT BEZEL FOR AN UPRIGHT PERSONAL COMPUTER**

[75] Inventor: **Victor R. Reiter**, Huntington Beach, Calif.

[73] Assignee: **AST Research, Inc.**, Irvine, Calif.

[\*\*] Term: **14 Years**

[21] Appl. No.: **40,915**

[22] Filed: **Jun. 22, 1995**

[52] U.S. Cl. .... **D14/115**

[58] **Field of Search** ..... D14/100, 102, D14/107-109, 115, 257, 258; D13/162, 184, 199, 164, 177; D10/103; 312/223.2; 358/249, 254; 361/600, 622, 724-728

[56] **References Cited**

**U.S. PATENT DOCUMENTS**

D. 350,739	9/1994	Chu	.....	D14/115
D. 358,384	5/1995	Goodner	.....	D14/115
D. 361,327	8/1995	Yang	.....	D14/115
D. 363,478	10/1995	Tinsley, Jr. et al.	.....	D14/115

*Primary Examiner*—Freda Nunn  
*Attorney, Agent, or Firm*—Knobbe, Martens, Olson & Bear

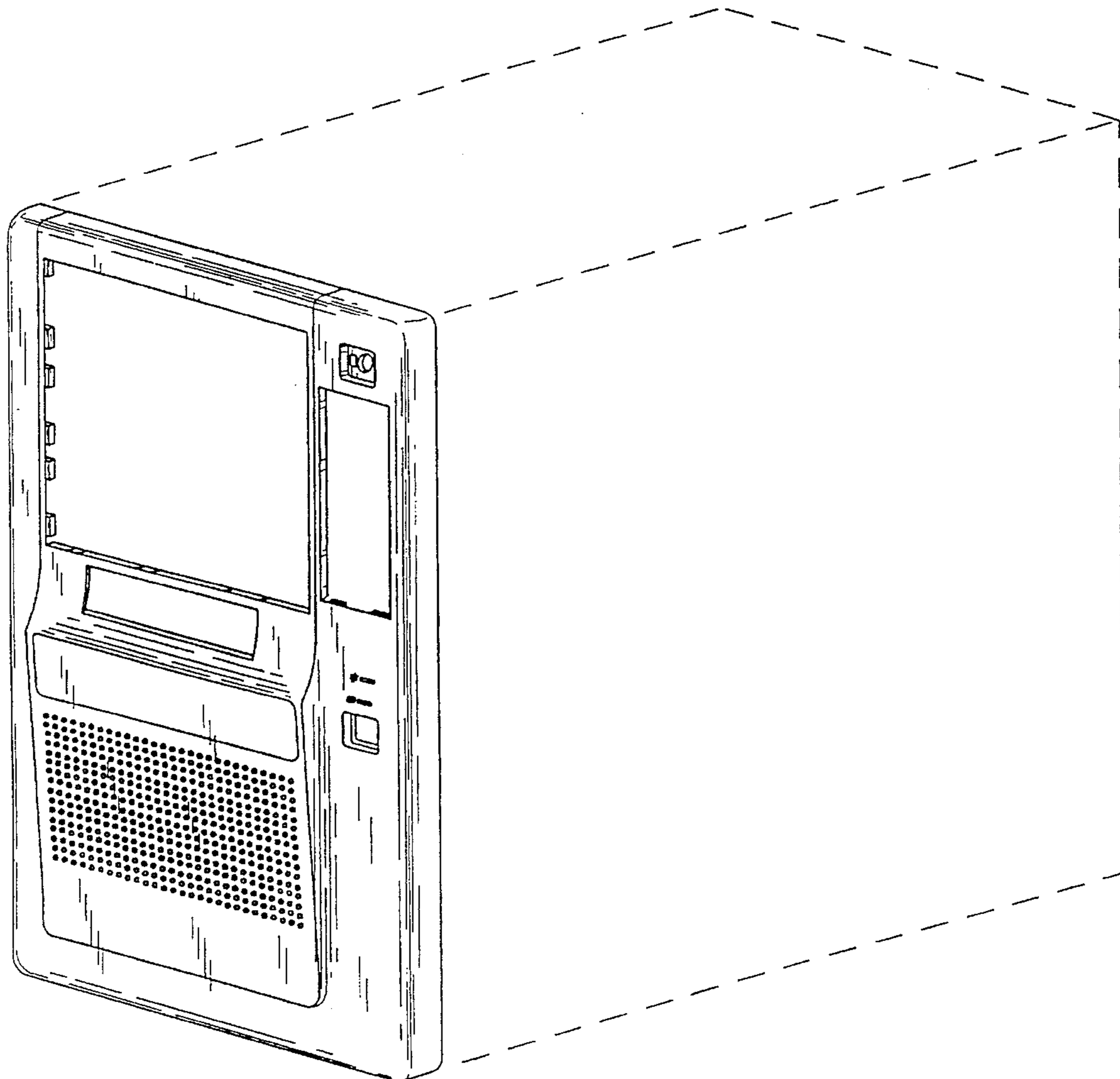
[57] **CLAIM**

The ornamental design for a front bezel for an upright personal computer, as shown and described.

**DESCRIPTION**

FIG. 1 is a front elevational view of a front bezel for an upright personal computer showing my new design; FIG. 2 is a rear elevational view of the bezel of FIG. 1; FIG. 3 is a top plan view of the bezel of FIG. 1 showing an attached upright personal computer in phantom; FIG. 4 is a bottom plan view of the bezel of FIG. 1; FIG. 5 is a left-side elevational view of the bezel of FIG. 1; FIG. 6 is a right-side elevational view of the bezel of FIG. 1 showing an attached upright personal computer in phantom; and, FIG. 7 is a front perspective view of the bezel of FIG. 1 showing an attached upright personal computer in phantom. The computer is shown in broken lines in FIGS. 3, 6, and 7 for illustrative purposes only and forms no part of the claimed design.

**1 Claim, 4 Drawing Sheets**



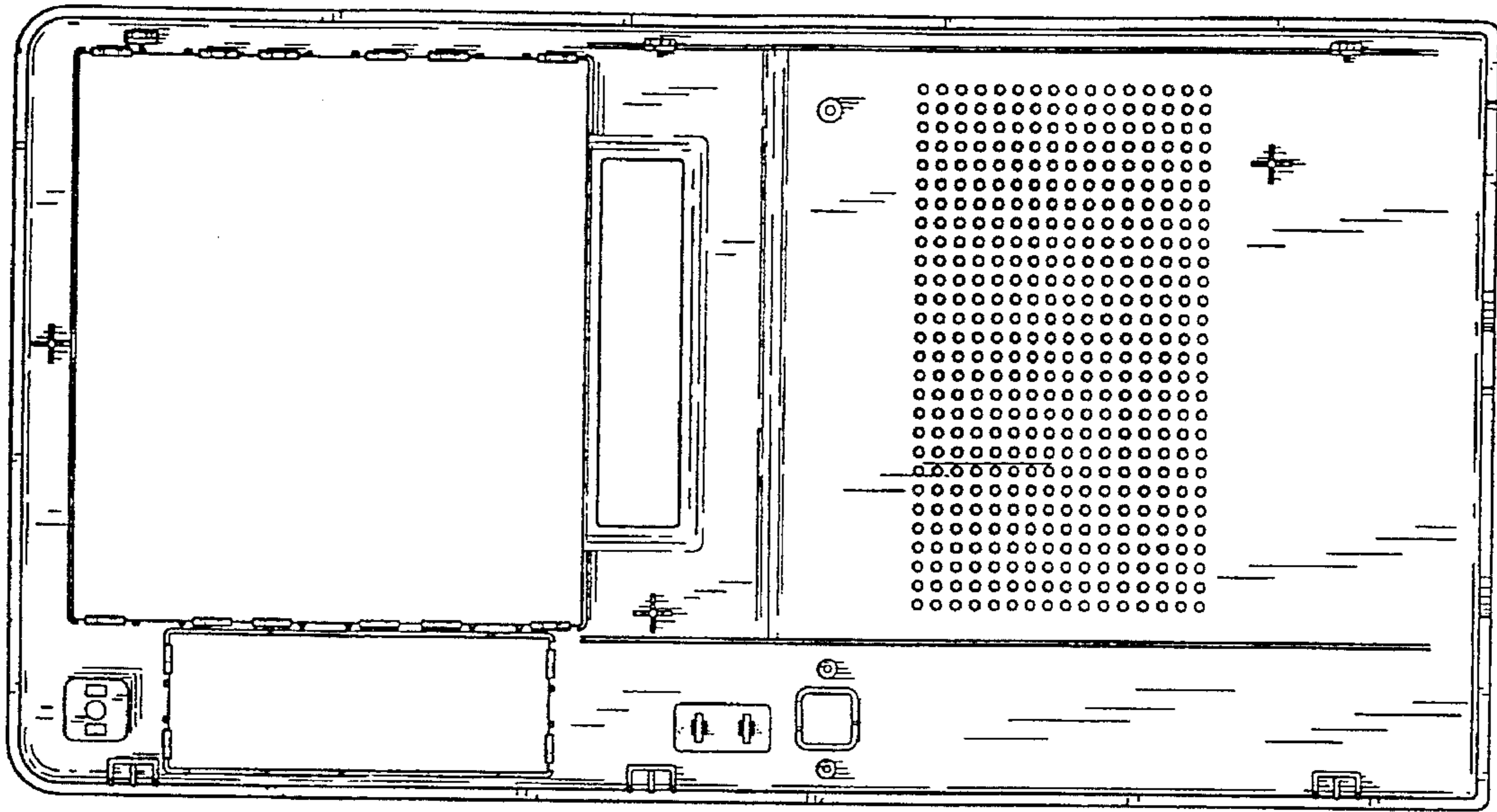


FIG. 2

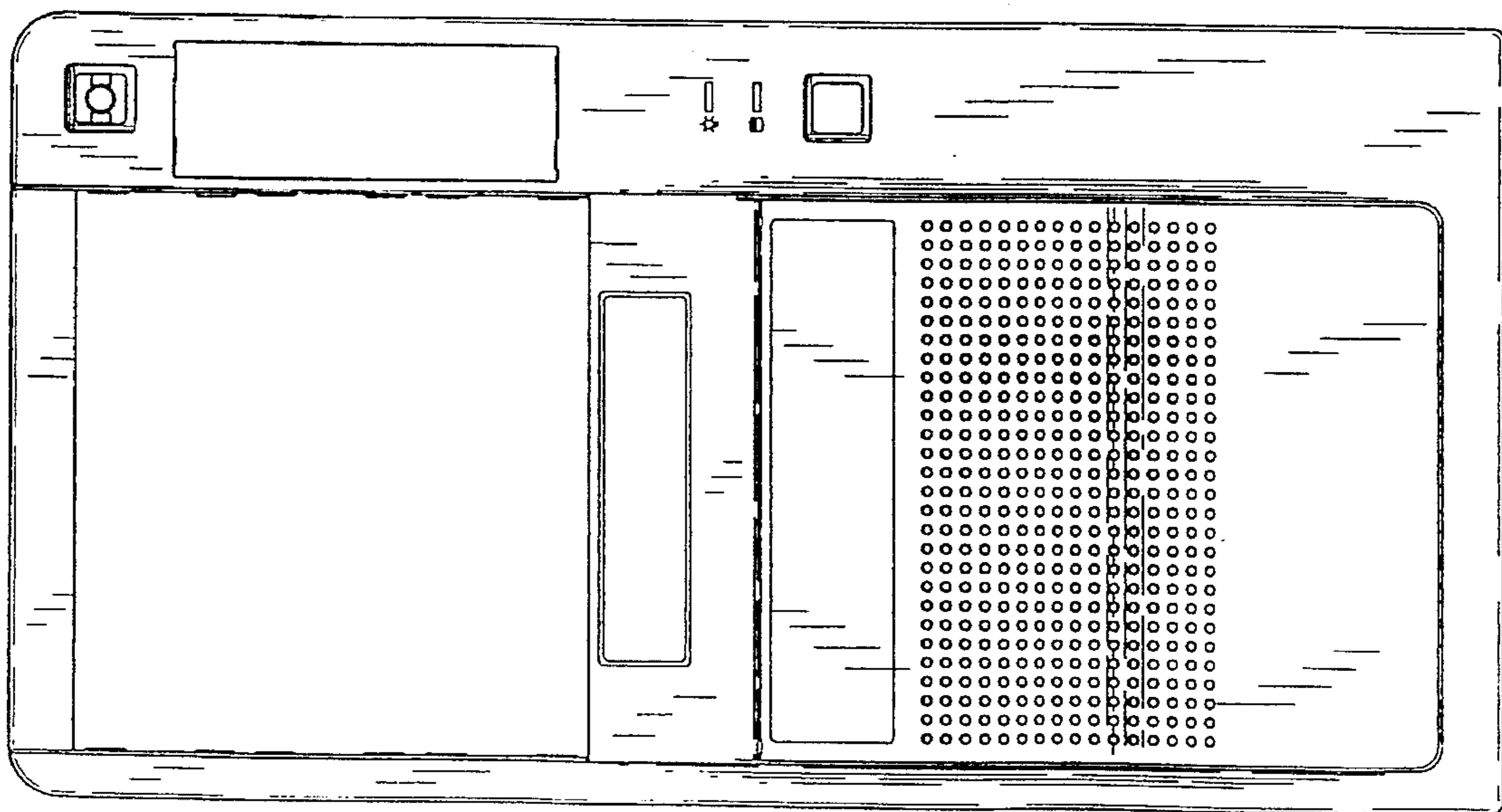


FIG. 1

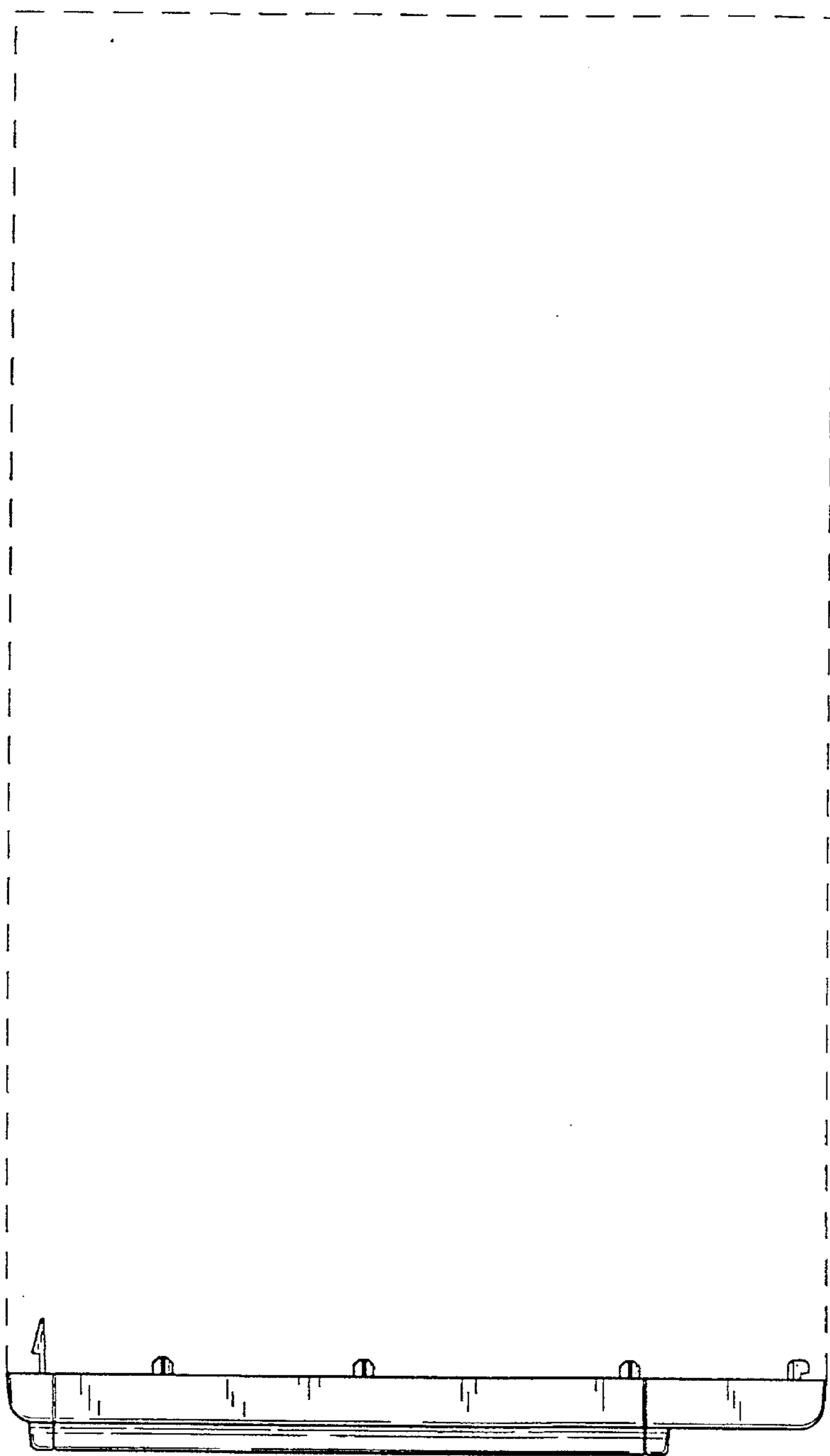


FIG. 3

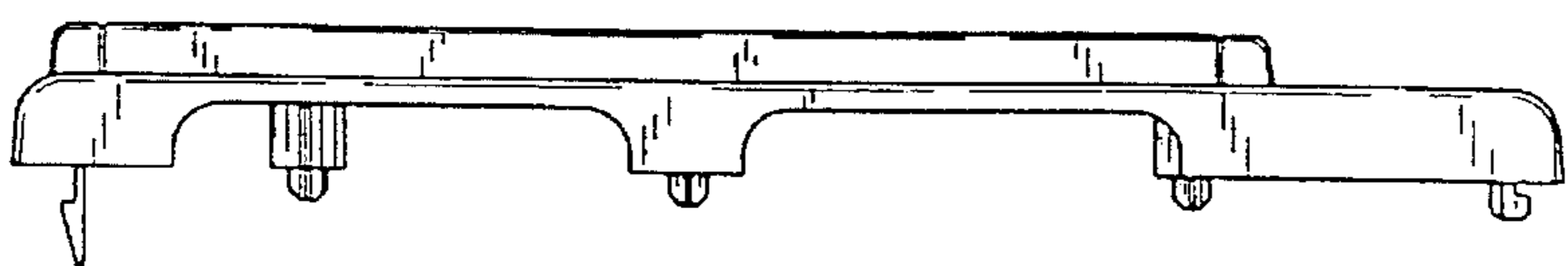


FIG. 4

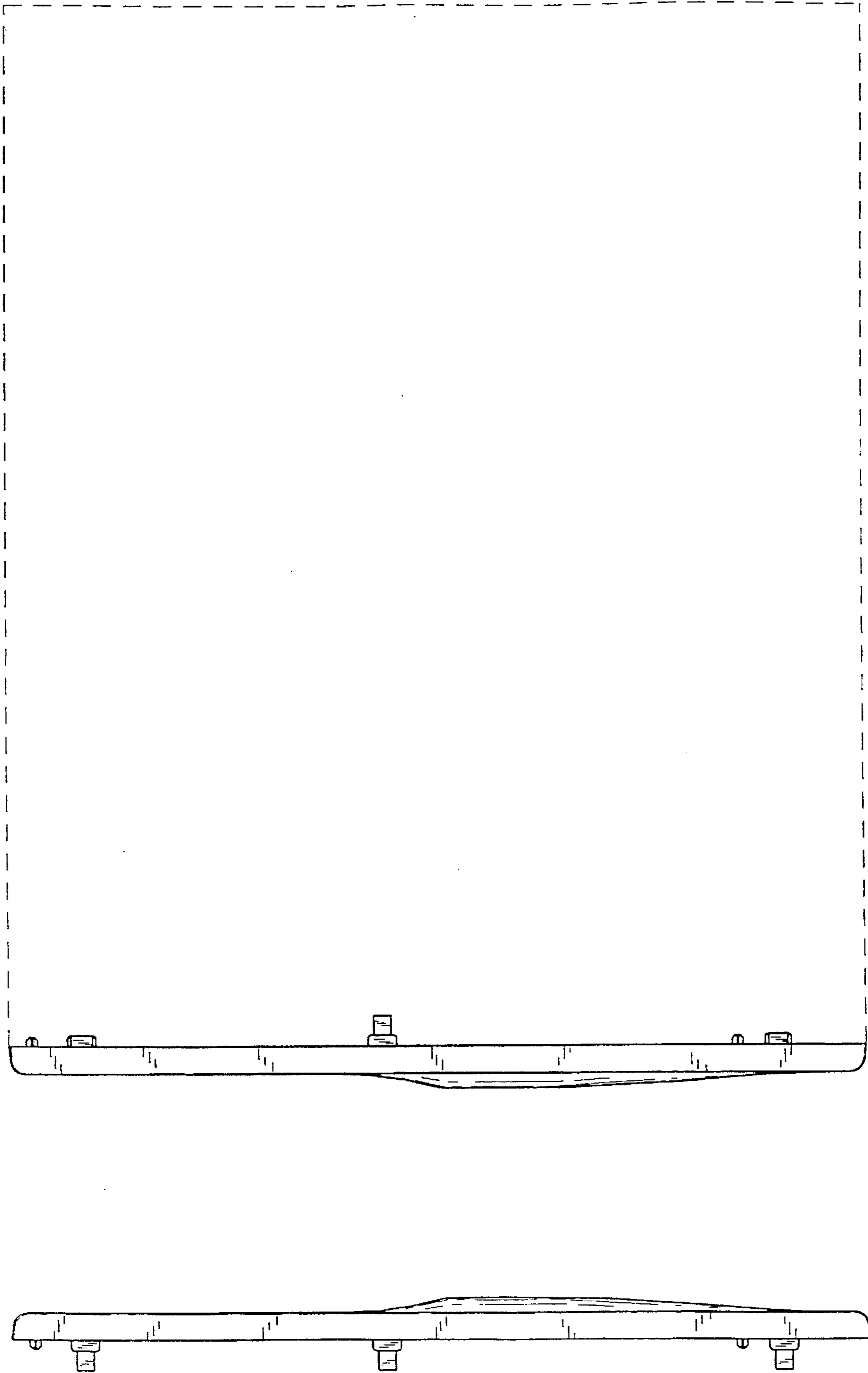


FIG. 5  
FIG. 6

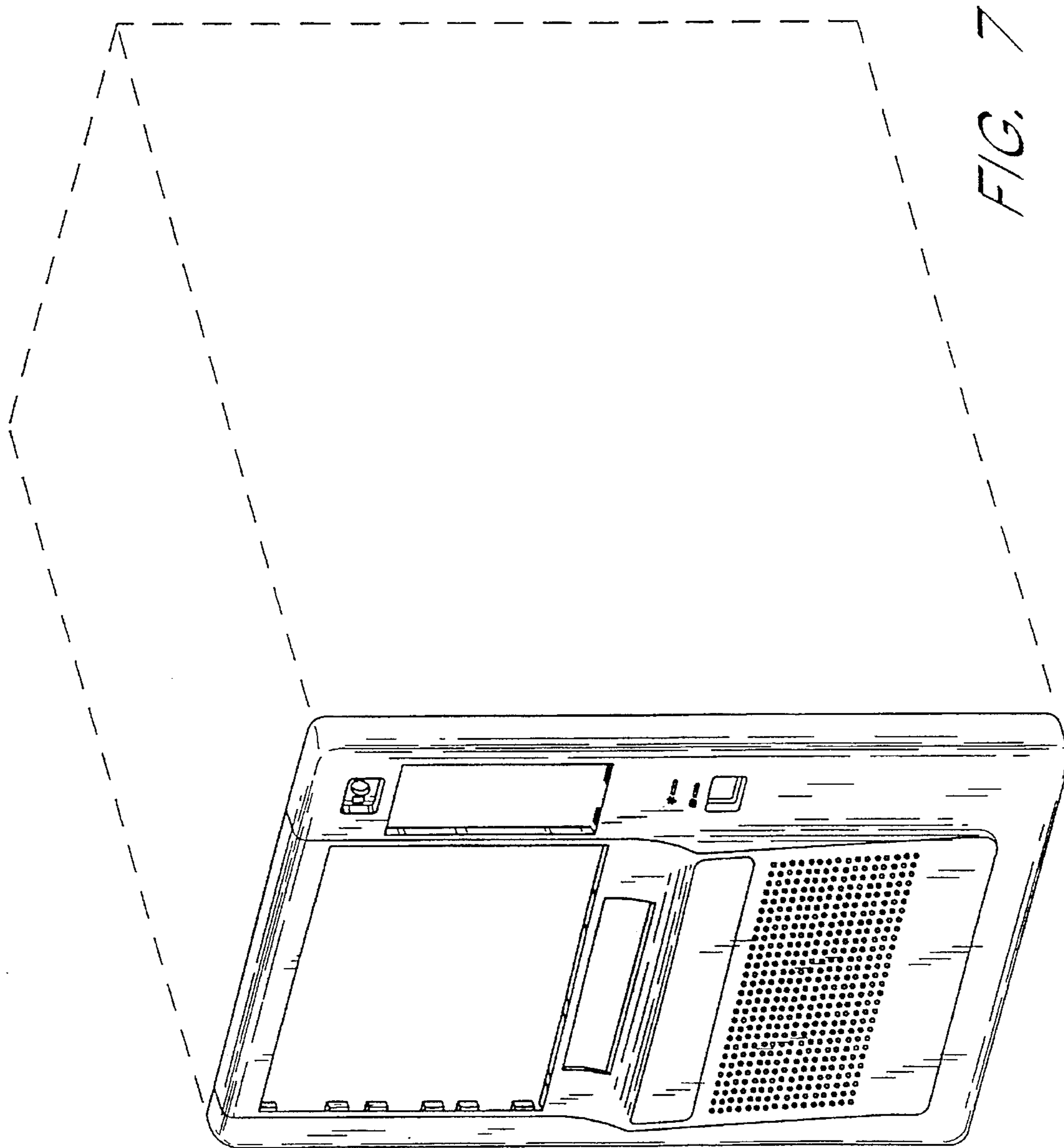


FIG. 7