



US00D370897S

United States Patent [19]

[11] Patent Number: **Des. 370,897**

Lin

[45] Date of Patent: ****Jun. 18, 1996**

[54] **MONITOR**

D. 310,829	9/1990	Suyama et al.	D14/113
D. 346,371	4/1994	Oh et al.	D14/113
D. 350,341	9/1994	Landry	D14/113
D. 352,940	11/1994	Kazama	D14/126

[75] Inventor: **Sam Lin**, Taoyuan, Taiwan

[73] Assignee: **Delta Electronics, Inc.**, Taoyuan, Taiwan

Primary Examiner—Freda Nunn

[**] Term: **14 Years**

[57] CLAIM

[21] Appl. No.: **42,794**

The ornamental design for a monitor, as shown and described.

[22] Filed: **Aug. 17, 1995**

DESCRIPTION

[52] U.S. Cl. **D14/113**

[58] Field of Search D14/100, 101, D14/106, 113, 124-129; 345/104, 133, 156, 168, 173, 87, 901-905; 358/249, 254, 255

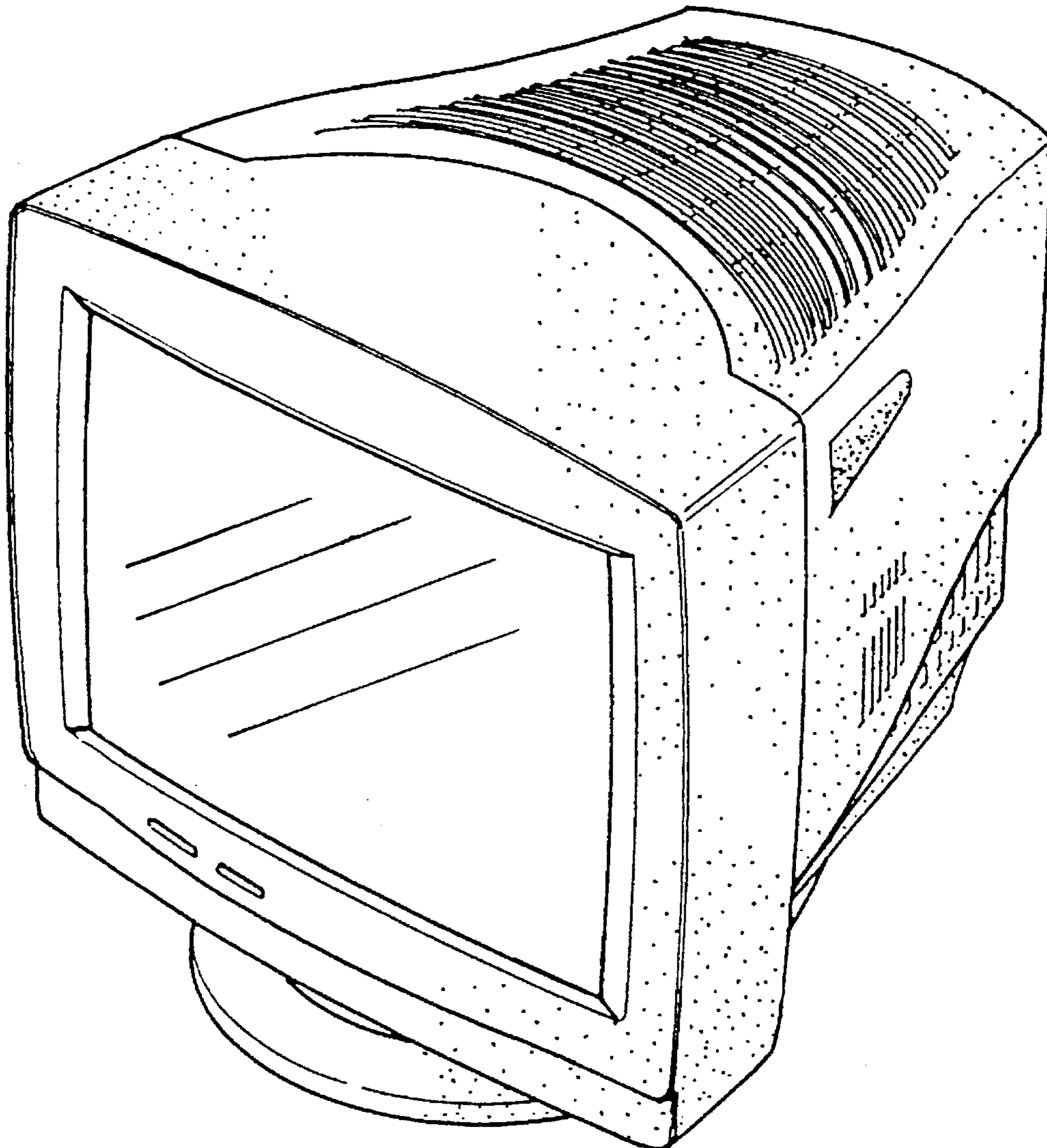
FIG. 1 is a top front and left side perspective view of a monitor showing my new design; FIG. 2 is a front elevational view thereof; FIG. 3 is a rear elevational view thereof; FIG. 4 is a top plan view thereof; FIG. 5 is a bottom plan view thereof; FIG. 6 is a left side elevational view thereof; and, FIG. 7 is a right side elevational view thereof.

[56] References Cited

U.S. PATENT DOCUMENTS

D. 305,755 1/1990 Suyama et al. D14/113

1 Claim, 4 Drawing Sheets



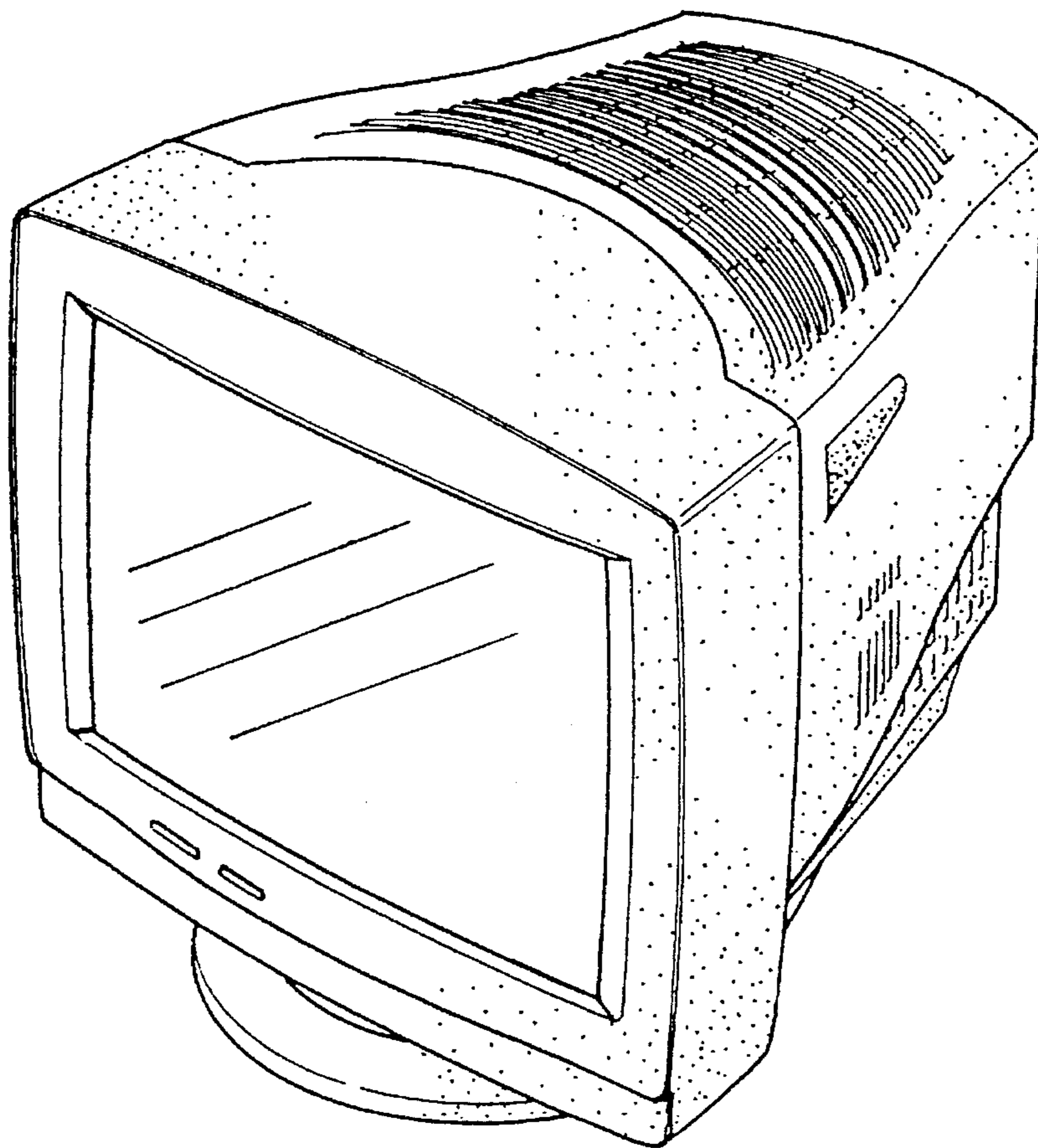


FIG. 1

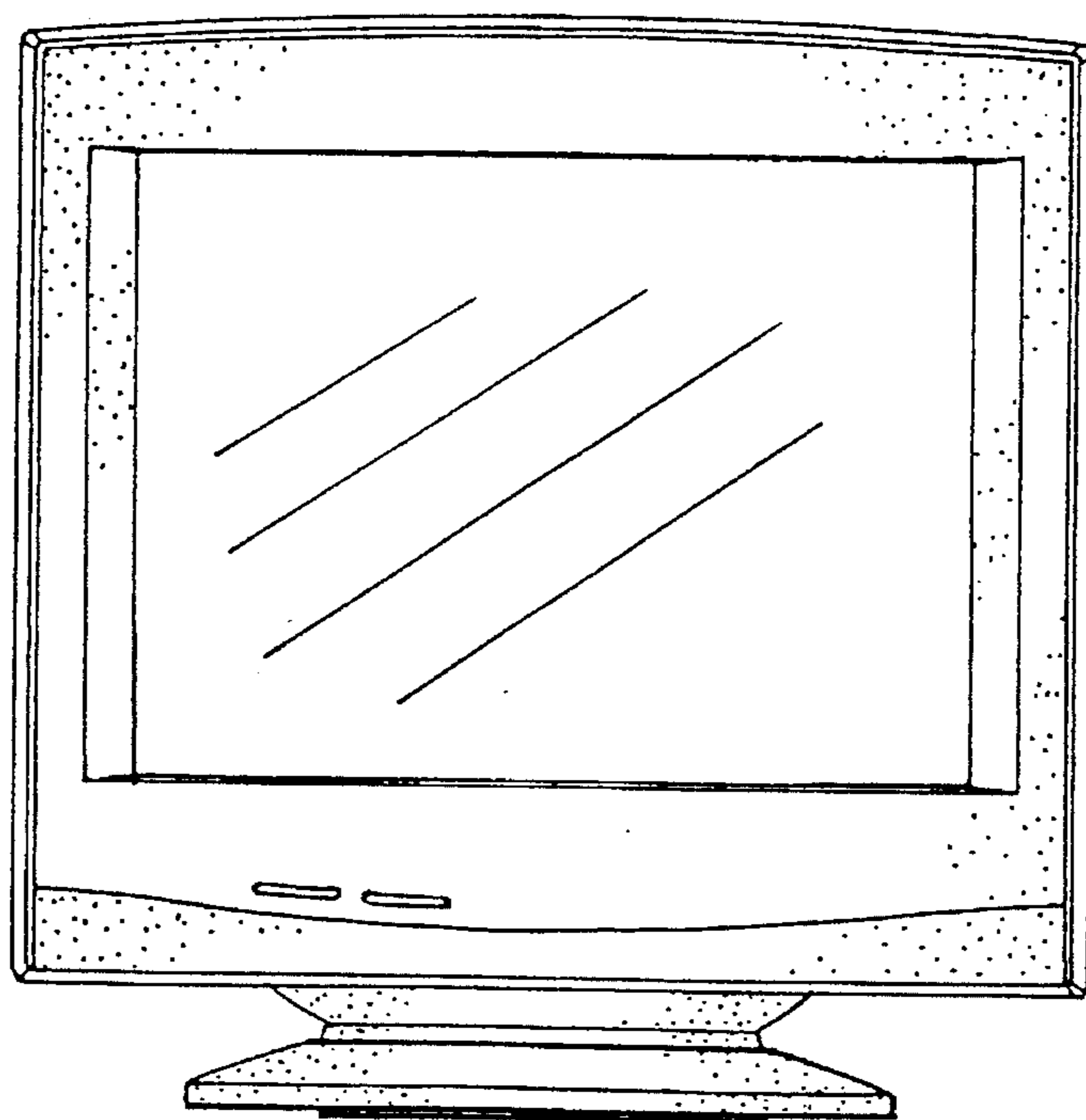


FIG. 2

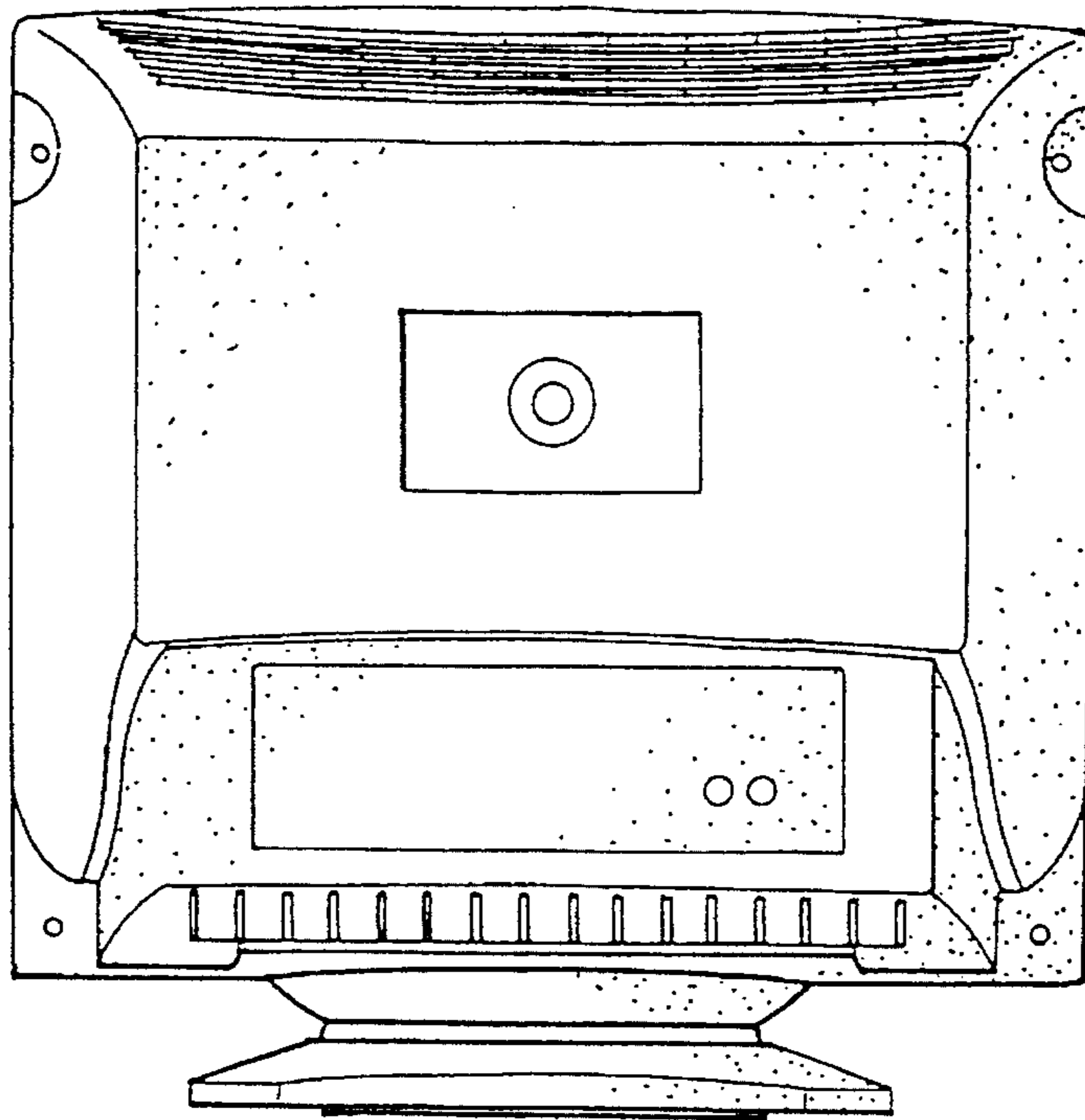


FIG. 3

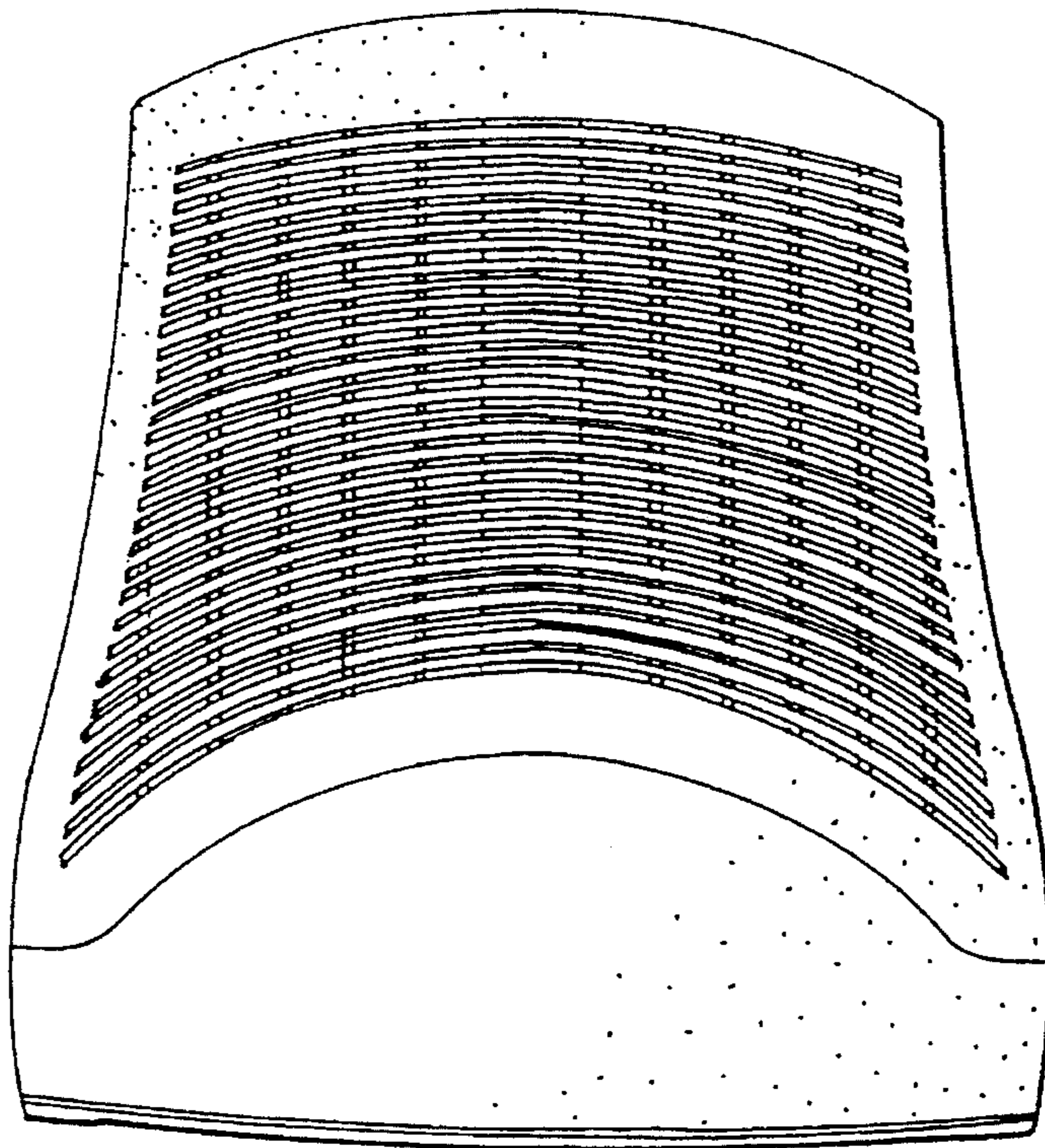


FIG. 4

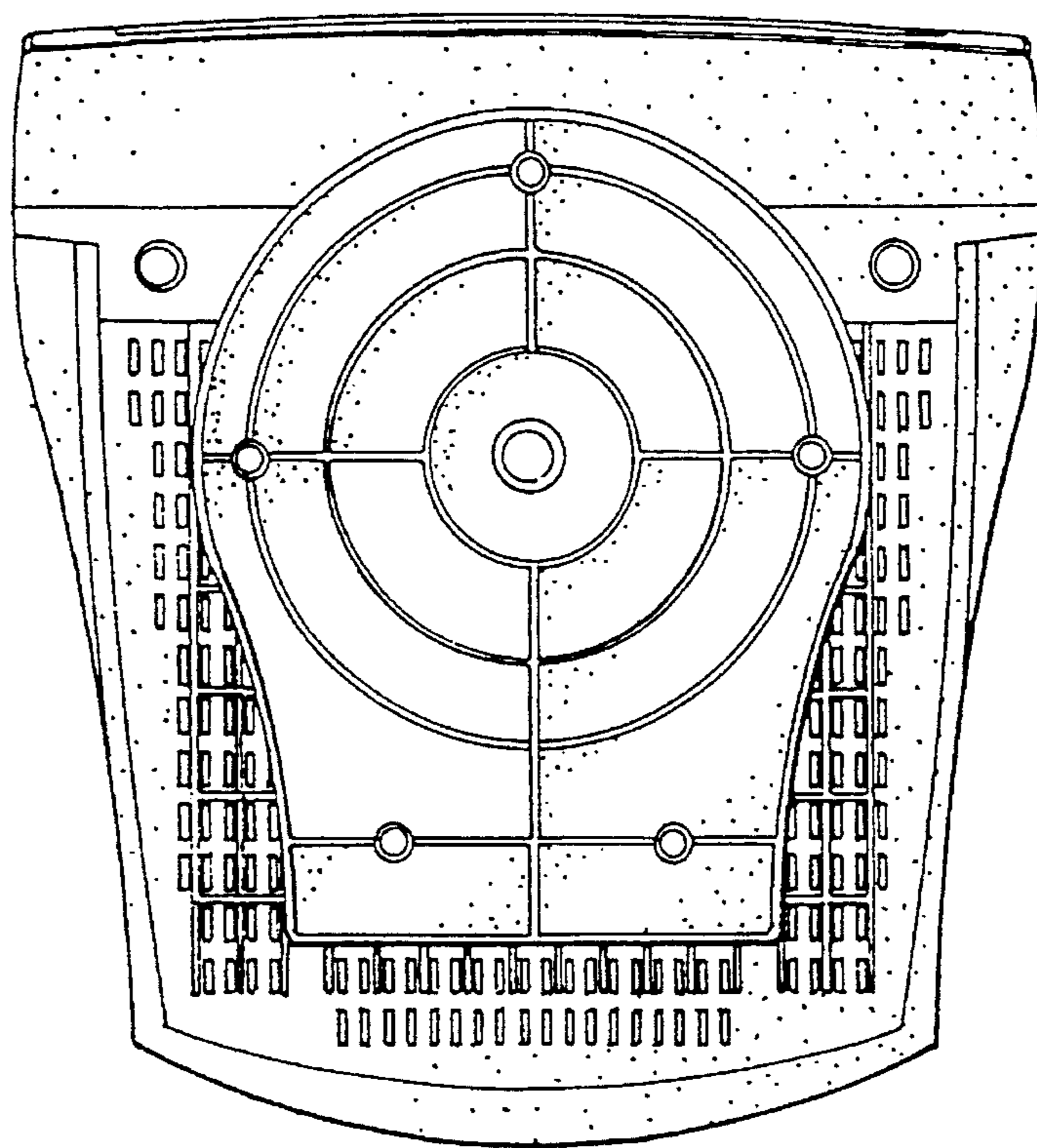


FIG. 5

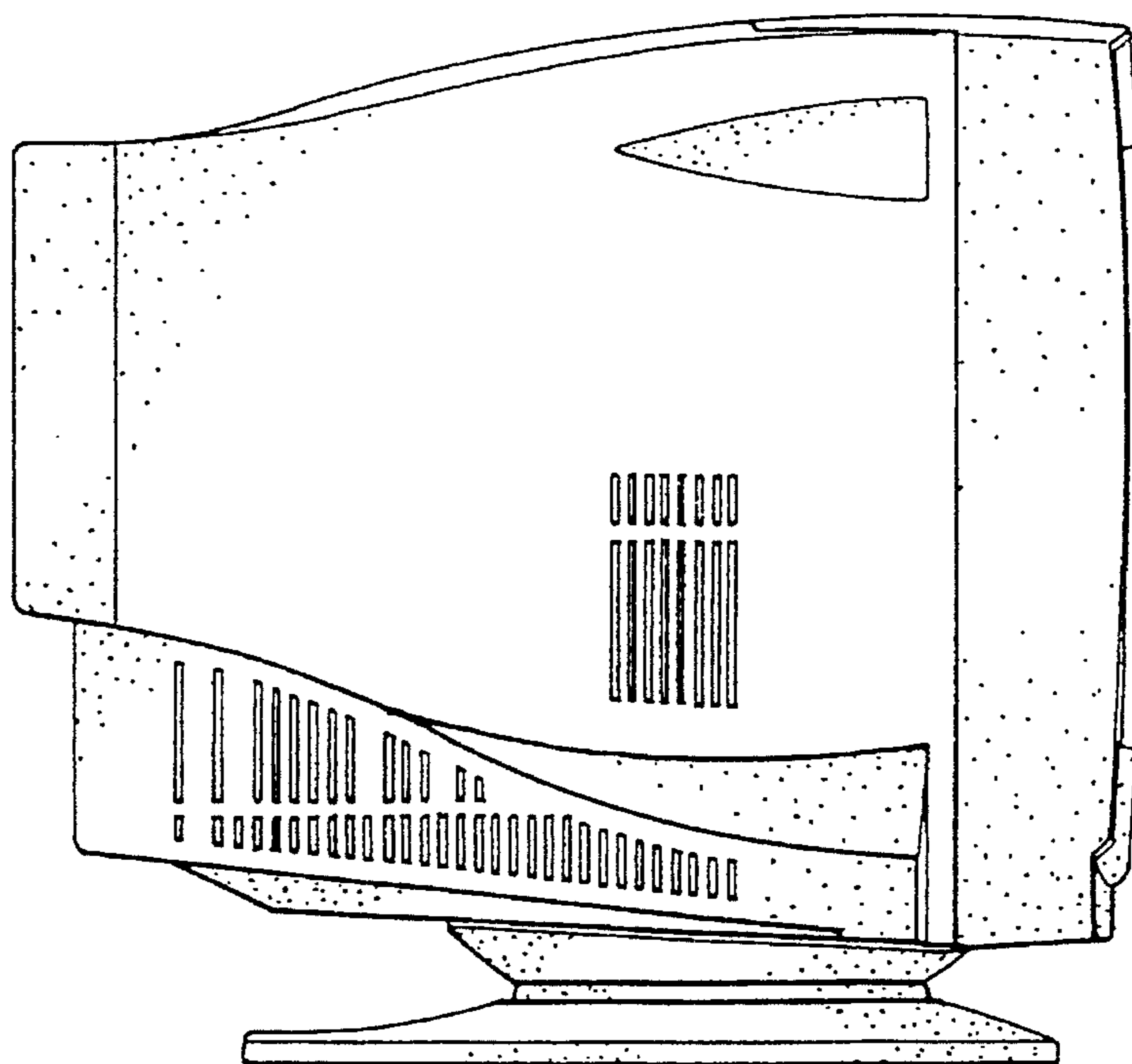


FIG. 6

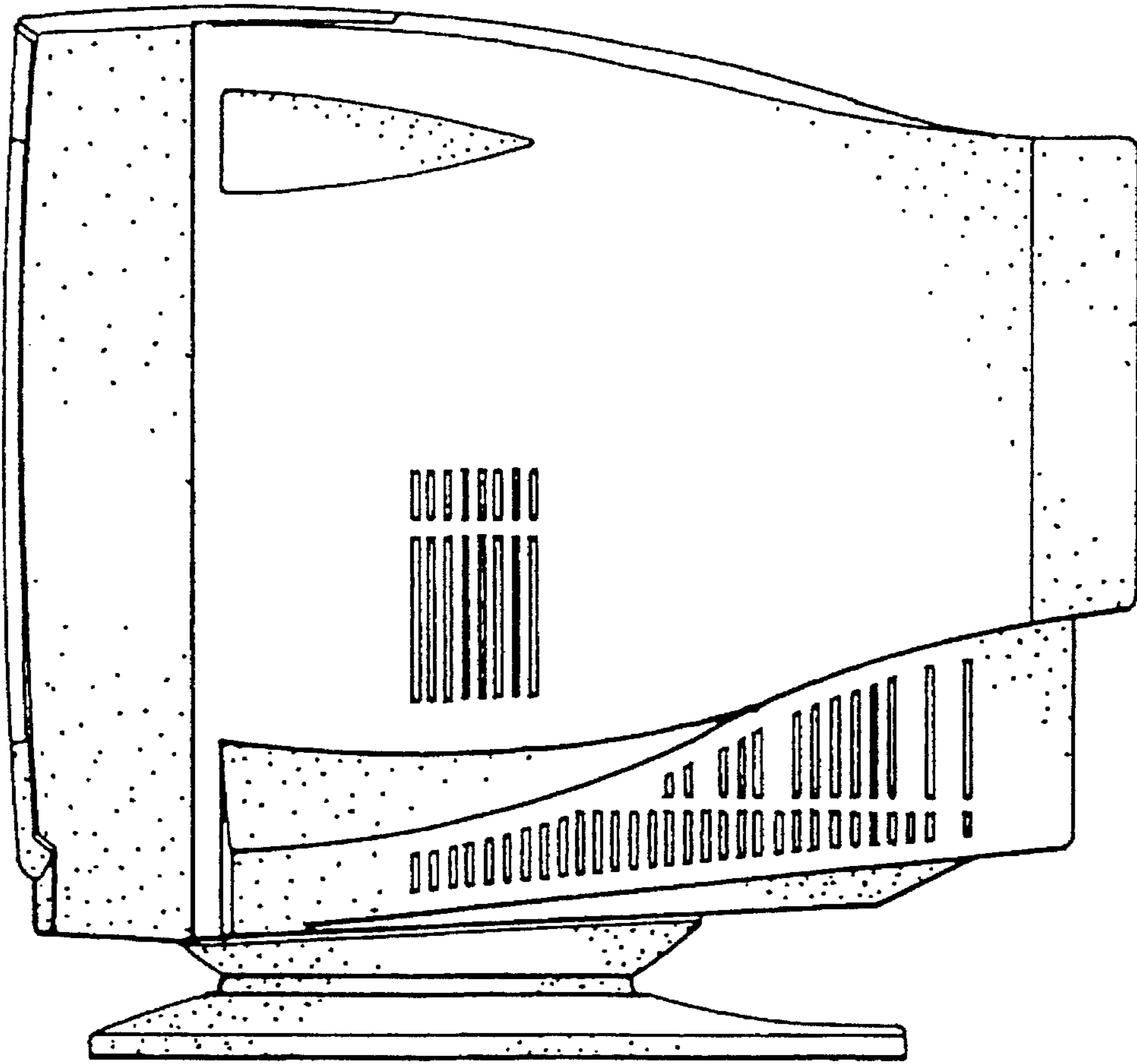


FIG. 7