



US00D370895S

United States Patent [19]

[11] Patent Number: **Des. 370,895**

Ito et al.

[45] Date of Patent: ****Jun. 18, 1996**

[54] **DISK DRIVE UNIT**

4,779,257	10/1988	Matsumoto	369/75.2
4,815,065	3/1989	Rouws	369/77.2
5,105,414	4/1992	Funabashi et al.	D14/109 X

[75] Inventors: **Masafumi Ito; Shigeru Hasegawa; Katsuhiko Takashima**, all of Musahino, Japan

OTHER PUBLICATIONS

[73] Assignee: **TEAC Corporation**, Tokyo, Japan

Tiger Software 1995 pp. 2 and 11 CD ROM Units (top of both pages).
CD-300F made by ICM-1994.

[**] Term: **14 Years**

Primary Examiner—Freda Nunn
Attorney, Agent, or Firm—Michael N. Meller

[21] Appl. No.: **39,924**

[57] CLAIM

[22] Filed: **Jun. 7, 1995**

The ornamental design for a disk drive unit, as shown and described.

[30] Foreign Application Priority Data

DESCRIPTION

Dec. 9, 1994 [JP] Japan 6-37745

[52] U.S. Cl. **D14/109**

[58] Field of Search D14/100, 102, D14/107-109; D13/162, 184, 199; 312/208.1; 360/97.01, 97.04, 98.01, 99.01, 99.12; 361/600, 622, 724-728, 694; 369/75.2, 77.1, 77.2

FIG. 1 is a perspective view of a disk drive unit showing our new design in a state where a disk tray is drawn out; FIG. 2 is a front view thereof; FIG. 3 is a rear view thereof; FIG. 4 is a right side view thereof, the left side view being a mirror image of the right side; FIG. 5 is a top view thereof; and, FIG. 6 is a bottom view thereof.

[56] References Cited

U.S. PATENT DOCUMENTS

D. 308,361	6/1990	Nakamura et al.	D14/109
D. 357,467	4/1995	Sakai et al.	D14/109

1 Claim, 3 Drawing Sheets

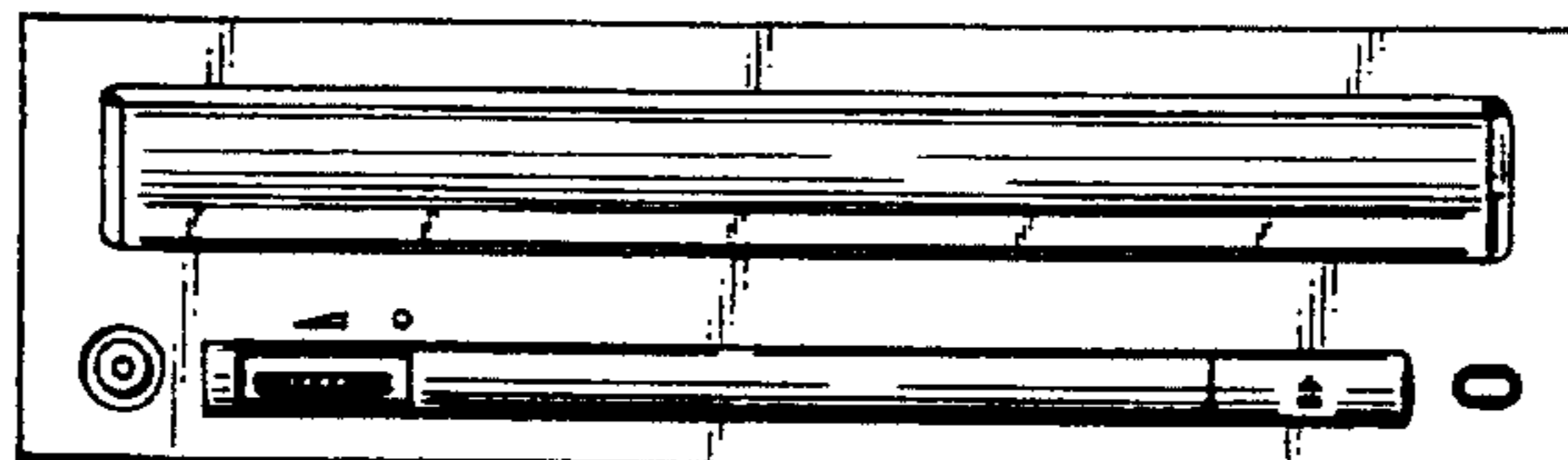
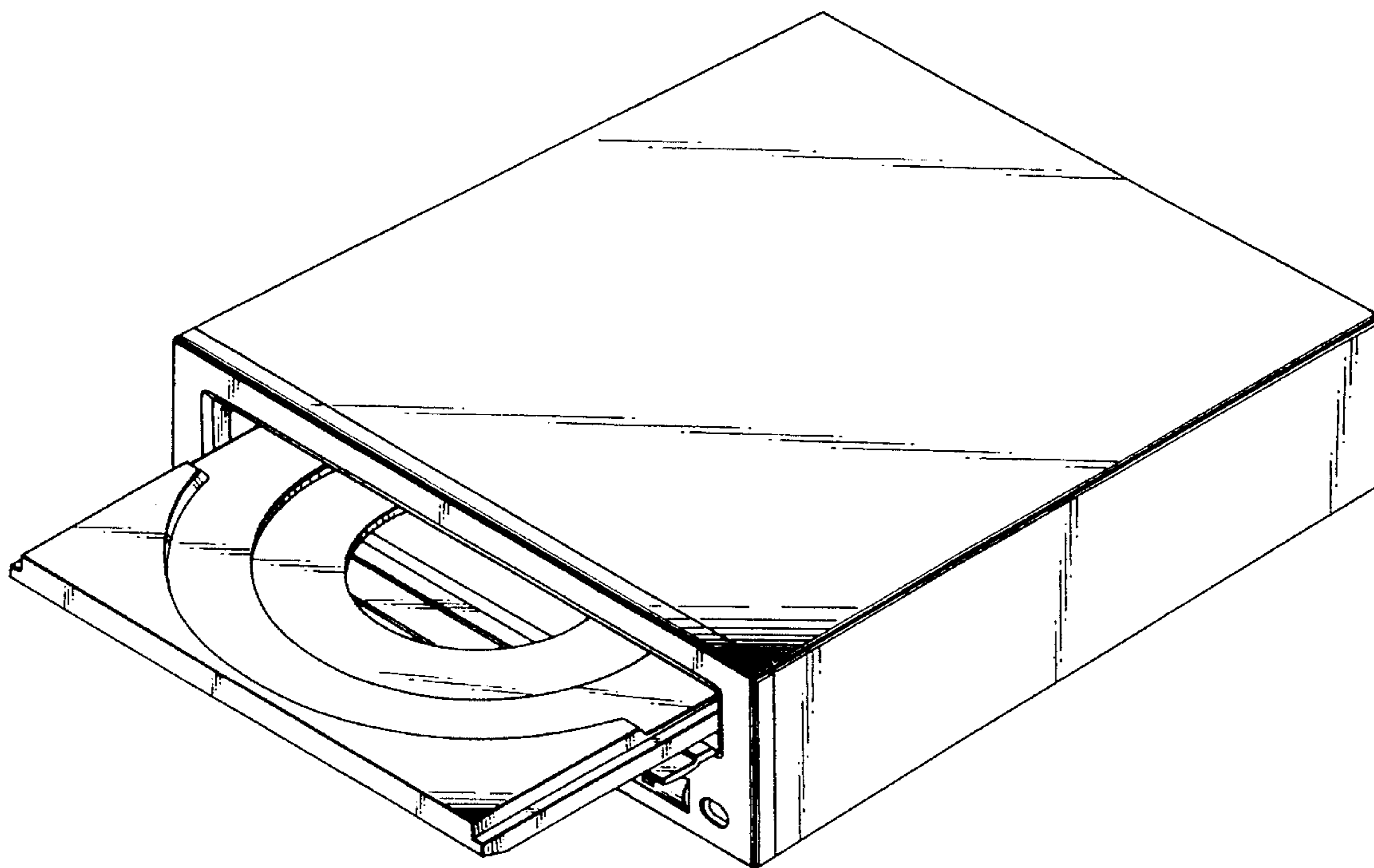


FIG. 1

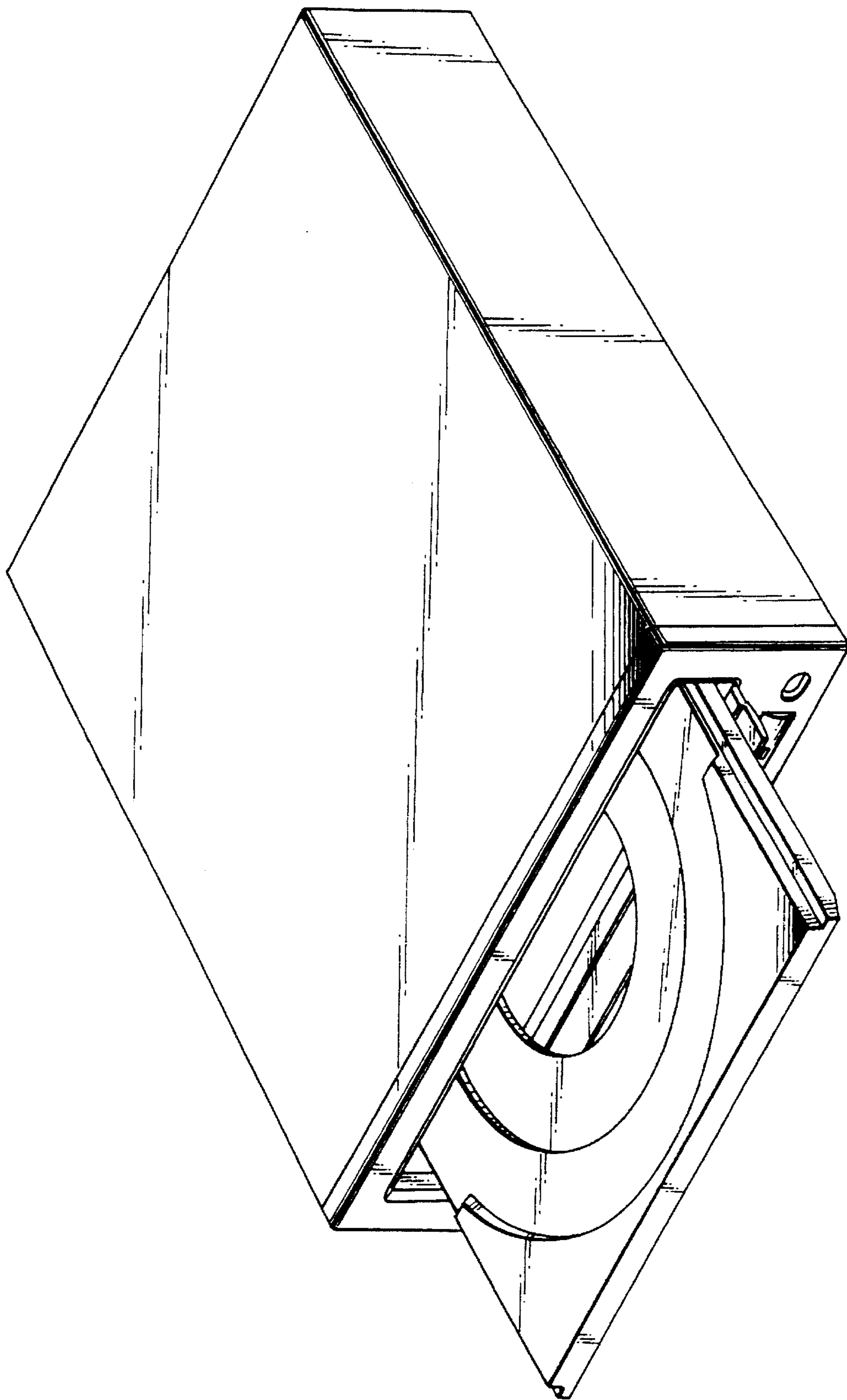


FIG. 2

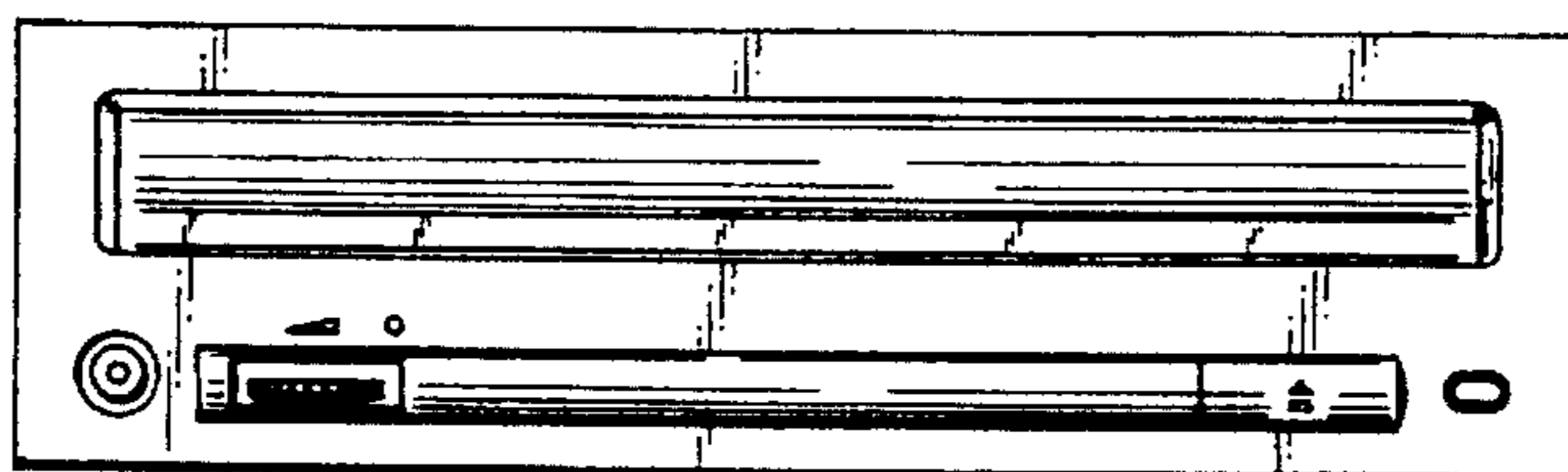


FIG. 3

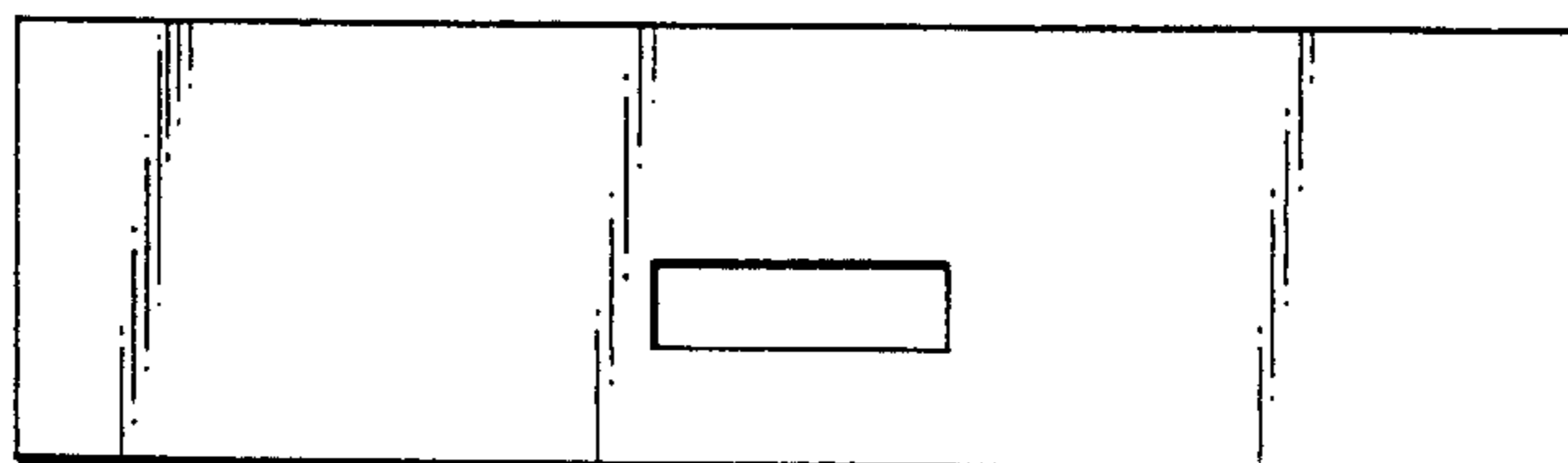


FIG. 4

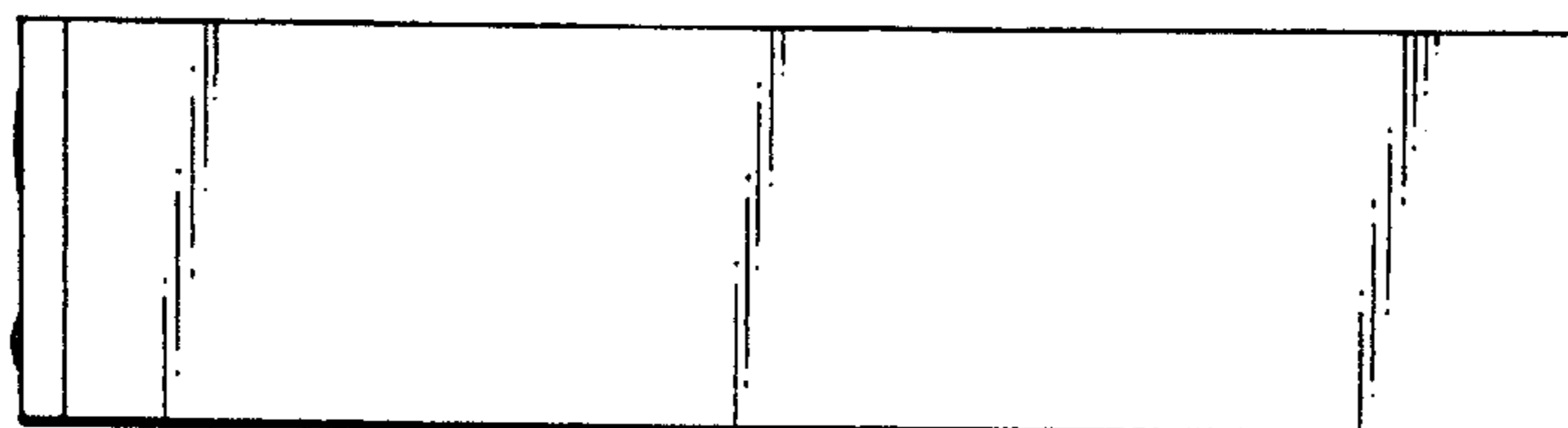


FIG. 5

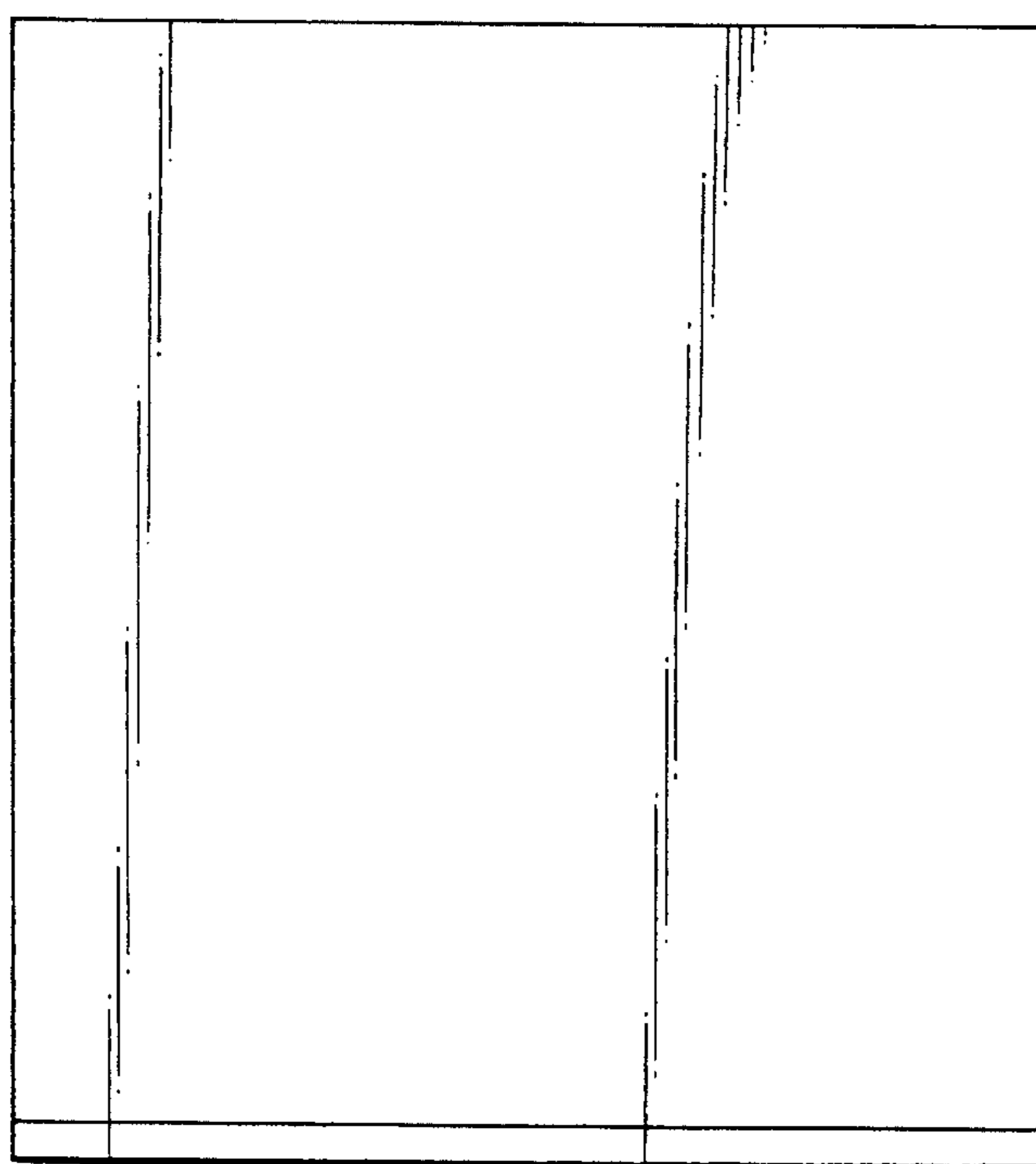


FIG. 6

