



US00D370893S

# United States Patent [19]

Chen et al.

[11] Patent Number: **Des. 370,893**

[45] Date of Patent: **\*\*Jun. 18, 1996**

[54] **IMAGE SCANNER**

D. 350,733 9/1994 Masujima ..... D14/107

[75] Inventors: **Tony Chen; Thomas Chang**, both of Hsinchu, Taiwan

*Primary Examiner*—Freda Nunn

*Attorney, Agent, or Firm*—Shoemaker and Mattare, Ltd.

[73] Assignee: **Umax Data System Inc.**, Taiwan

[57] **CLAIM**

[\*\*] Term: **14 Years**

The ornamental design for an image scanner, as shown and described.

[21] Appl. No.: **38,441**

**DESCRIPTION**

[22] Filed: **May 5, 1995**

[52] **U.S. Cl.** ..... **D14/107**

[58] **Field of Search** ..... D14/100, 105, D14/107, 118; D18/36, 37, 39; 250/556, 563; 235/454, 462; 348/373-376; 358/408, 472, 474, 497; 355/64, 65, 75, 231, 233

FIG. 1 is a left side view of an image scanner showing our new design;

FIG. 2 is a rightside view;

FIG. 3 is a rear elevational view;

FIG. 4 is a front elevational view;

FIG. 5 is a top view;

FIG. 6 is a bottom view;

FIG. 7 is a perspective view; and,

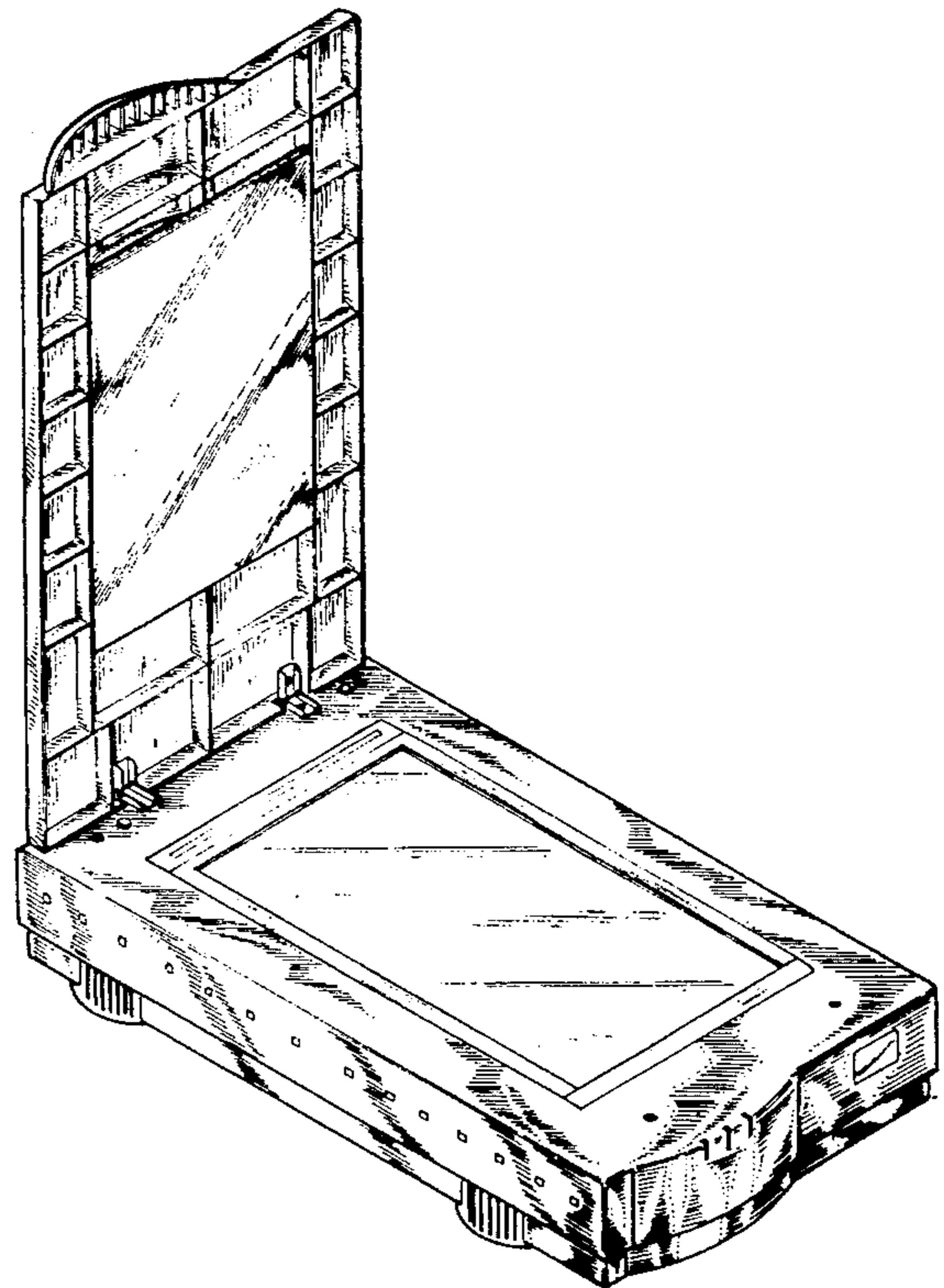
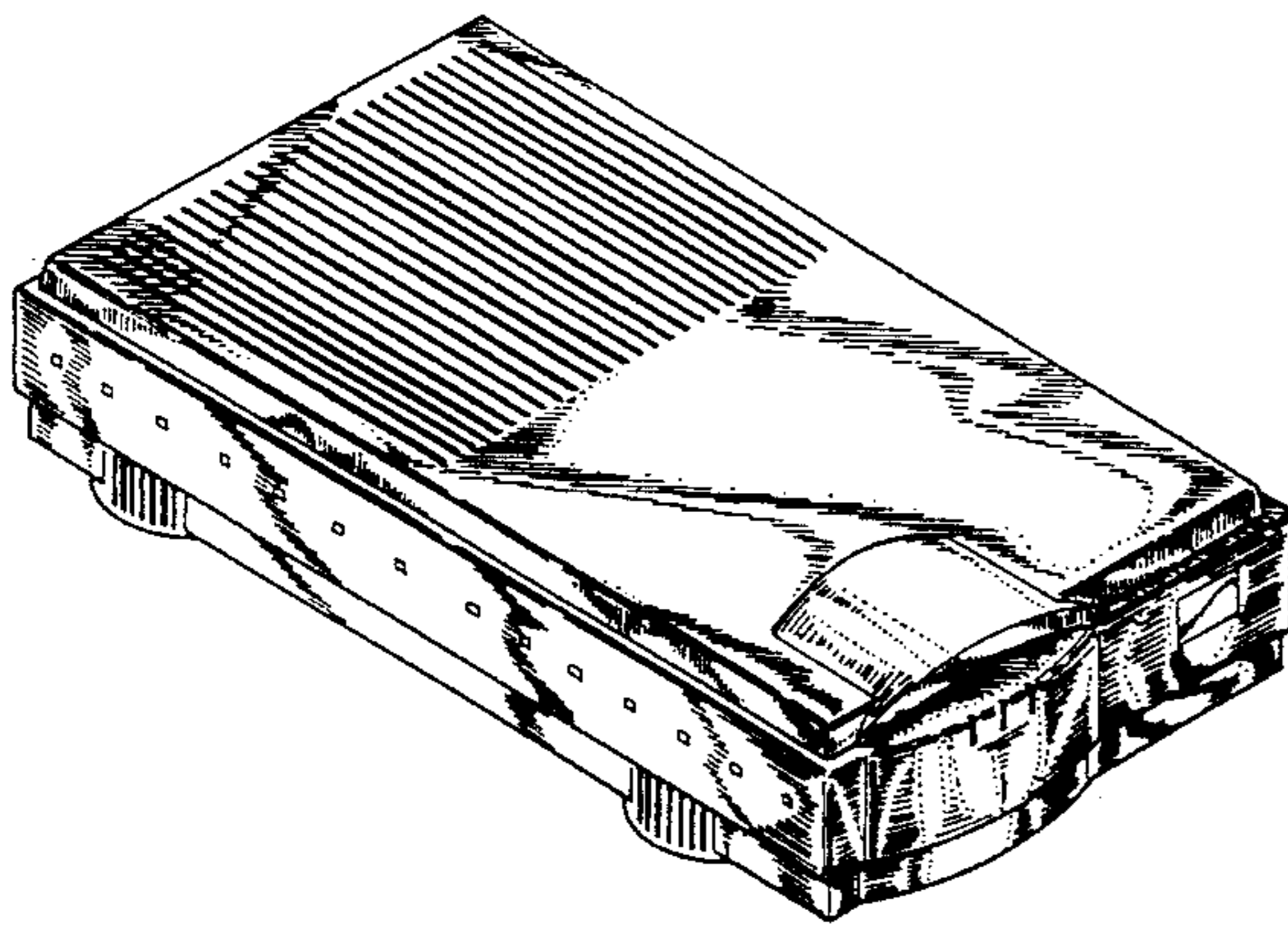
FIG. 8 is another perspective view with the cover raised at an upright position.

[56] **References Cited**

**U.S. PATENT DOCUMENTS**

- D. 318,654 7/1991 Huang ..... D14/107
- D. 336,078 6/1993 Khovaylo ..... D14/107
- D. 340,705 10/1993 Asakura et al. .... D14/107

**1 Claim, 5 Drawing Sheets**



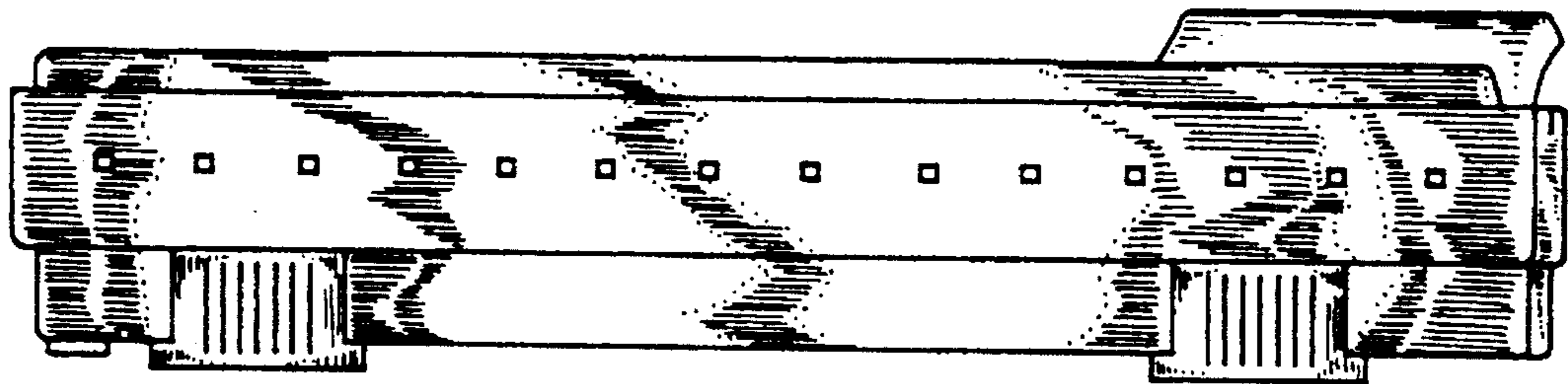


FIG. 1

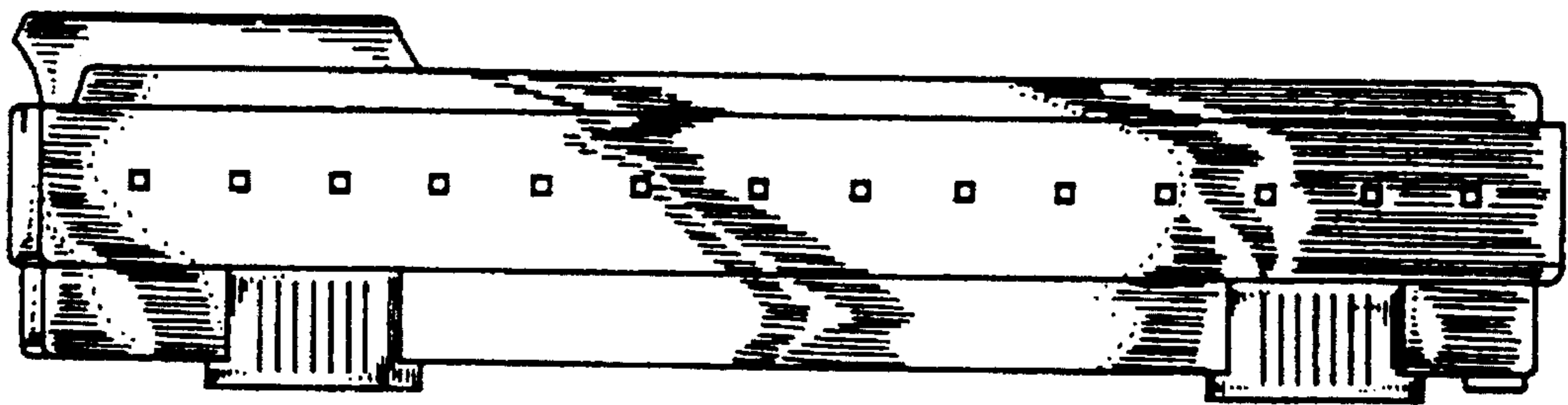


FIG. 2

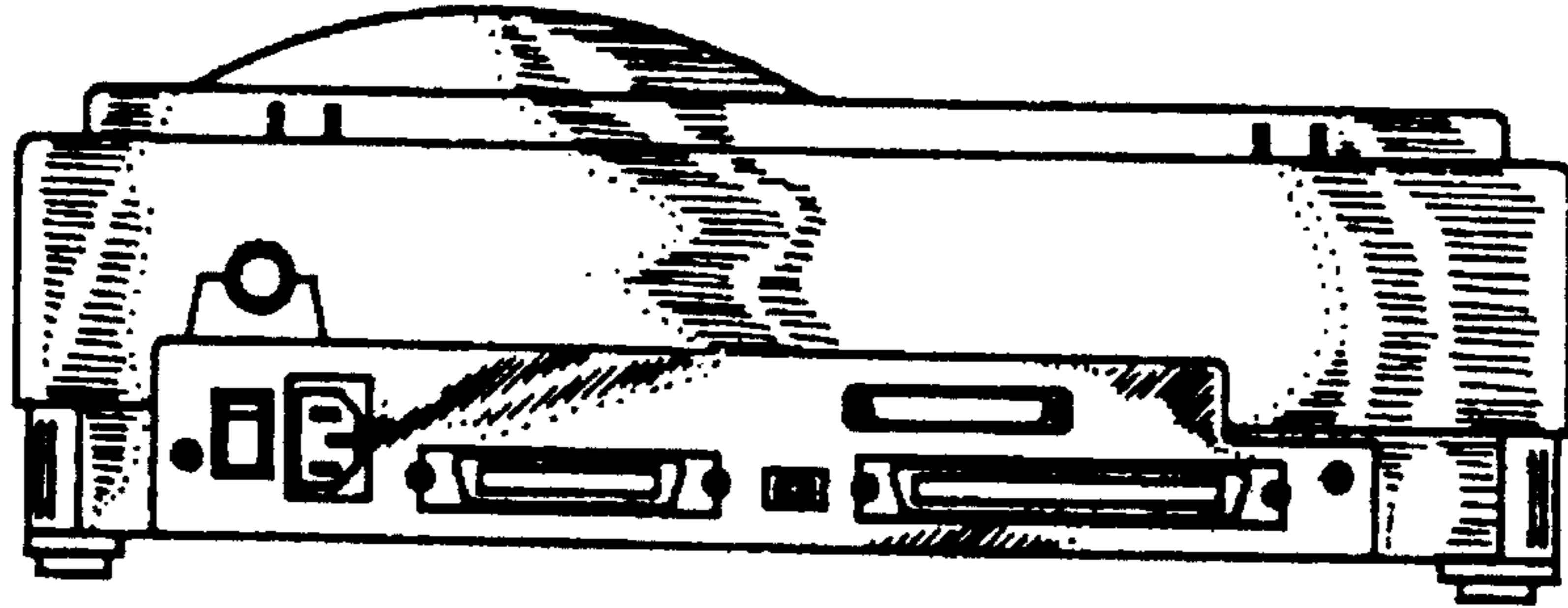


FIG. 3

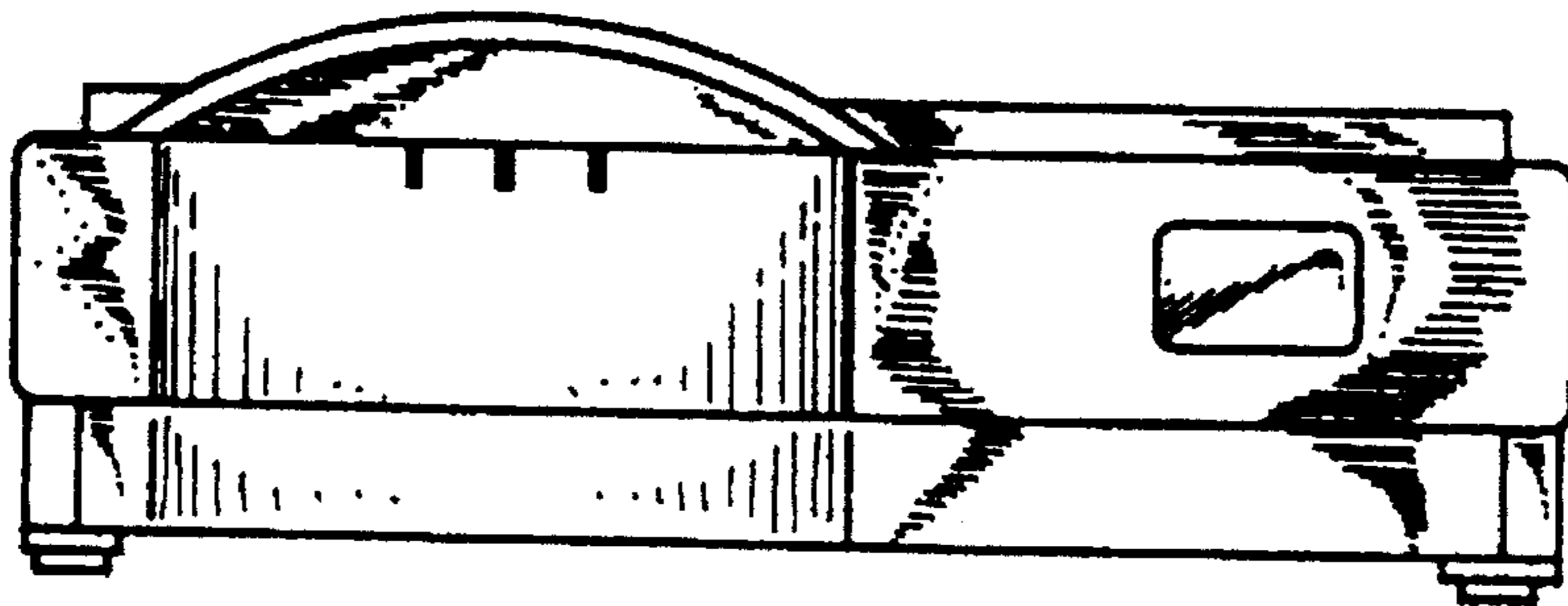


FIG. 4

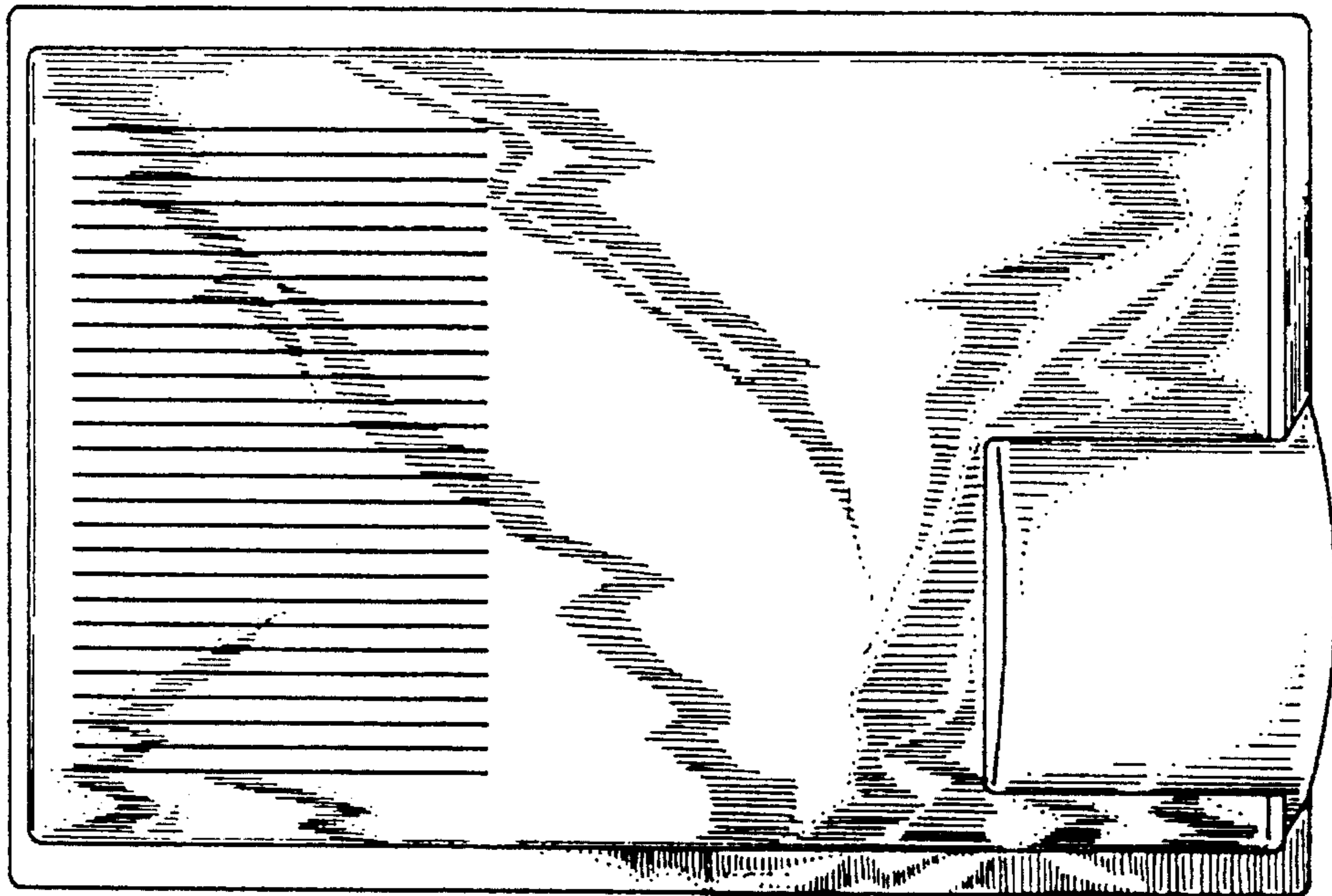


FIG. 5

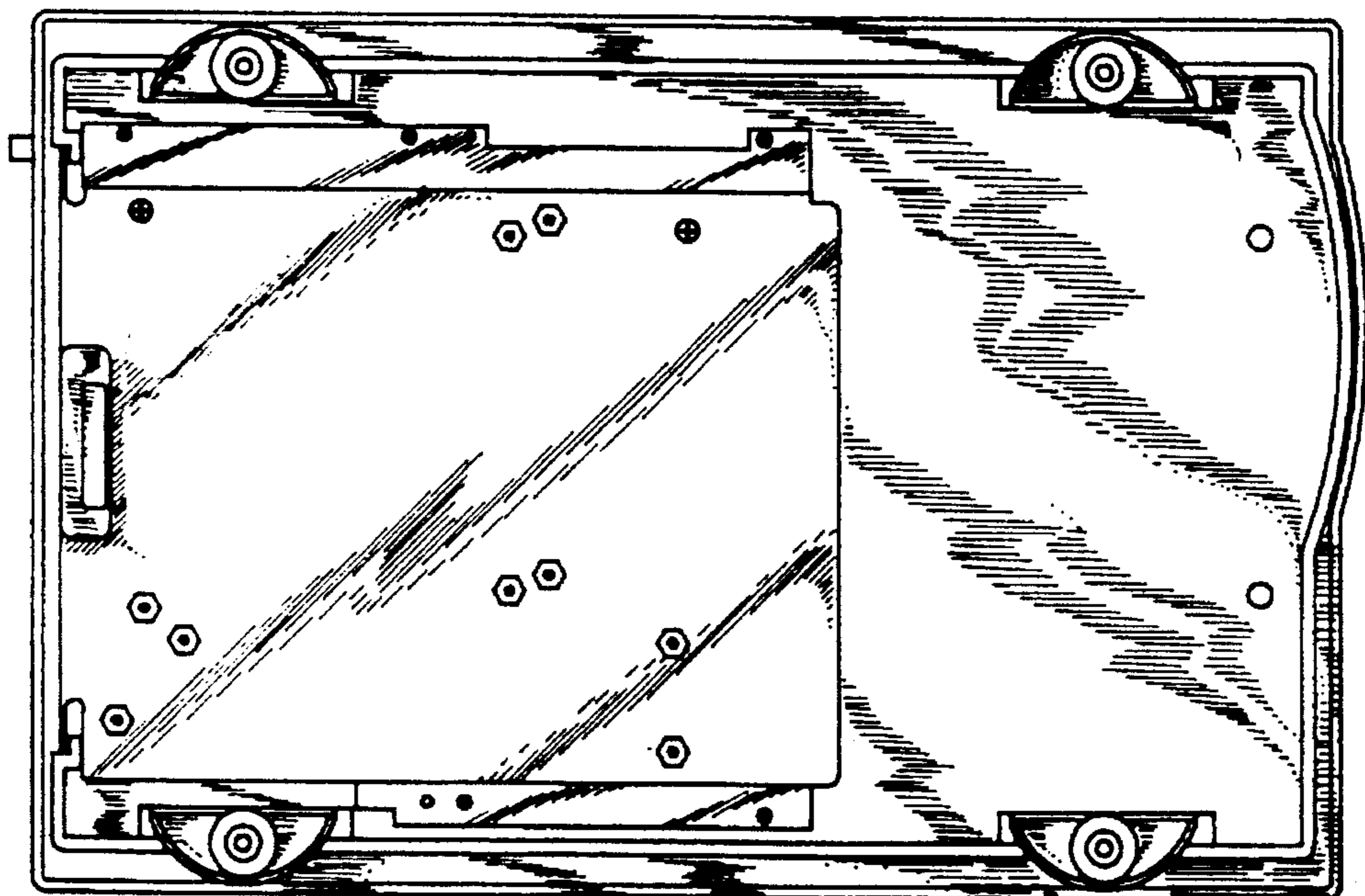


FIG. 6

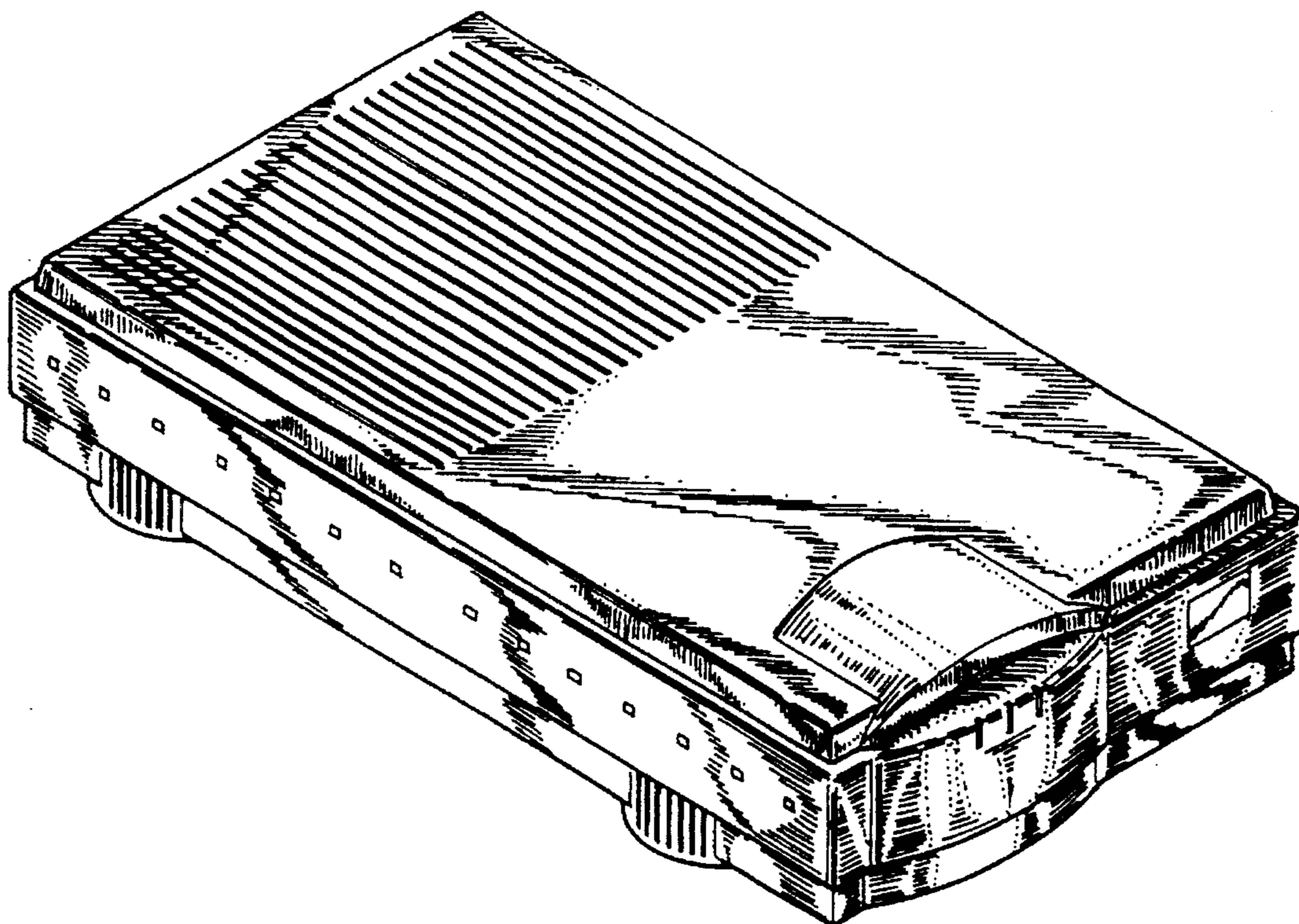


FIG. 7

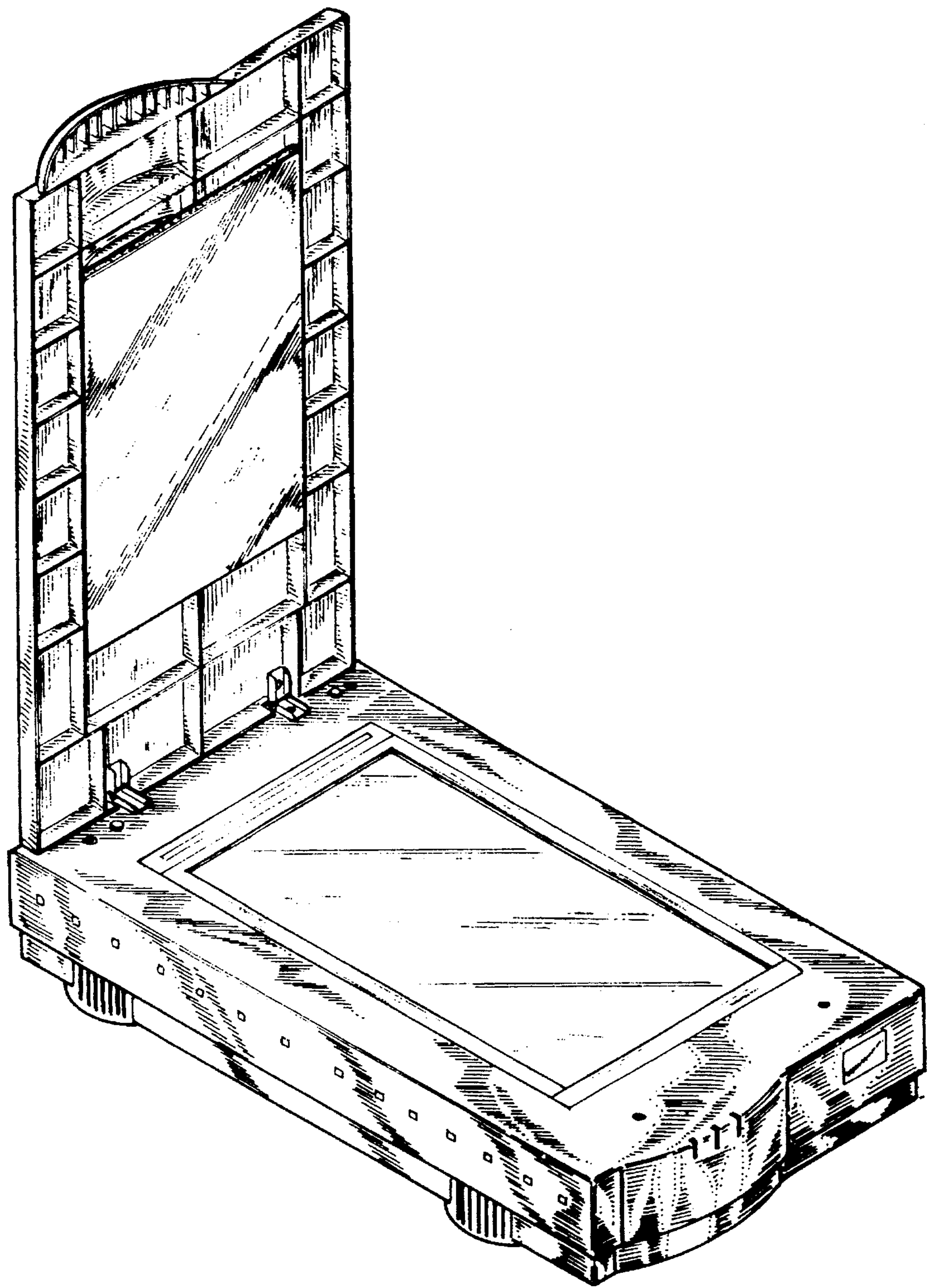


FIG. 8