



US00D370892S

United States Patent [19]

Shima et al.

[11] Patent Number: **Des. 370,892**

[45] Date of Patent: ****Jun. 18, 1996**

[54] **PERSONAL COMPUTER**

[75] Inventors: **Hisashi Shima**, Fujisawa; **Yoshiyuki Manabe**, Ebina, both of Japan; **Richard F. Sapper**, Milan, Italy

[73] Assignee: **International Business Machines Corp.**, Armonk, N.Y.

[**] Term: **14 Years**

[21] Appl. No.: **8,211**

[22] Filed: **May 12, 1993**

[30] **Foreign Application Priority Data**

Nov. 12, 1992 [JP] Japan 4-33104

[52] **U.S. Cl.** **D14/100; D19/60; D19/59**

[58] **Field of Search** D14/100, 106, D14/113, 188, 124-127; D19/52, 59, 60, 62; 345/104, 156, 173, 901, 905; 364/708.1, 709.04, 709.12; 434/307-309; D21/13

[56] **References Cited**

U.S. PATENT DOCUMENTS

D. 280,217 8/1985 Tomozawa et al. D19/60

D. 298,325 11/1988 Isozaki et al. D14/100 X
D. 305,024 12/1989 Nishiyori et al. D14/188 X
D. 309,923 8/1990 Cheung D19/59 X
D. 311,907 11/1990 Yoshihara D14/106

OTHER PUBLICATIONS

Video Technology Industries, Inc. catalog 1991 p. 36 (Video Painter).

Primary Examiner—Freda S. Nunn
Attorney, Agent, or Firm—Martin J. McKinley

[57] **CLAIM**

The ornamental design for a personal computer, as shown and described.

DESCRIPTION

FIG. 1 is an enlarged right front and top perspective view of the personal computer showing our new design; FIG. 2 is a front elevational view thereof; FIG. 3 is a rear elevational view thereof; FIG. 4 is a top plan view thereof; FIG. 5 is a bottom plan view thereof; FIG. 6 is a left side elevational view thereof; and, FIG. 7 is a right side elevational view thereof.

1 Claim, 4 Drawing Sheets

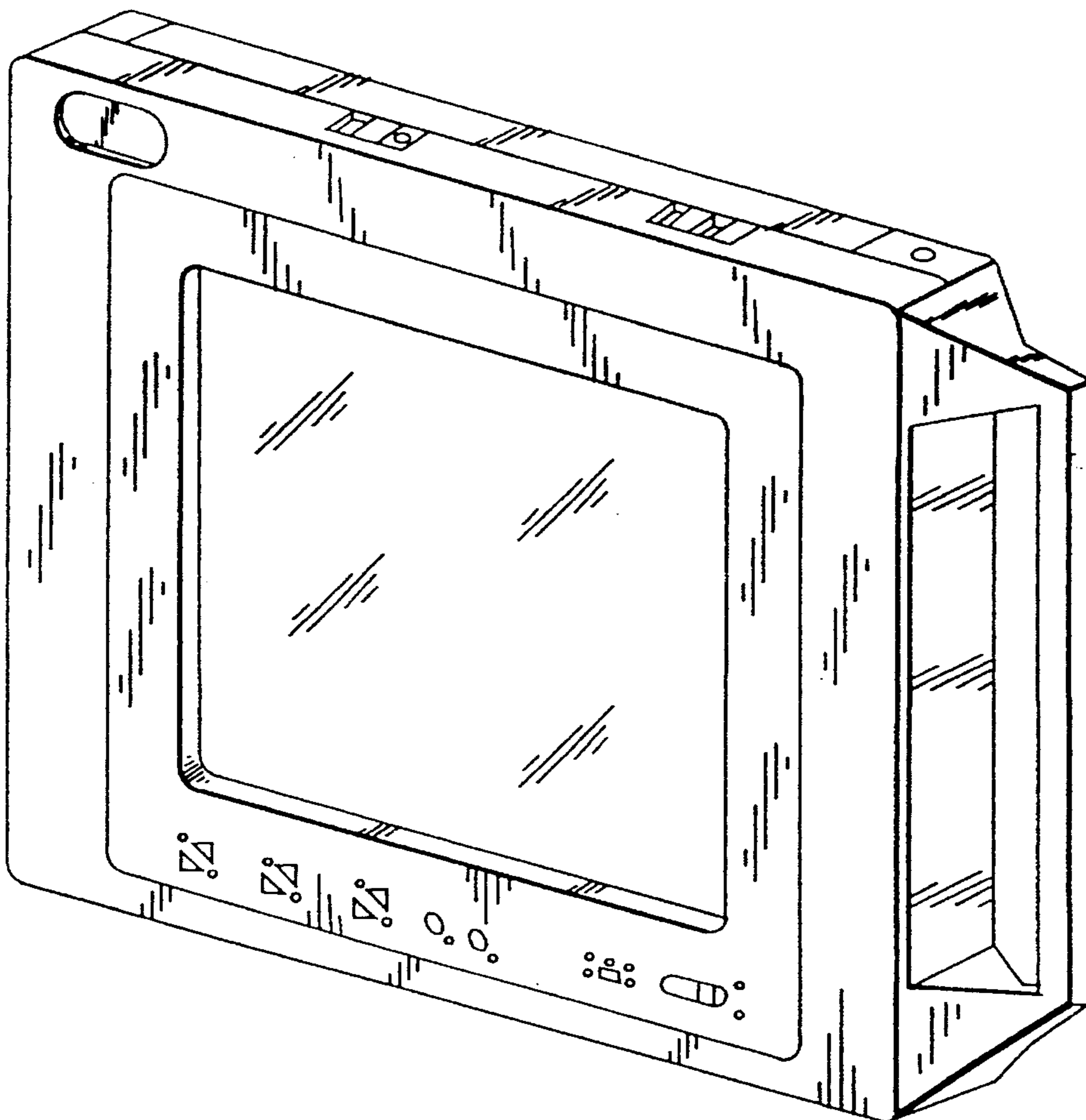


FIG. 1

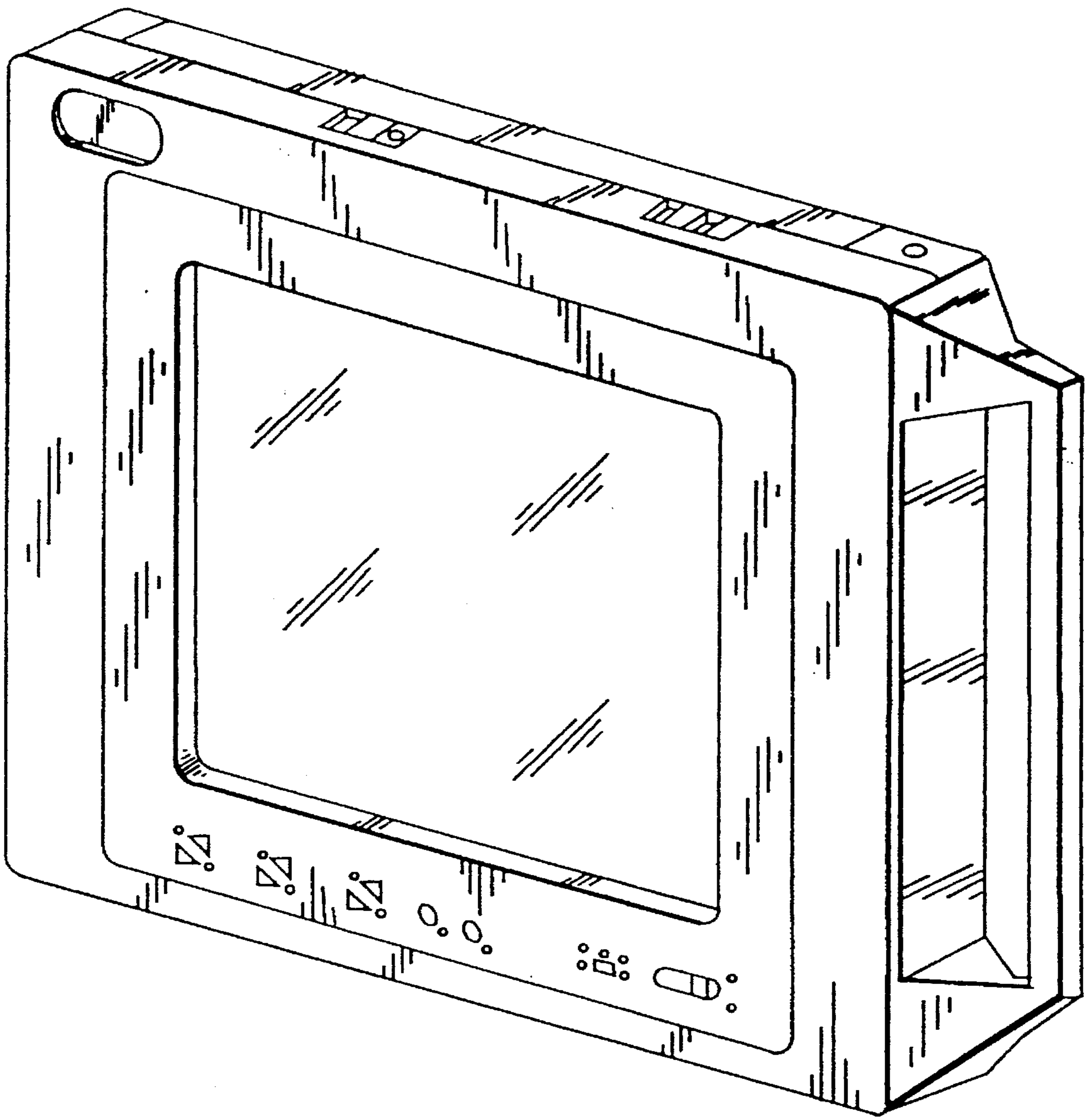


FIG. 2

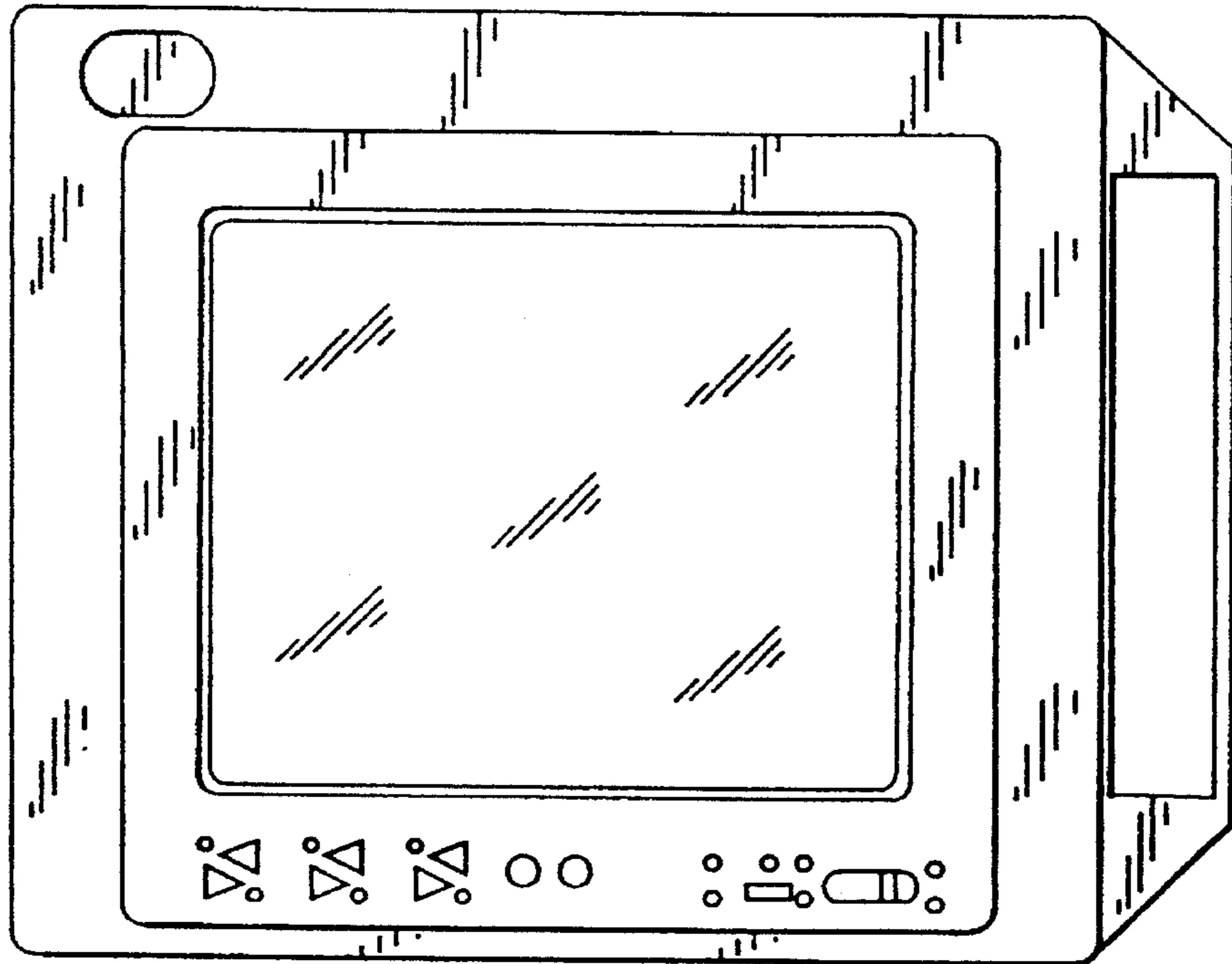


FIG. 3

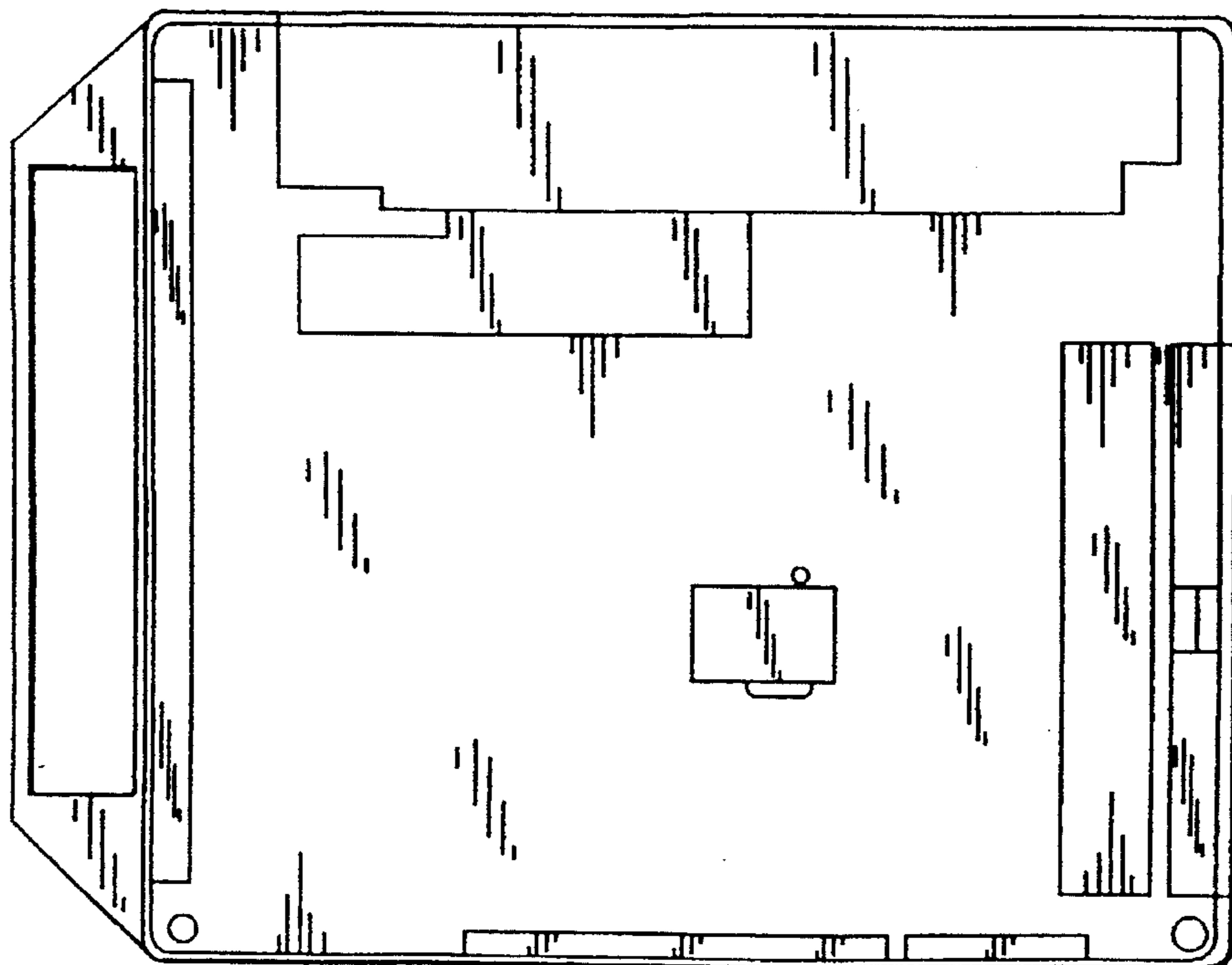


FIG. 4

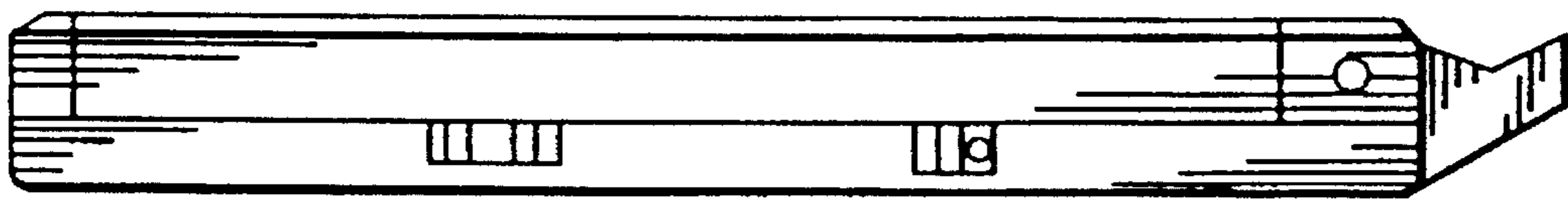


FIG. 5

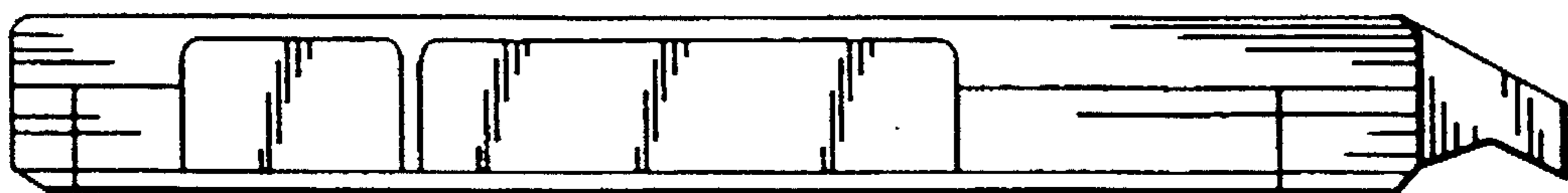


FIG. 6

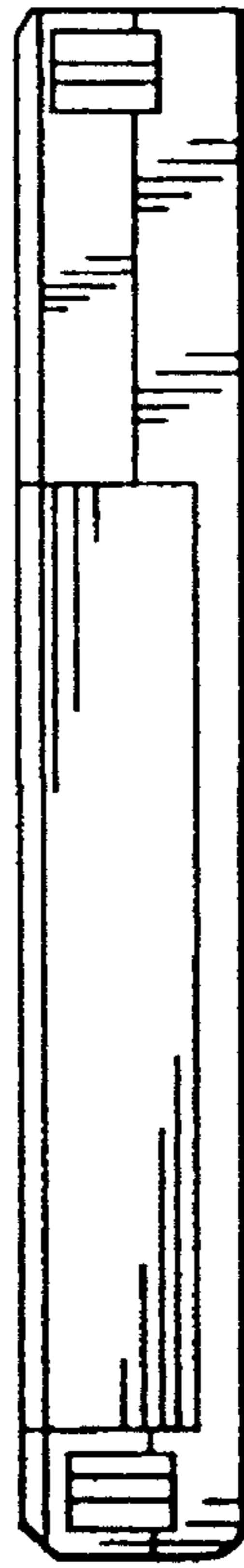


FIG. 7

