



US00D370889S

# United States Patent [19]

[11] Patent Number: **Des. 370,889**

Anthony

[45] Date of Patent: **\*\*Jun. 18, 1996**

[54] **SCULPTURED ELECTRICAL CONNECTOR HOUSING**

*Primary Examiner*—Joel Sincavage

*Attorney, Agent, or Firm*—Jerry M. Presson; David L. Tarnoff

[75] Inventor: **John C. Anthony**, Fairfield, Conn.

[57] **CLAIM**

[73] Assignee: **Hubbell Incorporated**, Orange, Conn.

The ornamental design for a sculptured electrical connector housing, as shown and described.

[\*\*] Term: **14 Years**

**DESCRIPTION**

[21] Appl. No.: **38,936**

[22] Filed: **May 17, 1995**

[52] U.S. Cl. .... **D13/146**; D13/154

[58] **Field of Search** ..... D13/146, 156, D13/154, 177; D8/353; 439/144, 324, 333, 337, 373, 536, 538, 671, 673, 680; 220/3.3, 3.4, 3.5; 174/53, 55, 66

FIG. 1 is a perspective view of a sculptured electrical connector housing according to my new design;

FIG. 2 is a front elevational view of the sculptured electrical connector housing of my new design shown in FIG. 1;

FIG. 3 is a top plan view of the sculptured electrical connector housing of my new design shown in FIG. 1 and 2;

FIG. 4 is a bottom plan view of the sculptured electrical connector housing of my new design shown in FIGS. 1-3;

FIG. 5 is a left side elevational view of the sculptured electrical connector housing of my new design shown in FIGS. 1 and 4; and,

FIG. 6 is a right side elevational view of the sculptured electrical connector housing of my new design shown in FIGS. 1-5.

The broken line showing of environment in FIGS. 1 and 3-6 is for illustrative purposes only and forms no part of the claimed design. The electrical connector of the claimed design can be either an inlet (male connector) or a receptacle (female connector).

[56] **References Cited**

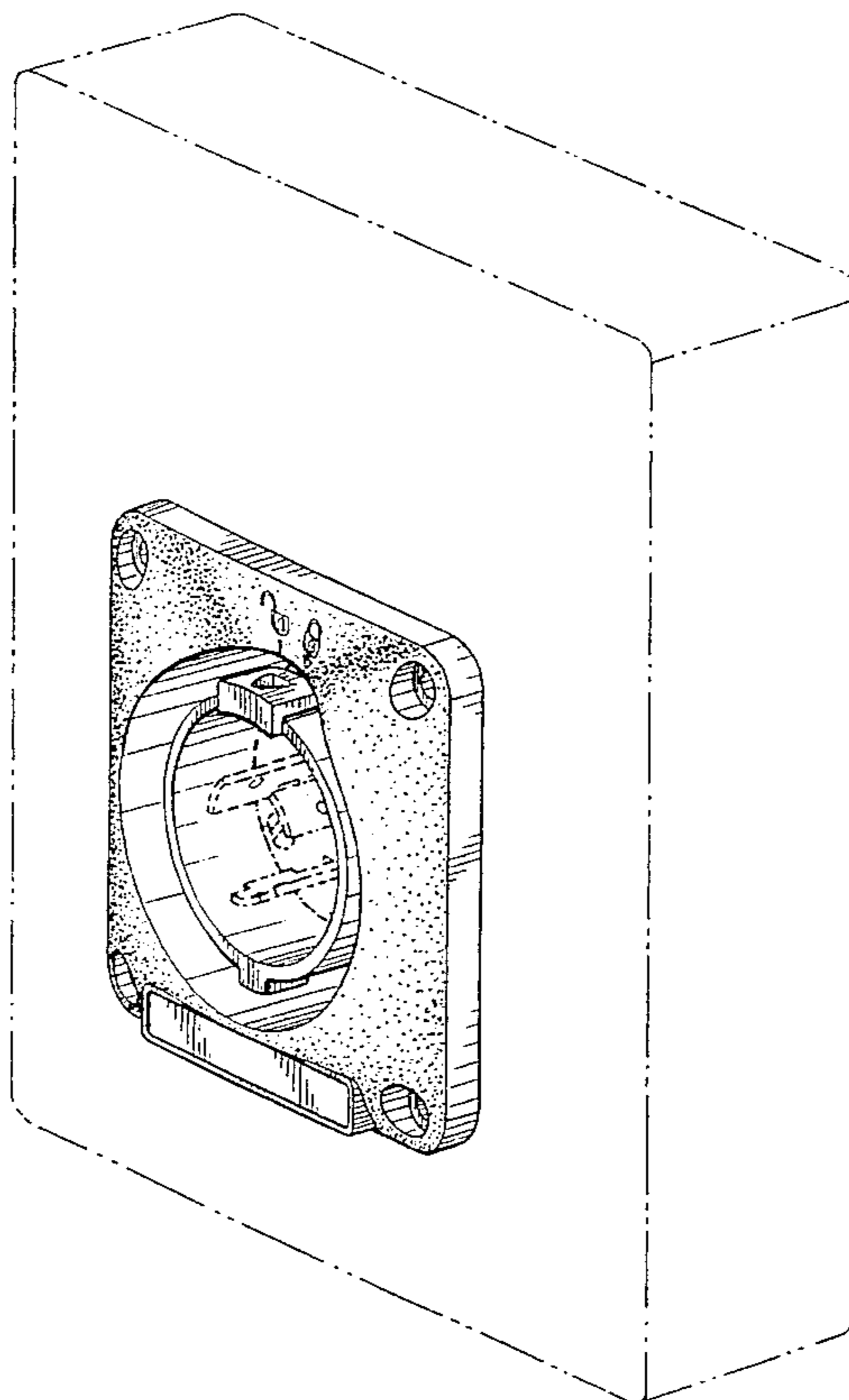
**U.S. PATENT DOCUMENTS**

3,136,592	6/1964	Miller .....	439/680 X
3,140,344	7/1964	Slater et al. .	
3,716,815	2/1973	Riches .....	339/49 M
3,959,059	4/1976	Anhalt et al. ....	339/75 M
4,197,959	4/1980	Kramer .....	220/242
4,553,000	11/1985	Appleton .....	200/50 B
5,035,646	7/1991	Ehrenfels et al. ....	439/536
5,395,246	3/1995	Punako et al. ....	439/680
5,449,302	9/1995	Yarbrough et al. ....	439/680

**OTHER PUBLICATIONS**

GE Wiring Devices—Full Line Catalog—1989—p. D5.  
Killark Catalog, Electrical Construction Products, 1994,  
Section 4, pp. 1-16.

**1 Claim, 3 Drawing Sheets**



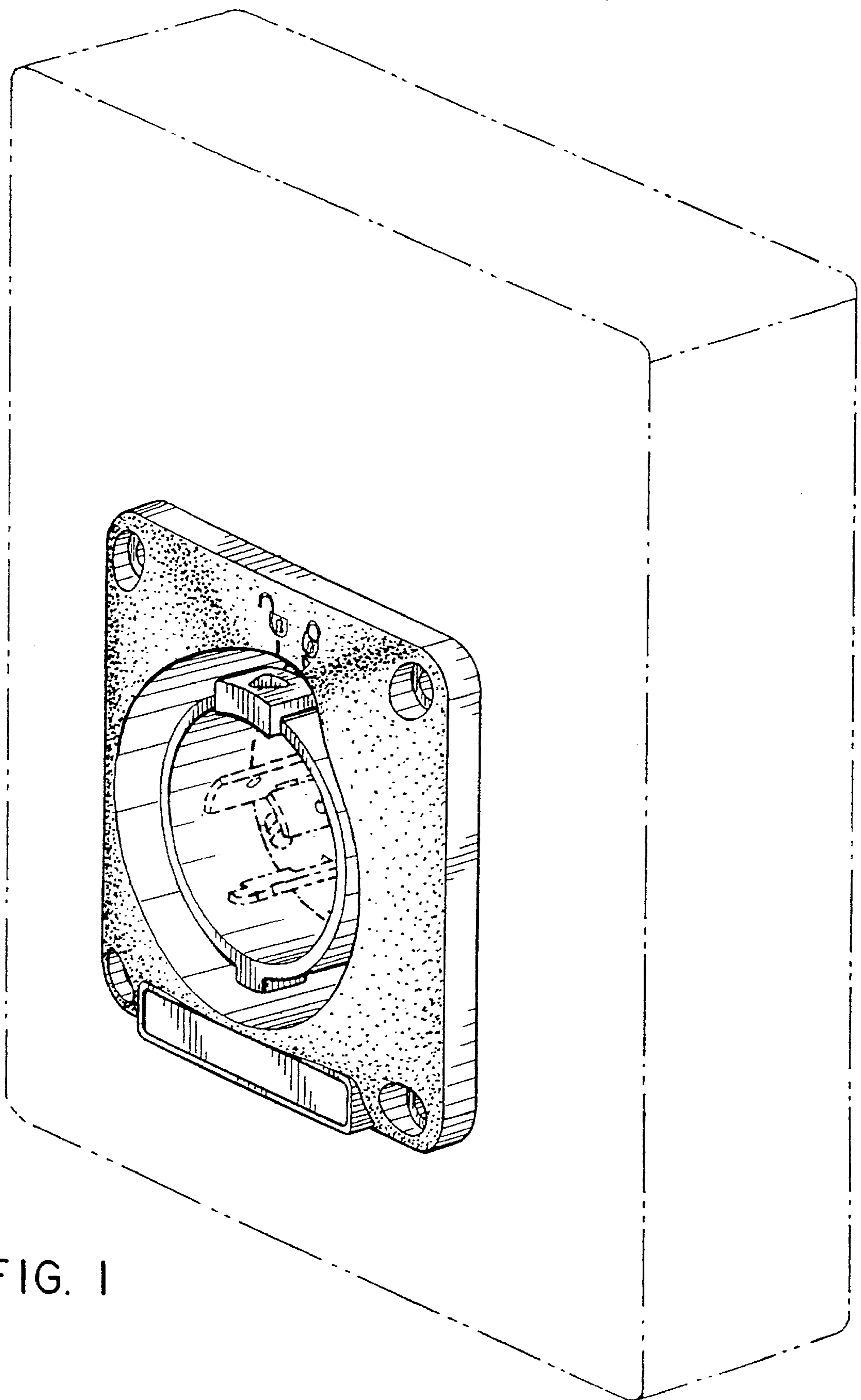


FIG. 1

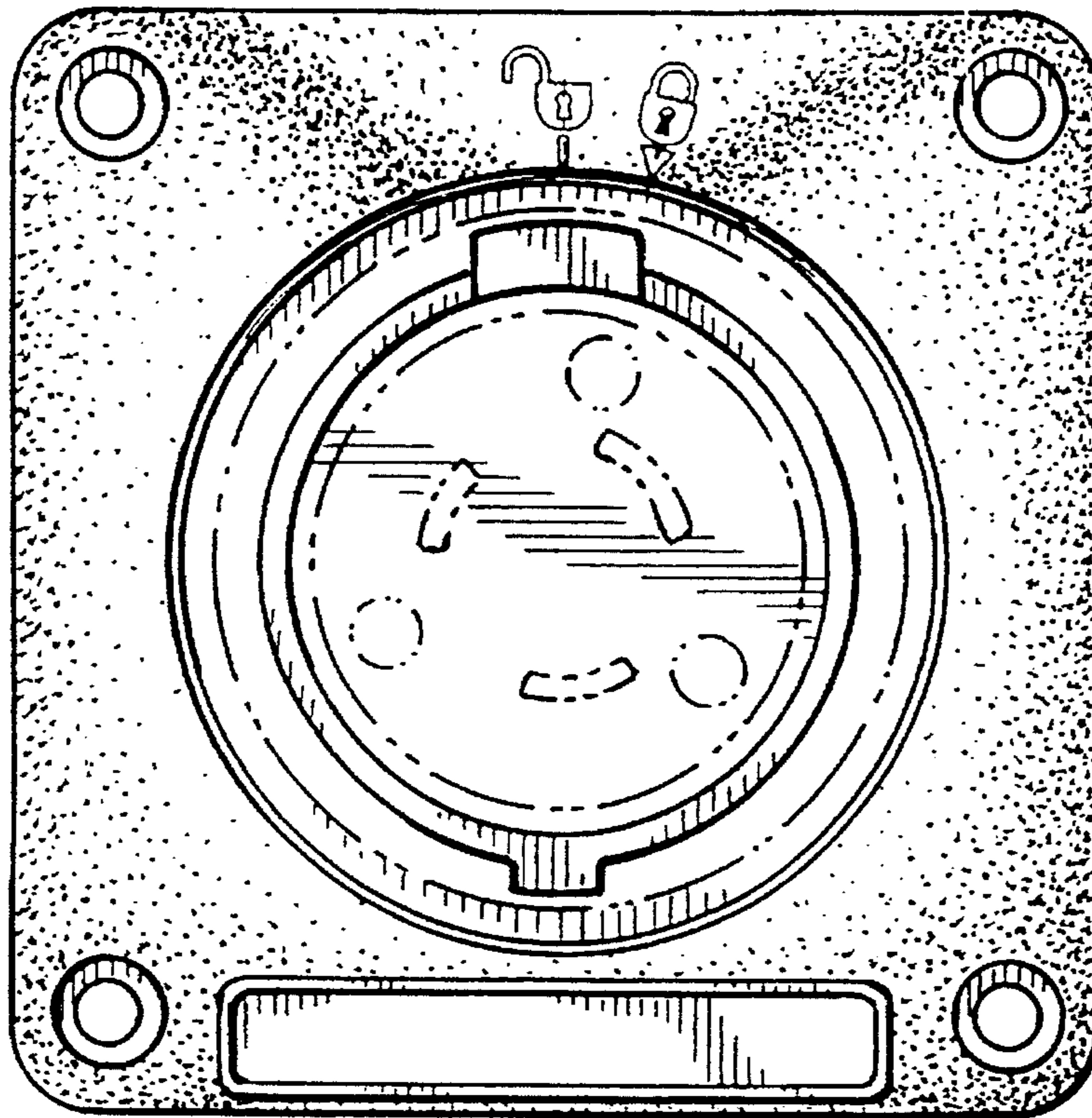


FIG. 2

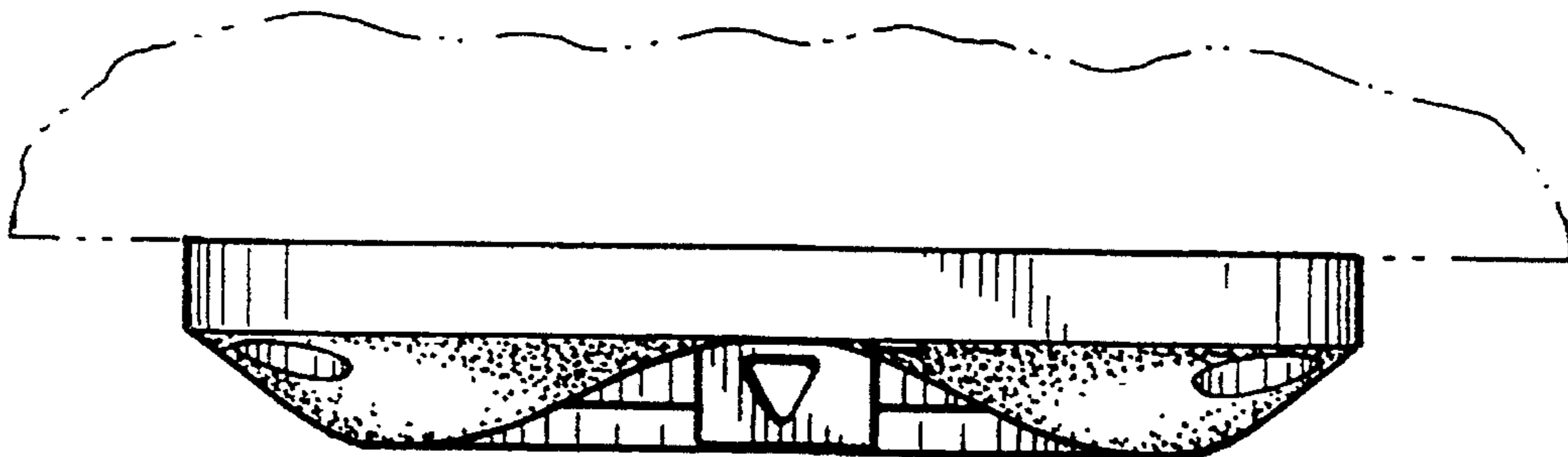


FIG. 3



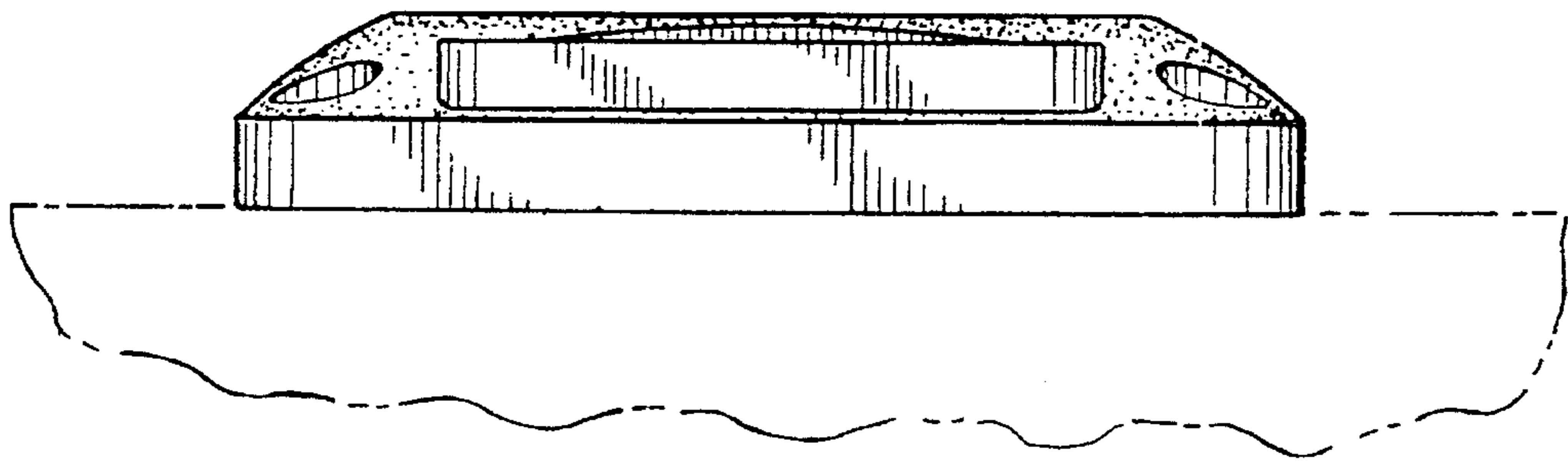


FIG. 4

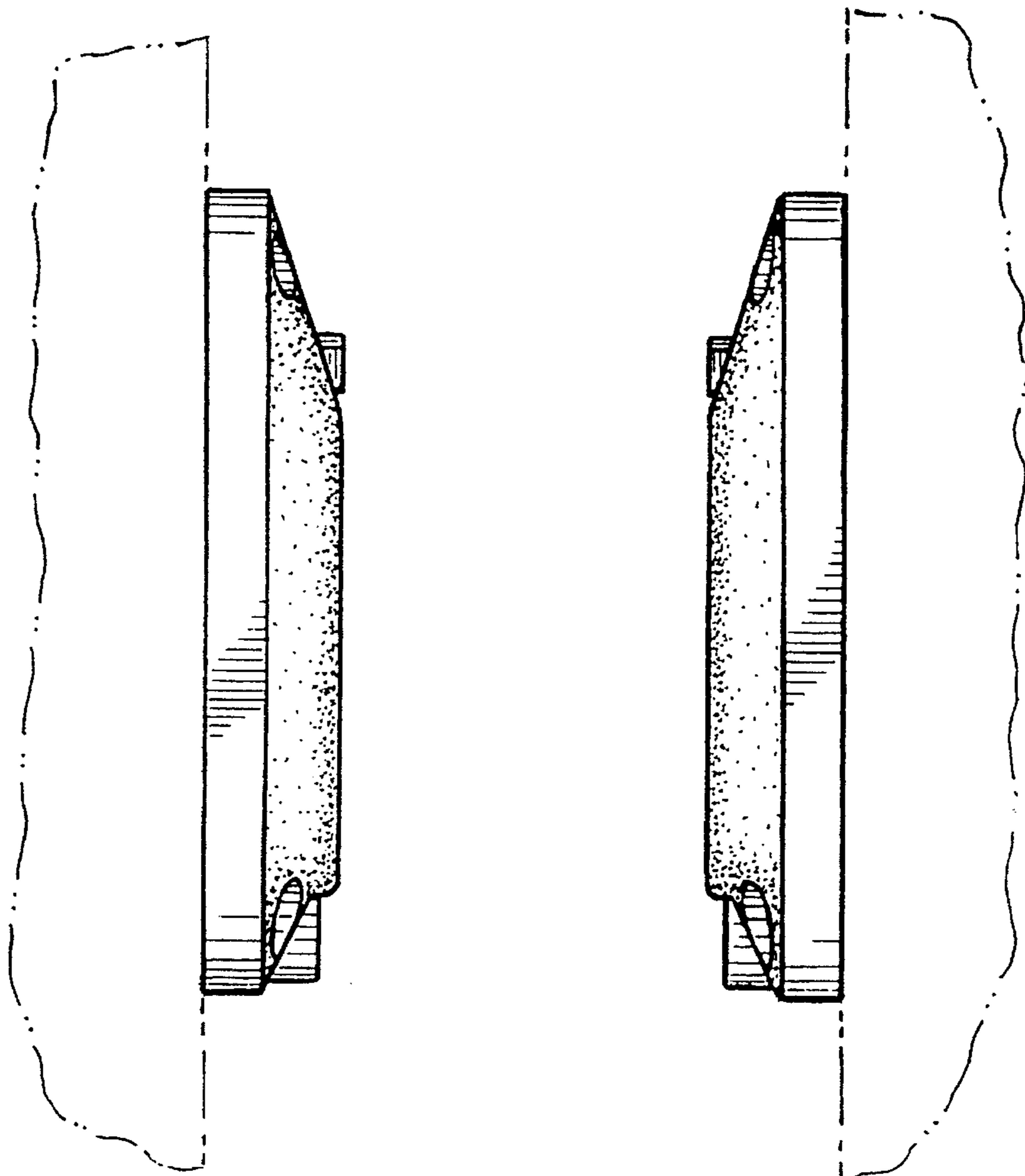


FIG. 5

FIG. 6