



US00D370887S

# United States Patent [19]

[11] Patent Number: **Des. 370,887**

**Duguid**

[45] Date of Patent: **\*\*Jun. 18, 1996**

## [54] VEHICLE CONVENIENCE CONSOLE

## OTHER PUBLICATIONS

[75] Inventor: **James C. Duguid**, Ossian, Ind.

"J. C. Whitney Catalog", Mar. 1992, p. 91, Custom fit floor consoles and storage boxes.

[73] Assignee: **Navistar International Transportation Corp.**, Chicago, Ill.

"PC-9700 Set Back Front Axle Parts Catalog" Oct. 1987, Navistar International Transportation Corp. Part 16-011, p1.

[\*\*] Term: **14 Years**

"9000 Series Premium Cabover Tractors" Brochure No. AD-42656 Navistar International Transportation Corp. 1989, pp. 8-9.

[21] Appl. No.: **35,289**

[22] Filed: **Feb. 24, 1995**

*Primary Examiner*—Antoine Duval Davis

[52] U.S. Cl. .... **D12/424**

*Assistant Examiner*—S. Snapp

[58] Field of Search ..... D12/411, 419, D12/420, 424, 415, 416; D7/549, 553, 555, 619, 620, 623, 625, 701, 707, 708; D9/434, 455; 108/43, 44, 46; 215/386, 393, 395; 224/42.11, 311, 318, 275; 248/311.2; 296/37.1, 37.6

*Attorney, Agent, or Firm*—Dennis K. Sullivan

## [57] CLAIM

The ornamental design for a vehicle convenience console, as shown and described.

## [56] References Cited

## DESCRIPTION

### U.S. PATENT DOCUMENTS

D. 232,870	9/1974	Fry	.....	D12/419
D. 250,064	10/1978	Monopoli	.....	D12/419
D. 307,335	4/1990	Page, Jr.	.....	D12/419
D. 308,131	5/1990	Marcantonio	.....	D12/419
D. 320,909	10/1991	Szablak et al.	.....	D7/701
D. 323,932	2/1992	Hudgens	.....	D12/419
D. 338,581	8/1993	Korter	.....	D6/511
3,136,461	6/1964	Gregg, Jr.	.....	D12/419 X
4,254,452	3/1981	Switala	.....	D7/701 X

FIG. 1 is a left, front perspective view of a vehicle convenience console showing my new design;

FIG. 2 is a left side elevation view thereof;

FIG. 3 is a right side elevation view thereof;

FIG. 4 is a top plan view thereof; and,

FIG. 5 is a front elevation view thereof.

The vehicle convenience console has no bottom and rear surfaces other than the side and top wall edges which lack ornamentation.

### FOREIGN PATENT DOCUMENTS

2223466	4/1990	United Kingdom	.....	224/275
---------	--------	----------------	-------	---------

**1 Claim, 2 Drawing Sheets**

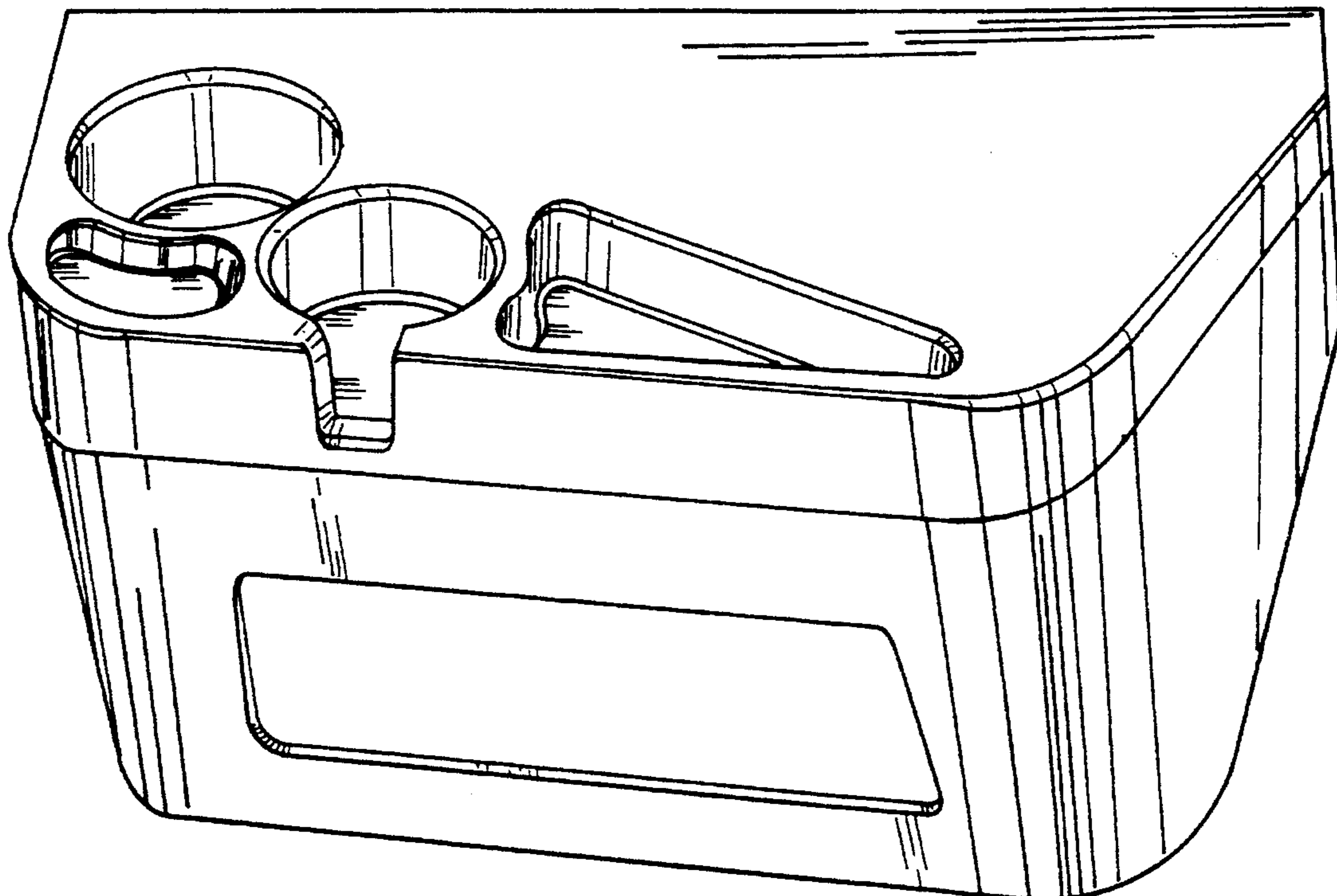


FIG. 1

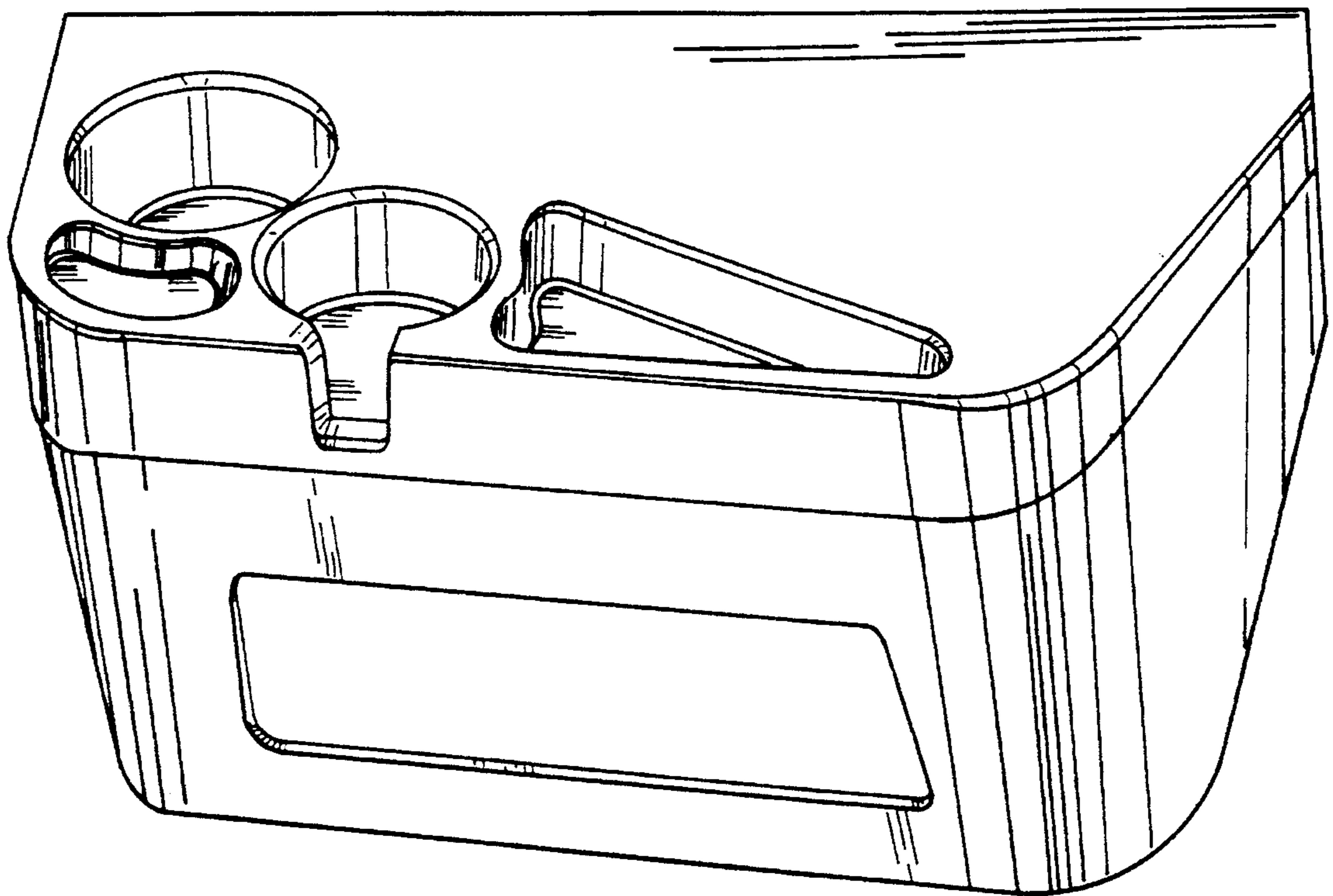


FIG. 2

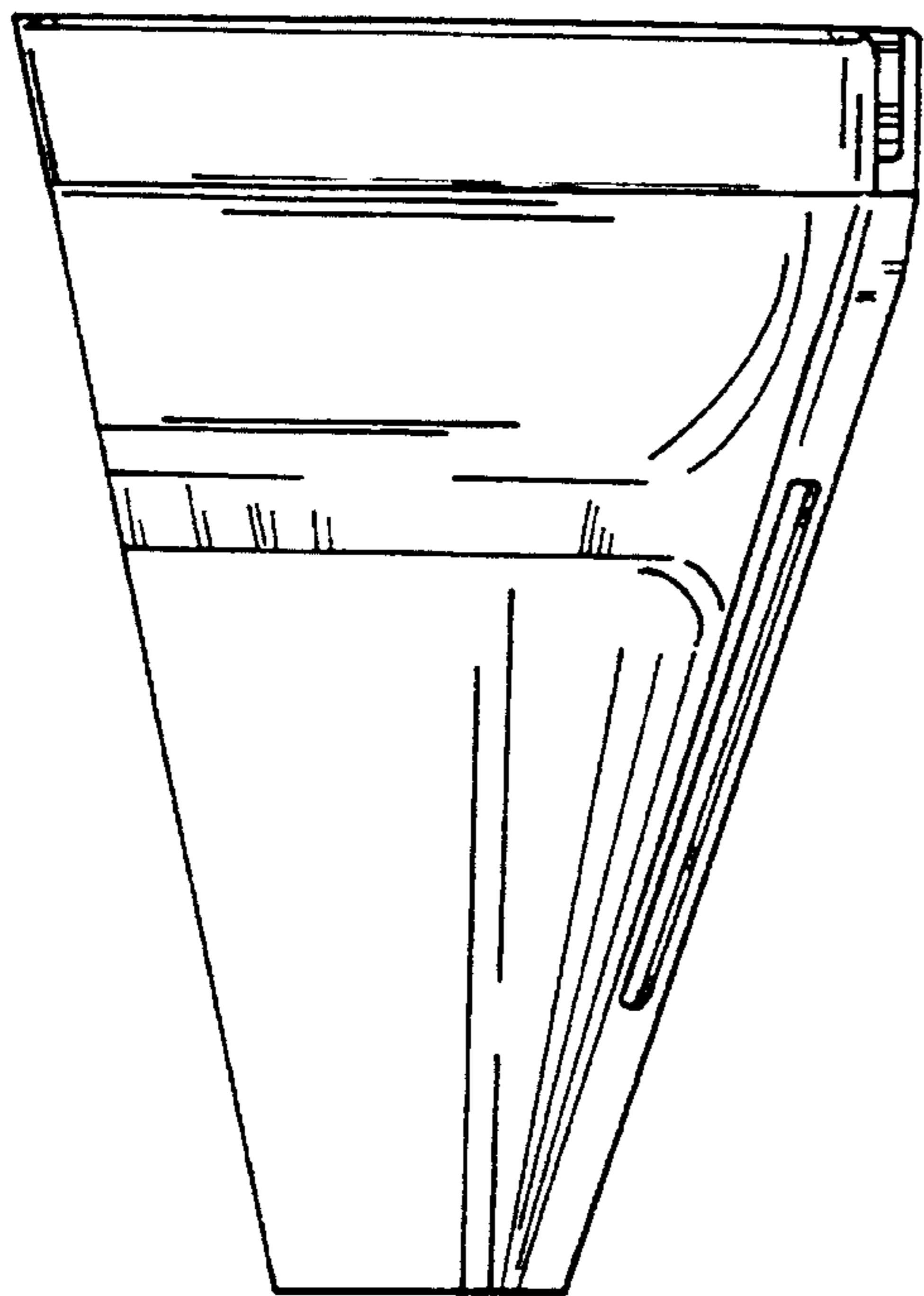


FIG. 3

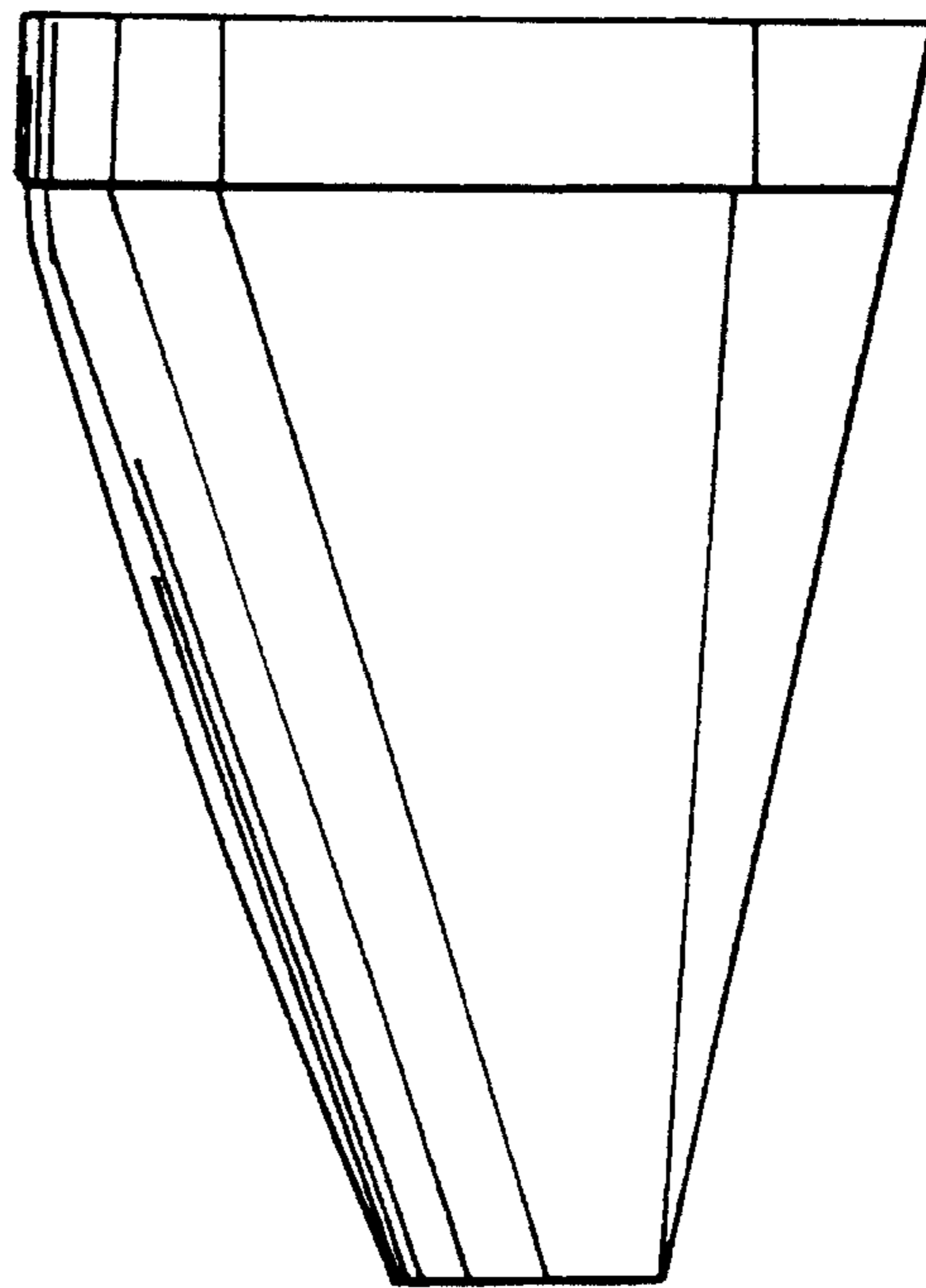


FIG. 4

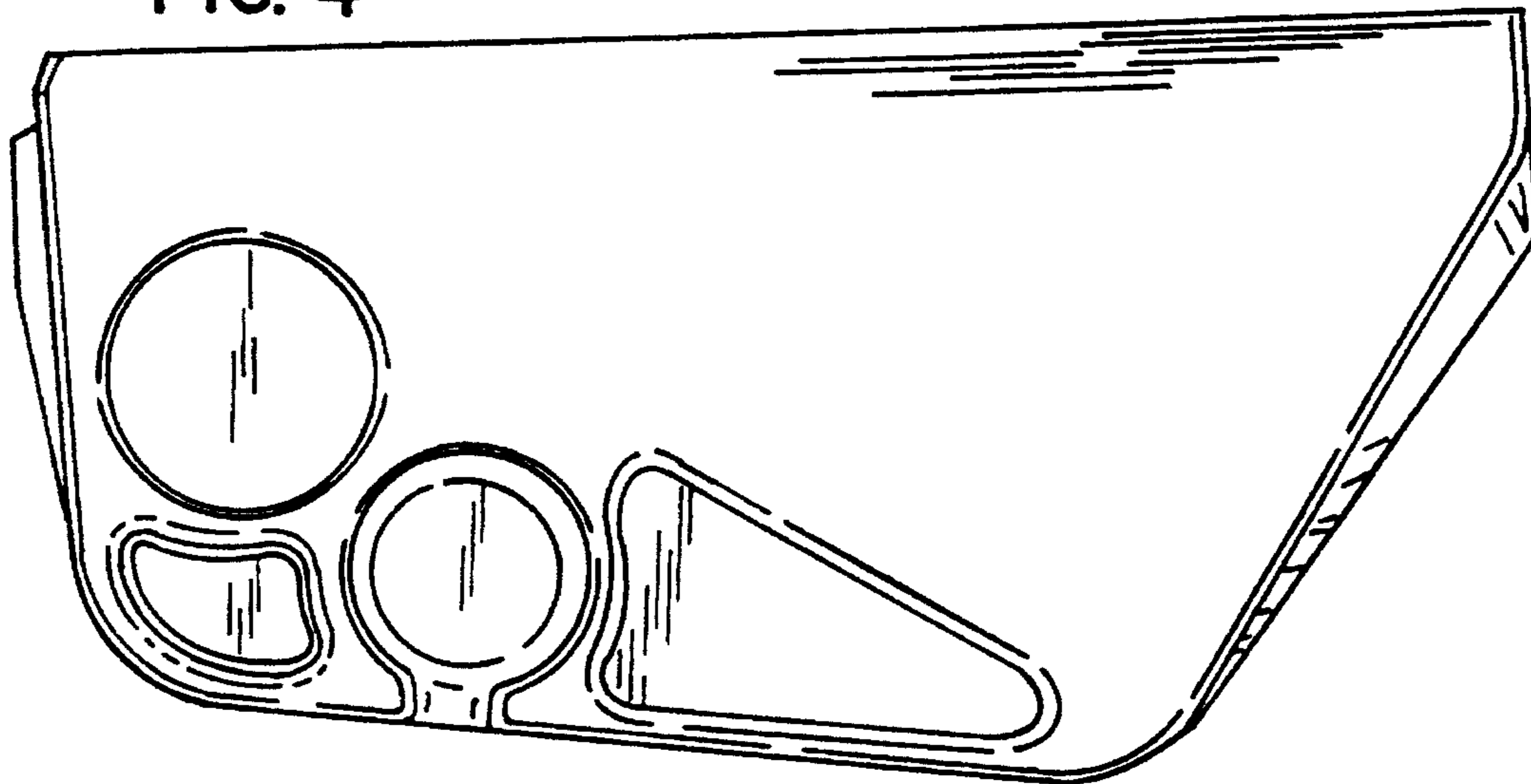


FIG. 5

