



US00D370885S

# United States Patent [19]

**Brock**

[11] **Patent Number: Des. 370,885**

[45] **Date of Patent: \*\*Jun. 18, 1996**

[54] **SAILBOAT**

[76] **Inventor: William D. Brock**, 4898 Euclid Rd.,  
Virginia Beach, Va. 23462

[\*\*] **Term: 14 Years**

[21] **Appl. No.: 38,265**

[22] **Filed: May 2, 1995**

[52] **U.S. Cl. .... D12/304; D12/303**

[58] **Field of Search .... D12/300, 303,  
D12/304; 114/39.1, 61**

4,539,926 9/1985 Boffer .  
4,757,777 7/1988 Rosenberger .  
4,771,716 9/1988 Dat .  
5,024,177 6/1991 Winter et al .

*Primary Examiner*—Kay H. Chin  
*Attorney, Agent, or Firm*—Greenblum & Bernstein

### [57] CLAIM

The ornamental design for a sailboat, as shown and described.

### DESCRIPTION

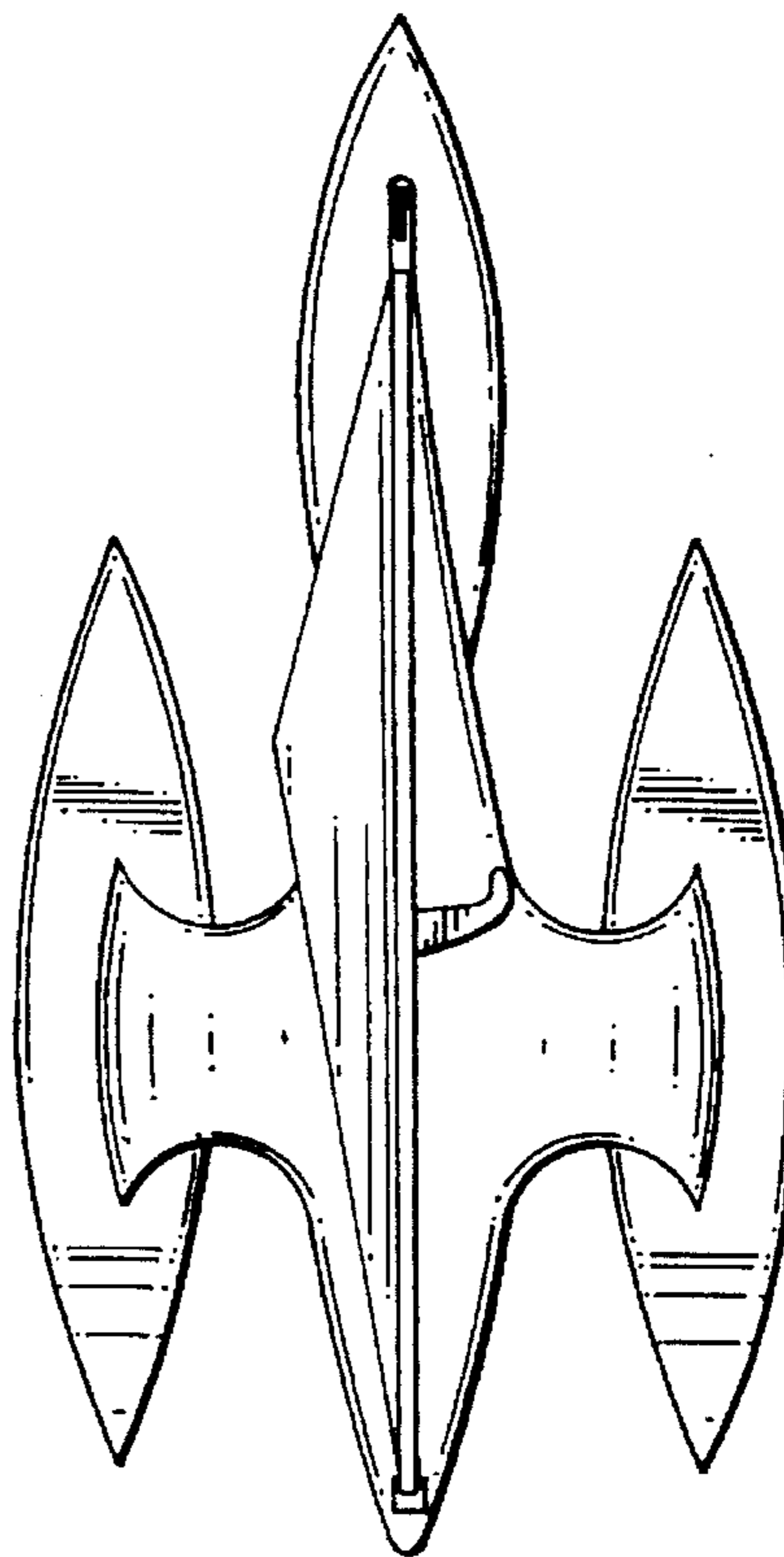
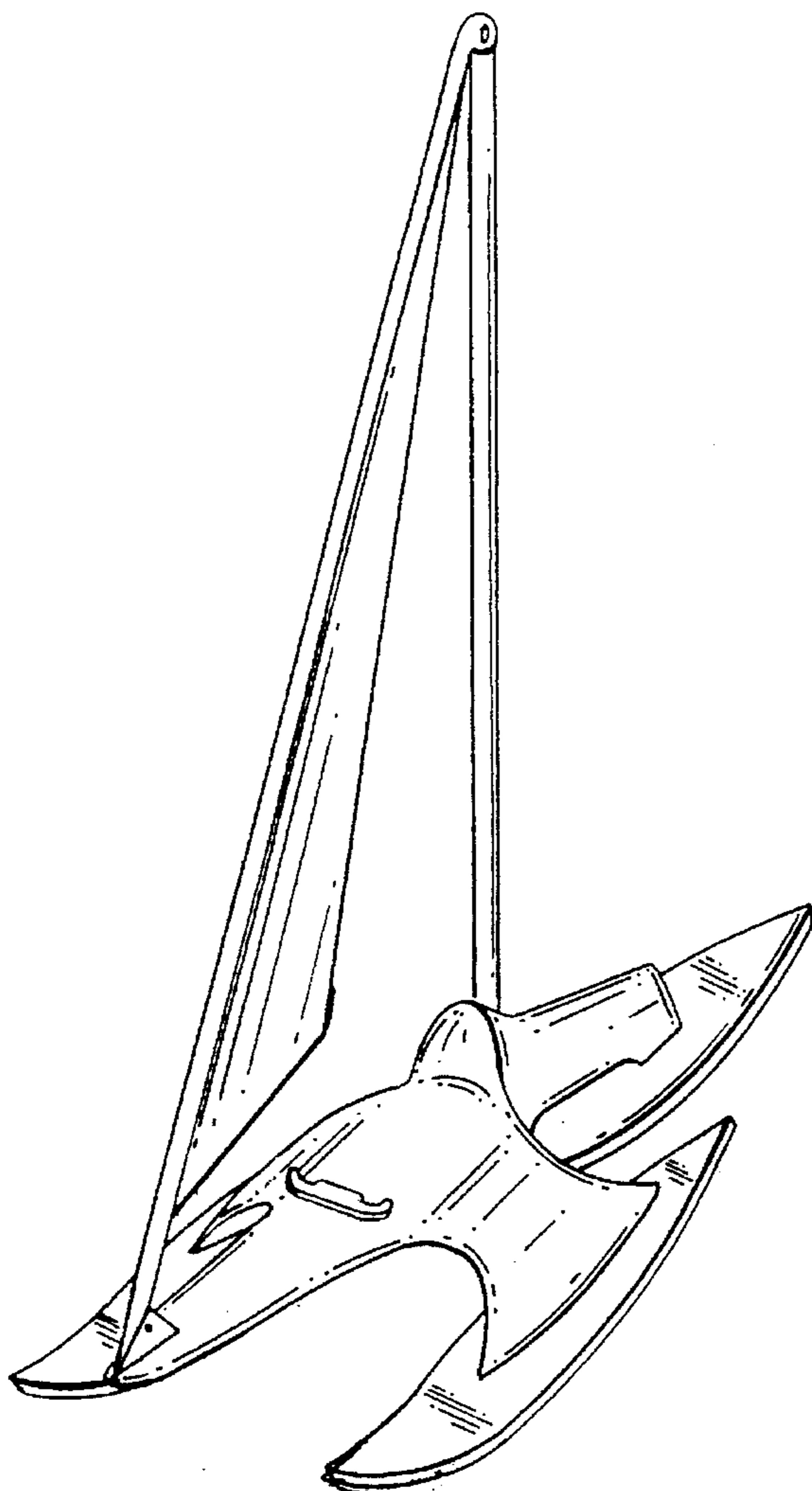
FIG. 1 is a right front perspective view of the sailboat;  
FIG. 2 is right side elevational view thereof;  
FIG. 3 is left side elevational view thereof;  
FIG. 4 is front elevational view thereof;  
FIG. 5 is rear elevational view thereof;  
FIG. 6 is a top plan view thereof; and,  
FIG. 7 is a bottom plan view thereof.

### [56] References Cited

#### U.S. PATENT DOCUMENTS

D. 249,493	9/1978	Rineman .....	D12/304
D. 317,000	5/1991	Berghoef, Jr. .	
2,654,335	10/1953	Ball .	
3,802,366	4/1974	Mankawich .	
4,054,100	10/1977	Rineman .....	114/39.1
4,294,184	10/1981	Heinrich .	
4,503,795	3/1985	Krans .....	114/61

**1 Claim, 3 Drawing Sheets**



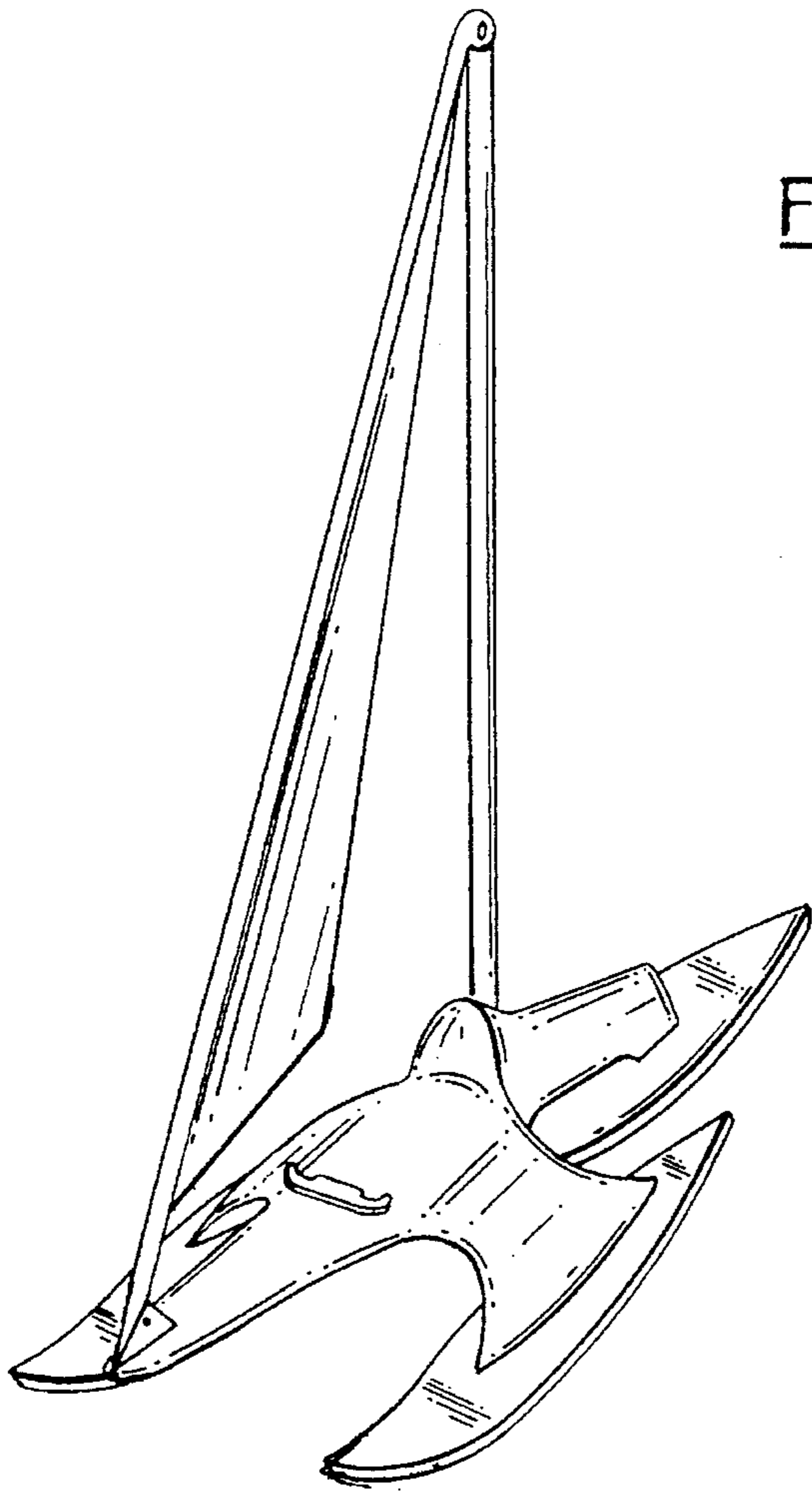
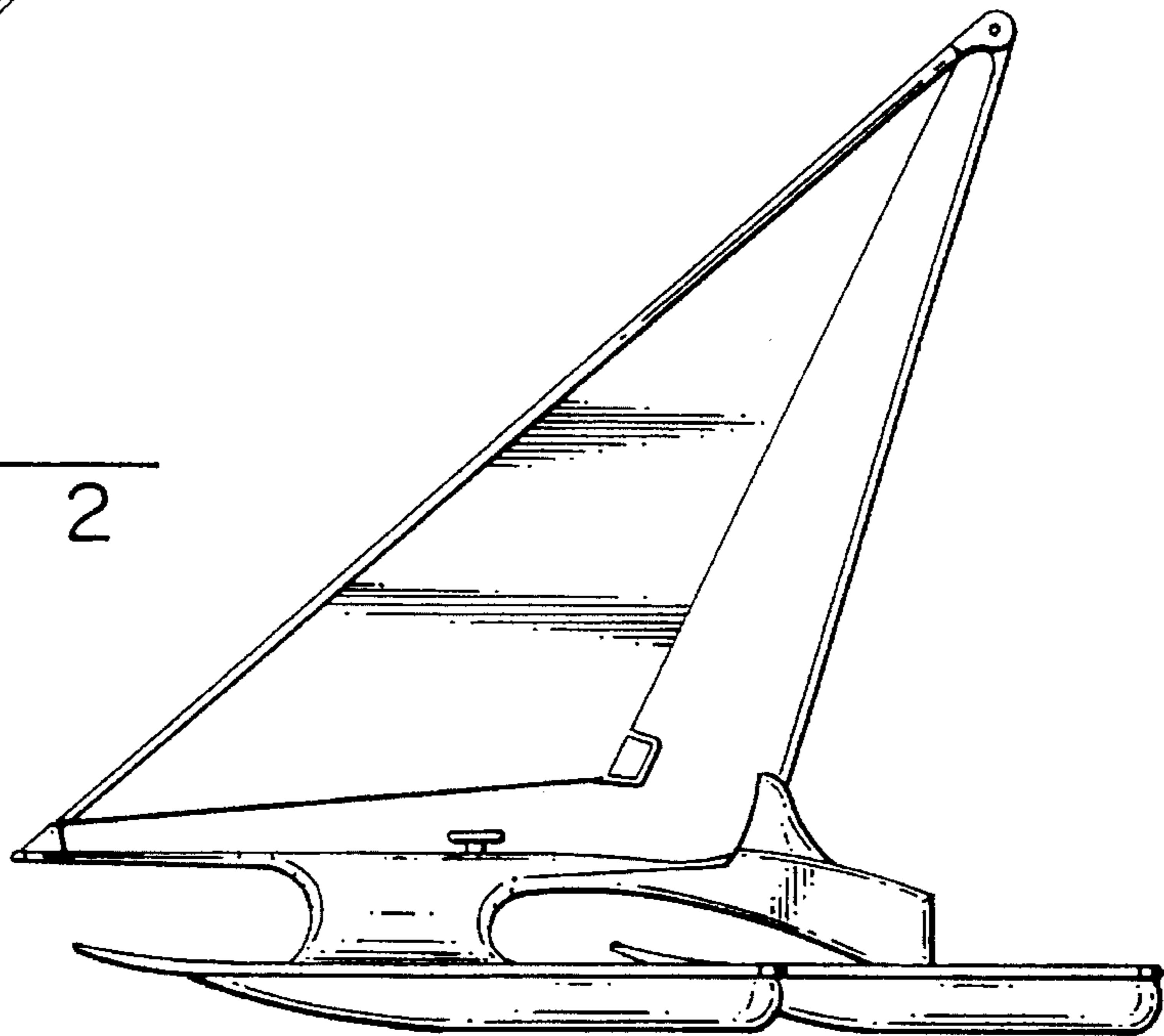
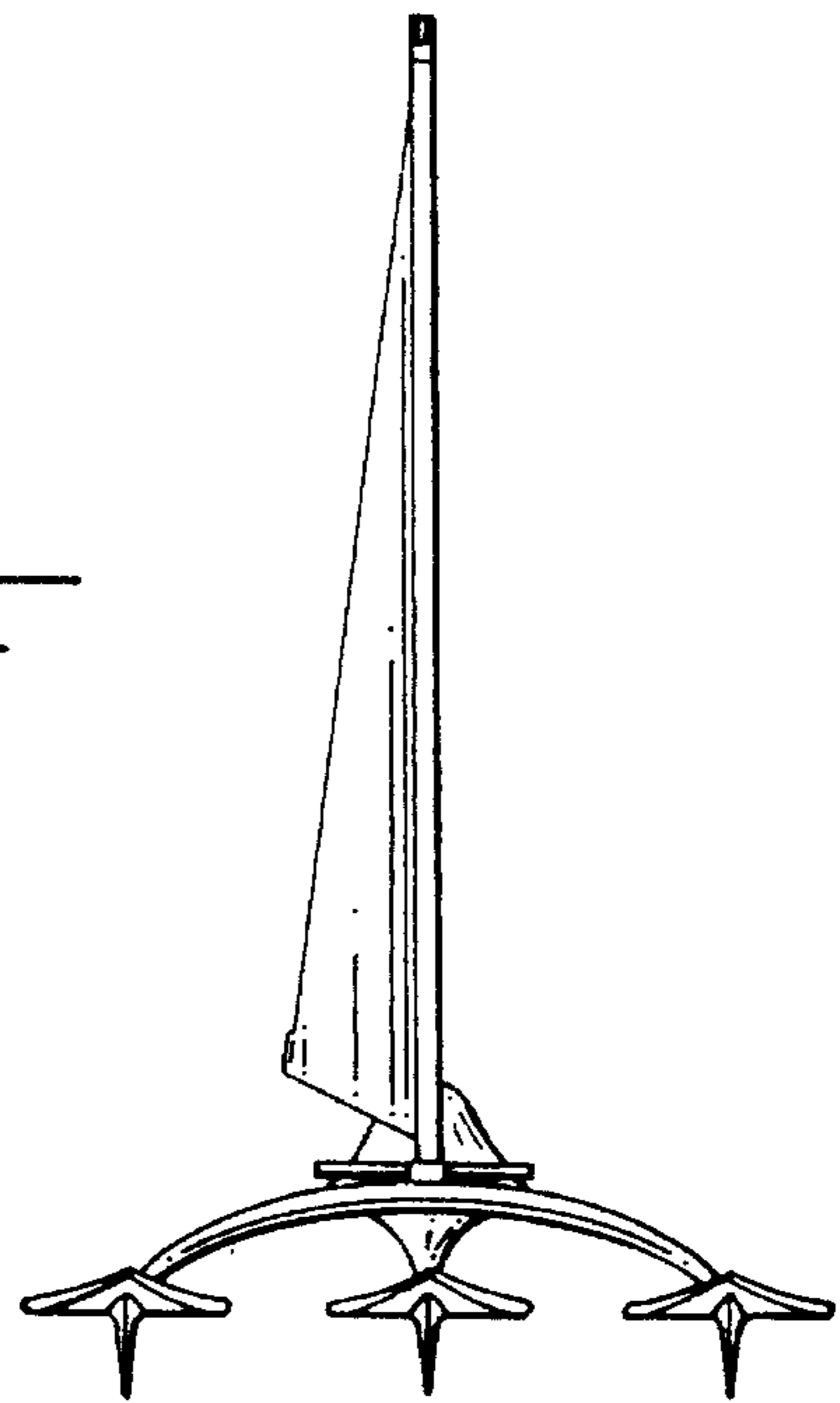
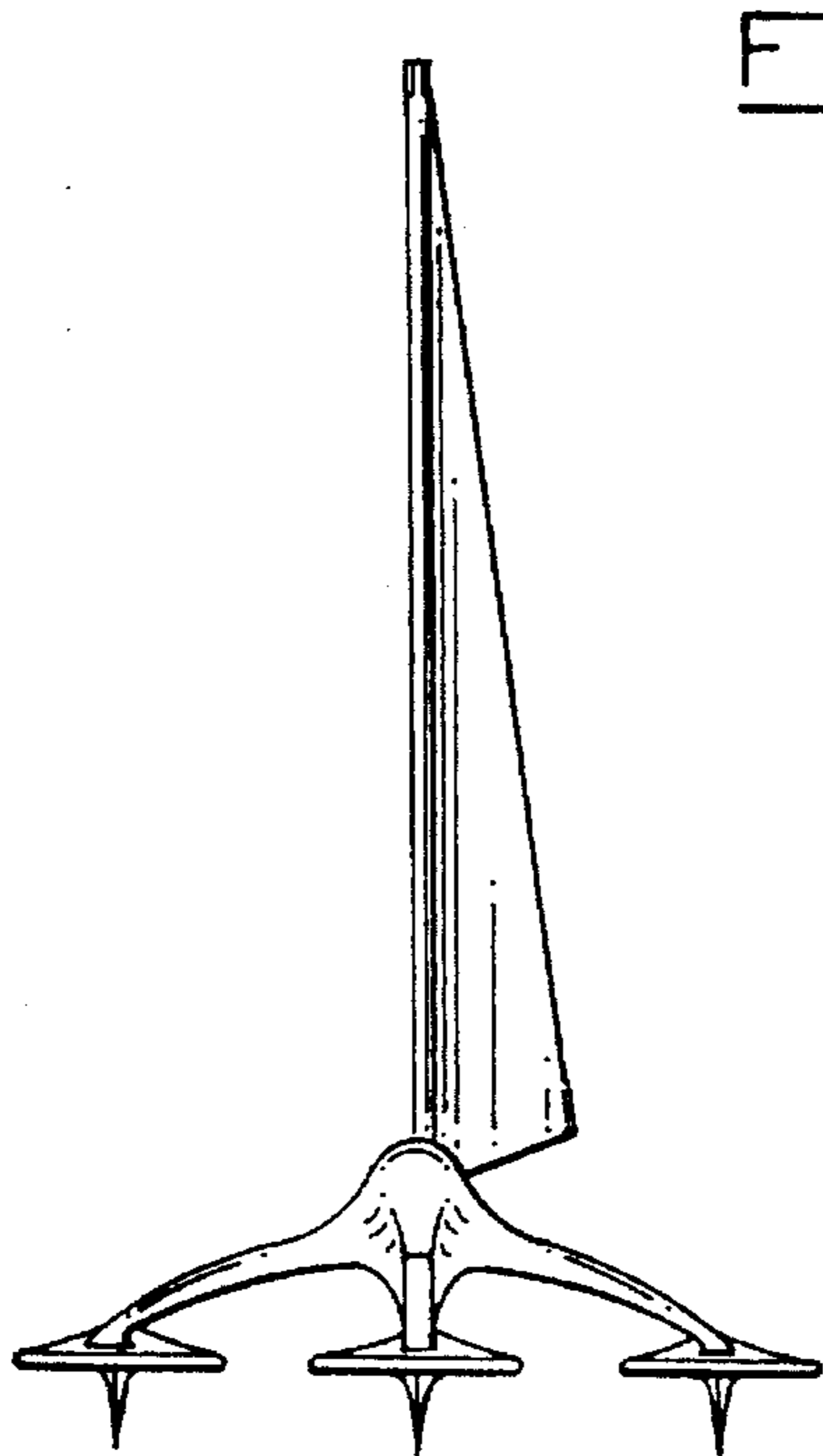
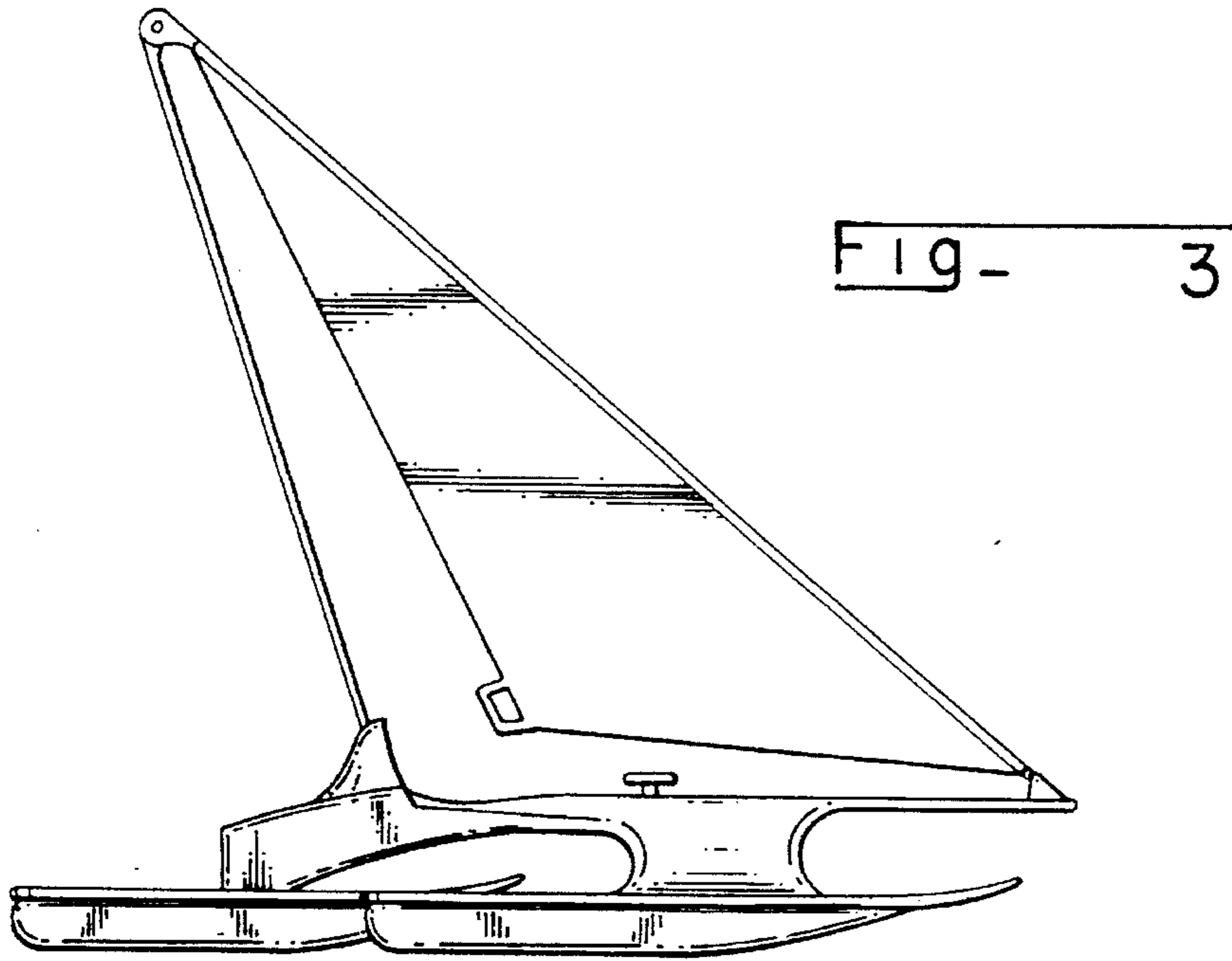


FIG - 1

FIG - 2





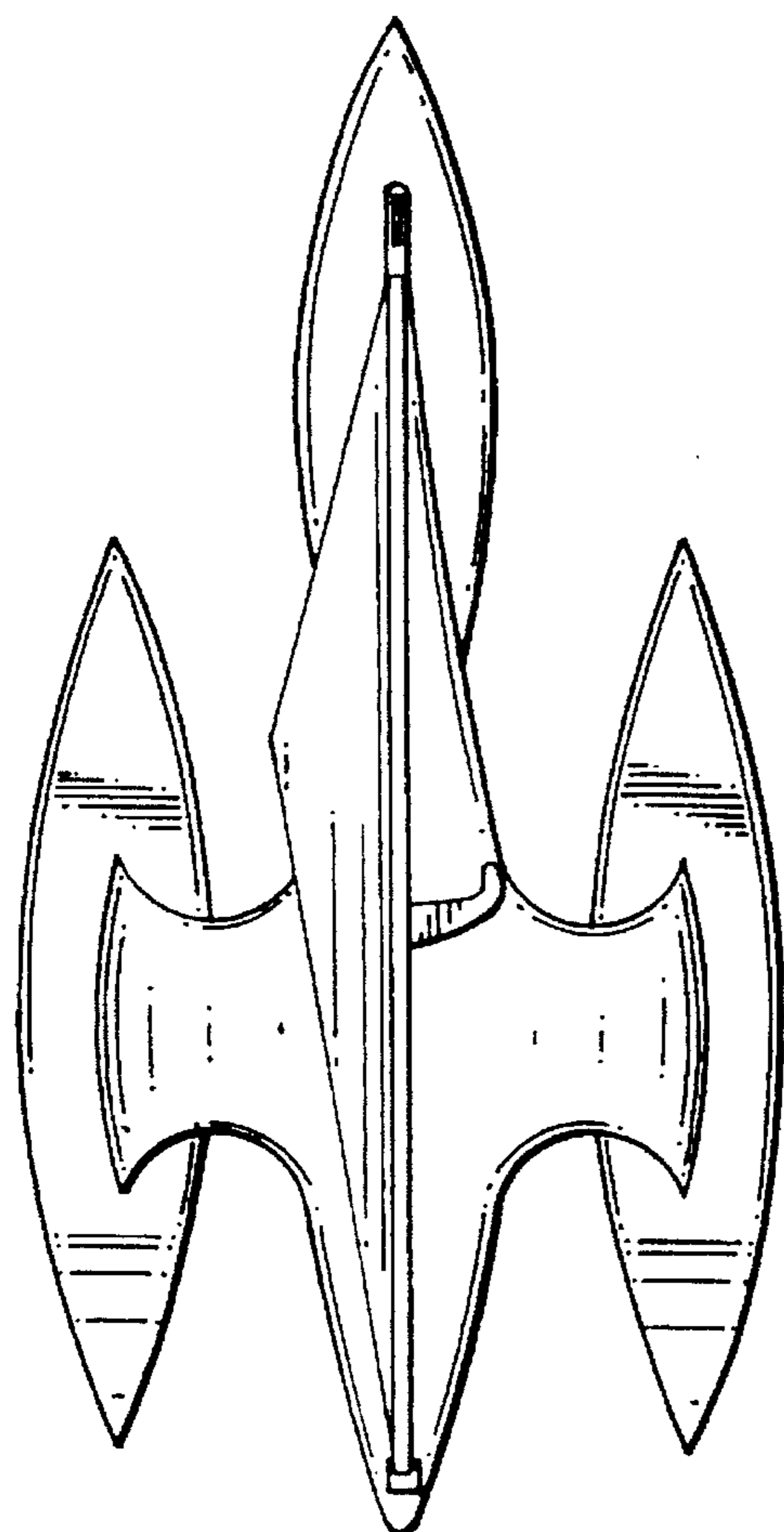


FIG - 6

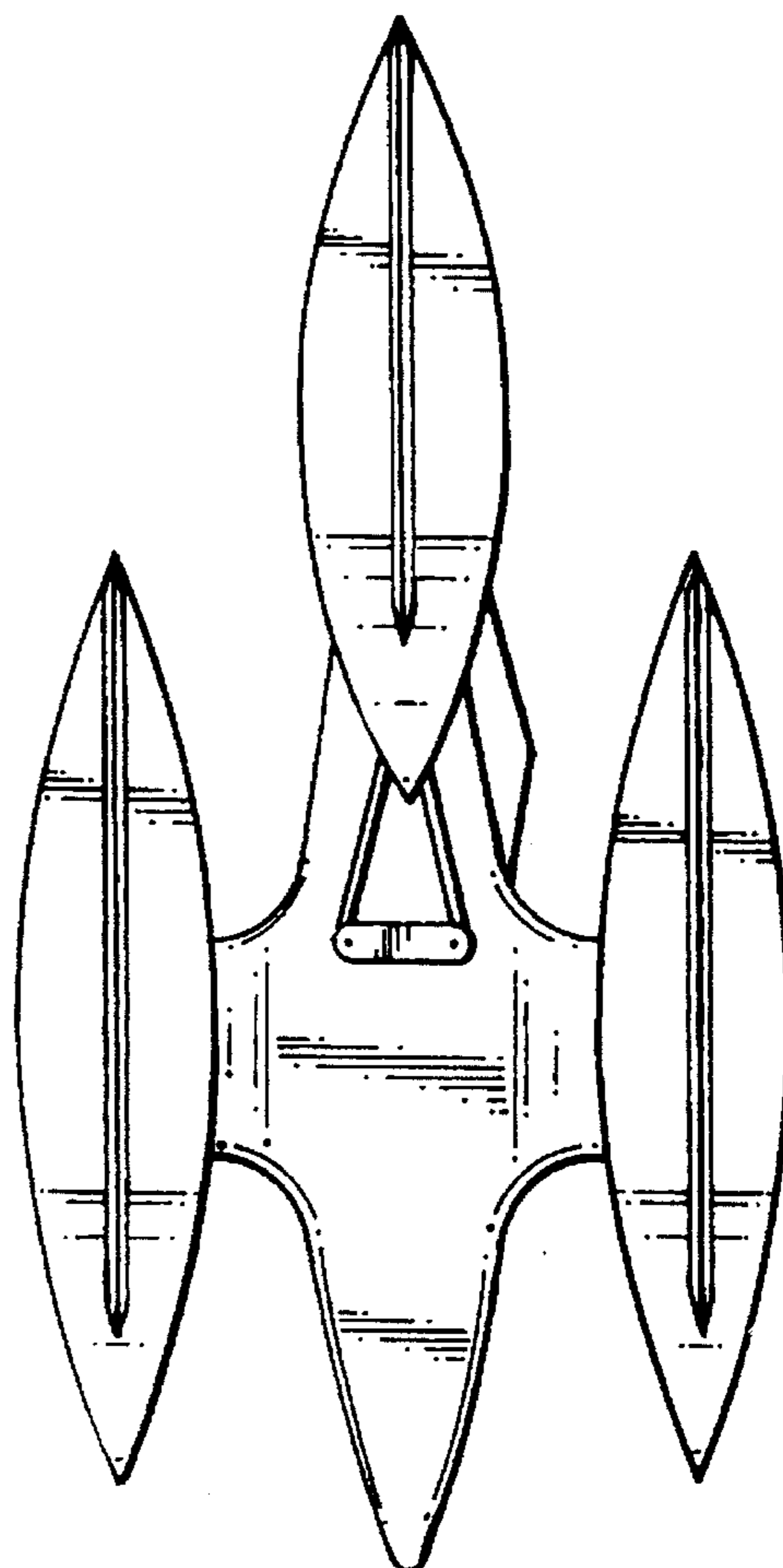


FIG - 7