



US00D370877S

United States Patent [19]

[11] Patent Number: **Des. 370,877**

Trujillo

[45] Date of Patent: ****Jun. 18, 1996**

[54] **OXYGEN CARRIER ATTACHMENT FOR WALKERS**

[57] **CLAIM**

[76] Inventor: **Carlos Trujillo**, 3078 S. Winona St., Denver, Colo. 80236

The ornamental design for a oxygen carrier attachment for walkers, as shown and described.

[**] Term: **14 Years**

DESCRIPTION

[21] Appl. No.: **35,967**

FIG. 1 is a perspective view of an oxygen carrier attachment for walker showing my new design, the broken lines are for illustrative purposes only and form no part of the claimed design;

[22] Filed: **Mar. 10, 1995**

FIG. 2 is a side elevational view thereof;

[52] U.S. Cl. **D12/133**

FIG. 3 is a top plan view thereof;

[58] Field of Search D34/12-27; 280/47.29, 280/652, 654

FIG. 4 is a side elevational view thereof in exploded condition;

[56] References Cited

U.S. PATENT DOCUMENTS

3,947,054	3/1976	Hall	280/47.29
4,896,897	1/1990	Wilhelm	280/47.29
5,002,304	3/1991	Carrigan, Jr.	280/47.29

FIG. 5 is a front view of the face plate;

FIG. 6 is a front view of the bracket;

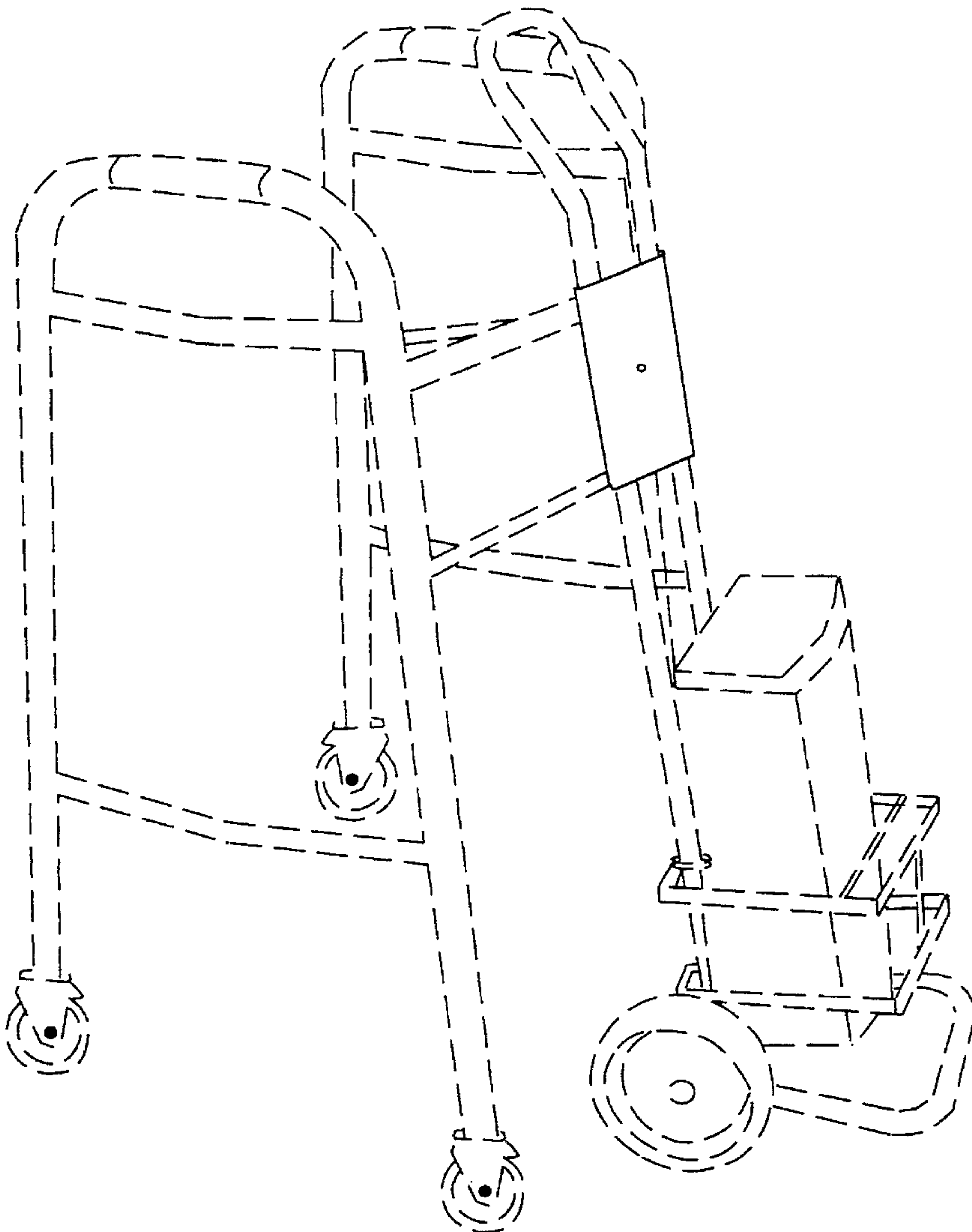
FIG. 7 is a side elevational view of the bracket;

FIG. 8 is a sectional view of the face plate along the line 8-8 of FIG. 5; and,

FIG. 9 is a bottom view of the bracket.

Primary Examiner—Kay H. Chin

1 Claim, 3 Drawing Sheets



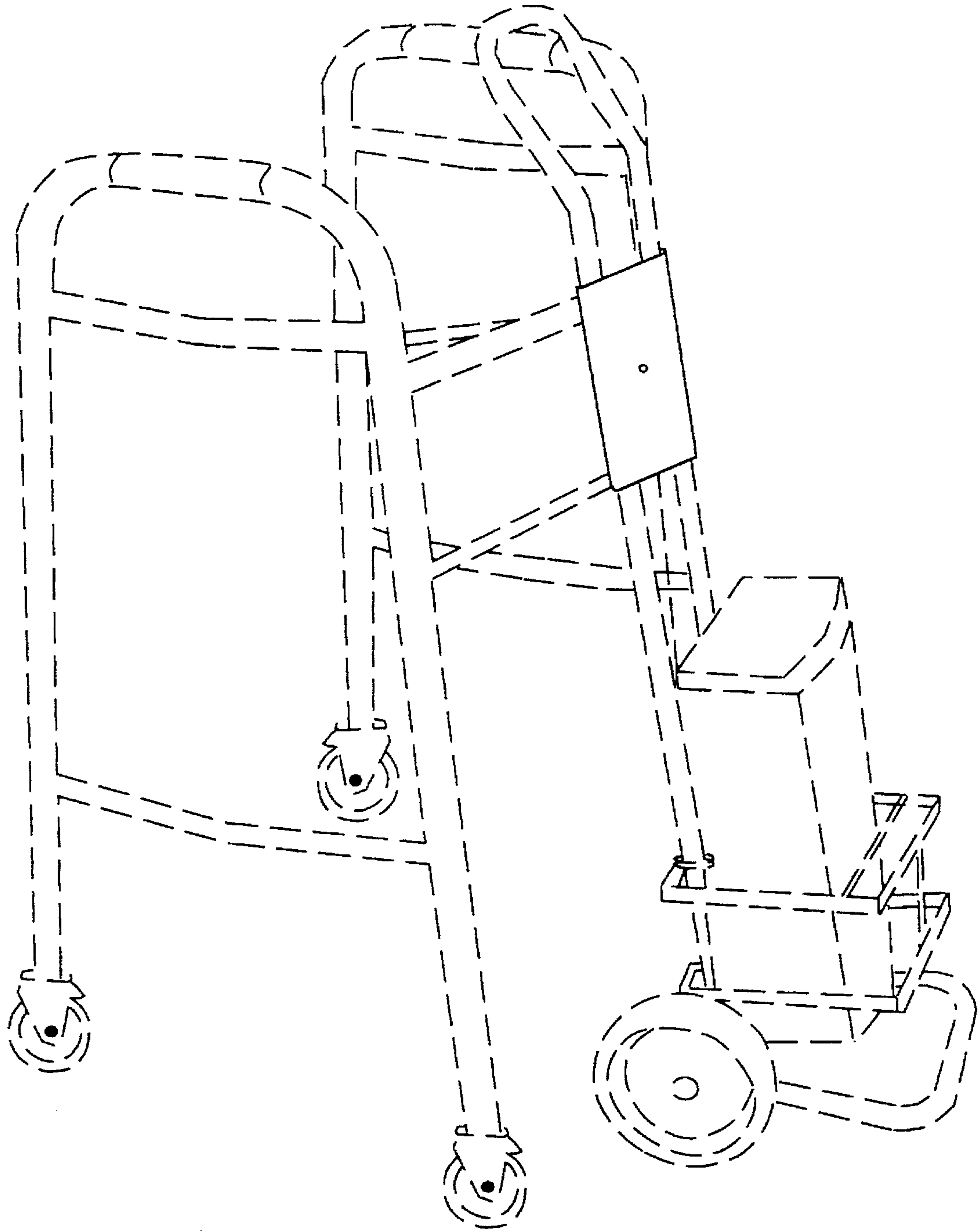


FIGURE 1

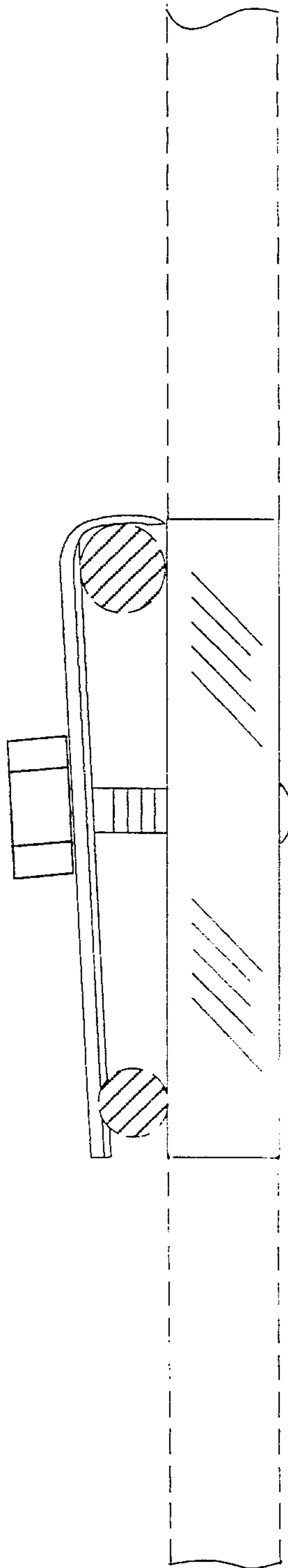


FIGURE 2

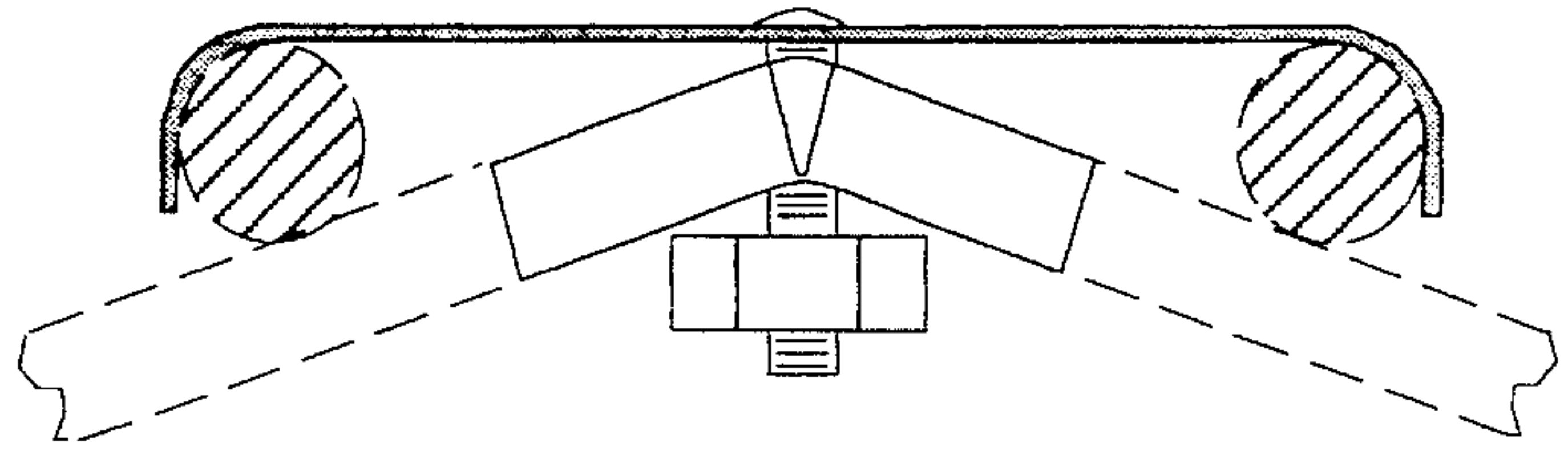


FIGURE 3

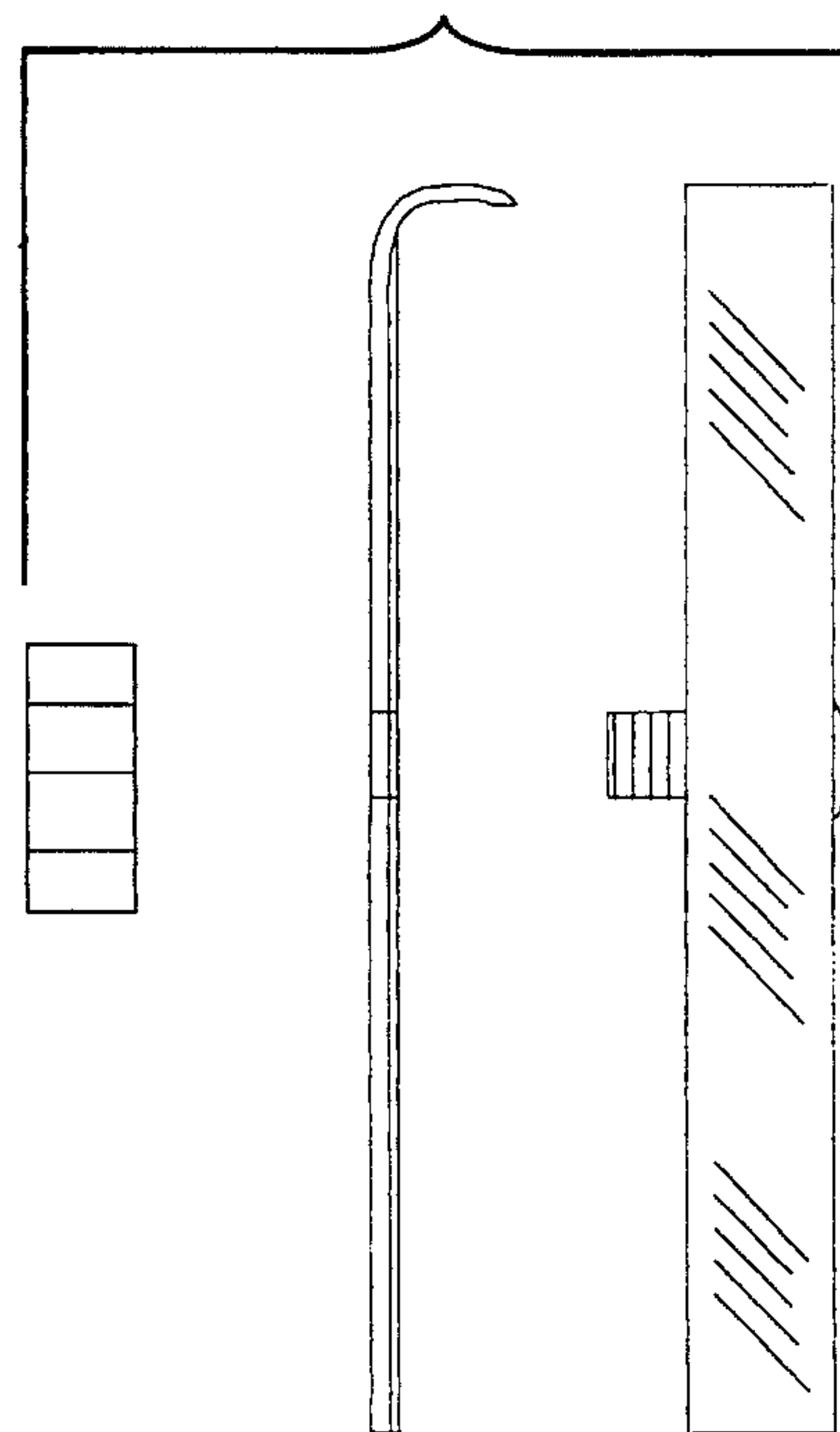


FIGURE 4

FIGURE 5

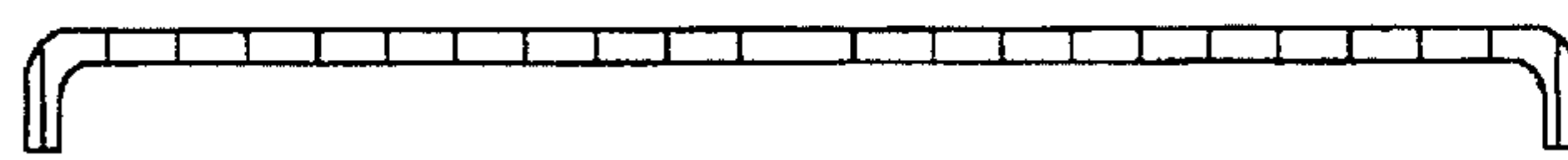
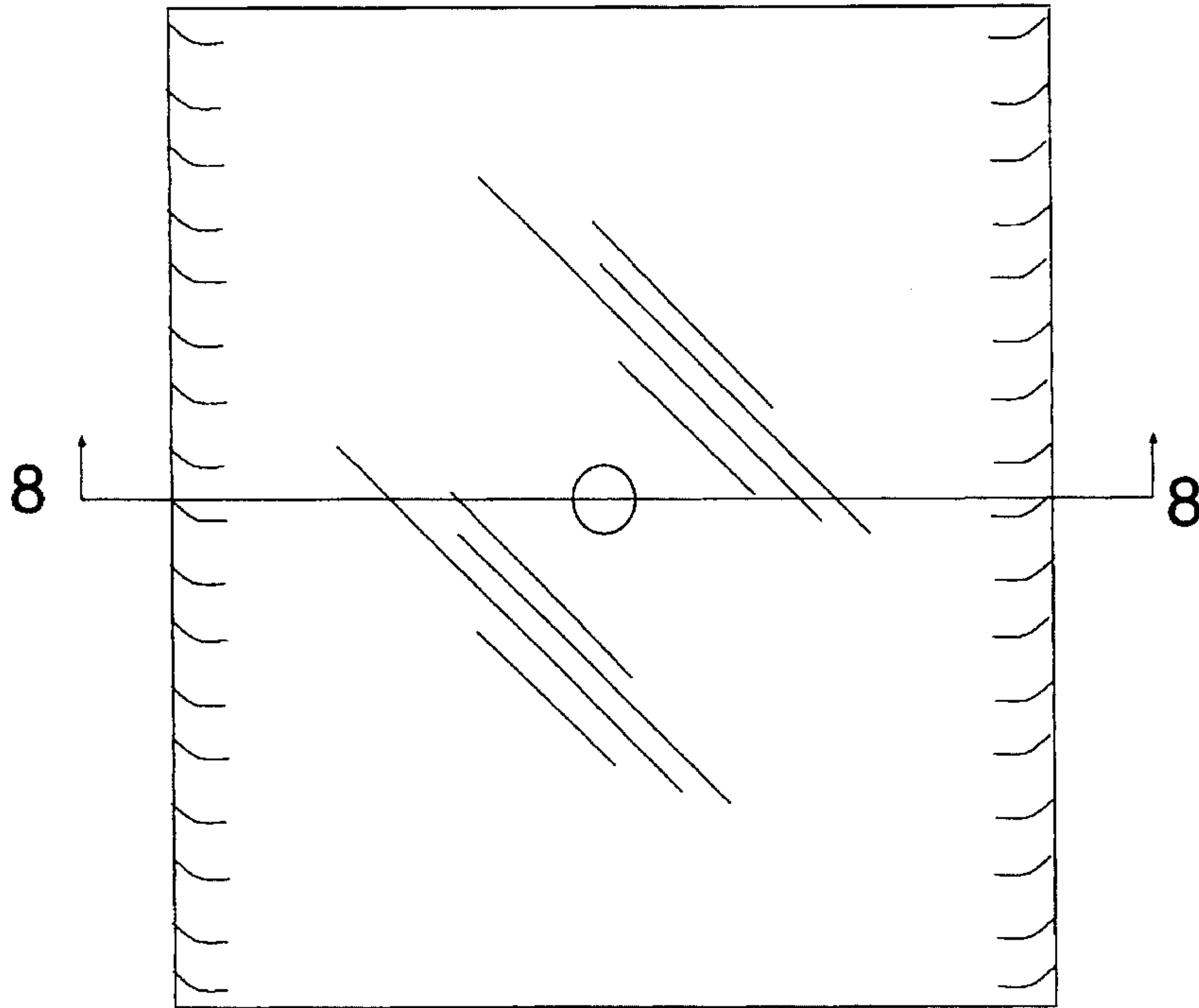


FIGURE 8

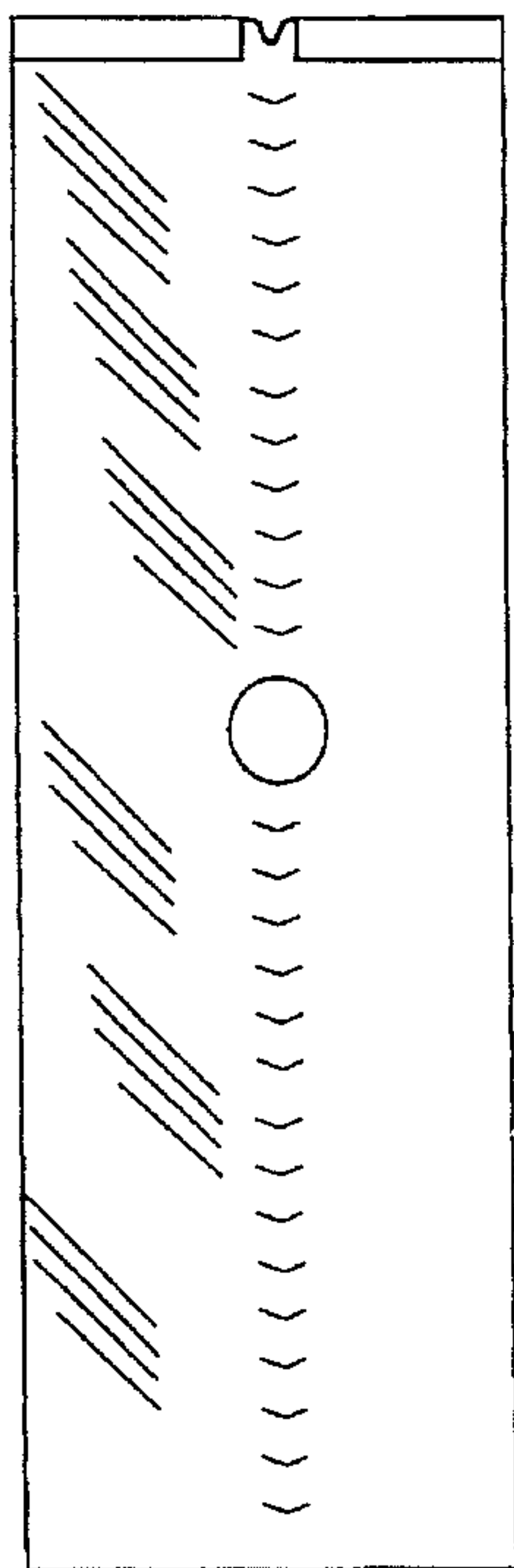


FIGURE 6



FIGURE 7

FIGURE 9

