



US00D370875S

United States Patent [19]

[11] Patent Number: **Des. 370,875**

McNeilus

[45] Date of Patent: ****Jun. 18, 1996**

[54] REFUSE HAULING VEHICLE

4,715,767 12/1987 Edelhoff et al. 414/408

[75] Inventor: **Garwin McNeilus**, Dodge Center, Minn.

Primary Examiner—Alan P. Douglas
Assistant Examiner—S. Snapp
Attorney, Agent, or Firm—Haugen and Nikolai

[73] Assignee: **McNeilus Truck and Manufacturing, Inc.**, Dodge Center, Minn.

[57] **CLAIM**

[**] Term: **14 Years**

The ornamental design of a refuse hauling vehicle, as shown and described.

[21] Appl. No.: **35,750**

DESCRIPTION

[22] Filed: **Mar. 6, 1995**

[52] U.S. Cl. **D12/15**

[58] Field of Search D12/15, 93; D34/3;
100/100; 296/183; 414/406, 408

FIG. 1 is a perspective view of a refuse hauling vehicle showing my new design with its dumpster tipping arm assembly in its elevated disposition;

FIG. 2 is a left side elevation thereof; the right side being the same as the left side shown;

FIG. 3 is a rear view thereof;

FIG. 4 is a front view thereof with its dumpster tipping arm assembly in its lowered disposition; and,

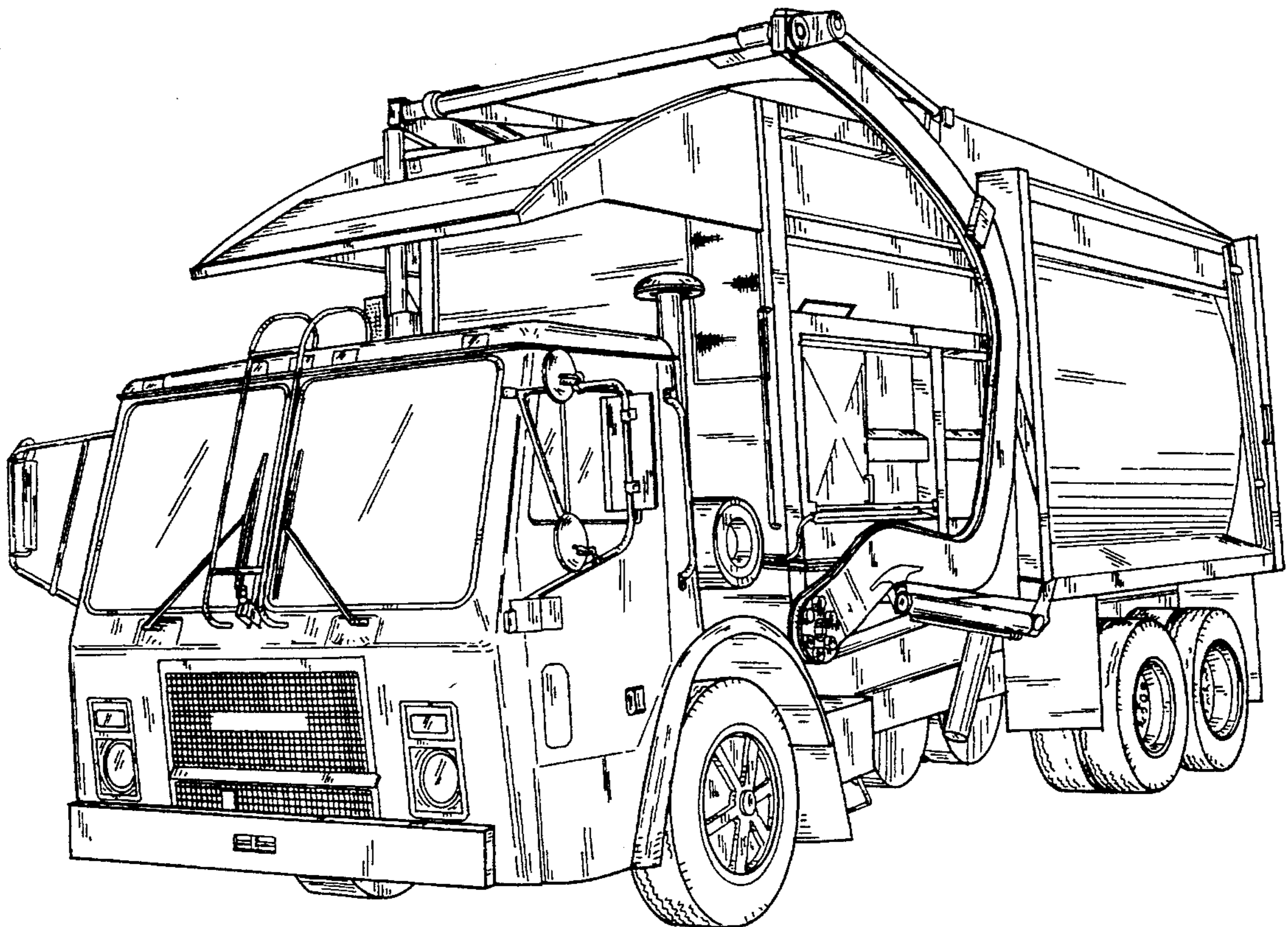
FIG. 5 is a top plan view thereof.

[56] **References Cited**

U.S. PATENT DOCUMENTS

D. 294,586	3/1988	Hund, Jr.	D12/15 X
D. 296,773	7/1988	Hamlet et al.	D12/15
4,230,359	10/1980	Smith	414/408 X
4,691,959	9/1987	Verner	D12/15 X

1 Claim, 5 Drawing Sheets



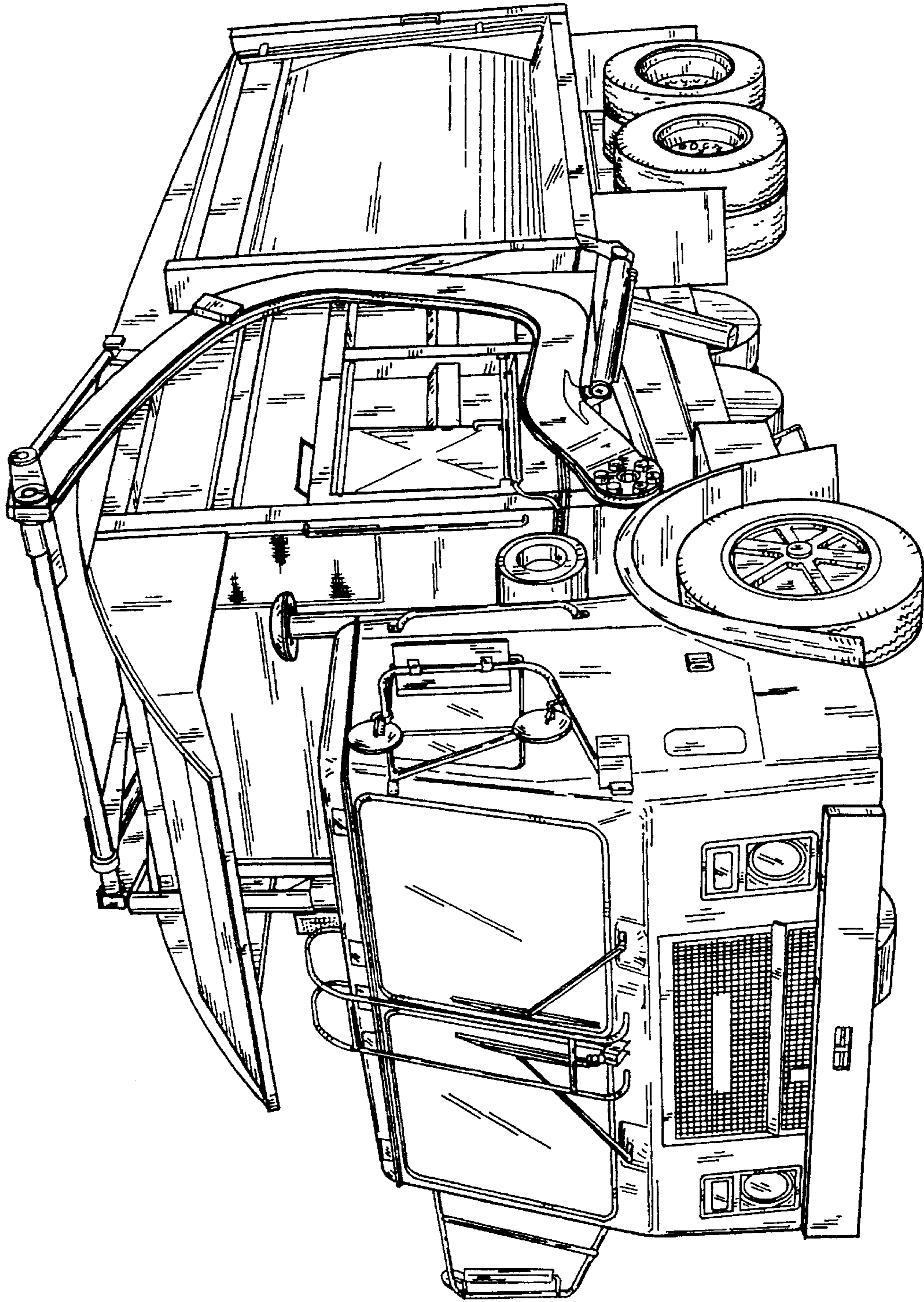


FIG. 1

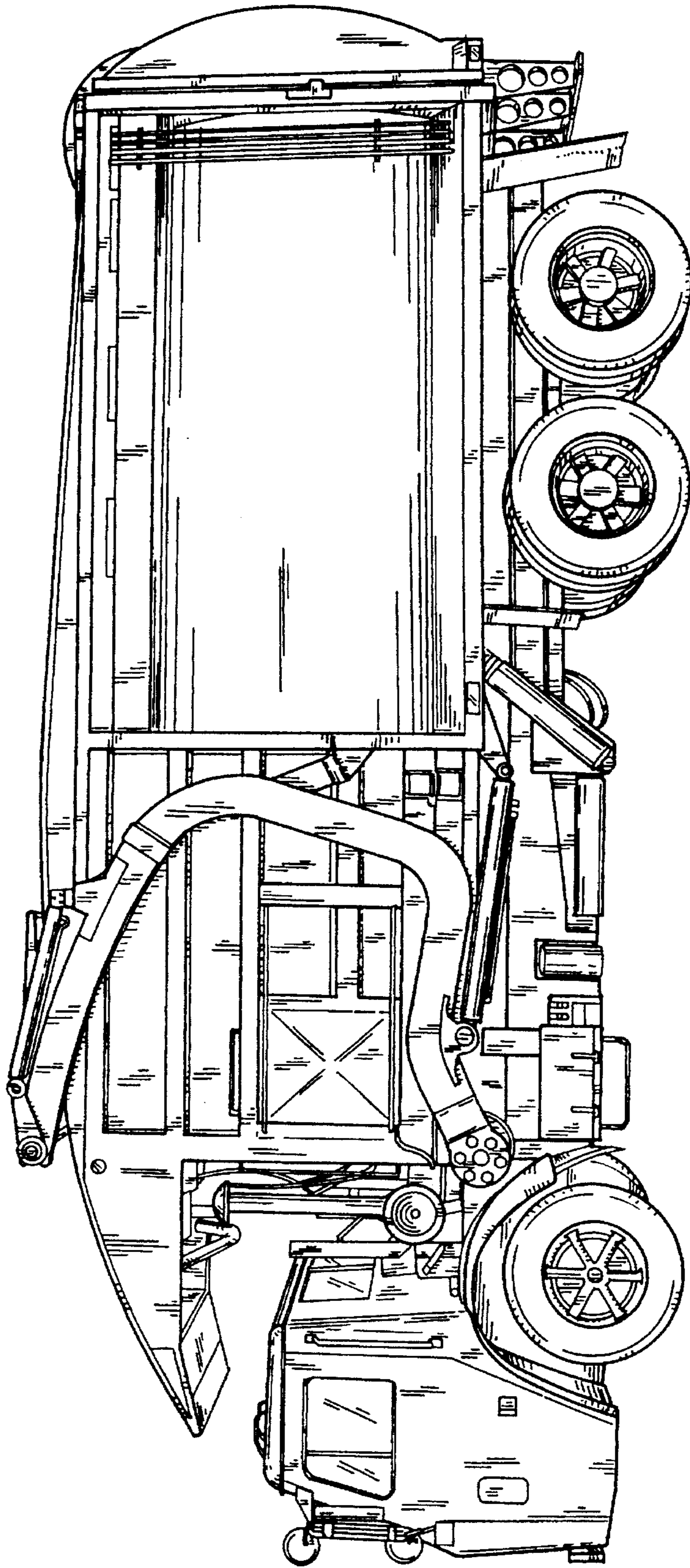


FIG. 2

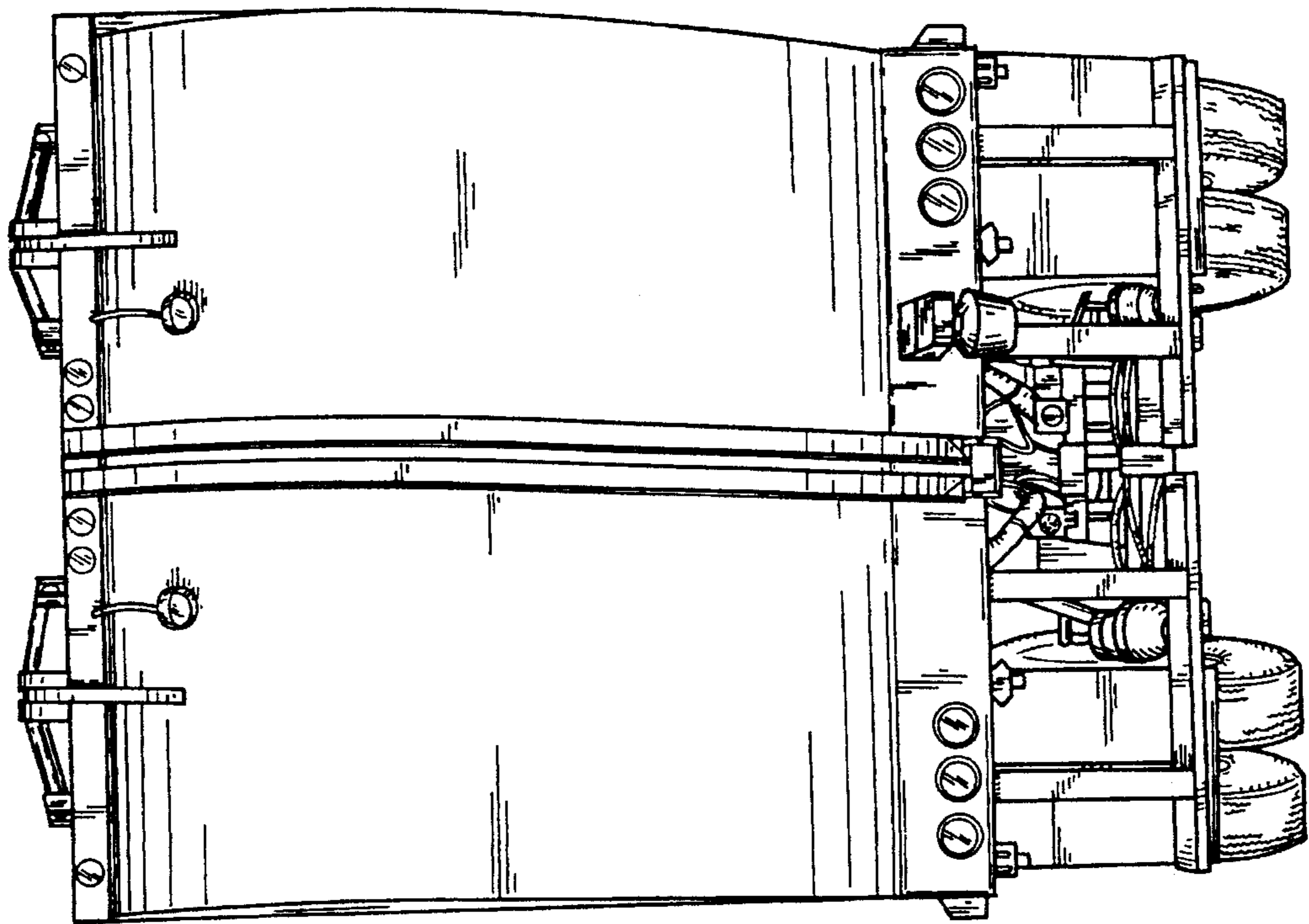


FIG. 3

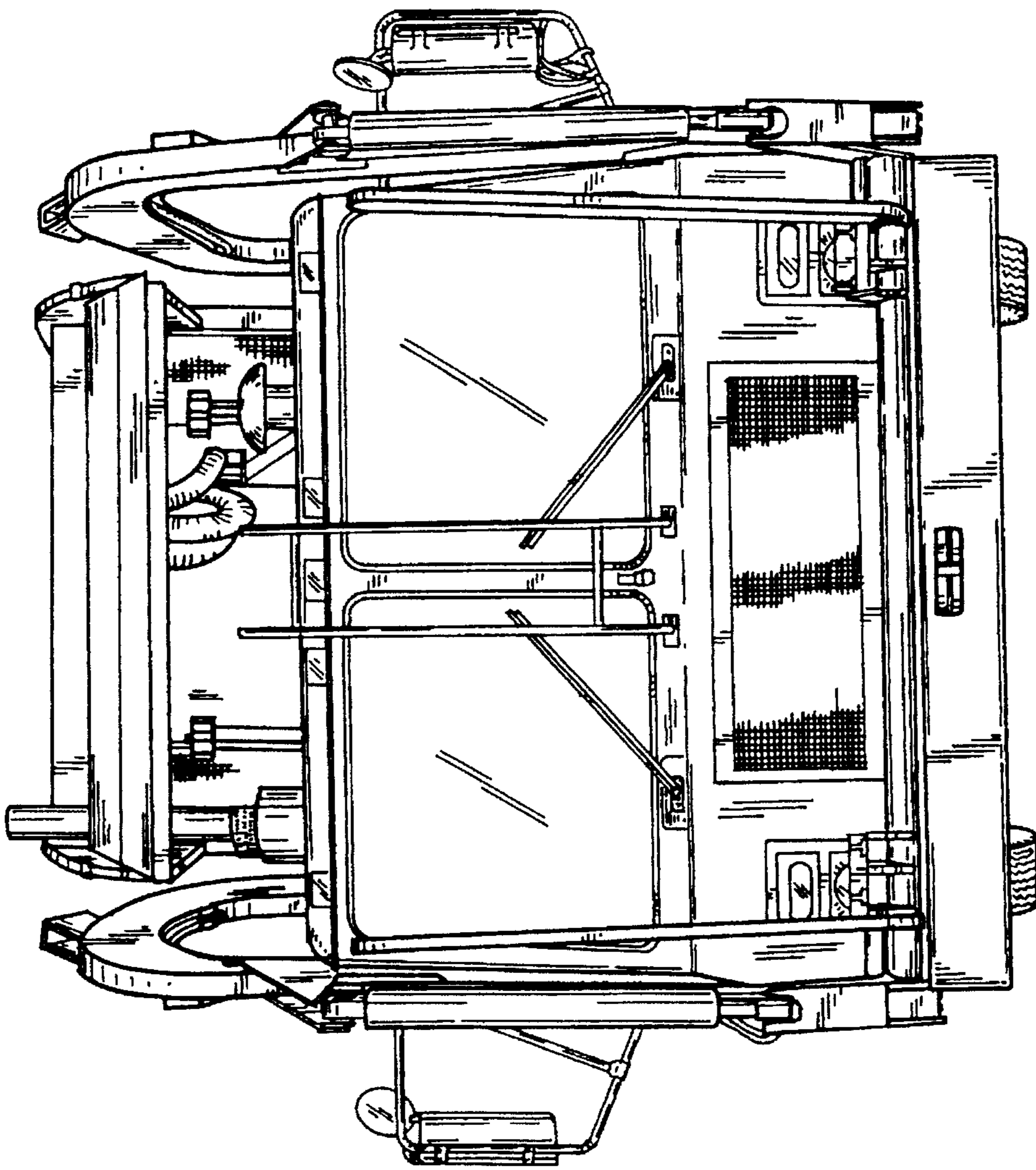


FIG. 4

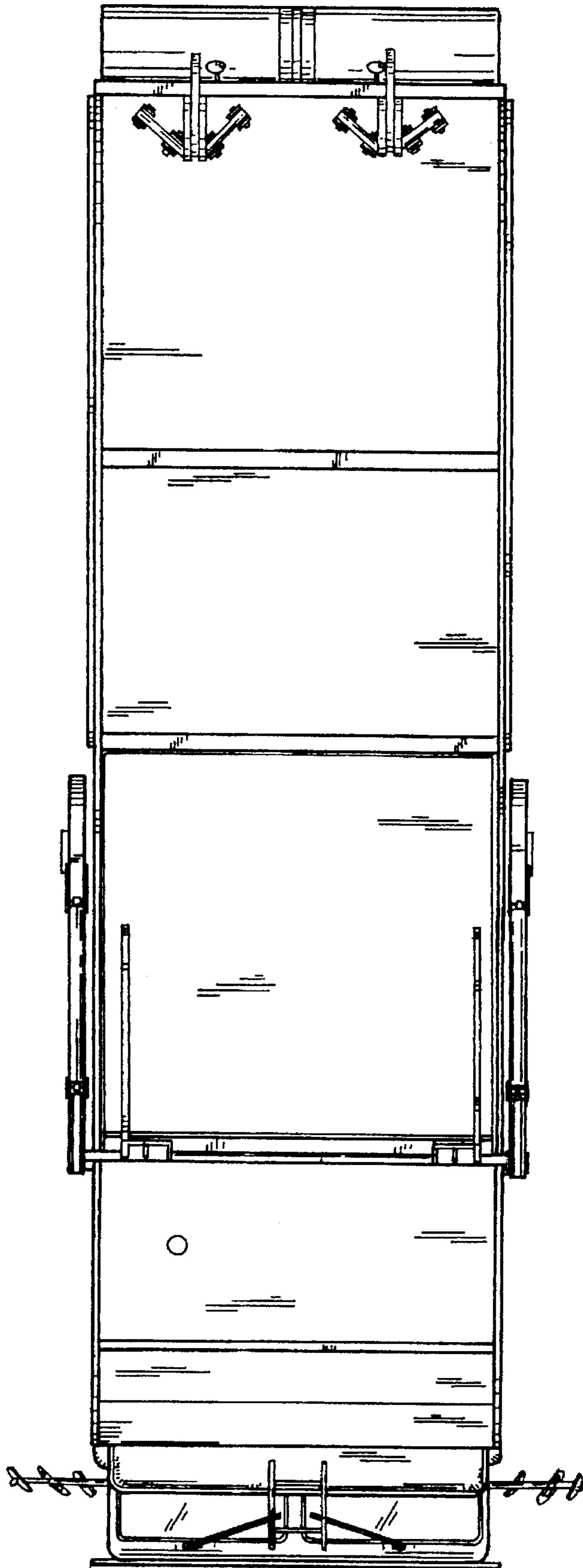


FIG. 5